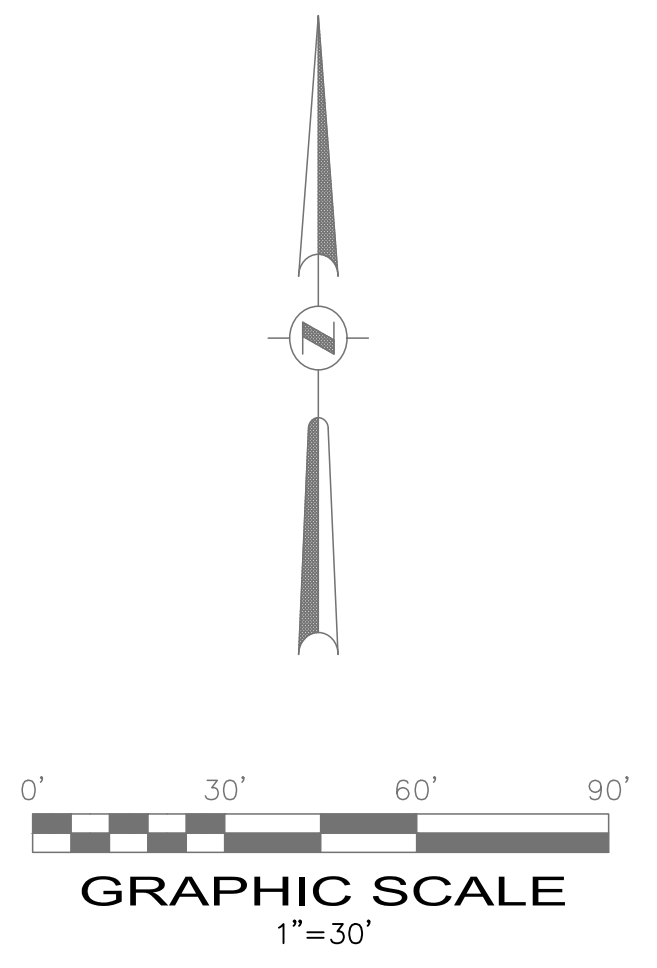
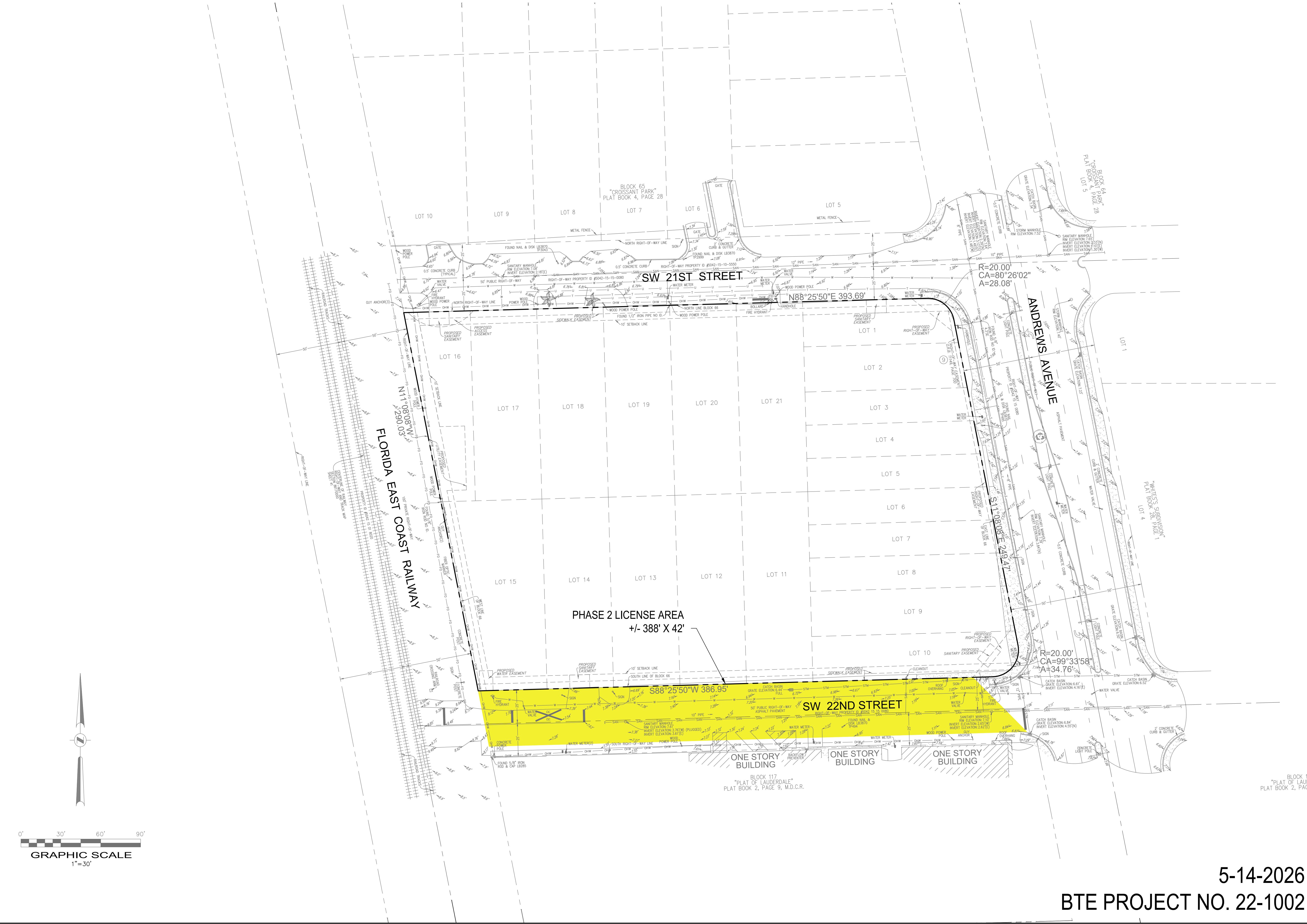


5-14-2026
BTE PROJECT NO. 22-1002



5-14-2026
BTE PROJECT NO. 22-1002