

**Kimley»Horn**  
 1920 WEKIVA WAY #200  
 WEST PALM BEACH, FL 33411  
 PHONE: 561-945-0665 FAX:  
 561-530-5245  
 WWW.KIMLEY-HORN.COM  
 REGISTRY 096  
 © 2023 KIMLEY-HORN AND  
 ASSOCIATES, INC.

REAL:  
 JONATHAN D. HAIGH, PLA  
 STATE LICENSE NUMBER  
 LA #6666795  
 06/30/2022

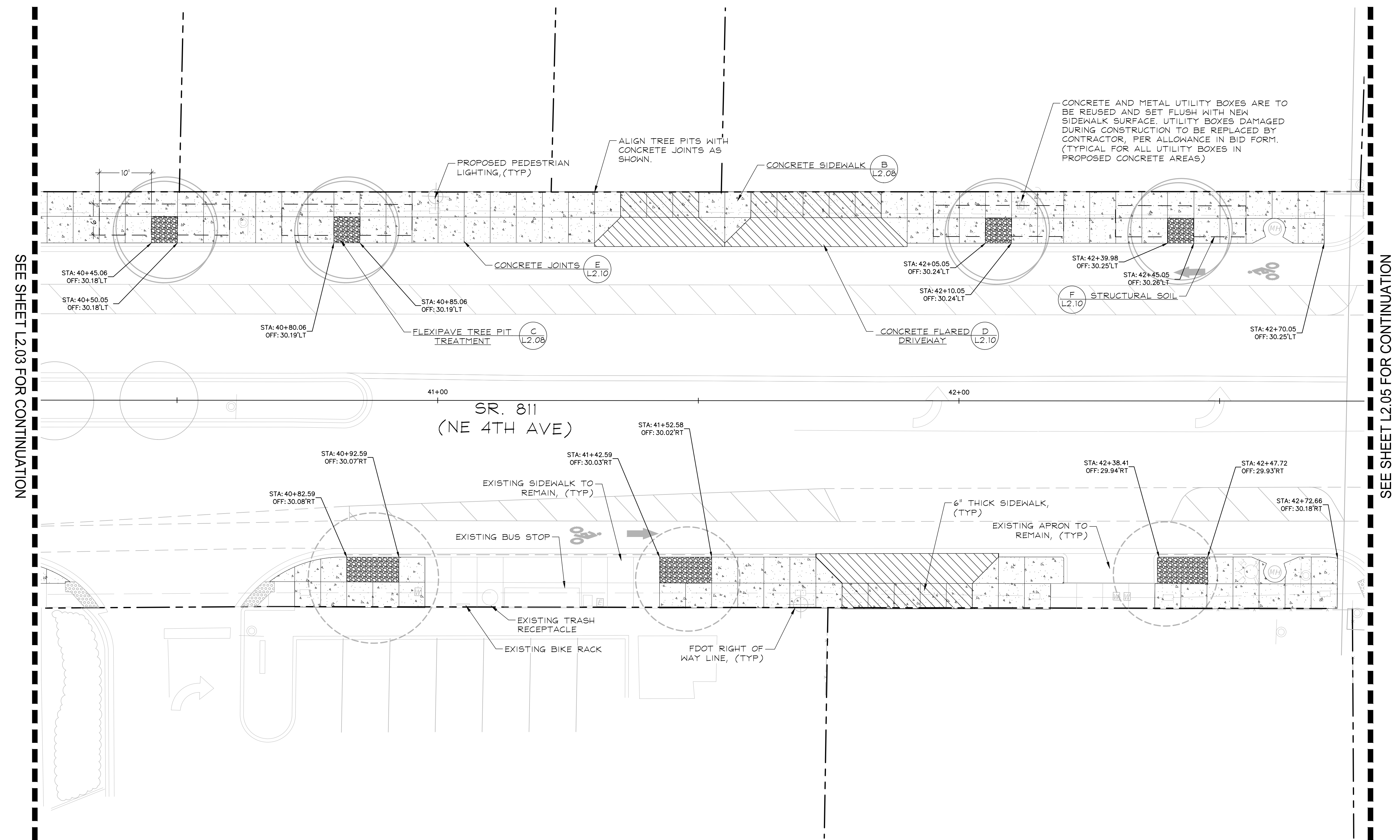
DRAWN BY: DATE: 07/01/2021  
 DESIGNED BY: SCALE: AS SHOWN  
 CHECKED BY:  
 FIELD BOOK:

CITY OF FORT LAUDERDALE  
 TRANSPORTATION  
 &  
 MOBILITY  
  
 290 NE 3RD AVE., FORT LAUDERDALE, FL 33301

REVISIONS		NO.	DATE	BY	CHK'D	DESCRIPTION

PROJECT # 12557  
 NE 4TH AVENUE STREETScape PROJECT  
 E SUNRISE BLVD TO NE 13TH ST  
 FORT LAUDERDALE, FL  
 HARDScape PLAN

SHEET NO.  
**L2.04**



SEE SHEET L2.03 FOR CONTINUATION

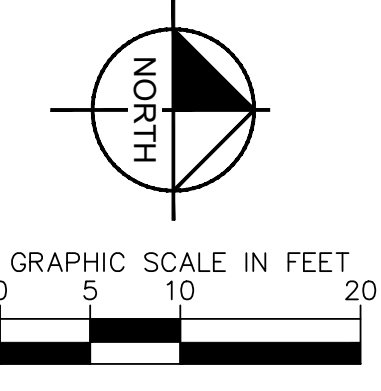
SEE SHEET L2.05 FOR CONTINUATION

Plotted By: Hargrett, Tom Sheet Set: NE 4th Avenue Layout: L2.04 HARDScape PLAN June 29, 2022 09:10:52am K:\WPB\_LRG\_04\194061 - NE 4th AVE FTL CAD\Drawings\L2.00 HARDScape PLAN.dwg



SEE SHEET L2.04 FOR CONTINUATION

SEE SHEET L2.06 FOR CONTINUATION



**KimleyHorn**  
 1920 WEKIVA WAY #200  
 WEST PALM BEACH, FL 33411  
 PHONE: 561-945-0665 FAX: 561-930-2245  
 WWW.KIMLEY-HORN.COM  
 REGISTRY 096  
 © 2022 KIMLEY-HORN AND ASSOCIATES, INC.

REAL: JONATHAN D. HAIGH, PLA  
 STATE LICENSE NUMBER LA #6666795  
 06/30/2022

DRAWN BY: DATE: 07/01/2021  
 DESIGNED BY: SCALE: AS SHOWN  
 CHECKED BY: FIELD BOOK:

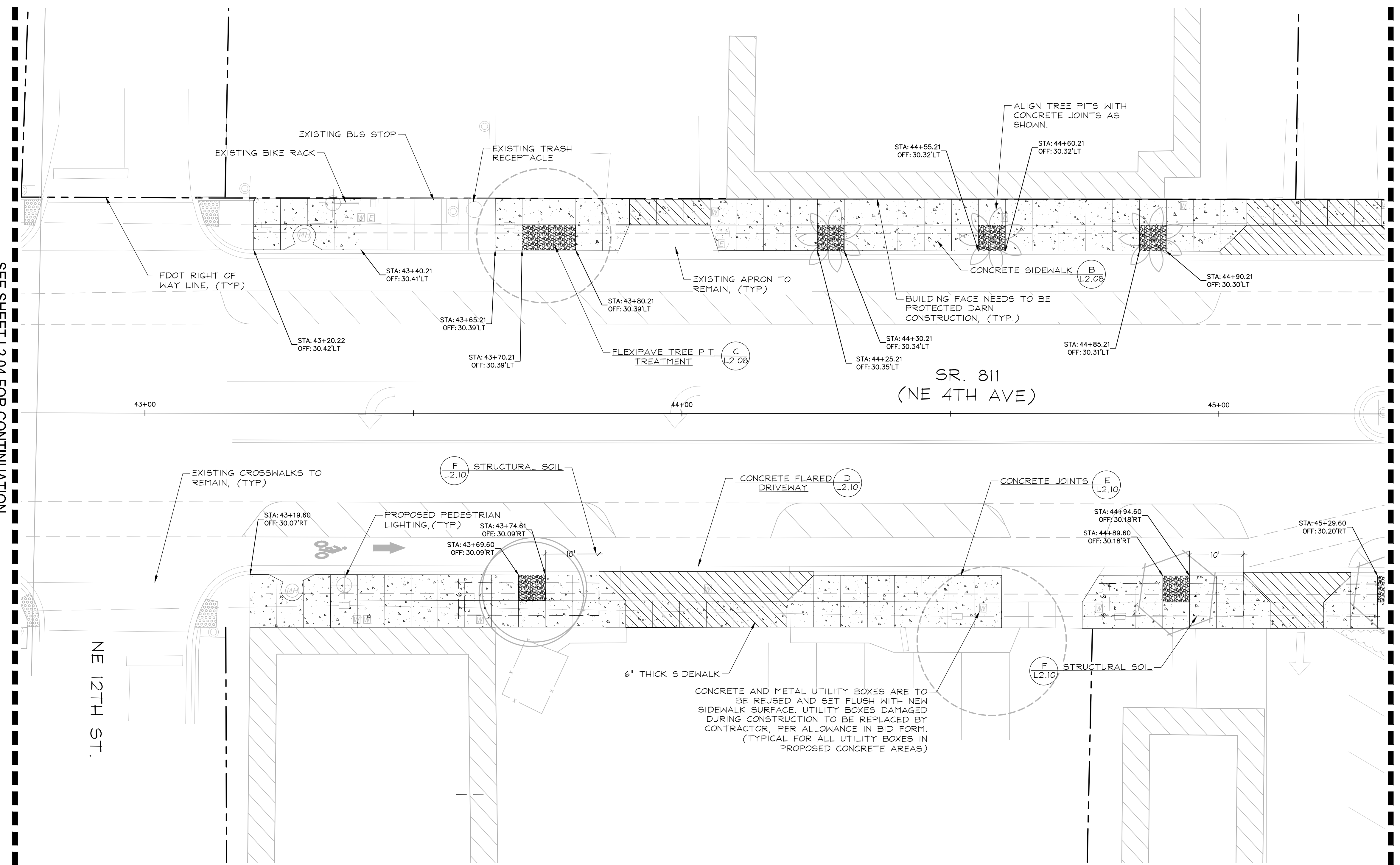
CITY OF FORT LAUDERDALE  
 TRANSPORTATION & MOBILITY

290 NE 3RD AVE., FORT LAUDERDALE, FL 33301

NO.	DATE	BY	CHK'D	DESCRIPTION

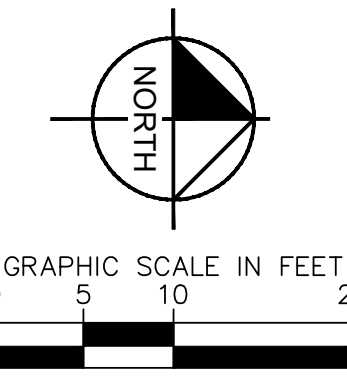
PROJECT # 12557  
 NE 4TH AVENUE STREETSCAPE PROJECT  
 E SUNRISE BLVD TO NE 13TH ST  
 FORT LAUDERDALE, FL  
 HARDSCAPE PLAN

SHEET NO.  
**L2.05**



6" THICK SIDEWALK  
 CONCRETE AND METAL UTILITY BOXES ARE TO BE REUSED AND SET FLUSH WITH NEW SIDEWALK SURFACE. UTILITY BOXES DAMAGED DURING CONSTRUCTION TO BE REPLACED BY CONTRACTOR, PER ALLOWANCE IN BID FORM. (TYPICAL FOR ALL UTILITY BOXES IN PROPOSED CONCRETE AREAS)





**KimleyHorn**  
1920 WEKIVA WAY #200  
WEST PALM BEACH, FL 33411  
PHONE: 561-945-0665 FAX:  
561-530-5245  
WWW.KIMLEY-HORN.COM  
REGISTRY 096  
© 2023 KIMLEY-HORN AND  
ASSOCIATES, INC.

REAL:  
JONATHAN D. HAIGH, PLA  
STATE LICENSE NUMBER  
LA #6666795  
06/30/2022

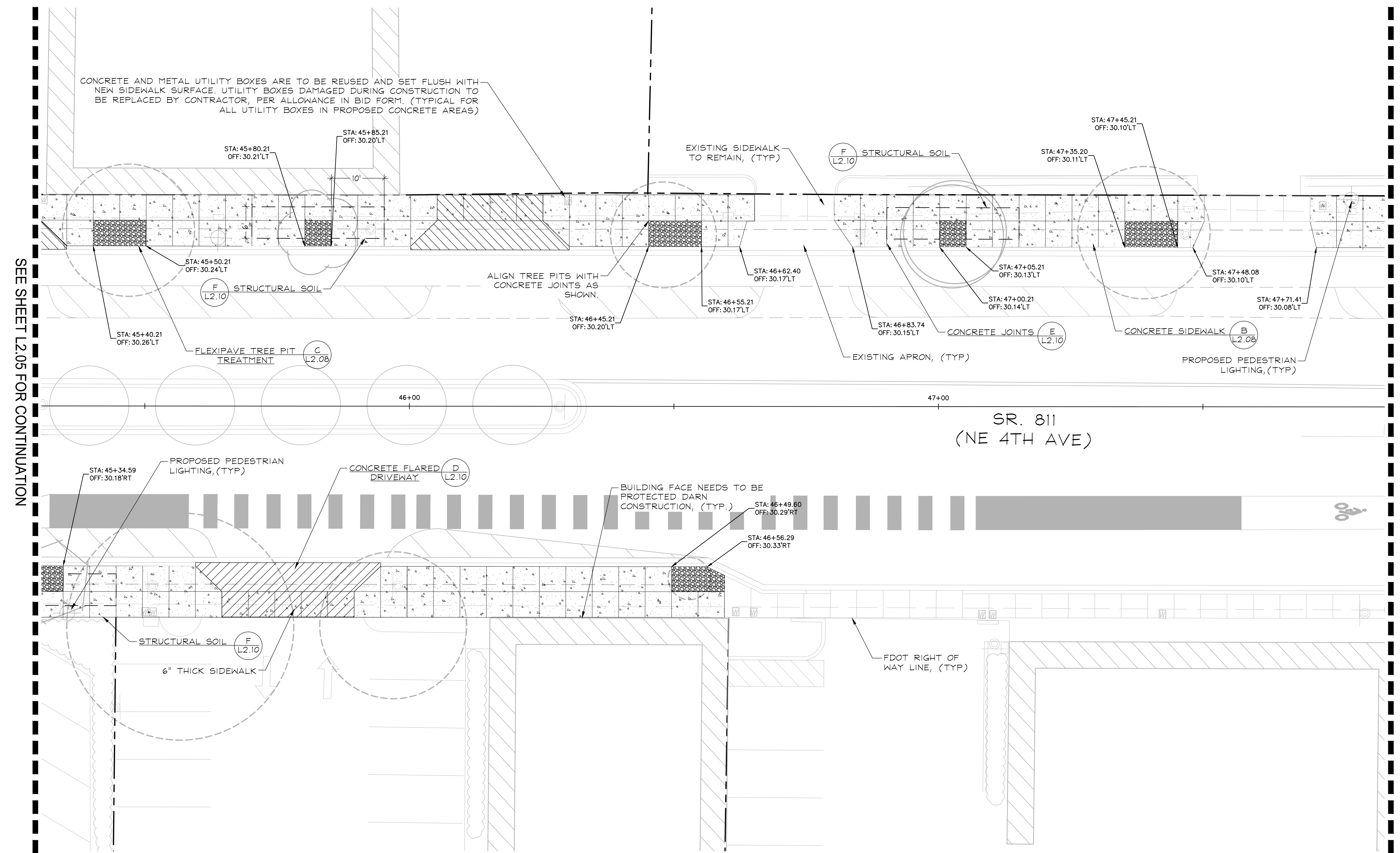
DRAWN BY: DATE: 07/01/2021  
DESIGNED BY: SCALE: AS SHOWN  
CHECKED BY:  
FIELD BOOK:

CITY OF FORT LAUDERDALE  
TRANSPORTATION  
&  
MOBILITY  
  
290 NE 3RD AVE., FORT LAUDERDALE, FL 33301

REVISIONS	
NO.	DESCRIPTION

PROJECT # 12557  
NE 4TH AVENUE STREETSCAPE PROJECT  
E SUNRISE BLVD TO NE 13TH ST  
FORT LAUDERDALE, FL  
HARDSCAPE PLAN

SHEET NO.  
**L2.06**



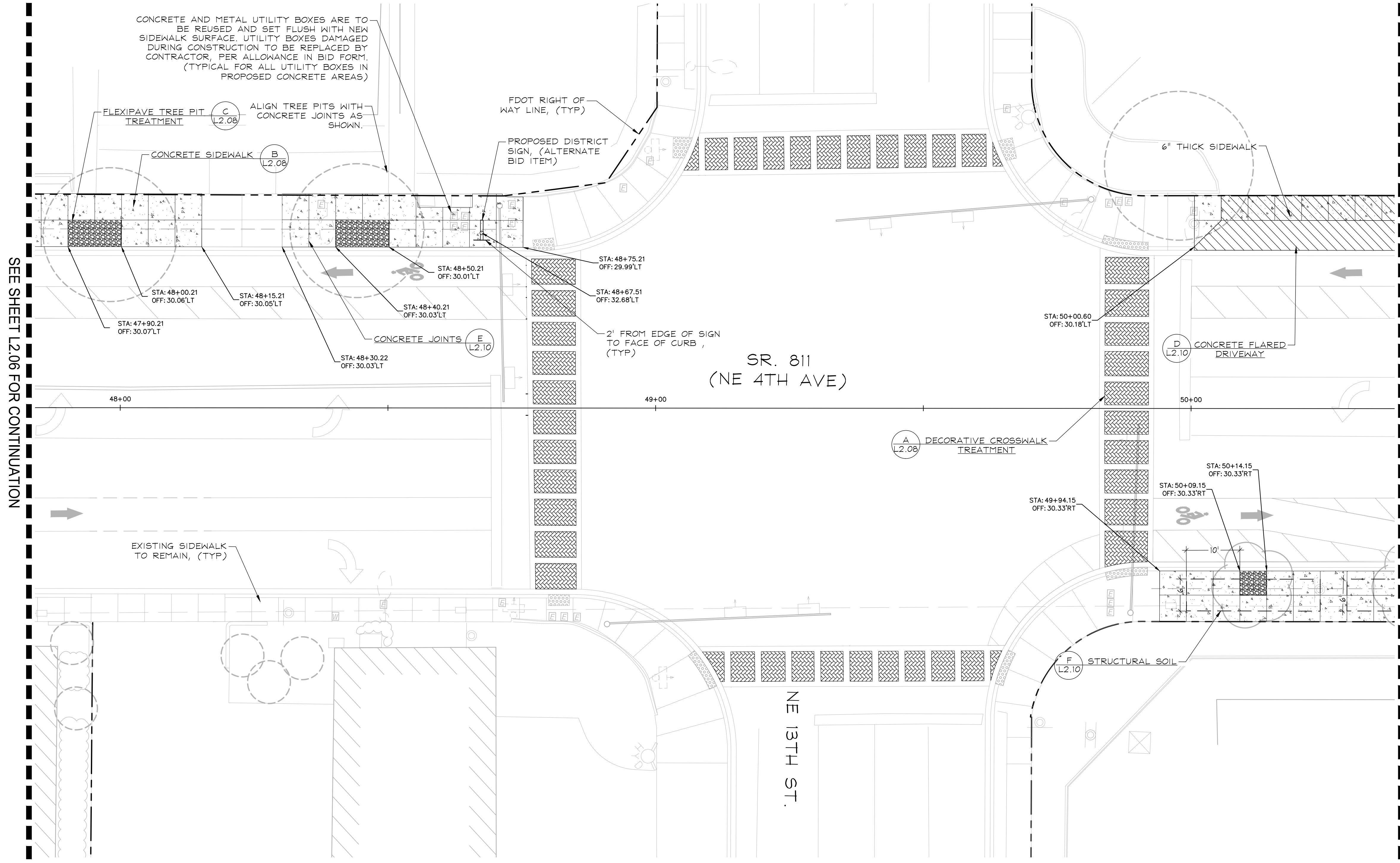
SEE SHEET L2.05 FOR CONTINUATION

SEE SHEET L2.07 FOR CONTINUATION

Plotted By: Hargrett, Tom Sheet Set: NE 4th Avenue Layout: L2.06 HARDSCAPE PLAN June 29, 2022 09:10:57am K:\WPB\_LRG\_04\3184061 - NE 4th Ave FTL\CAD\Plansheets\L2.06 HARDSCAPE PLAN.dwg

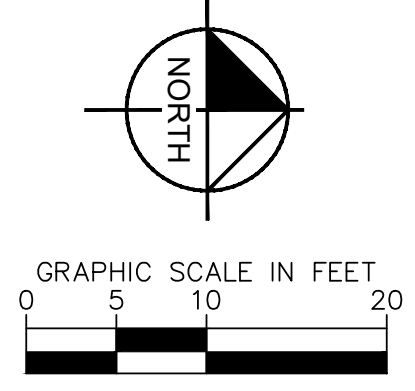


Plotted By: Hargrett, Tom Sheet Set: NE 4th Avenue Layout: L2.07 HARDSCAPE PLAN June 29, 2022 09:11:00am K:\WPB\_LRG\_043184061 - NE 4th AVE FTL\CAD\Plansheets\L2.00 HARDSCAPE PLAN.dwg



SEE SHEET L2.06 FOR CONTINUATION

SEE SHEET L2.08 FOR CONTINUATION



**KimleyHorn**  
 1920 WEKIVA WAY #200  
 WEST PALM BEACH, FL 33411  
 PHONE: 561-945-0665 FAX:  
 561-930-9245  
 WWW.KIMLEY-HORN.COM  
 REGISTRY #996  
 © 2022 KIMLEY-HORN AND  
 ASSOCIATES, INC.

REAL:  
 JONATHAN D. HAIGH, PLA  
 STATE LICENSE NUMBER  
 LA #6666795  
 06/30/2022

DRAWN BY: DATE: 07/01/2021  
 DESIGNED BY: SCALE: AS SHOWN  
 CHECKED BY:  
 FIELD BOOK:

CITY OF FORT LAUDERDALE  
 TRANSPORTATION  
 &  
 MOBILITY

290 NE 3RD AVE., FORT LAUDERDALE, FL 33301

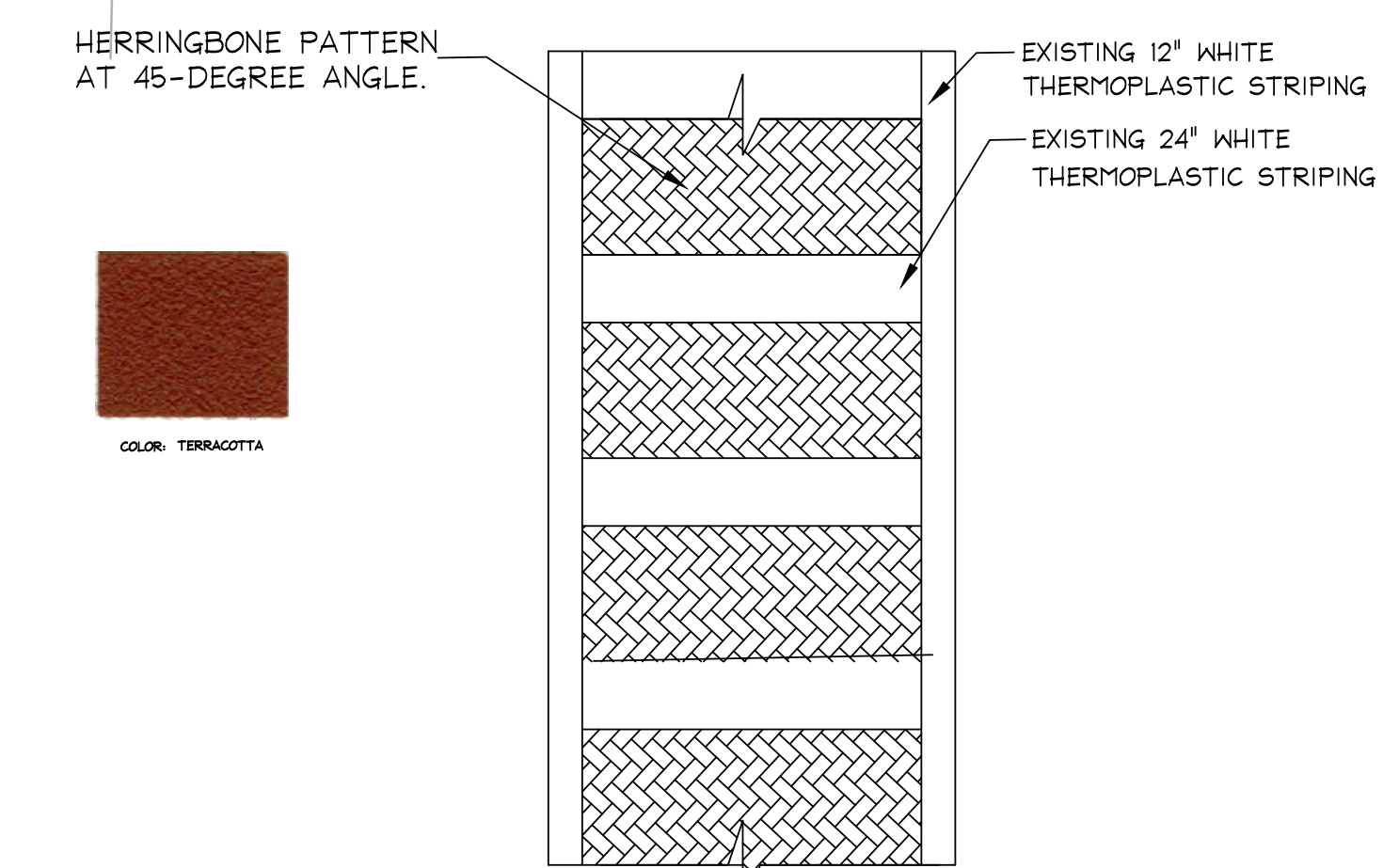
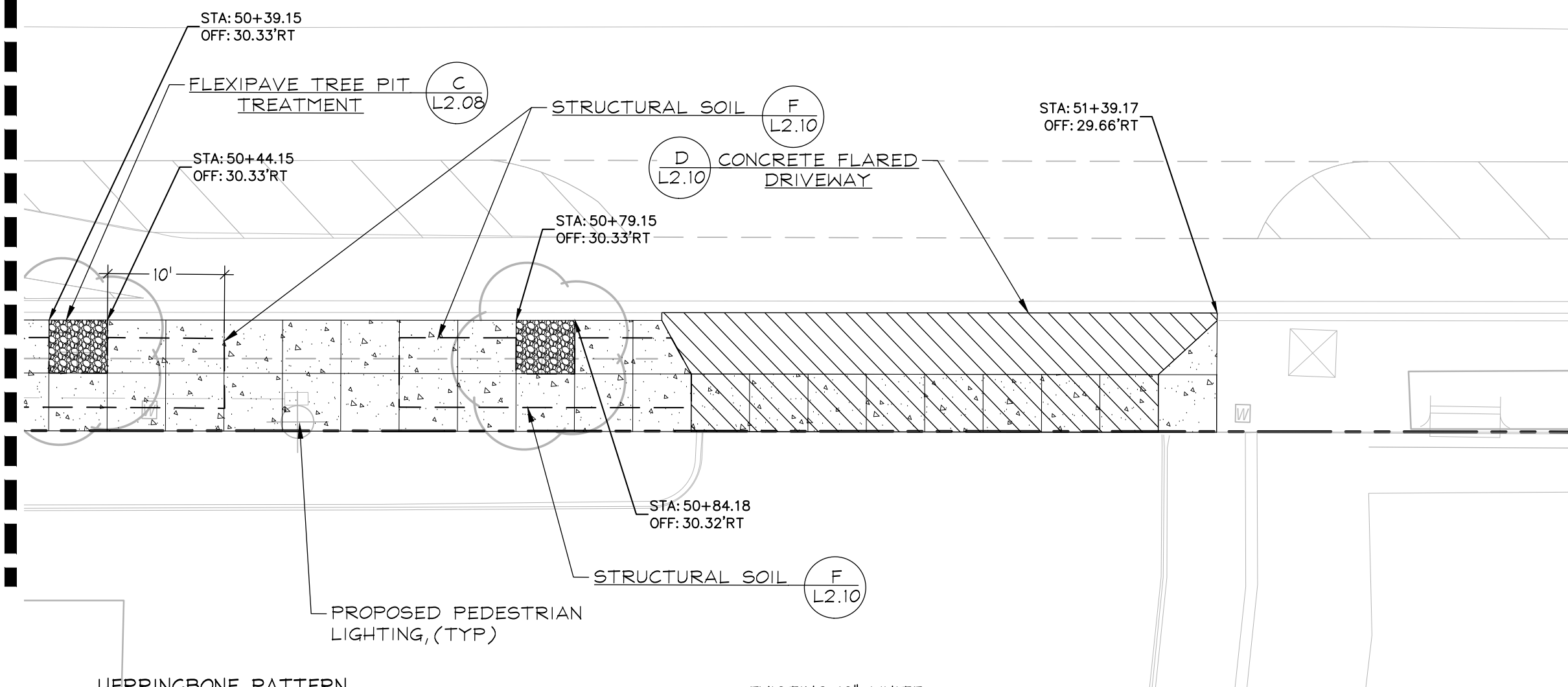
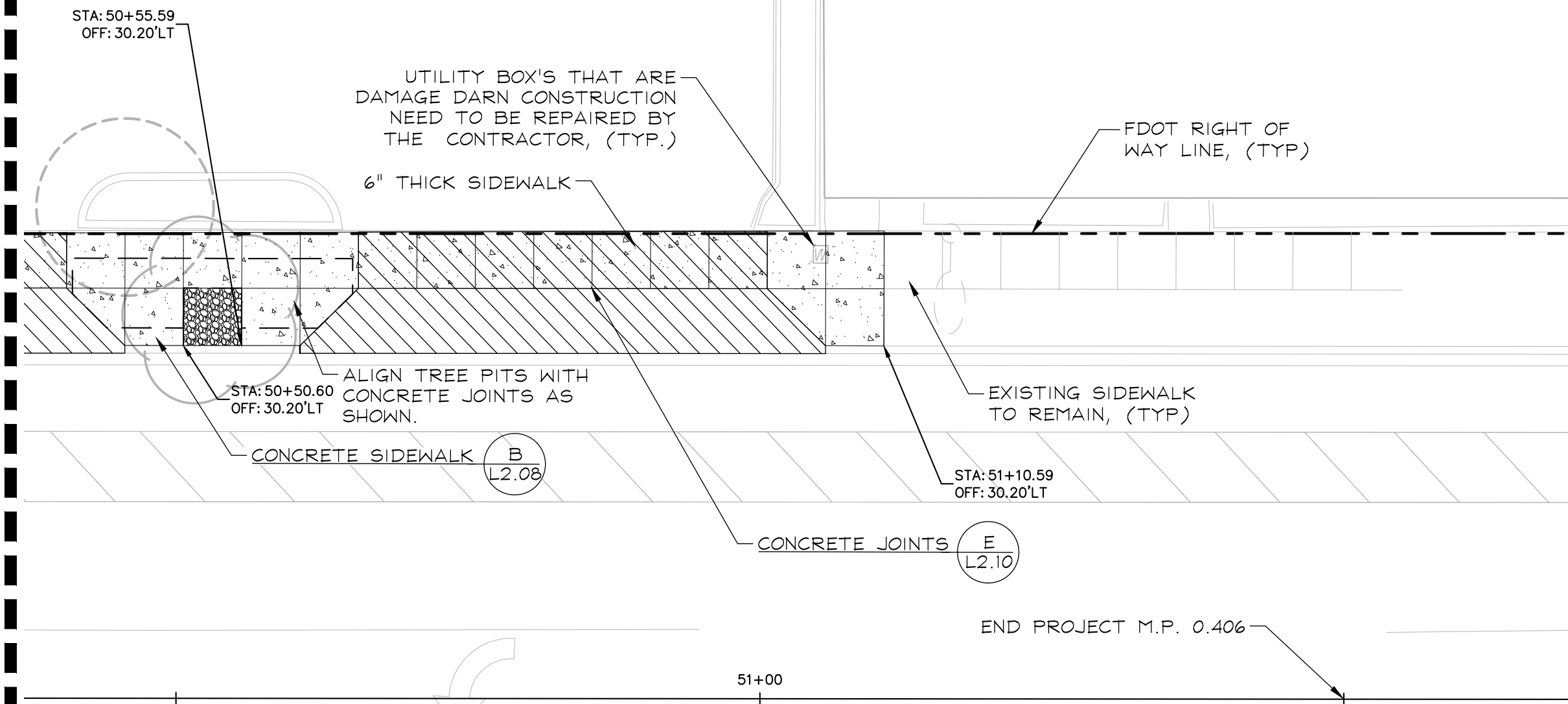
REVISIONS		DESCRIPTION
NO.	DATE	BY (CHK'D)

PROJECT # 12557  
 NE 4TH AVENUE STREETScape PROJECT  
 E SUNRISE BLVD TO NE 13TH ST  
 FORT LAUDERDALE, FL  
 HARDSCAPE PLAN

SHEET NO.  
**L2.07**

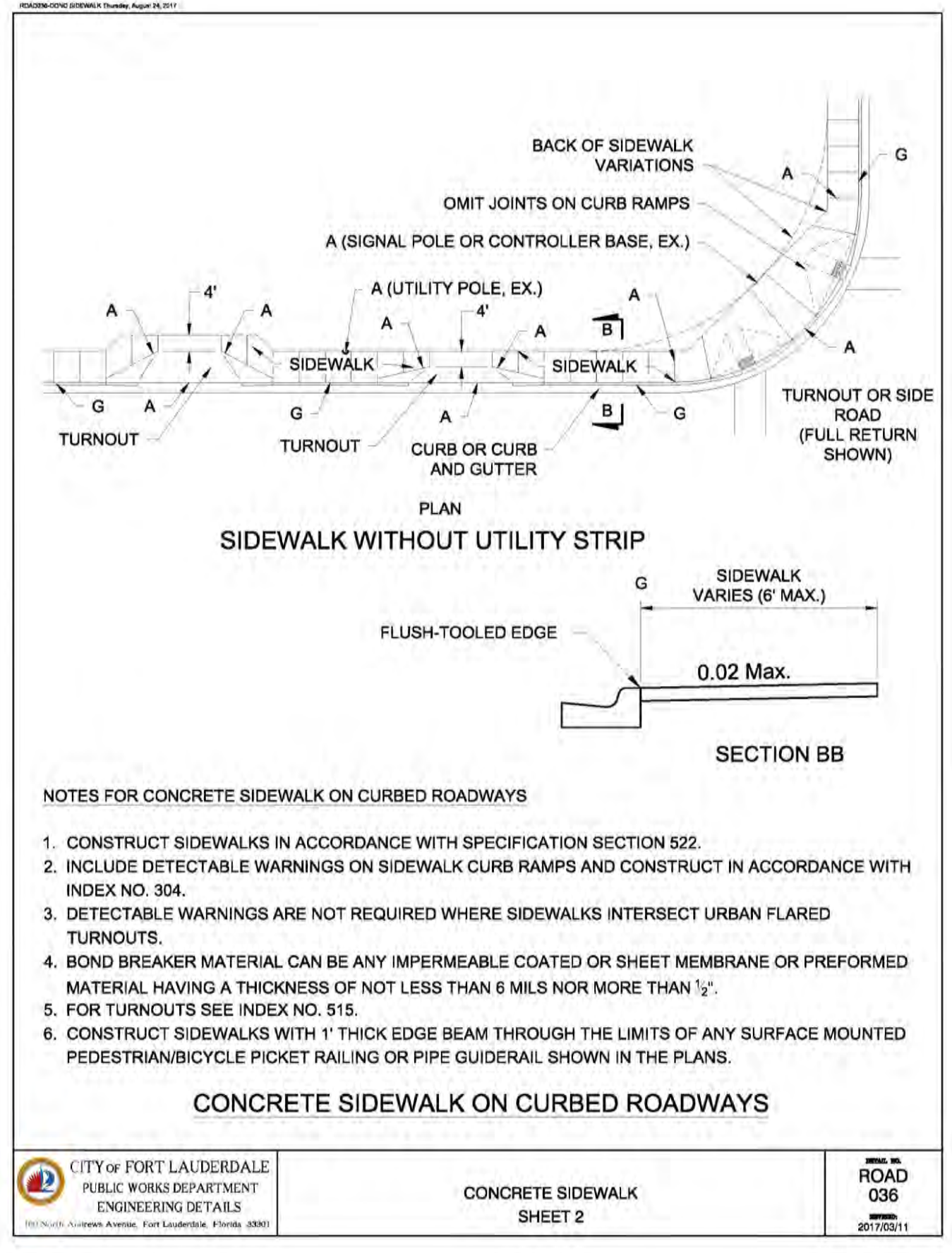


SEE SHEET L2.07 FOR CONTINUATION



- NOTES:
- PATTERNED TEXTURED PAVEMENT: STREETBRICK XL BY ATLANTIC PAVING CO. (305)513-8632 (OR ALTERNATIVE FDOT APL PRODUCT) FDOT APL CERTIFICATION 523-000-020
  - SUBMIT COLOR SAMPLE TO OWNER FOR APPROVAL PRIOR TO INSTALLATION.
  - INSTALL PER MANUFACTURE'S SPECIFICATION WITHIN VOIDS EXISTING CROSSWALK MARKINGS.

**A** DECORATIVE CROSSWALK TREATMENT NTS

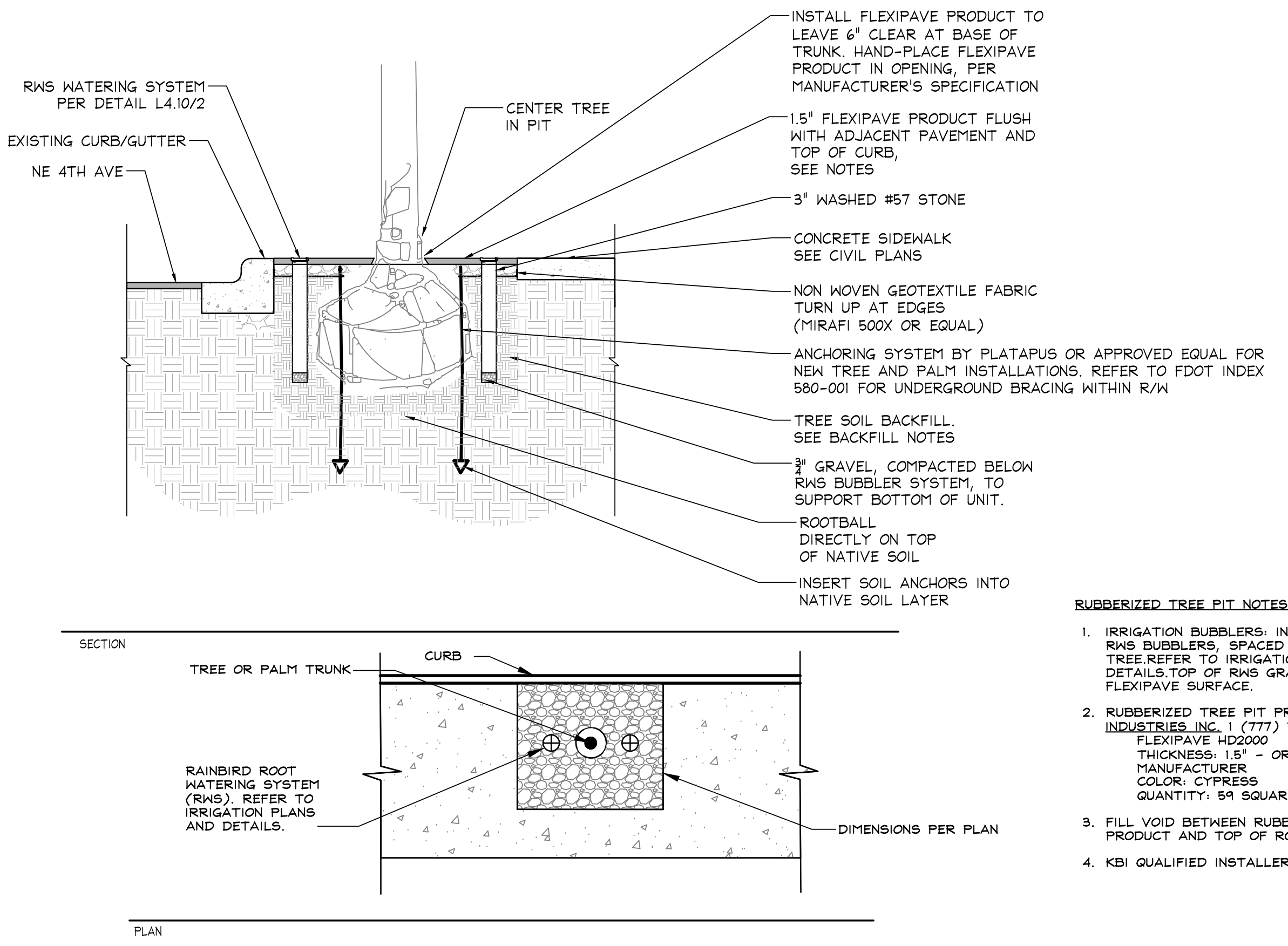


- NOTES FOR CONCRETE SIDEWALK ON CURBED ROADWAYS
- CONSTRUCT SIDEWALKS IN ACCORDANCE WITH SPECIFICATION SECTION 522.
  - INCLUDE DETECTABLE WARNINGS ON SIDEWALK CURB RAMPS AND CONSTRUCT IN ACCORDANCE WITH INDEX NO. 304.
  - DETECTABLE WARNINGS ARE NOT REQUIRED WHERE SIDEWALKS INTERSECT URBAN FLARED TURNOUTS.
  - BOND BREAKER MATERIAL CAN BE ANY IMPERMEABLE COATED OR SHEET MEMBRANE OR PREFORMED MATERIAL HAVING A THICKNESS OF NOT LESS THAN 6 MILS NOR MORE THAN 1/2".
  - FOR TURNOUTS SEE INDEX NO. 515.
  - CONSTRUCT SIDEWALKS WITH 1" THICK EDGE BEAM THROUGH THE LIMITS OF ANY SURFACE MOUNTED PEDESTRIAN/BICYCLE PICKET RAILING OR PIPE GUIDERAIL SHOWN IN THE PLANS.

CONCRETE SIDEWALK ON CURBED ROADWAYS

CITY OF FORT LAUDERDALE PUBLIC WORKS DEPARTMENT ENGINEERING DETAILS <small>100 North Andrews Avenue, Fort Lauderdale, Florida, 33301</small>	CONCRETE SIDEWALK	ROAD NO. 036
	SHEET 2	20170311

**B** CONCRETE SIDEWALK ON CURBED ROADWAYS NTS



- RUBBERIZED TREE PIT NOTES:
- IRRIGATION BUBBLERS: INSTALL TWO (2) 4" ROUND RWS BUBBLERS, SPACED EQUALLY AROUND THE TREE. REFER TO IRRIGATION PLANS AND DETAILS. TOP OF RWS GRATE TO BE FLUSH WITH FLEXIPAVE SURFACE.
  - RUBBERIZED TREE PIT PRODUCT BY KBI INDUSTRIES, INC. (777) 723-3300 FLEXIPAVE HD2000 THICKNESS: 1.5" - OR AS REQUIRED BY MANUFACTURER COLOR: CYPRESS QUANTITY: 59 SQUARE PITS (5'x5')
  - FILL VOID BETWEEN RUBBERIZED TREE PIT PRODUCT AND TOP OF ROOT BALL PER DETAIL.
  - KBI QUALIFIED INSTALLER.

**C** FLEXIPAVE TREE PIT TREATMENT NTS

**Kimley-Horn**  
 1920 WEKIVA WAY #200  
 WEST PALM BEACH, FL 33411  
 PHONE: 561-945-0665 FAX: 561-530-2245  
 WWW.KIMLEY-HORN.COM  
 REGISTRY #996  
 © 2023 KIMLEY-HORN AND ASSOCIATES, INC.

REAL: JONATHAN D. HAIGH, PLA  
 STATE LICENSE NUMBER LA #6666795  
 06/30/2022

DRAWN BY:	DATE:	DESIGNED BY:	SCALE:	CHECKED BY:	FIELD BOOK:
	07/01/2021		AS SHOWN		

CITY OF FORT LAUDERDALE  
 TRANSPORTATION & MOBILITY  
  
 290 NE 3RD AVE., FORT LAUDERDALE, FL 33301

REVISIONS		DESCRIPTION
NO.	DATE	BY (CHKD)

PROJECT # 12557  
 NE 4TH AVENUE STREETSCAPE PROJECT  
 E SUNRISE BLVD TO NE 13TH ST  
 FORT LAUDERDALE, FL  
 HARDSCAPE PLAN

SHEET NO.  
**L2.08**



SIGN FABRICATION AND INSTALLATION NOTES:

1. WRITTEN DIMENSIONS TAKE PRECEDENCE OVER SCALED DIMENSIONS. SIGN CONTRACTOR TO VERIFY AND BE RESPONSIBLE FOR ALL DIMENSIONS AND CONDITIONS SHOWN IN CONTRACT DOCUMENTS.
2. FOR ALL SIGNS INSTALLED WITHIN FDOT R/W: WORK TO BE PERFORMED IN ACCORDANCE WITH FDOT STANDARD PLANS AND STANDARD SPECIFICATIONS. REFER TO FDOT GENERAL NOTES.
3. SIGN CONTRACTOR SHALL VERIFY ALL EXISTING CONDITIONS PRIOR TO ISSUING SHOP DRAWINGS. CONTRACTOR TO NOTIFY THE CITY AND KIMLEY-HORN OF ANY DISCREPANCIES BETWEEN THE DRAWINGS AND ACTUAL FIELD CONDITIONS PRIOR TO FABRICATION.
4. ALL COLORS AND FINISHES ARE TO BE APPROVED BY THE CITY AND/OR CITY'S REPRESENTATIVE PRIOR TO THE PRODUCTION OF THE SIGN UNITS.
5. CONTRACTOR TO PROVIDE FINISHED SAMPLES OF ALL COLORS ON A MOCK-UP SIGN SAMPLE FOR APPROVAL PRIOR TO COMMENCING FABRICATION OF THE ENTIRE SIGN PROGRAM. MATERIAL SAMPLES SHALL BE PRESENTED TO THE CLIENT PRIOR TO FULL-SCALE FABRICATION FOR CLIENT APPROVAL. EXAMPLE OF WELDS, ATTACHMENTS, AND FINISHES SAMPLES FEATURING ALL COLORS ARE REQUIRED.
6. CONTRACTOR IS RESPONSIBLE FOR CONFIRMING POTENTIAL UNDERGROUND UTILITY CONFLICTS PRIOR TO EXCAVATION. CONTACT SUNSHINE 811 BEFORE DIGGING AND COORDINATE WITH CITY PRIOR TO COMMENCING EXCAVATION.
7. CONTRACTOR TO FIELD-CONFIRM MINIMUM 3'-0" CLEARANCE TO LOWEST OVERHEAD UTILITY.
8. CONTRACTOR TO RESTORE LANDSCAPED AREAS DISTURBED BY CONSTRUCTION ACTIVITIES, MATCHING EXISTING TURF SPECIES AND EXISTING PLANT MATERIAL SPECIES TO THOSE DAMAGED AT EACH LOCATION.
9. CONTRACTOR TO AVOID ENCRoACHMENT ONTO NON-CITY PROPERTIES OUTSIDE OF THE R/W. CONTRACTOR IS RESPONSIBLE TO REPAIRING ALL DAMAGE TO ADJACENT PROPERTIES THAT ARE CAUSED BY CONSTRUCTION ACTIVITIES FOR THIS PROJECT.
10. CONTRACTOR, AT HIS OWN EXPENSE, MAINTAIN TRAFFIC ACCESS ALONG ADJACENT ROADS, AND PEDESTRIAN ACCESS ALONG SIDEWALKS. COORDINATE WITH FDOT AND CITY PERMIT REQUIREMENTS FOR MAINTENANCE OF PEDESTRIAN AND VEHICULAR TRAFFIC REQUIREMENTS.
11. CONTRACTOR TO COORDINATE WITH CITY OF FORT LAUDERDALE URBAN FORESTER FOR ANY NECESSARY TREE TRIMMING REQUIRED TO INSTALL PROPOSED SIGNS OR TO ENHANCE VISIBILITY TO PROPOSED SIGNS. CITY CREWS WILL PERFORM TREE PRUNING.
12. SIGN CONTRACTOR IS RESPONSIBLE FOR PERMITTING ALL SIGNS THROUGH THE CITY OF FORT LAUDERDALE, INCLUDING ENGINEERING FOR FOUNDATIONS AND SIGN STRUCTURES. PERMITS FOR IMPLEMENTING SIGNS IN FDOT R/W WILL BE OBTAINED PRIOR TO CONSTRUCTION BY THE CITY AND EOR.
13. PAINTS, COLORS, MATERIALS SHOWN IN ELEVATIONS ARE CONTINUOUS AROUND EDGES AND CONTINUOUS FACES. ALL PAINTS BE APPLIED WITH A CLEAR UV PROTECTANT.
14. TYPEFACES WILL NOT BE SUPPLIED TO THE CONTRACTOR. CONTRACTOR IS RESPONSIBLE FOR OBTAINING THE LICENSED EDITION FOR THEIR OWN USE.
15. ALL WORKMANSHIP SHALL BE SQUARE AND TRUE WITH A HIGH DEGREE OF ARCHITECTURAL FINISH. IT WILL BE THE RESPONSIBILITY OF THE CONTRACTOR TO INSPECT ALL RAW MATERIALS FOR DEFECTS PRIOR TO FABRICATION. WORKMANSHIP AND FINISHING WILL BE INSPECTED BEFORE TRANSPORTATION TO THE SITE AS WELL AS AFTER INSTALLATION. RESPONSIBILITY FOR DEFECTS IN MATERIALS, FABRICATION, OR FINISHING WILL BE ASSUMED BY THE CONTRACTOR.
16. FASTENING HARDWARE SHALL BE STAINLESS STEEL OR HEAVY COAT GALVANIZED STEEL. FASTENING HOLES IN SIGN FACES AND STRUCTURES SHALL BE PRE-DRILLED AND DE-BURRED PRIOR TO PAINT FINISHING.
17. ALL STRUCTURAL WELDING SHALL BE EXECUTED TO BEST TRADE PRACTICE. WELDS MUST BE CLEANED AND GROUND SMOOTH AS NECESSARY TO FACILITATE PROPER FIT AND FINISHING.

PROVIDED DOCUMENTS

THE SUCCESSFUL CONTRACTOR WILL BE PROVIDED DESIGN TEMPLATES FOR USE IN PRODUCTION (ONE FOR EACH SIGN TYPE). THESE FILES WILL INCLUDE ALL GRAPHICS AND LOGOS IN VECTOR FORMAT AS WELL AS PANTONE COLOUR SPECIFICATIONS. IT WILL BE THE RESPONSIBILITY OF THE FABRICATOR TO PURCHASE A LICENSE FOR ALL FONTS FOR USE OF THE EDITABLE TEMPLATES.

GENERAL STRUCTURAL NOTES:

2020 FLORIDA BUILDING CODE  
LOAD CRITERIA:

BASIC WIND SPEED = 170 MPH (3-SECOND GUST)  
STRUCTURE CLASS II  
EXPOSURE CATEGORY C

CONTRACTOR SHALL FIELD VERIFY ALL PERTINENT EXISTING DIMENSIONS, ELEVATIONS AND SITE CONDITIONS PRIOR TO COMMENCEMENT OF THE WORK. CONTRACTOR SHALL NOT SCALE CONTRACT DRAWINGS IN LIEU OF FIELD VERIFICATION. ALL DISCREPANCIES SHALL BE REPORTED TO THE OWNER AND THE OWNER'S ENGINEER.

SUBMIT ORIGINAL SHOP DRAWINGS, INCLUDING COMPLETE DETAILS, SCHEDULES OF FABRICATION AND ASSEMBLY PROCEDURES, AND DIAGRAMS. INCLUDE DETAILS OF CUTS, CONNECTIONS, CAMBER, HOLE, AND OTHER PERTINENT DATA. INDICATE WELDS BY STANDARD AWS A2.1 AND A2.4 SYMBOLS, AND SHOW SIZE, LENGTH, AND TYPE OF WELD.

CONTRACTOR SHALL BE RESPONSIBLE FOR RESTORING ANY AREAS THAT ARE DISTURBED AS A RESULT OF THE WORK ASSOCIATED WITH THE INSTALLATION OF THE TOWER MODIFICATIONS.

STRUCTURE WILL COMPLY TO THE FLORIDA DEPARTMENT OF TRANSPORTATION, PLANS PREPARATION MANUAL, VOLUME 1, CHAP 9.5.

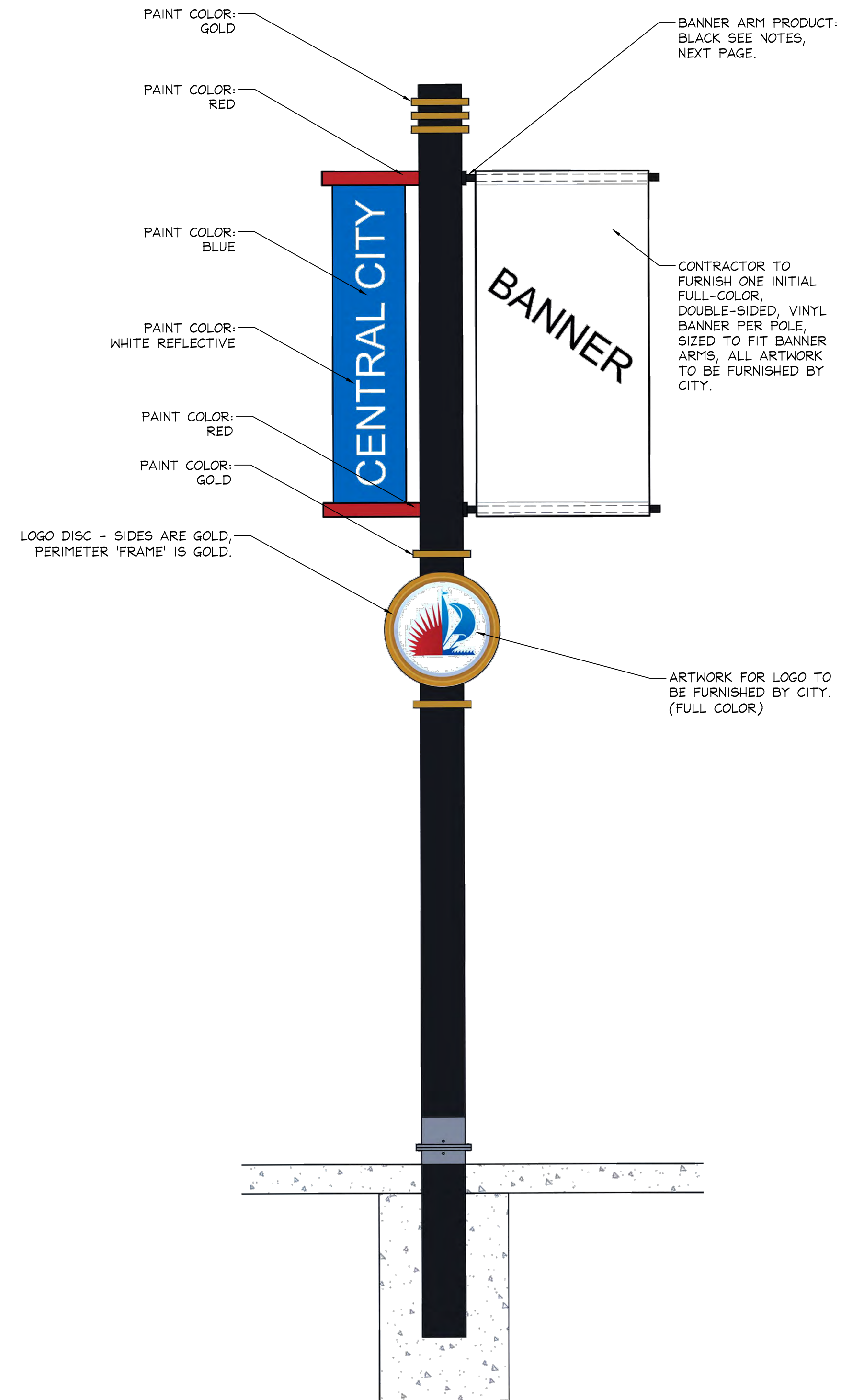
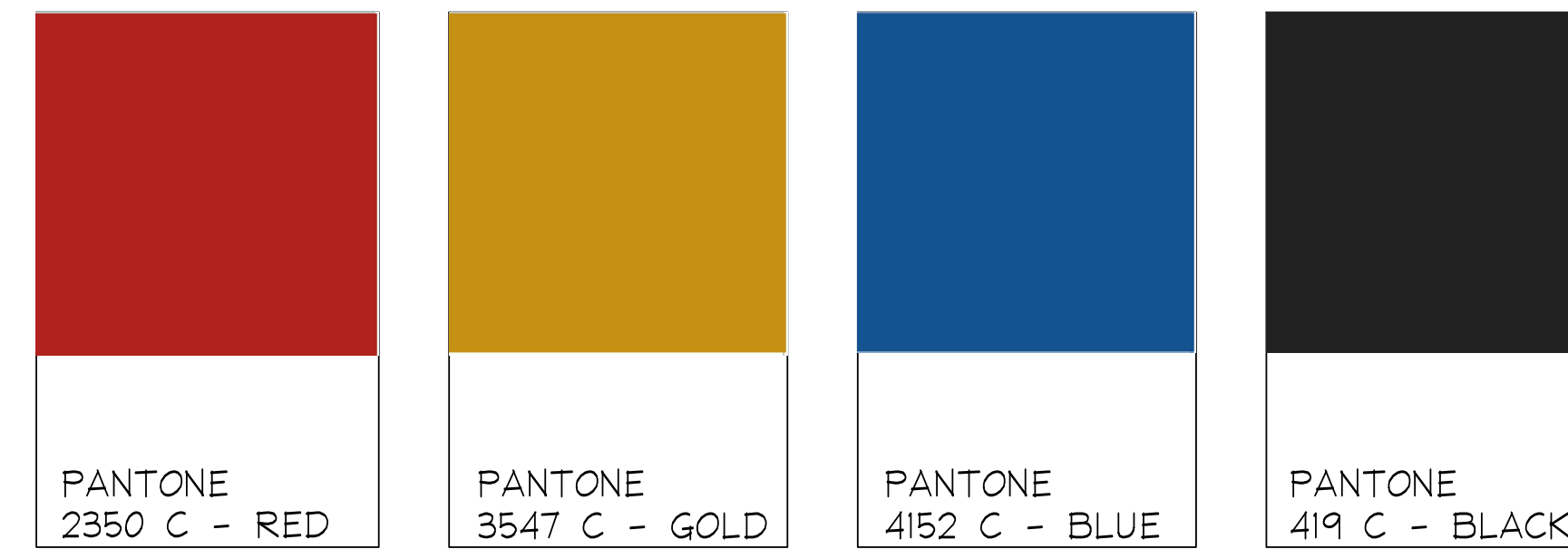
EARTHWORK:

1. PERFORM EARTHWORK IN COMPLIANCE WITH APPLICABLE REQUIREMENTS OF GOVERNING AUTHORITIES HAVING JURISDICTION.
2. LOCATE EXISTING UNDERGROUND UTILITIES IN THE AREAS OF WORK BEFORE STARTING EARTHWORK OPERATIONS. WHERE UTILITIES ARE TO REMAIN IN PLACE, PROVIDE ADEQUATE MEANS OF PROTECTION DURING EARTHWORK OPERATIONS.
3. PROTECT STRUCTURES, UTILITIES, SIDEWALKS, PAVEMENTS, AND OTHER FACILITIES FROM DAMAGES CAUSED BY SETTLEMENT, LATERAL MOVEMENT, UNDERMINING, WASHOUT, AND OTHER HAZARDS CREATED BY EARTHWORK OPERATIONS.
4. SOIL MATERIALS FOR USE AS BACKFILL AND FILL SHALL BE SAND OR SAND-GRAVEL MIXTURES FREE OF ROCK OR GRAVEL LARGER THAN SIX INCHES IN ANY DIMENSION, DEBRIS, WASTE, VEGETABLE, AND OTHER DELETERIOUS MATTER. NOT MORE THAN 10% OF THE BACKFILL MATERIAL SHALL PASS THE U.S. STANDARD NO. 200 SIEVE.
5. UNSUITABLE MATERIALS AS DETERMINED BY THE ENGINEER, SUCH AS PEAT, MUCK, ROOTS, LOGS, DEBRIS, BRUSH, SOD, CLAY, LOAM OR OTHER SIMILAR MATERIALS, SHALL NOT BE USED.
6. EXISTING UNSUITABLE MATERIALS AS DETERMINED BY THE ENGINEER OCCURRING BENEATH STRUCTURE FOUNDATIONS SHALL BE REMOVED AND REPLACED WITH COMPACTED FILL IN ACCORDANCE WITH THE APPLICABLE COMPACTION CRITERIA.
7. PREVENT SURFACE WATER AND SUBSURFACE OR GROUNDWATER FROM FLOWING INTO EXCAVATIONS, AND FLOODING THE PROJECT SITE AND SURROUNDING AREA. DO NOT ALLOW WATER TO ACCUMULATE IN EXCAVATIONS. REMOVE WATER FROM EXCAVATIONS TO PREVENT SOFTENING OF FOUNDATION BOTTOMS, UNDERCUTTING FOOTINGS, AND SOIL CHANGES DETRIMENTAL TO THE STABILITY OF SUBGRADES AND FOUNDATIONS. PROVIDE AND MAINTAIN PUMPS, WELL POINTS, SUMPS, SUCTION AND DISCHARGE LINES, AND OTHER DEWATERING SYSTEM COMPONENTS NECESSARY TO CONVEY THE WATER AWAY FROM THE SITE.

REINFORCED CONCRETE:

1. ALL CONCRETE MATERIALS, PLACING AND HANDLING SHALL BE IN ACCORDANCE WITH AMERICAN CONCRETE INSTITUTE PUBLICATIONS ACI 301 AND ACI 318.
2. CURING OF CONCRETE SHALL BE IN STRICT ACCORDANCE WITH ACI 301 PROVISIONS.
3. ALL STRUCTURAL CONCRETE SHALL HAVE A MINIMUM 28-DAY COMPRESSIVE STRENGTH OF 4000 PSI.
4. USE NORMAL WEIGHT CONCRETE (135 PCF MIN.) FOR ALL STRUCTURAL MEMBERS. DO NOT USE CALCIUM CHLORIDE IN ANY CONCRETE. ALL STRUCTURAL CONCRETE SHALL HAVE A MAXIMUM WATER/CEMENT RATIO OF 0.45.
5. PROVIDE A 4 INCH SLUMP WITH A TOLERANCE OF +/- 1 INCH.
6. IF CONCRETE IS PUMPED, SLUMP MAY BE INCREASED TO 6 INCHES AT THE TRUCK, PROVIDED THE SLUMP SPECIFIED ABOVE IS MAINTAINED AT THE DISCHARGE END. USE A MINIMUM 4 INCH PUMP. FOR PUMPED CONCRETE, TAKE CONCRETE SAMPLES FOR SLUMP TEST AT END OF TRUCK CHUTE AND AT DISCHARGE END OF HOSE, AND TAKE SAMPLES FOR CYLINDER TESTING AT DISCHARGE END OF HOSE.
7. WATER SHALL NOT BE ADDED TO CONCRETE AT THE JOBSITE UNLESS SPECIFIC AUTHORIZATION IS INDICATED ON THE DELIVERY TICKET. NOTIFY ENGINEER OF TOTAL QUANTITY OF WATER ADDED TO ANY TRUCK. REPEAT NECESSARY TESTING IF WATER IS ADDED AFTER INITIAL SAMPLING.
8. COARSE AGGREGATE SHALL CONFORM TO ASTM C33. PEAROCK AGGREGATE SHALL NOT BE USED.
9. ALL CONCRETE SHALL BE PLACED IN THE DRY. ALL FORMS SHALL BE FREE OF STANDING WATER.
10. ALL CONCRETE SHALL BE VIBRATED IN PLACE IN ACCORDANCE WITH ACI RECOMMENDED PRACTICES. NO PLACING OF CONCRETE WILL BE COMMENCED UNLESS THERE ARE TWO OPERABLE CONCRETE VIBRATORS ON THE JOB SITE.
11. CONCRETE COVER OVER REINFORCING STEEL SHALL BE AS FOLLOWS, U.O.N.: CONCRETE CAST AGAINST EARTH 3 IN. ALL OTHER CONCRETE 2 IN.
12. PROVIDE 3/4 INCH CHAMFERS ON ALL EXPOSED EDGES, EXCEPT AS OTHERWISE NOTED. FORM TIES AND REINFORCING BAR SUPPORTS SHALL BE OF NON-CORROSIVE MATERIAL INCLUDING, BUT NOT LIMITED TO, FIBERGLASS, PLASTIC, AND CONCRETE BLOCK BAR SUPPORTS PLACED ATOP.
13. ANY TIES, STRAPS OR OTHER METALLIC FORMWORK ITEMS SHALL BE REMOVED TO A DEPTH OF 1-1/2 INCHES MINIMUM BELOW FINISHED CONCRETE SURFACE. CONCRETE

COLORS



KimleyHorn

1920 WERKVA WAY #200  
WEST PALM BEACH, FL 33411  
PHONE: 561-945-0665 FAX:  
561-530-2245  
WWW.KIMLEY-HORN.COM  
REGISTRY #090

JONATHAN D. HAIGH, P.E.  
STATE LICENSE NUMBER  
LA #6666795  
06/30/2022

DATE:	07/01/2022
DRAWN BY:	AS SHOWN
DESIGNED BY:	AS SHOWN
CHECKED BY:	AS SHOWN
FIELD BOOK:	

CITY OF FORT LAUDERDALE  
TRANSPORTATION & MOBILITY

290 NE 3RD AVE., FORT LAUDERDALE, FL 33301

REVISIONS		DESCRIPTION
NO.	DATE	BY

PROJECT # 12557  
NE 4TH AVENUE STREETScape PROJECT  
E SUNRISE BLVD TO NE 13TH ST  
FORT LAUDERDALE, FL  
POST MOUNT DISTRICT SIGN

SHEET NO.  
L2.09

ALTERNATE BID ITEM


Plotted By: Hargrett, Tom Sheet Set: NE 4th Avenue Layout: L2.09 POST MOUNT DISTRICT SIGN June 29, 2022 09:11:11am K:\WPB\_LRG\_04\3164061 - NE 4th AVE FT.LAUD. V\plan sheets\L2.00 HARDSCAPE PLAN.dwg



**Kimley»Horn**  
 1920 WEKIVA WAY #200  
 WEST PALM BEACH, FL 33411  
 PHONE: 561-945-0665 FAX: 561-530-5245  
 WWW.KIMLEY-HORN.COM  
 REGISTRY 096  
 © 2023 KIMLEY-HORN AND ASSOCIATES, INC.

REAL:  
 JONATHAN D. HAIGH, PLA  
 STATE LICENSE NUMBER  
 LA #6666795  
 06/30/2022

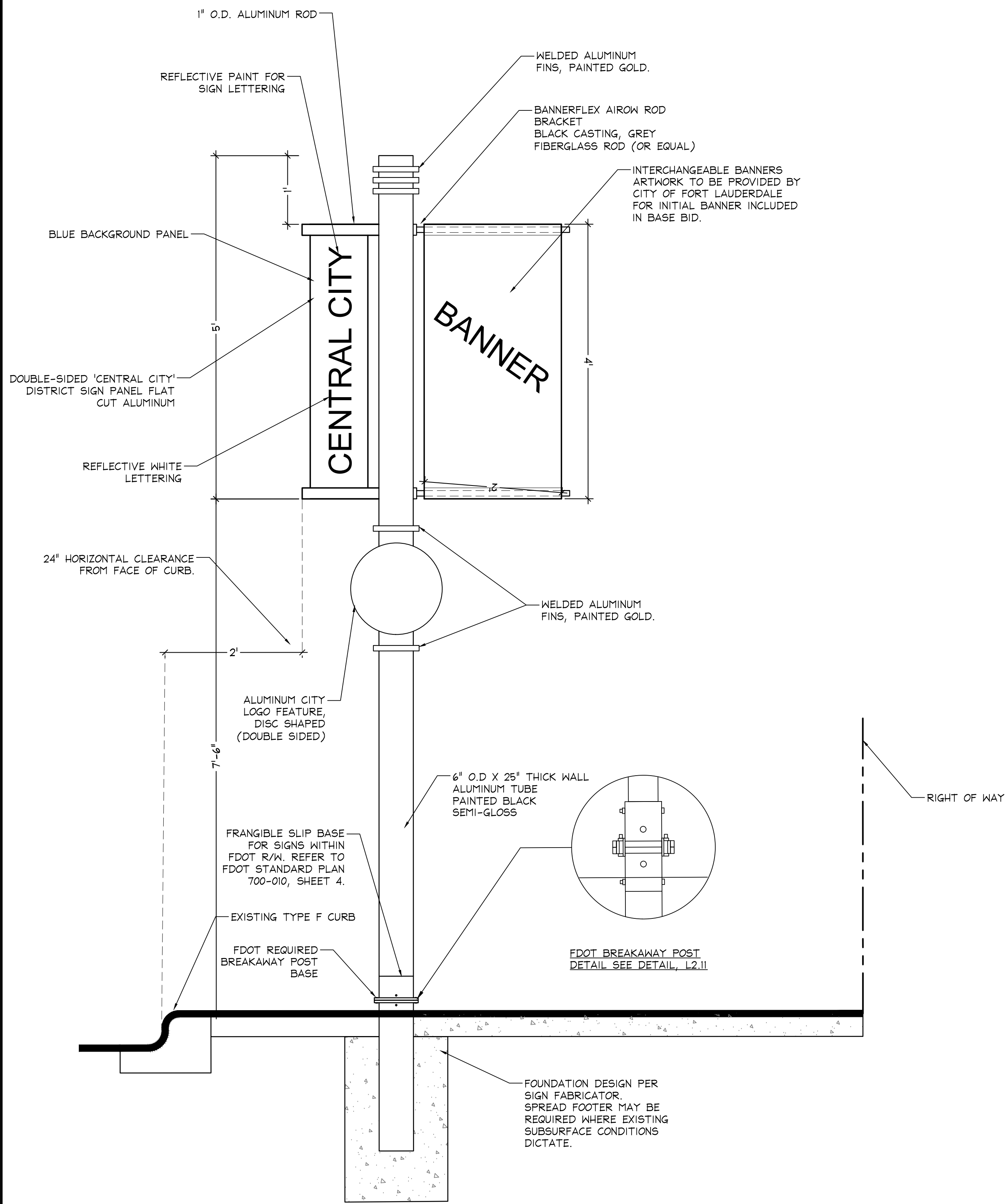
DRAWN BY: DATE: 07/01/2021  
 DESIGNED BY: SCALE: AS SHOWN  
 CHECKED BY:  
 FIELD BOOK:

CITY OF FORT LAUDERDALE  
 TRANSPORTATION & MOBILITY  
  
 290 NE 3RD AVE., FORT LAUDERDALE, FL 33301

NO.	DATE	BY	DESCRIPTION

PROJECT # 12557  
 NE 4TH AVENUE STREETSCAPE PROJECT  
 E SUNRISE BLVD TO NE 13TH ST  
 FORT LAUDERDALE, FL  
 POST MOUNT DISTRICT SIGN

SHEET NO.  
**L2.10**

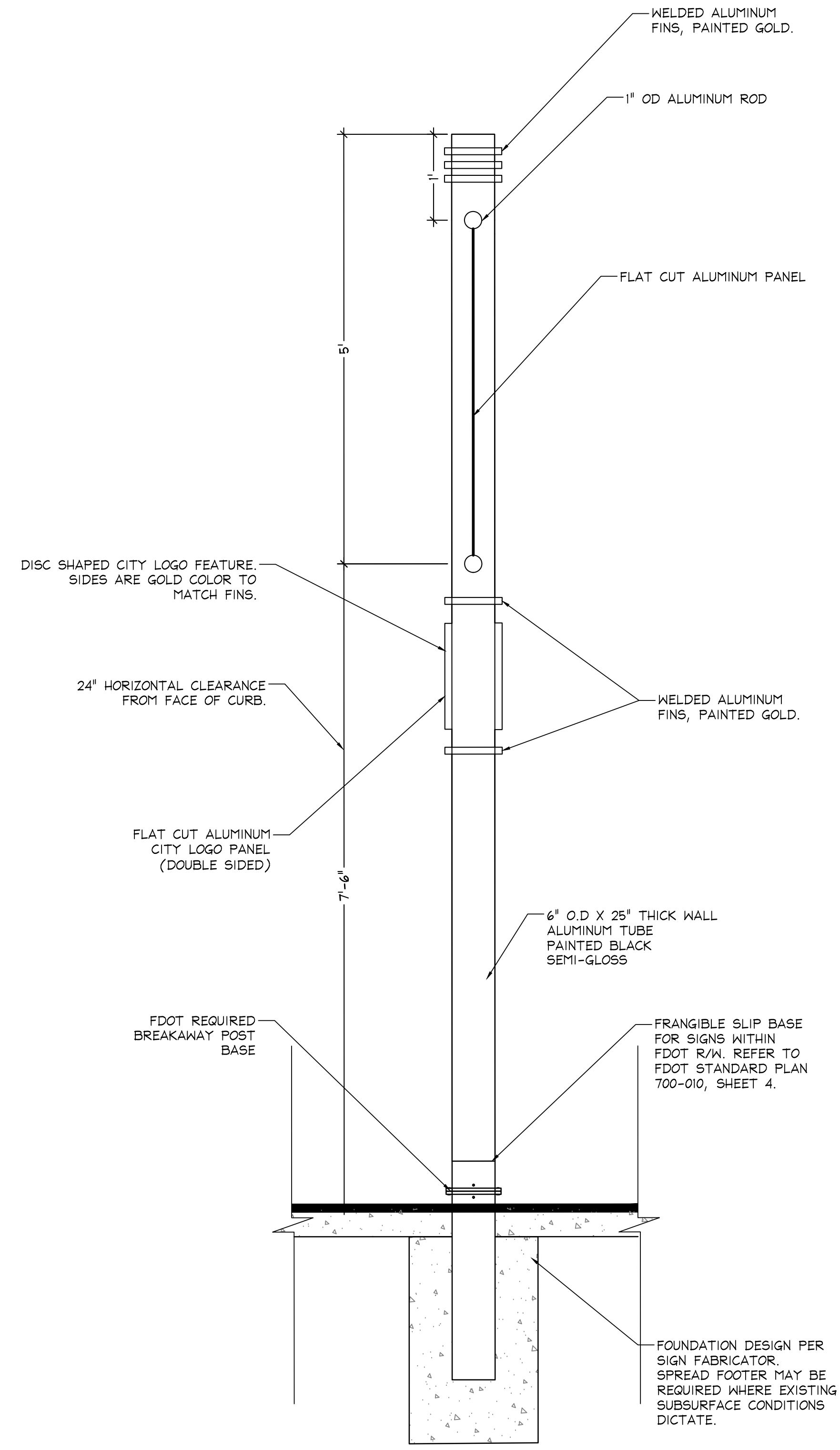


**FRONT ELEVATION**

SCALE: 1"=1'-0"

**SIGN DESIGN NOTES:**

- SIGN DESIGN AND STRUCTURE IS PRESENTED AS A 'DESIGN INTENT' DRAWING. CONTRACTOR SHALL USE THE GUIDANCE PROVIDED IN THIS PLAN SET TO PRODUCE ENGINEERED PERMIT DRAWINGS THAT MEET FLORIDA BUILDING CODE AND FOLLOW FABRICATION NOTES IN THIS SET.
- ALL SIGN ELEMENTS ARE TO BE ENGINEERED FOR WIND EXPOSURE C. FASTENING METHODS AND ATTACHMENT DESIGN TO BE SUBMITTED TO CITY AS PART OF THE CONTRACTOR'S ENGINEERED SIGN PACKAGE FOR STRUCTURAL PERMIT REVIEW AND APPROVAL.



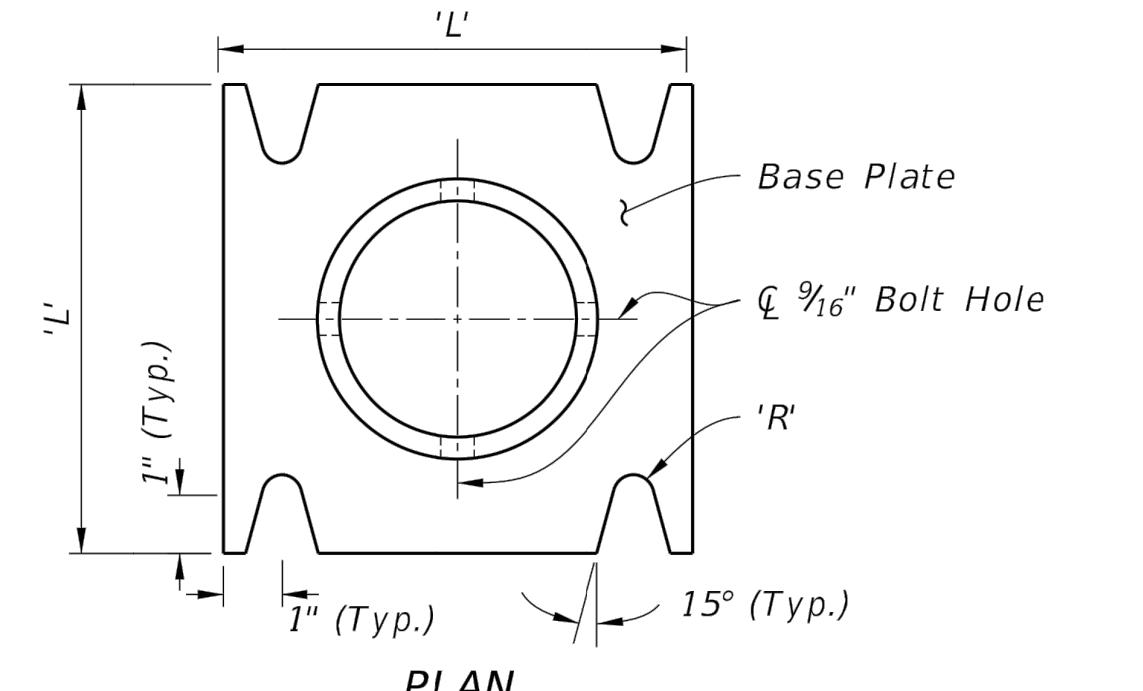
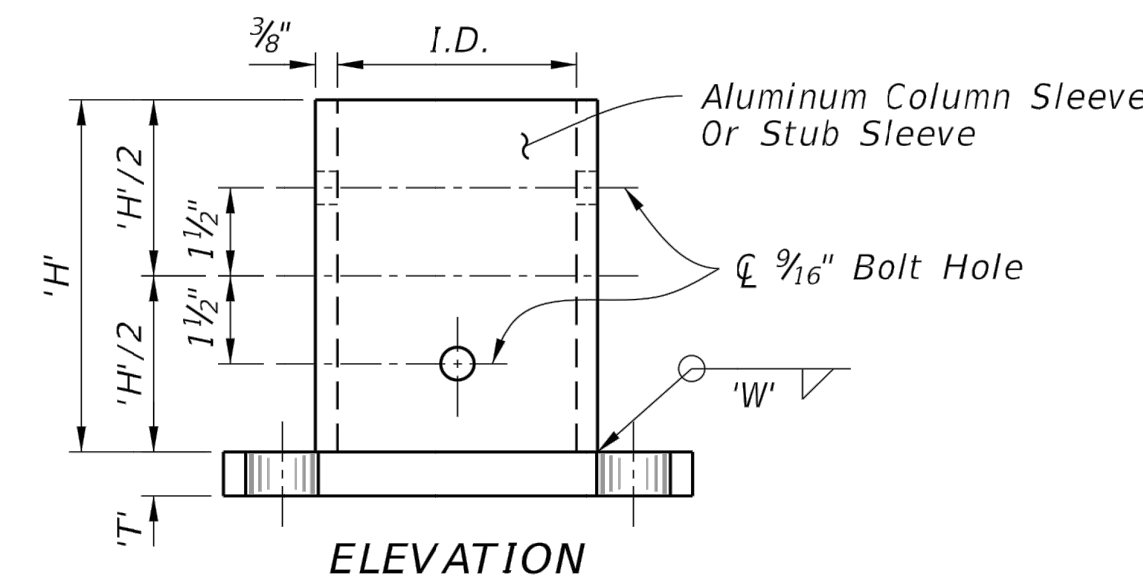
**SIDE ELEVATION**

SCALE: 1"=1'-0"

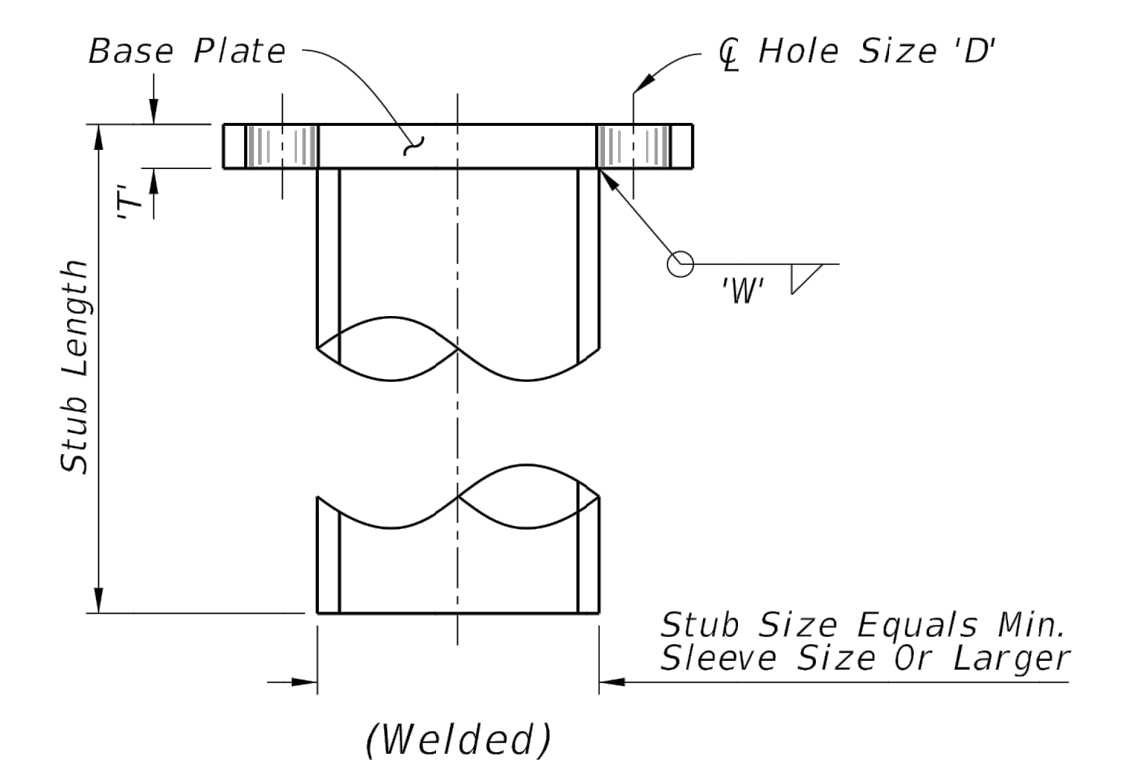
**ALTERNATE BID ITEM**

Plotted By: Horgrett, Tom Sheet Set: NE 4th Avenue Layout: L2.10 POST MOUNT DISTRICT SIGN June 29, 2022 09:11:17am K:\WPB\_LRG\043164061 - NE 4th AVE FTL\CAD\PlanSheets\L2.00 HARDSCAPE PLAN.dwg

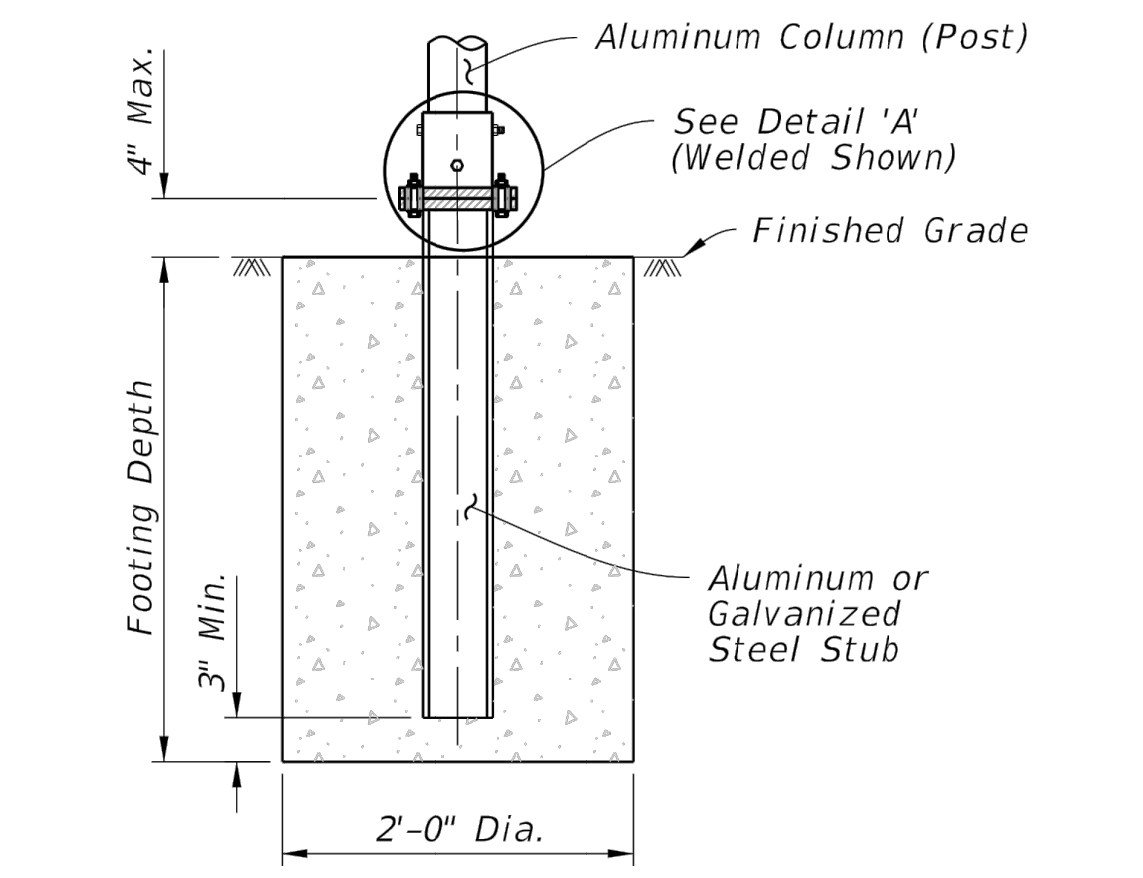




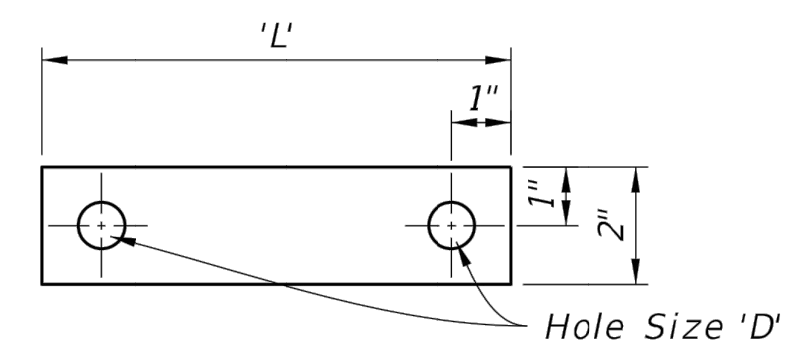
**STUB/SLEEVE & BASE PLATE DETAILS**  
(Welded Or Sandcast)



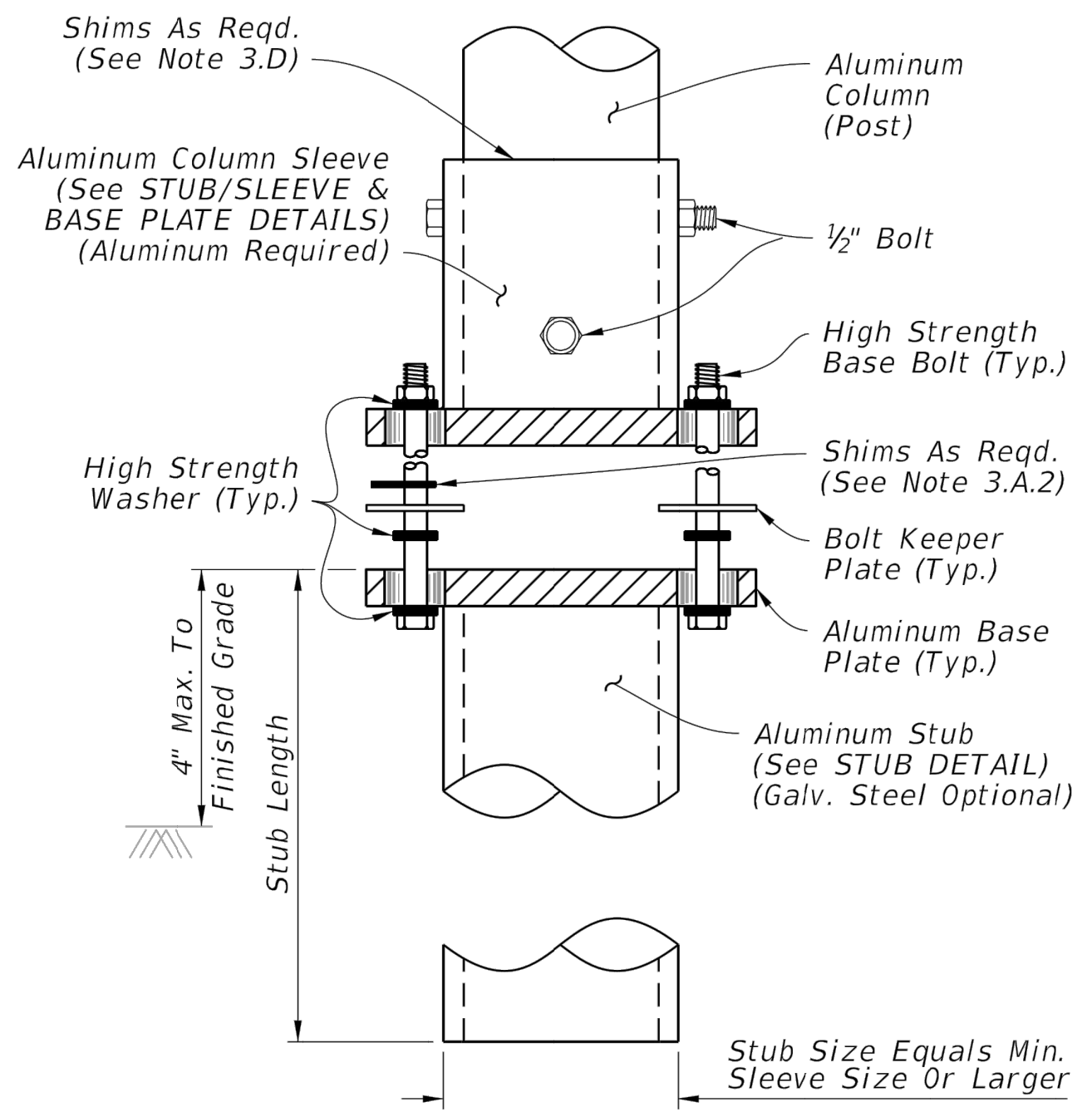
**STUB DETAIL**  
(Welded)



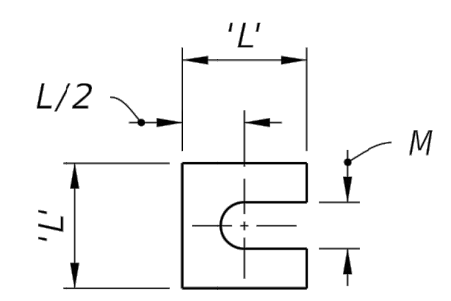
**SLIP BASE AND FOUNDATION DETAIL**  
(Non-Frangible Column, Typ.)



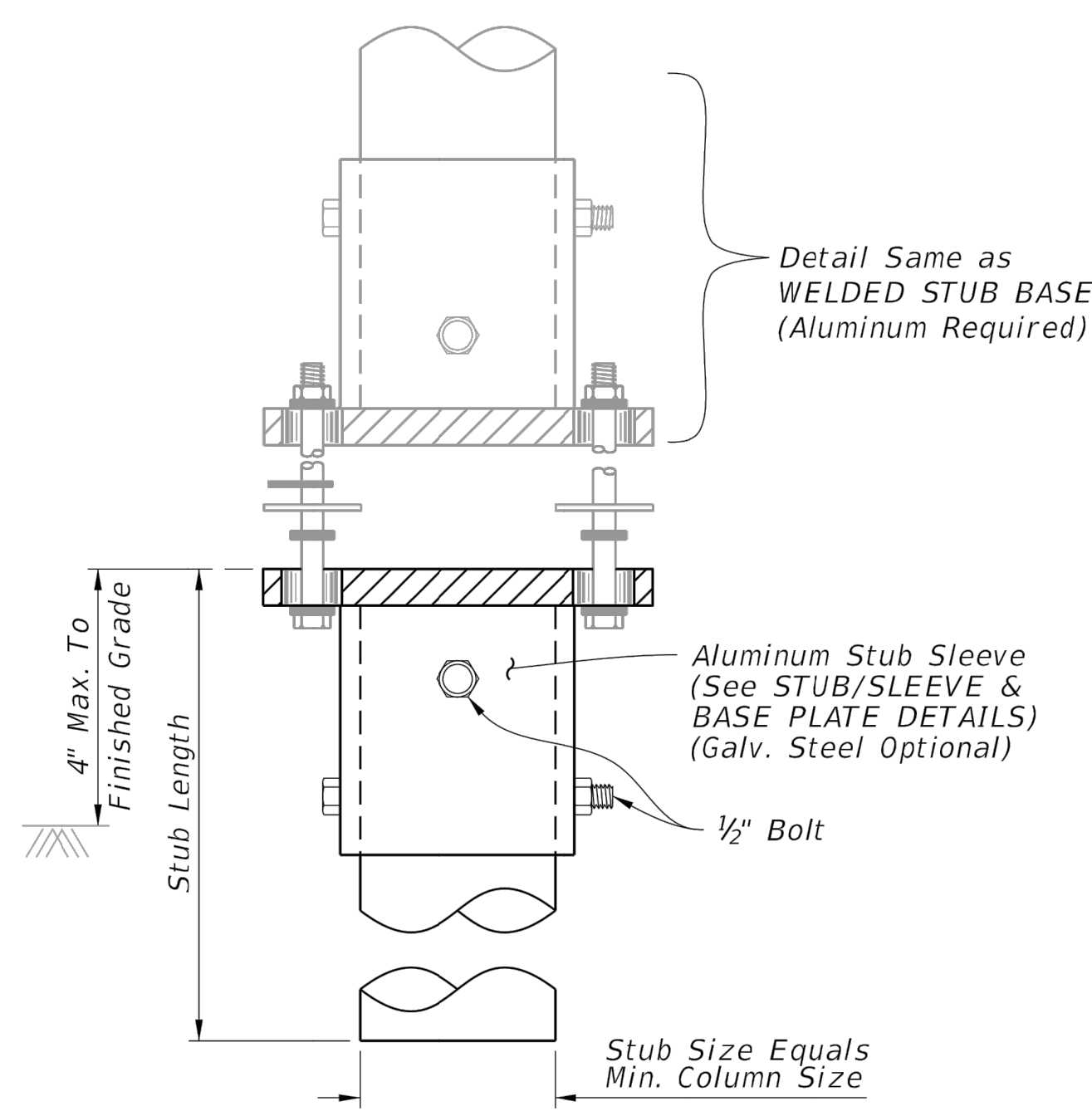
**BOLT KEEPER PLATE DETAIL**  
28 Ga. Thick Aluminum Strip  
2 Req'd. Per Base



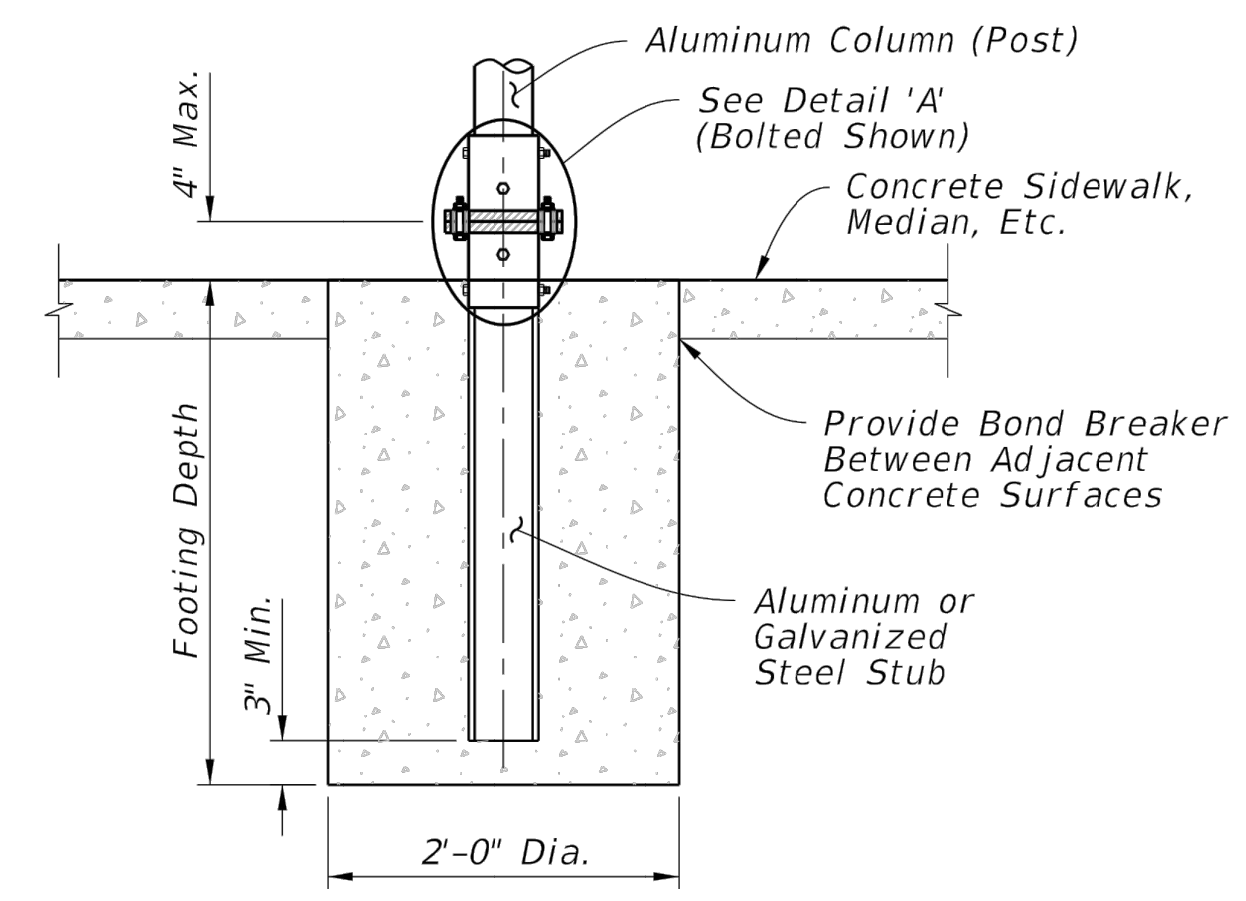
**WELDED STUB BASE**



**SHIM DETAIL**  
Provide 2-0.0149" Thick (28 gauge)  
and 2-0.0329" Thick (21 gauge)  
Brass Shims Per Post



**BOLTED STUB/SLEEVE BASE**



**SLIP BASE AND FOUNDATION DETAIL IN CONCRETE**  
(Non-Frangible Column In Crossovers, Medians & Sidewalks)

**NOTES:**

- Foundation Notes for Slip Base:**
  - Place Stub into concrete foundation given in the FOUNDATION TABLE using Class 1 Concrete.
- Slip Base Fabrication Notes:**
  - The difference between the O.D. of the post and I.D. of the Sleeve must be 1/16" or less.
  - The WELDED STUB BASE and lower STUB/SLEEVE BASE PLATE may be fabricated using galvanized steel as an option to aluminum. The upper portion of the SLIP BASE must be aluminum.
  - Either a Welded Stub Base or Bolted Stub/Sleeve Base may be used in Slip Base.
  - For cast base plates bolted to foundation stubs, use a foundation stub the same size as the sign column (Post).
- Slip-Base Assembly Instructions:**
  - Assemble the Slip Base as follows:
    - Insert Post into Sleeve and connect using 2 - 1/2" diameter Sleeve Bolts.
    - Assemble top base plate to bottom Base Plate using Base Bolts (High strength) with 3 washers per bolt. (See Detail 'A'):
      - Place one washer on each Base Bolt between the bottom Base Plate and the Base Bolt head.
      - Place the next washer between the Bottom Base Plate and the Bolt Keeper Plate.
      - Use brass or galvanized steel shims to plumb the post.
      - Place the third washer between the Top Base Plate and the Nut.
  - Orient the Bolt Keeper Plates in the Direction of Traffic.
  - Tighten Base Bolts as follows:
    - Tighten Base Bolts to the maximum possible with a 12" to 15" wrench (this will bed the washers and shims and clear the bolt threads).
    - Loosen each Base Bolt one turn.
    - Under the supervision of the Engineer, use a calibrated wrench to tighten bolts to the torque prescribed in the SLIP BASE DETAILS Table. Over tightened Base Bolts are not permitted.
    - Distort bolt threads at the junction with nuts to prevent loosening. Repair damaged galvanizing.
  - Obtain a tight sleeve connection by placing 4 galvanized steel shims between the column (post) and sleeve. Space the shims evenly around the perimeter of the column (1 between each bolt hole, 4 total). Use shims that are 1" shorter than the height of the sleeve.

Column (Post) Size		SLIP BASE DETAILS												
Outside Dia.	Wall Thickness	Sleeve I.D. (Max.)	Sleeve Height 'H'	Weld 'W'	Base Plate 'L'	Base Plate 'T'	Radius 'R'	Base Bolt Size	Base Bolt Length	Base Plate Torque ft.-lbs	Base Plate Torque in.-lbs	Hole Size 'D'	SHIM	
													L	M
4"	1/4"	4 1/16"	6"	1/4"	8"	3/4"	1 1/2"	3/8"	3"	29	345	1 1/16"	1 3/8"	1 1/16"
4 1/2"	1/4"	4 3/16"	6"	1/4"	8"	7/8"	1 1/2"	3/8"	3 1/4"	29	345	1 1/16"	1 3/8"	1 1/16"
5"	1/4"	5 1/16"	7"	1/4"	8"	7/8"	1 1/2"	3/8"	3 1/4"	29	345	1 1/16"	1 3/8"	1 1/16"
6"	1/4"	6 1/16"	8"	1/4"	9"	1"	1 3/2"	3/4"	3 1/2"	46	554	1 3/16"	1 3/4"	1 3/16"
8"	1/4"	8 1/16"	10"	1/4"	11"	1"	1 5/2"	7/8"	3 3/4"	53	640	1 5/16"	2 3/8"	1 1/16"

**SLIP BASE AND FOUNDATION DETAILS**

LAST REVISION 11/01/20	DESCRIPTION:		FY 2021-22 STANDARD PLANS	SINGLE COLUMN GROUND SIGNS	INDEX	SHEET
					700-010	4 of 10

- NOTES:**
- SLIP BASE AND FOUNDATION FROM FDOT STANDARD PLAN INDEX 700-010 TO BE USED TO FABRICATE SLIP BASE ASSEMBLY AND FOR REFERENCE GUIDE FOR A SHAFT FOOTING DESIGN. FOOTING DIMENSIONS AND DESIGN TO BE ENGINEERED BY CONTRACTOR FOR THE SIGN TYPES IDENTIFIED IN THESE DESIGN INTERNET DRAWINGS.
  - SPREAD FOOTING (SHALLOW DEPTH) MAY BE REQUIRED FOR SIGN INSTALLATION AT LOCATIONS WHERE FIELD CONDITIONS REVEAL CONFLICTS WITH SUBSURFACE CONDITIONS. CONTRACTOR TO DESIGN AND PERMIT AN ALTERNATE SPREAD FOUNDATION TO ACCOUNT FOR THESE POTENTIAL CONDITIONS.

**Kimley-Horn**  
1920 WERKVA WAY #200  
WEST PALM BEACH, FL 33411  
PHONE: 561-945-0665 FAX:  
561-530-2245  
WWW.KIMLEY-HORN.COM  
REGISTRY #096  
© 2020 KIMLEY-HORN AND  
ASSOCIATES, INC.

REAL: JONATHAN D. HAIGH, PLA  
STATE LICENSE NUMBER  
LA #6666795  
06/30/2022

DRAWN BY: DATE: 07/01/2021  
DESIGNED BY: SCALE: AS SHOWN  
CHECKED BY: FIELD BOOK:

CITY OF FORT LAUDERDALE  
TRANSPORTATION & MOBILITY  
290 NE 3RD AVE., FORT LAUDERDALE, FL 33301

NO.	DATE	BY	CHKD	DESCRIPTION

PROJECT # 12557  
NE 4TH AVENUE STREETSCAPE PROJECT  
E SUNRISE BLVD TO NE 13TH ST  
FORT LAUDERDALE, FL  
FDOT POST MOUNT DETAIL

SHEET NO.  
L2.11

ALTERNATE BID ITEM

Plotted By: Hargrett, Tom Sheet Set: NE 4th Avenue Layout: L2.11 FDOT POST MOUNT DETAIL June 29, 2022 09:11:17am K:\WPB\_JUR\043184061 - NE 4th AVE FTL\CAD\Plan\sheet\L2.00 HARDCAPE PLAN .dgn  
 10/12/2020 8:54:04 AM