

Kimley»Horn
 1920 WERVA WAY #200
 WEST PALM BEACH, FL 33411
 PHONE: 561-945-0665 FAX: 561-530-2245
 WWW.KIMLEY-HORN.COM
 REGISTRY 696
 © 2023 KIMLEY-HORN AND ASSOCIATES, INC.

REAL: JONATHAN D. HAIGH, PLA
 STATE LICENSE NUMBER L.A. #6666795
 06/30/2022

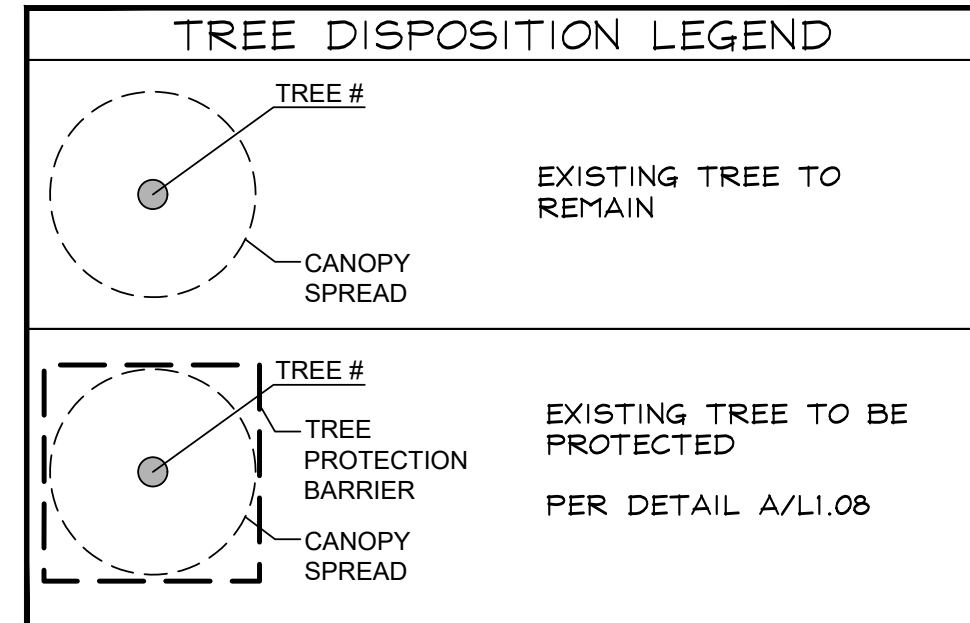
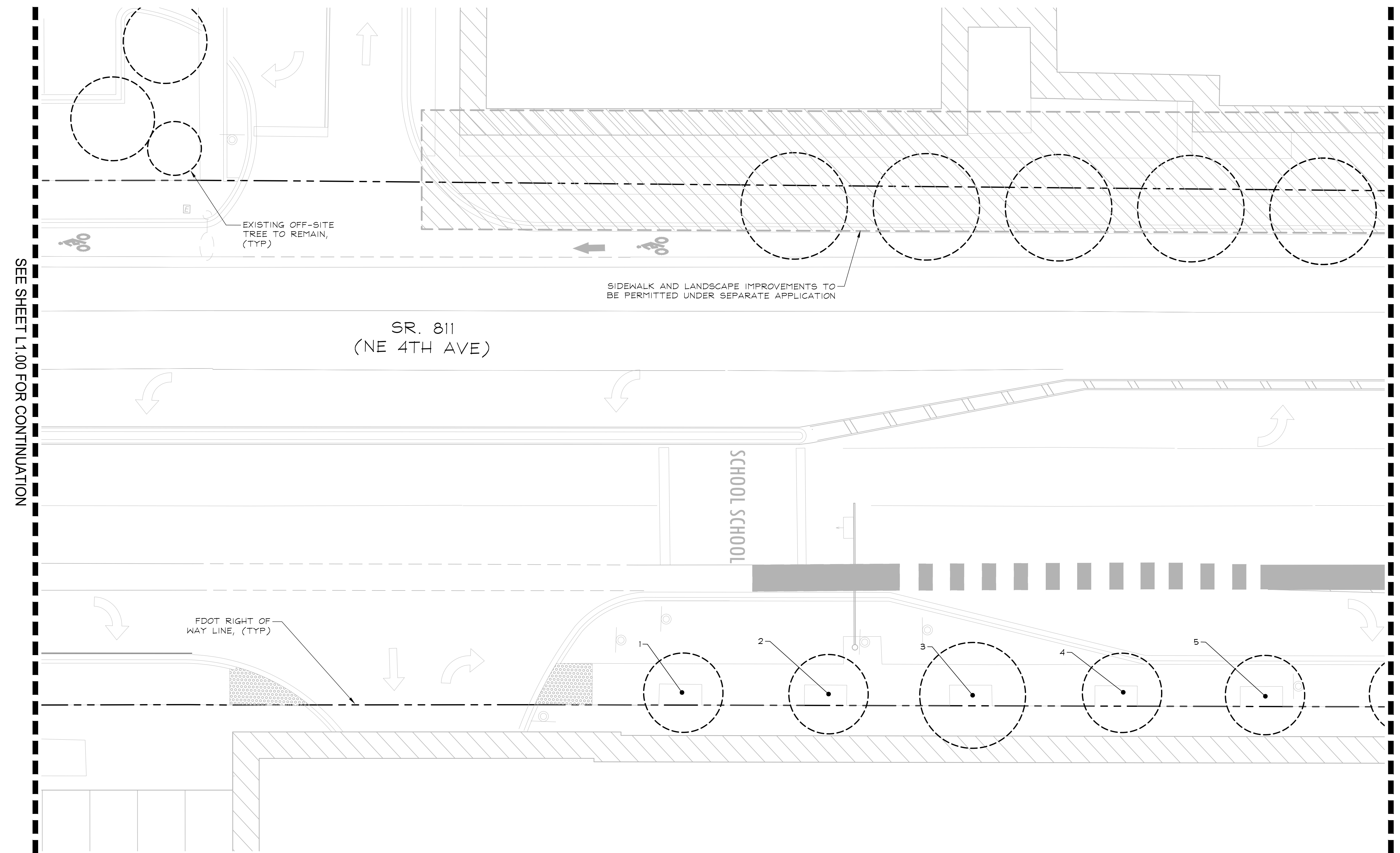
DRAWN BY: DATE: 07/01/2021
 DESIGNED BY: SCALE: AS SHOWN
 CHECKED BY: FIELD BOOK:

CITY OF FORT LAUDERDALE
 TRANSPORTATION & MOBILITY
 290 NE 3RD AVE., FORT LAUDERDALE, FL 33301

REVISIONS		DESCRIPTION
NO.	DATE	BY

PROJECT # 12557
 NE 4TH AVENUE STREETSCAPE PROJECT
 E SUNRISE BLVD TO NE 13TH ST
 FORT LAUDERDALE, FL
 TREE DISPOSITION PLAN

SHEET NO. L1.01



VERTICAL DATUM
 ELEVATIONS SHOWN HEREON ARE BASED ON THE NORTH AMERICAN VERTICAL DATUM OF 1988.
 NAVD '88 ELEV. + 1.565' = NGVD '29 ELEVATION

THE PRESENCE OF GROUNDWATER SHOULD BE ANTICIPATED. CONTRACTOR'S BID SHALL INCLUDE CONSIDERATION FOR ADDRESSING THIS ISSUE AND OBTAINING ALL NECESSARY PERMITS.

CALL 2 WORKING DAYS BEFORE YOU DIG

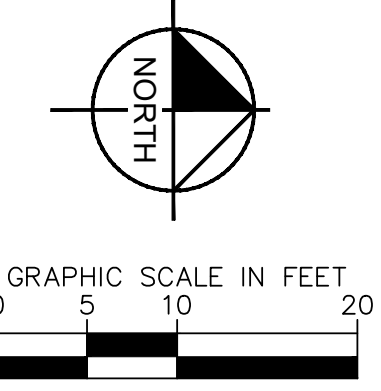
811

IT'S THE LAW! DIAL 811

Know what's below. Call before you dig.

SUNSHINE STATE ONE CALL OF FLORIDA, INC.

Plotted By: Hargrett, Tom Sheet Set: NE 4th Avenue Layout: L1.01 TREE DISPOSITION PLAN June 29, 2022 09:10:01am K:\WPB_LURG\043184061 - NE 4th AVE FTL\CAD\Plan sheets\L1.00 TREE DISPOSITION.dwg



Kimley»Horn
 1920 WEKIVA WAY #200
 WEST PALM BEACH, FL 33411
 PHONE: 561-945-0665 FAX: 561-530-5245
 WWW.KIMLEY-HORN.COM
 REGISTRY 696
 © 2023 KIMLEY-HORN AND ASSOCIATES, INC.

REAL:
 JONATHAN D. HAIGH, PLA
 STATE LICENSE NUMBER
 LA #6666795
 06/30/2022

DRAWN BY: DATE: 07/01/2021
 DESIGNED BY: SCALE: AS SHOWN
 CHECKED BY:
 FIELD BOOK:

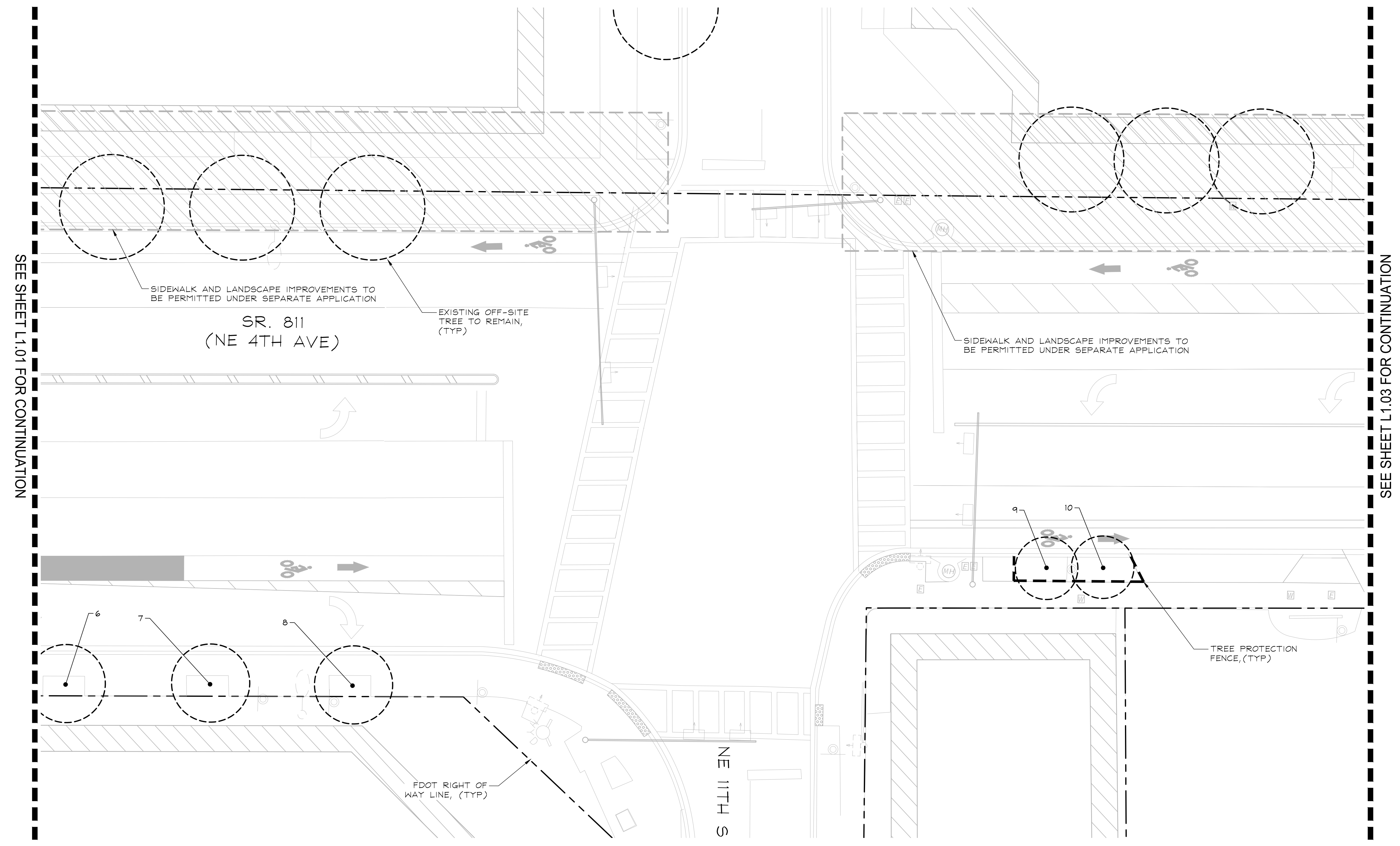
CITY OF FORT LAUDERDALE
 TRANSPORTATION & MOBILITY

 290 NE 3RD AVE., FORT LAUDERDALE, FL 33301

REVISIONS	
NO.	DESCRIPTION

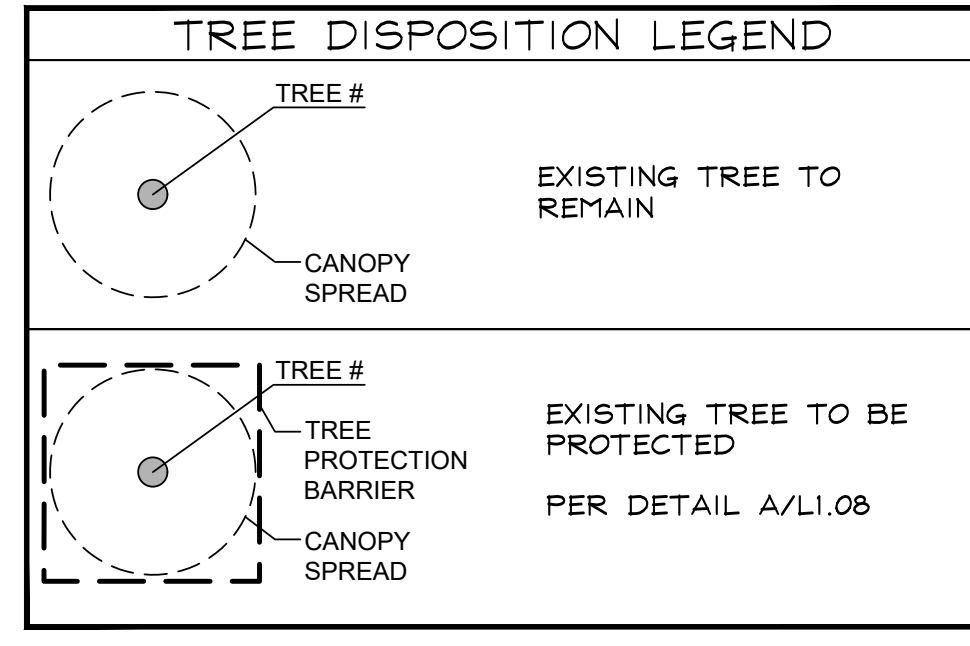
PROJECT # 12557
 NE 4TH AVENUE STREETSCAPE PROJECT
 E SUNRISE BLVD TO NE 13TH ST
 FORT LAUDERDALE, FL
 TREE DISPOSITION PLAN

SHEET NO.
L1.02



SEE SHEET L1.01 FOR CONTINUATION

SEE SHEET L1.03 FOR CONTINUATION



VERTICAL DATUM
 ELEVATIONS SHOWN HEREON ARE BASED ON THE NORTH AMERICAN VERTICAL DATUM OF 1988.
 NAVD '88 ELEV. + 1.565' = NGVD '29 ELEVATION

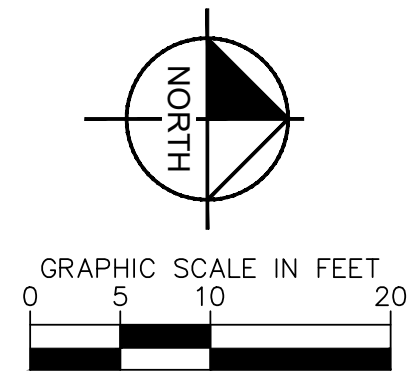
THE PRESENCE OF GROUNDWATER SHOULD BE ANTICIPATED. CONTRACTOR'S BID SHALL INCLUDE CONSIDERATION FOR ADDRESSING THIS ISSUE AND OBTAINING ALL NECESSARY PERMITS.

CALL 2 WORKING DAYS BEFORE YOU DIG



IT'S THE LAW!
 DIAL 811
 SUNSHINE STATE ONE CALL OF FLORIDA, INC.

Plotted By: Hargrett, Tom Sheet Set: NE 4th Avenue Layout: L1.02 TREE DISPOSITION PLAN June 29, 2022 09:10:03am K:\WPB_LJRG_04\3184061 - NE 4th Ave FTL CAD\Plansheets\L1.00 TREE DISPOSITION.dwg



Kimley»Horn
 1920 WEKIVA WAY #200
 WEST PALM BEACH, FL 33411
 PHONE: 561-945-0665 FAX: 561-530-2245
 WWW.KIMLEY-HORN.COM
 REGISTRY 096
 © 2023 KIMLEY-HORN AND ASSOCIATES, INC.

REAL:
 JONATHAN D. HAIGH, PLA
 STATE LICENSE NUMBER
 LA #6666795
 06/30/2022

DRAWN BY: DATE: 07/01/2021
 DESIGNED BY: SCALE: AS SHOWN
 CHECKED BY:
 FIELD BOOK:

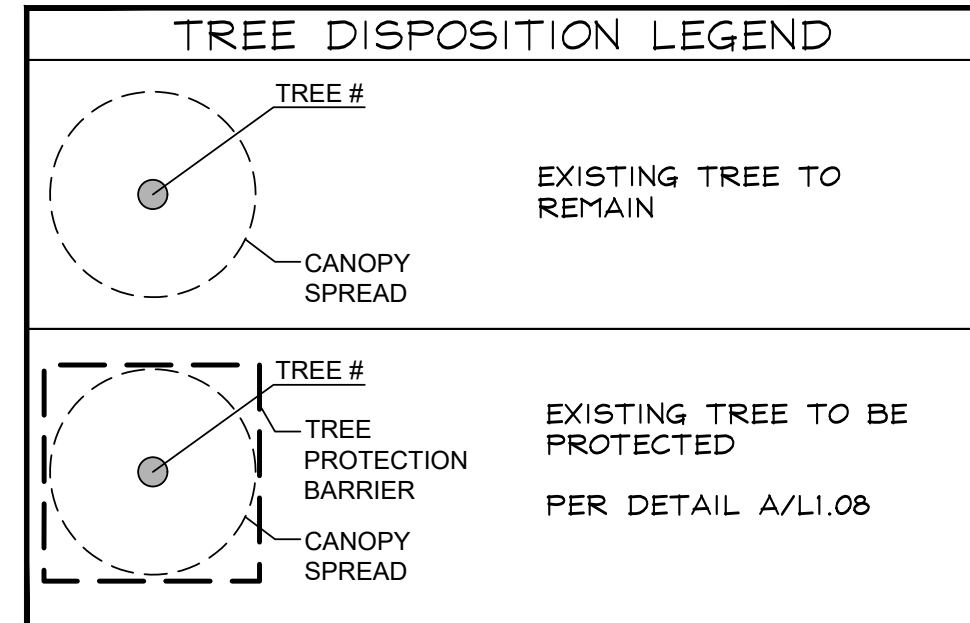
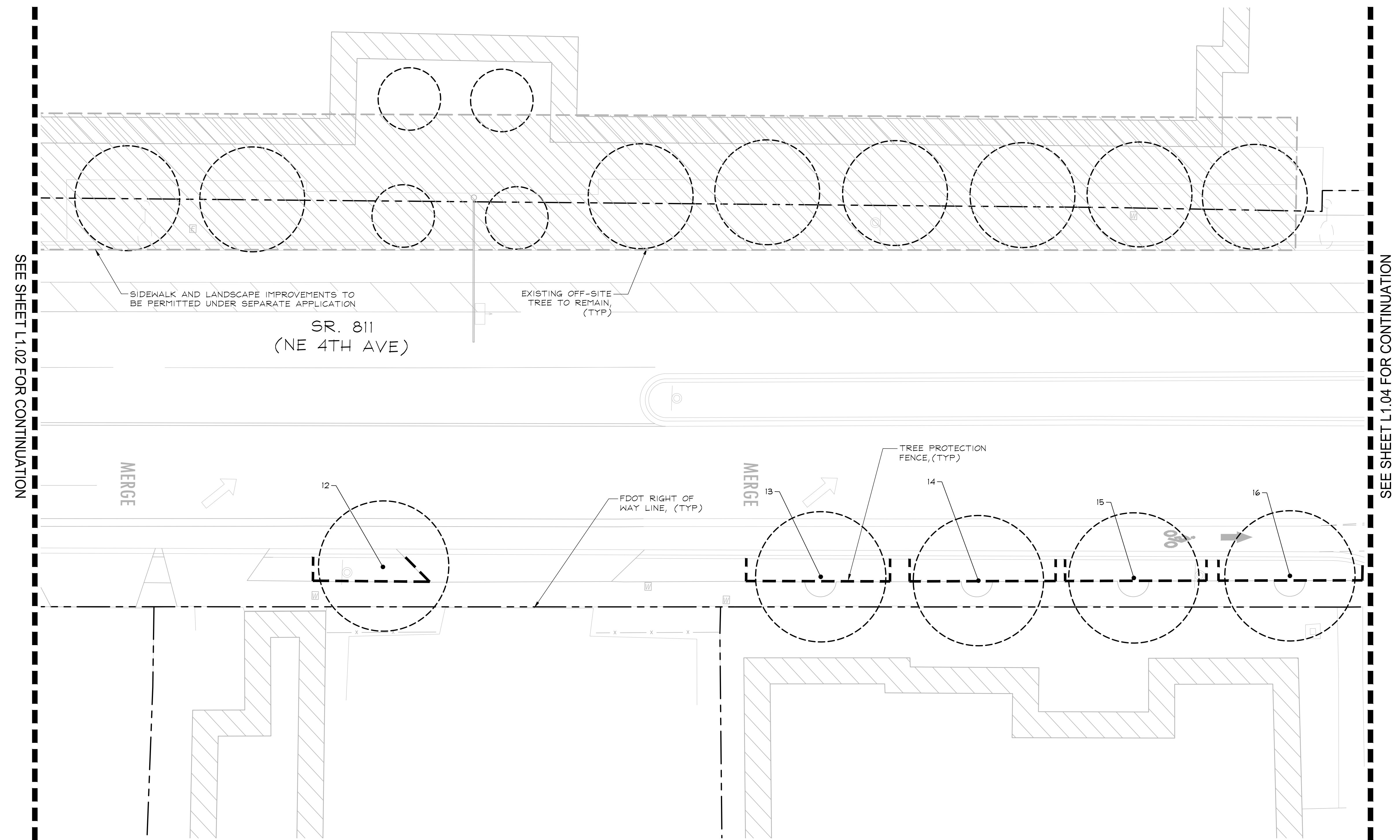
CITY OF FORT LAUDERDALE
 TRANSPORTATION & MOBILITY

 290 NE 3RD AVE., FORT LAUDERDALE, FL 33301

REVISIONS		DESCRIPTION
NO.	DATE	BY (CHK'D)

PROJECT # 12557
 NE 4TH AVENUE STREETSCAPE PROJECT
 E SUNRISE BLVD TO NE 13TH ST
 FORT LAUDERDALE, FL
 TREE DISPOSITION PLAN

SHEET NO.
L1.03



VERTICAL DATUM
 ELEVATIONS SHOWN HEREON ARE BASED ON THE NORTH AMERICAN VERTICAL DATUM OF 1988.
 NAVD '88 ELEV. + 1.565' = NGVD '29 ELEVATION

THE PRESENCE OF GROUNDWATER SHOULD BE ANTICIPATED. CONTRACTOR'S BID SHALL INCLUDE CONSIDERATION FOR ADDRESSING THIS ISSUE AND OBTAINING ALL NECESSARY PERMITS.

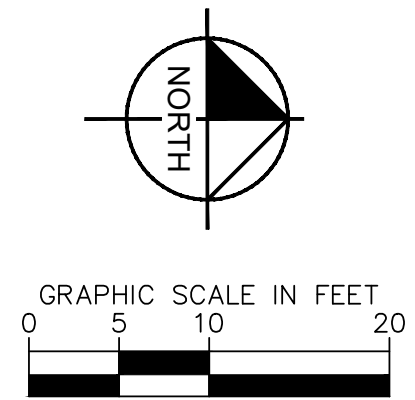
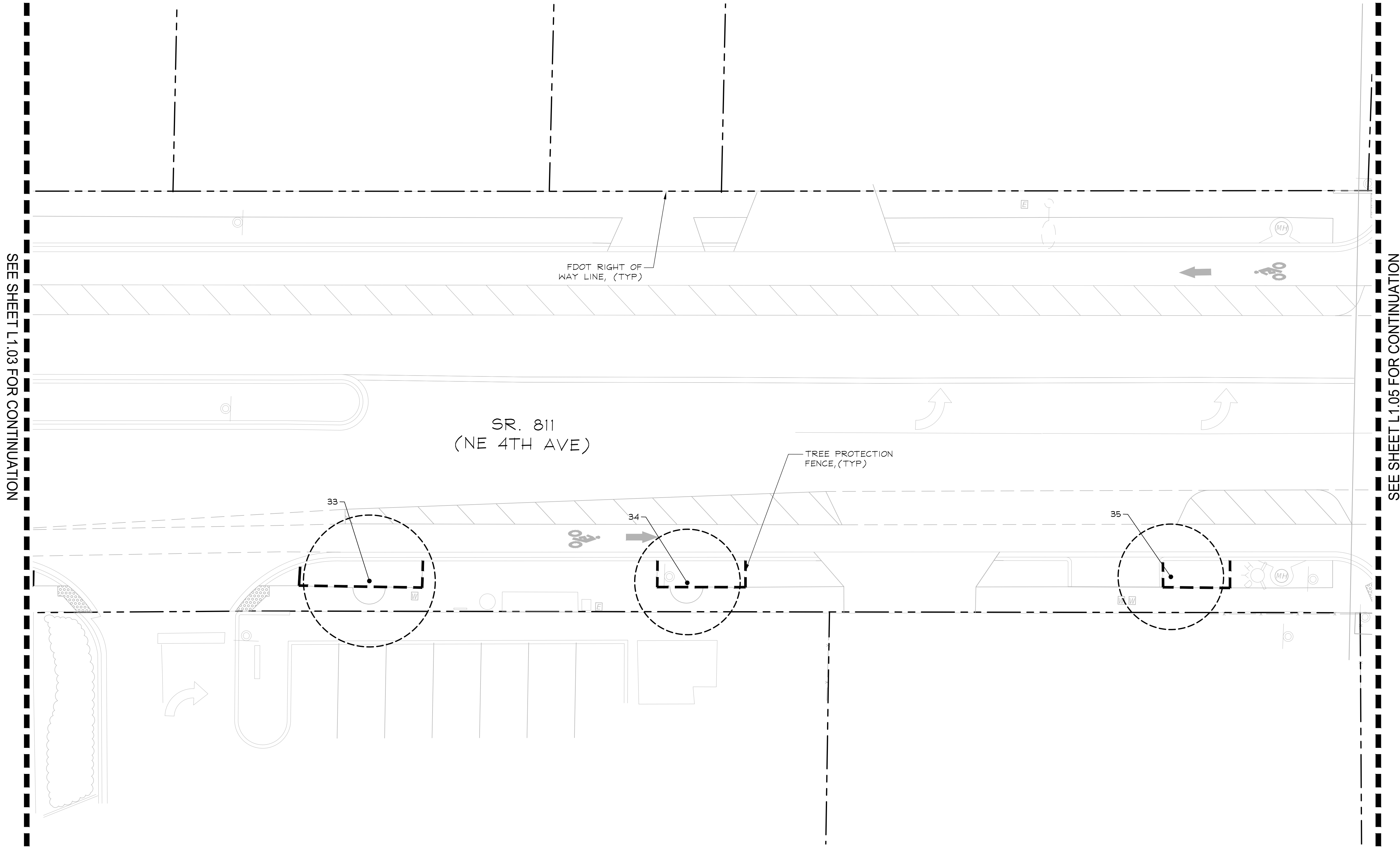
CALL 2 WORKING DAYS BEFORE YOU DIG



IT'S THE LAW!
 DIAL 811
 Know what's below.
 Call before you dig.
 SUNSHINE STATE ONE CALL OF FLORIDA, INC.

Plotted By: Hargrett, Tom Sheet Set: NE 4th Avenue Layout: L1.03 TREE DISPOSITION PLAN June 29, 2022 09:10:06am K:\WPB_LRG_04\3184061 - NE 4th AVE FTL CAD\Drawings\L1.00 TREE DISPOSITION.dwg

Plotted By: Hargrett, Tom Sheet Set: NE 4th Avenue Layout: L1.04 TREE DISPOSITION PLAN June 29, 2022 09:10:08am K:\VFPB_LJRG_04\3184061 - NE 4th AVE FTL CAD\Plansheets\L1.00 TREE DISPOSITION.dwg



Kimley»Horn
1920 WEKIVA WAY #200
WEST PALM BEACH, FL 33411
PHONE: 561-945-0665 FAX: 561-530-2245
WWW.KIMLEY-HORN.COM
REGISTRY 096
© 2023 KIMLEY-HORN AND ASSOCIATES, INC.

REAL:
JONATHAN D. HAIGH, PLA
STATE LICENSE NUMBER
LA #6666795
06/30/2022

DRAWN BY:	DATE:
DESIGNED BY:	SCALE:
CHECKED BY:	AS SHOWN
FIELD BOOK:	

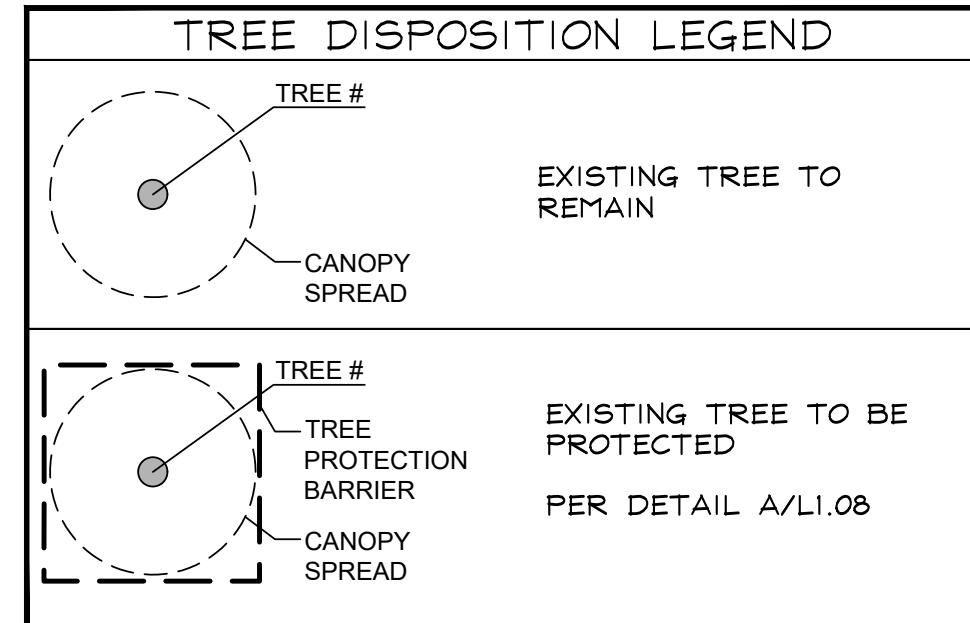
CITY OF FORT LAUDERDALE
TRANSPORTATION & MOBILITY

290 NE 3RD AVE., FORT LAUDERDALE, FL 33301

REVISIONS		DESCRIPTION
NO.	DATE	BY (CHK'D)

PROJECT # 12557
NE 4TH AVENUE STREETScape PROJECT
E SUNRISE BLVD TO NE 13TH ST
FORT LAUDERDALE, FL
TREE DISPOSITION PLAN

SHEET NO.
L1.04



VERTICAL DATUM
ELEVATIONS SHOWN HEREON ARE BASED ON THE NORTH AMERICAN VERTICAL DATUM OF 1988.
NAVD '88 ELEV. + 1.565' = NGVD '29 ELEVATION

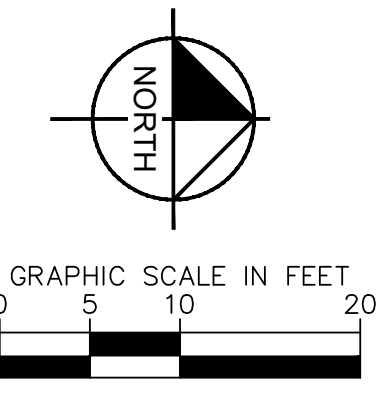
THE PRESENCE OF GROUNDWATER SHOULD BE ANTICIPATED. CONTRACTOR'S BID SHALL INCLUDE CONSIDERATION FOR ADDRESSING THIS ISSUE AND OBTAINING ALL NECESSARY PERMITS.

CALL 2 WORKING DAYS BEFORE YOU DIG



IT'S THE LAW!
DIAL 811
Know what's below.
Call before you dig.

SUNSHINE STATE ONE CALL OF FLORIDA, INC.



Kimley»Horn
1920 WEKIVA WAY #200
WEST PALM BEACH, FL 33411
PHONE: 561-945-0665 FAX:
561-530-5245
WWW.KIMLEY-HORN.COM
REGISTRY 096
© 2023 KIMLEY-HORN AND
ASSOCIATES, INC.

REAL:
JONATHAN D. HAIGH, PLA
STATE LICENSE NUMBER
LA #6666795
06/30/2022

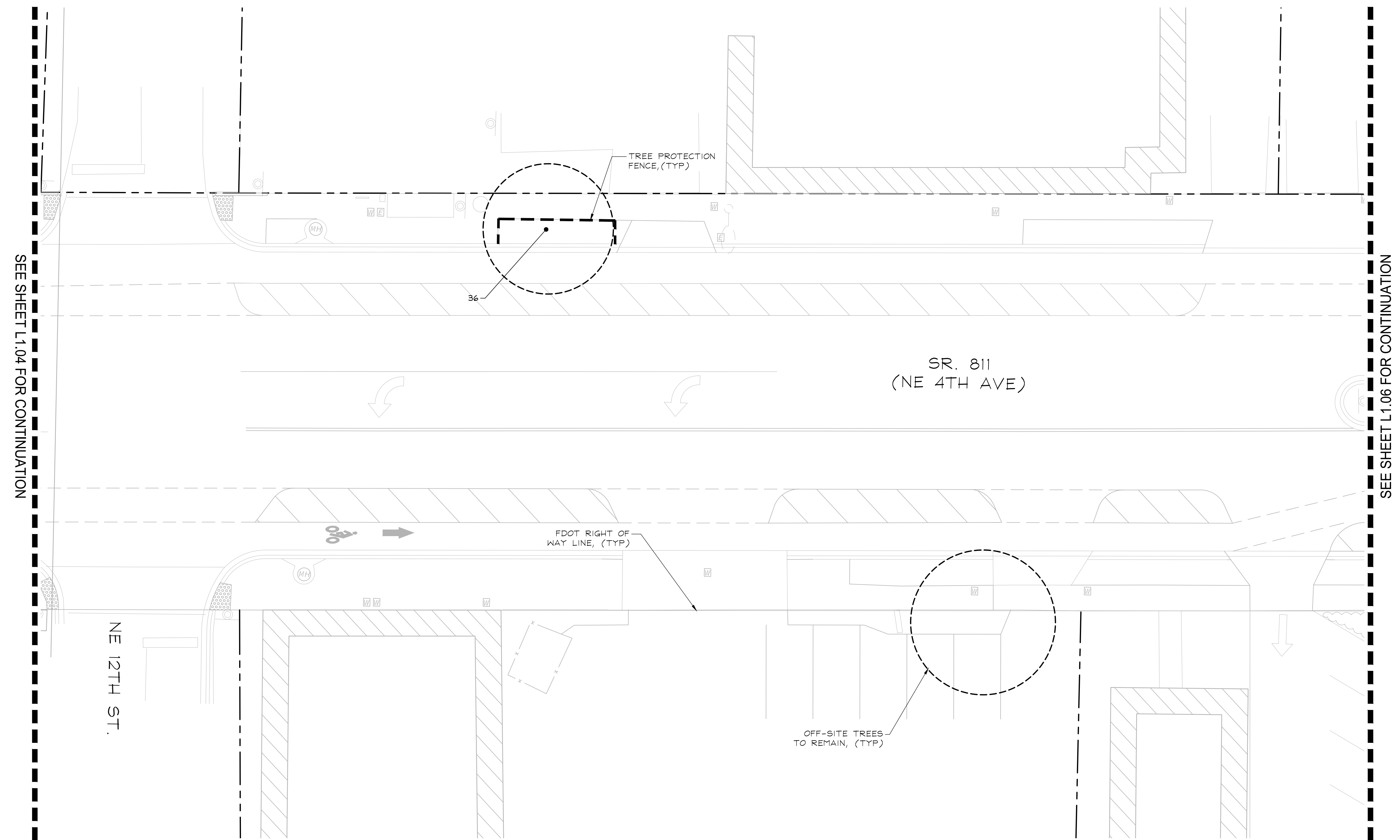
DRAWN BY: DATE: 07/01/2021
DESIGNED BY: SCALE: AS SHOWN
CHECKED BY:
FIELD BOOK:

CITY OF FORT LAUDERDALE
TRANSPORTATION & MOBILITY
290 NE 3RD AVE., FORT LAUDERDALE, FL 33301

REVISIONS	
NO.	DESCRIPTION

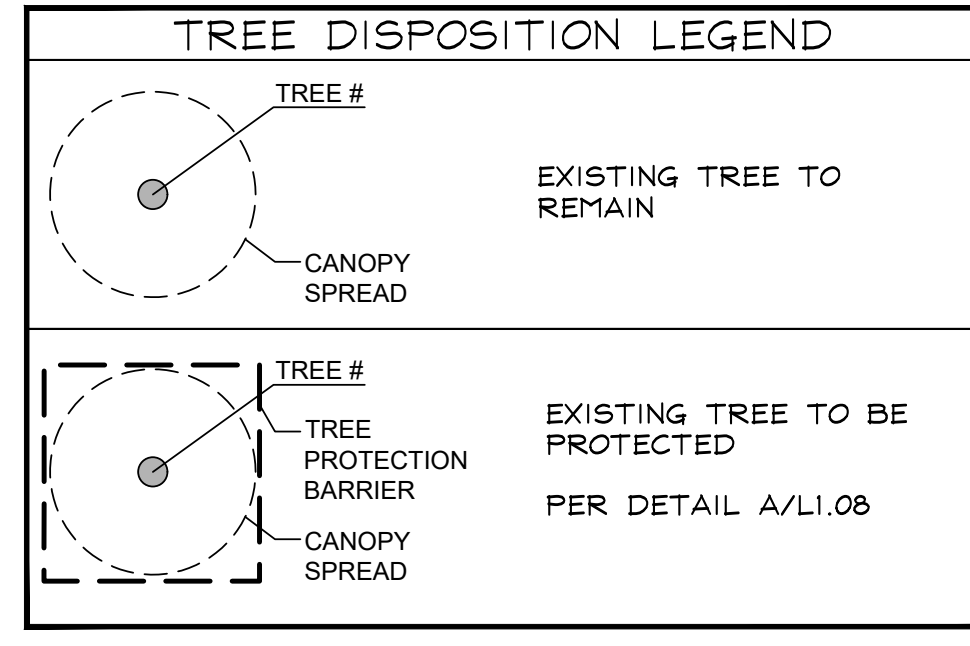
PROJECT # 12557
NE 4TH AVENUE STREETSCAPE PROJECT
E SUNRISE BLVD TO NE 13TH ST
FORT LAUDERDALE, FL
TREE DISPOSITION PLAN

SHEET NO.
L1.05



SEE SHEET L1.04 FOR CONTINUATION

SEE SHEET L1.06 FOR CONTINUATION



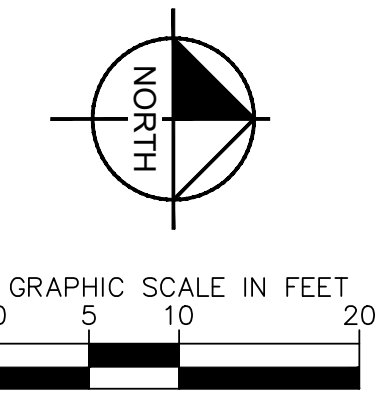
VERTICAL DATUM
ELEVATIONS SHOWN HEREON ARE BASED ON THE
NORTH AMERICAN VERTICAL DATUM OF 1988.
NAVD '88 ELEV. + 1.565' = NGVD '29 ELEVATION

THE PRESENCE OF GROUNDWATER SHOULD BE
ANTICIPATED. CONTRACTOR'S BID SHALL
INCLUDE CONSIDERATION FOR ADDRESSING THIS
ISSUE AND OBTAINING ALL NECESSARY PERMITS.

CALL 2 WORKING DAYS
BEFORE YOU DIG



IT'S THE LAW!
DIAL 811
SUNSHINE STATE ONE CALL OF FLORIDA, INC.



Kimley»Horn
 1920 WEKIVA WAY #200
 WEST PALM BEACH, FL 33411
 PHONE: 561-945-0665 FAX: 561-530-2245
 WWW.KIMLEY-HORN.COM
 REGISTRY 096
 © 2023 KIMLEY-HORN AND ASSOCIATES, INC.

REAL:
 JONATHAN D. HAIGH, PLA
 STATE LICENSE NUMBER
 LA #6666795
 06/30/2022

DRAWN BY: DATE: 07/01/2021
 DESIGNED BY: SCALE: AS SHOWN
 CHECKED BY:
 FIELD BOOK:

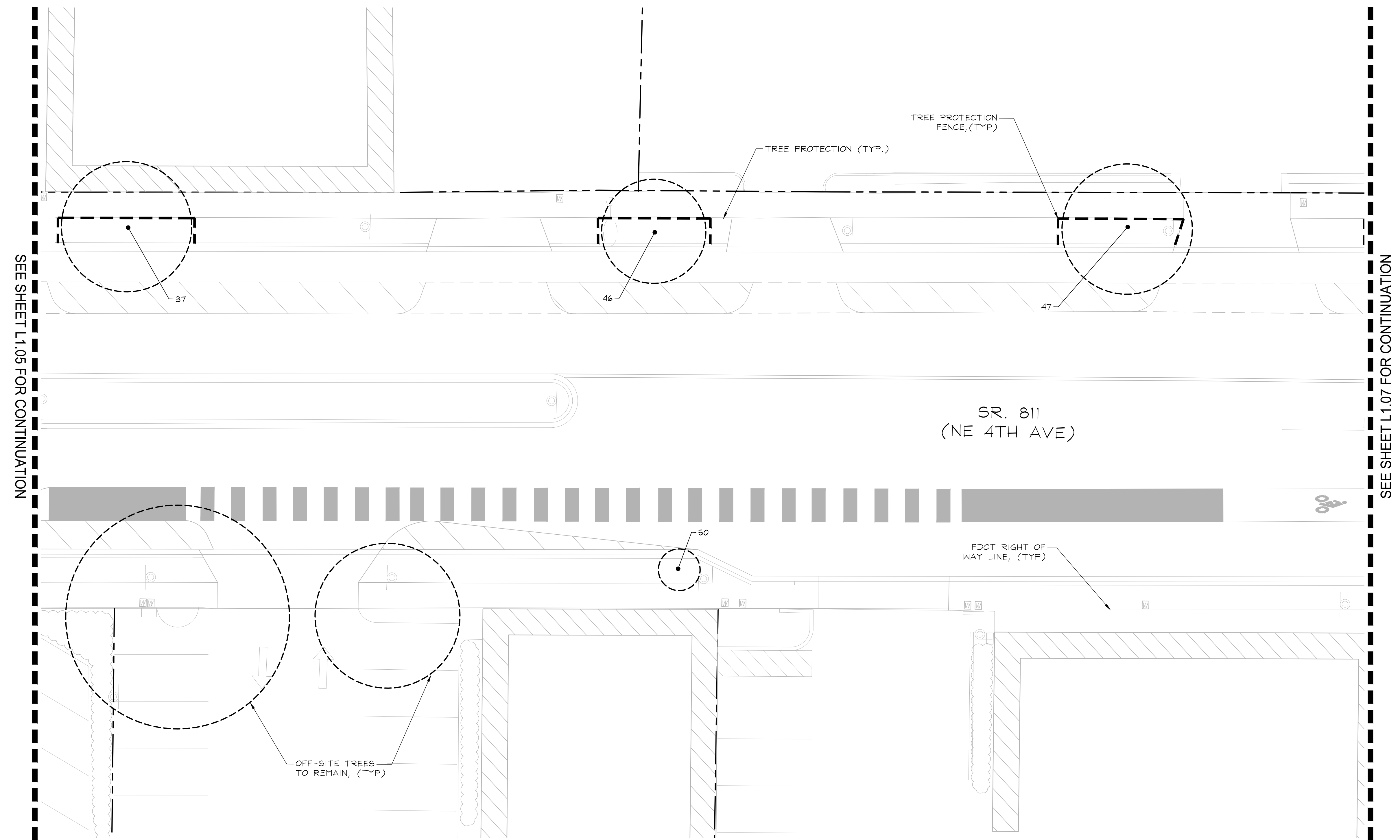
CITY OF FORT LAUDERDALE
 TRANSPORTATION & MOBILITY

 290 NE 3RD AVE., FORT LAUDERDALE, FL 33301

REVISIONS		DESCRIPTION
NO.	DATE	BY (CHK'D)

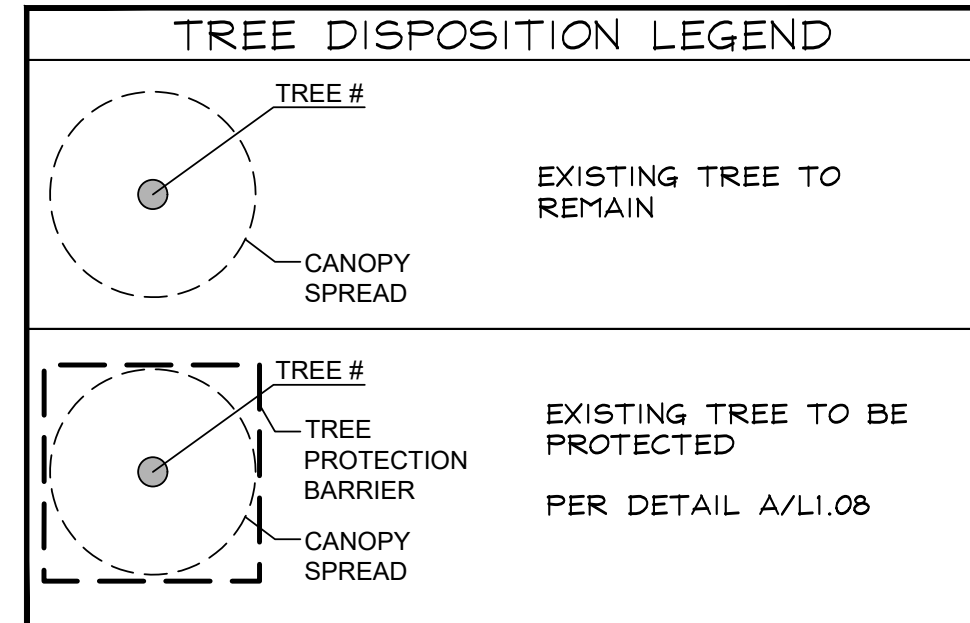
PROJECT # 12557
 NE 4TH AVENUE STREETSCAPE PROJECT
 E SUNRISE BLVD TO NE 13TH ST
 FORT LAUDERDALE, FL
 TREE DISPOSITION PLAN

SHEET NO.
L1.06



SEE SHEET L1.05 FOR CONTINUATION

SEE SHEET L1.07 FOR CONTINUATION



VERTICAL DATUM
 ELEVATIONS SHOWN HEREON ARE BASED ON THE NORTH AMERICAN VERTICAL DATUM OF 1988.
 NAVD '88 ELEV. + 1.565' = NGVD '29 ELEVATION

THE PRESENCE OF GROUNDWATER SHOULD BE ANTICIPATED. CONTRACTOR'S BID SHALL INCLUDE CONSIDERATION FOR ADDRESSING THIS ISSUE AND OBTAINING ALL NECESSARY PERMITS.

CALL 2 WORKING DAYS BEFORE YOU DIG

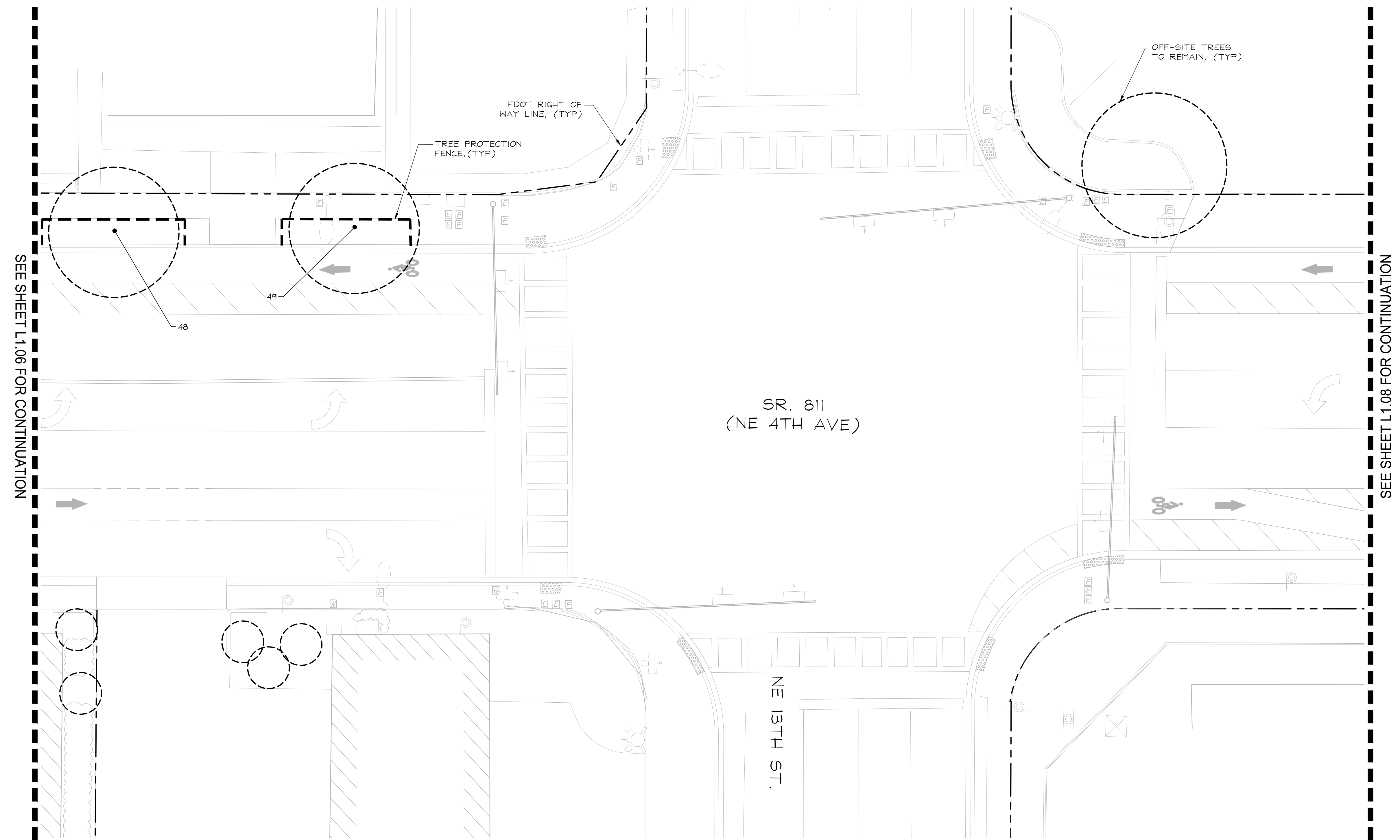


IT'S THE LAW! DIAL 811 Know what's below. Call before you dig.

SUNSHINE STATE ONE CALL OF FLORIDA, INC.

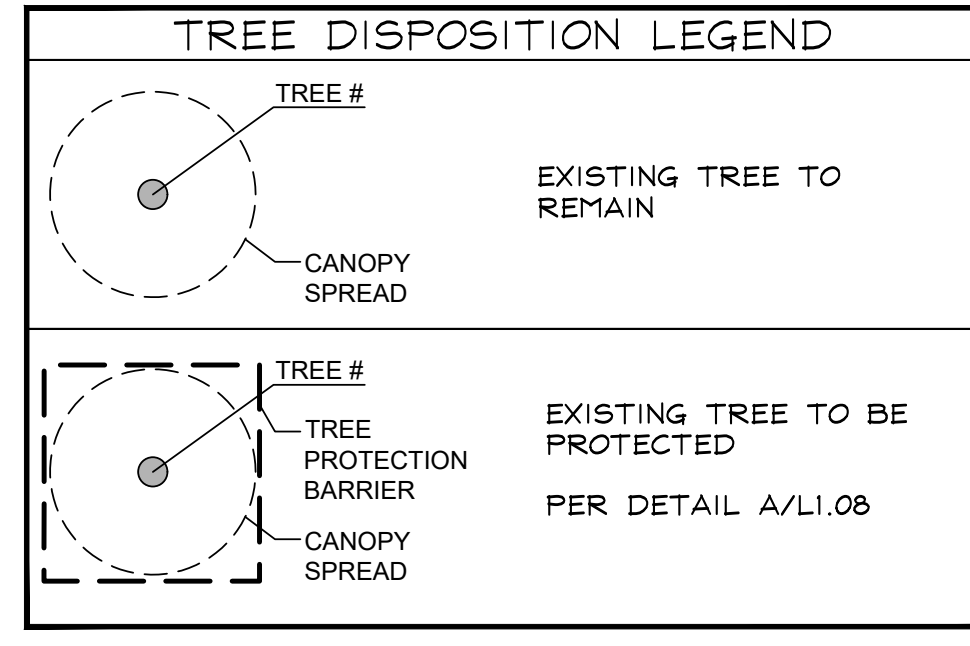
Plotted By: Hargrett, Tom Sheet Set: NE 4th Avenue Layout: L1.06 TREE DISPOSITION PLAN June 29, 2022 09:10:13am K:\WPB_LURG\043184061 - NE 4th Ave FTL\CAD\PlanSheets\L1.06 TREE DISPOSITION.dwg

Plotted By: Hargrett, Tom Sheet Set: NE 4th Avenue Layout: L1.07 TREE DISPOSITION PLAN June 29, 2022 09:10:15am K:\WPB_LRG\043184061 - NE 4th Ave FTL\CAD\PlanSheets\L1.00 TREE DISPOSITION.dwg



SEE SHEET L1.06 FOR CONTINUATION

SEE SHEET L1.08 FOR CONTINUATION



VERTICAL DATUM
ELEVATIONS SHOWN HEREON ARE BASED ON THE
NORTH AMERICAN VERTICAL DATUM OF 1988.
NAVD '88 ELEV. + 1.565' = NGVD '29 ELEVATION

THE PRESENCE OF GROUNDWATER SHOULD BE
ANTICIPATED. CONTRACTOR'S BID SHALL
INCLUDE CONSIDERATION FOR ADDRESSING THIS
ISSUE AND OBTAINING ALL NECESSARY PERMITS.

CALL 2 WORKING DAYS
BEFORE YOU DIG



IT'S THE LAW!
DIAL 811
SUNSHINE STATE ONE CALL OF FLORIDA, INC.

REVISIONS

NO.	DATE	BY	CHK'D	DESCRIPTION

PROJECT # 12557
NE 4TH AVENUE STREETSCAPE PROJECT
E SUNRISE BLVD TO NE 13TH ST
FORT LAUDERDALE, FL
TREE DISPOSITION PLAN

SHEET NO.
L1.07

KimleyHorn
1920 WEKIVA WAY #200
WEST PALM BEACH, FL 33411
PHONE: 561-945-0665 FAX:
561-530-5245
WWW.KIMLEY-HORN.COM
REGISTRY #996
© 2022 KIMLEY-HORN AND
ASSOCIATES, INC.

REAL:
JONATHAN D. HAIGH, PLA
STATE LICENSE NUMBER
LA #6666795
06/30/2022

DRAWN BY: DATE: 07/01/2021
DESIGNED BY: SCALE: AS SHOWN
CHECKED BY:
FIELD BOOK:

CITY OF FORT LAUDERDALE
TRANSPORTATION
&
MOBILITY

290 NE 3RD AVE., FORT LAUDERDALE, FL 33301

Kimley»Horn

1920 WERVA WAY #200
WEST PALM BEACH, FL 33411
PHONE: 561-945-0665 FAX:
561-530-2245
WWW.KIMLEY-HORN.COM
REGISTRY 096
© 2023 KIMLEY-HORN AND
ASSOCIATES, INC.

REAL:
JONATHAN D. HAIGH, PLA
STATE LICENSE NUMBER
LA #6666795
06/30/2022

DRAWN BY:	DATE:	DESIGNED BY:	SCALE:
	07/01/2021		AS SHOWN
CHECKED BY:			

CITY OF FORT LAUDERDALE
TRANSPORTATION & MOBILITY
290 NE 3RD AVE., FORT LAUDERDALE, FL 33301

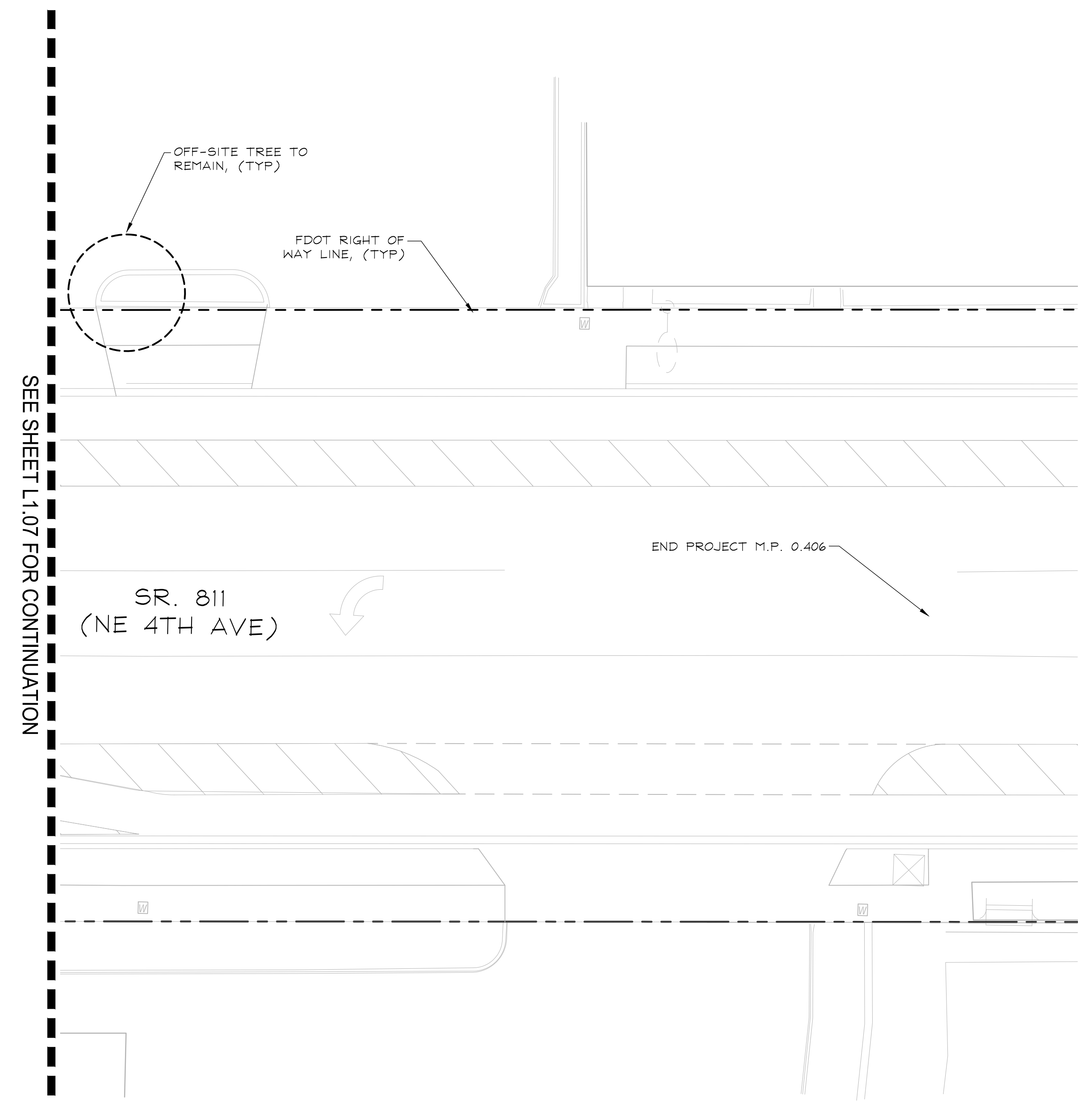
NO.	DATE	BY	CHK'D	DESCRIPTION

PROJECT # 12557
NE 4TH AVENUE STREETSCAPE PROJECT
E SUNRISE BLVD TO NE 13TH ST
FORT LAUDERDALE, FL
TREE DISPOSITION PLAN

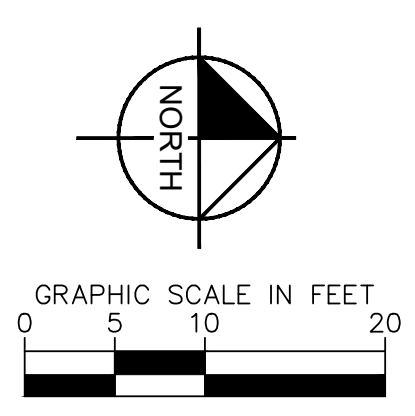
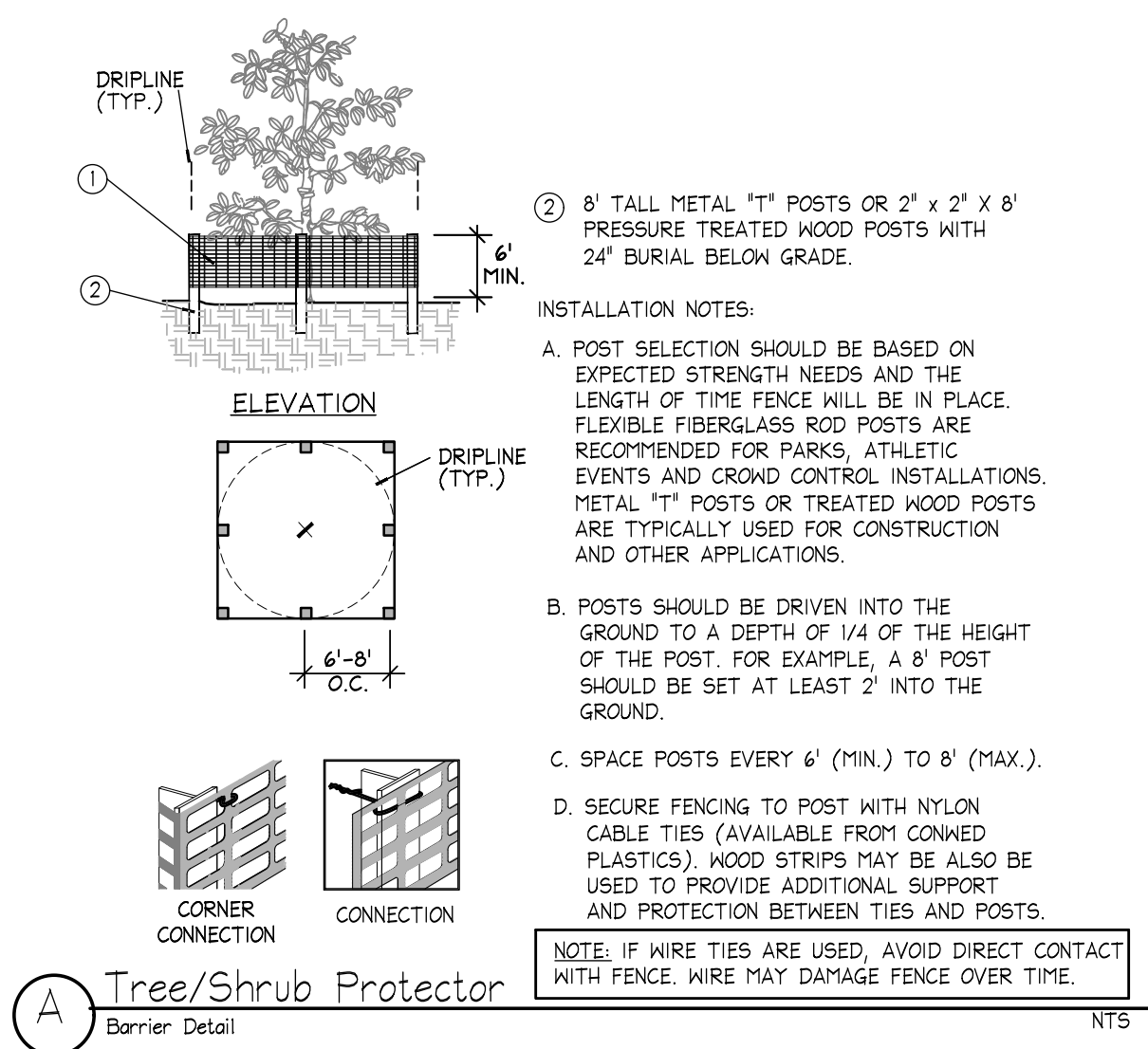
SHEET NO.
L1.08

- EXISTING TREE - PRUNING NOTES:**
- TREE PRUNING WORK MUST BE PERFORMED BY OR DIRECTLY SUPERVISED BY AN ISA CERTIFIED ARBORIST.
 - CONTRACTOR SHALL HOLD A PRE-PRUNING CONFERENCE WITH THE OWNER AND LANDSCAPE ARCHITECT PRIOR TO COMMENCING PRUNING OPERATIONS.
 - PRUNE TREES PER ANSI A300 FOR THE FOLLOWING:
 - MAINTENANCE** - TO MAINTAIN OR IMPROVE THE TREE'S HEALTH AND STRUCTURE
 - HAZARD REDUCTION** - TO REMOVE DEAD LIMBS OR OTHER VISIBLE HAZARDS FROM THE TREE CANOPY
 - CROWN CLEANING** - TO SELECTIVELY REMOVE DEAD, DYING OR DISEASED BRANCHES, WEAK BRANCHES, AND SUCKER SPROUTS
 - CROWN RAISING** - TO REMOVE LOWER BRANCHES TO PROVIDE VERTICAL CLEARANCE
 - VISTA PRUNING** - TO SELECTIVELY THIN FRAMEWORK LIMBS WITHIN THE CROWN TO ALLOW FOR VIEWS THROUGH THE TREE
 - CROWN RESTORATION** - TO IMPROVE THE STRUCTURE, FORM, AND APPEARANCE OF A TREE THAT HAS BEEN DAMAGED, HEADED, OR VANDALIZED

NO.	BOTANICAL NAME	COMMON NAME	DBH (in)	CT (ft)	SPR (ft)	CONDITION	DISPOSITION
1	<i>Washingtonia robusta</i>	Washington Palm	25	15	15	Good	Remain
2	<i>Washingtonia robusta</i>	Washington Palm	40	15	15	Good	Remain
3	<i>Washingtonia robusta</i>	Washington Palm	30	20	20	Good	Remain
4	<i>Washingtonia robusta</i>	Washington Palm	40	15	15	Good	Remain
5	<i>Washingtonia robusta</i>	Washington Palm	40	15	15	Good	Remain
6	<i>Washingtonia robusta</i>	Washington Palm	25	15	15	Good	Remain
7	<i>Washingtonia robusta</i>	Washington Palm	40	15	15	Good	Remain
8	<i>Washingtonia robusta</i>	Washington Palm	40	15	15	Good	Remain
9	<i>Sabal palmetto</i>	Cabbage Palm	10	12	12	Good	Remain
10	<i>Sabal palmetto</i>	Cabbage Palm	15	12	12	Good	Remain
11	<i>Quercus virginiana</i>	Southern Live Oak	7	25	25	Good	Remain
12	<i>Quercus virginiana</i>	Southern Live Oak	10	25	25	Good	Remain
13	<i>Quercus virginiana</i>	Southern Live Oak	6	25	25	Good	Remain
14	<i>Quercus virginiana</i>	Southern Live Oak	6	25	25	Good	Remain
15	<i>Quercus virginiana</i>	Southern Live Oak	6	25	25	Good	Remain
16	<i>Quercus virginiana</i>	Southern Live Oak	6	25	25	Good	Remain
33	<i>Quercus virginiana</i>	Southern Live Oak	14	30	25	Good	Remain
34	<i>Quercus virginiana</i>	Southern Live Oak	10	30	20	Good	Remain
35	<i>Quercus virginiana</i>	Southern Live Oak	8	25	20	Good	Remain
36	<i>Quercus virginiana</i>	Southern Live Oak	8	30	25	Good	Remain
37	<i>Quercus virginiana</i>	Southern Live Oak	35	25	25	Good	Remain
46	<i>Quercus virginiana</i>	Southern Live Oak	8	25	20	Good	Remain
47	<i>Quercus virginiana</i>	Southern Live Oak	10	25	25	Good	Remain
48	<i>Quercus virginiana</i>	Southern Live Oak	8	30	25	Good	Remain
49	<i>Quercus virginiana</i>	Southern Live Oak	10	30	25	Good	Remain
50	<i>Phoenix roebelenii</i>	Pygmy Date Palm	6	8	8	Good	Remain



SEE SHEET L1.07 FOR CONTINUATION



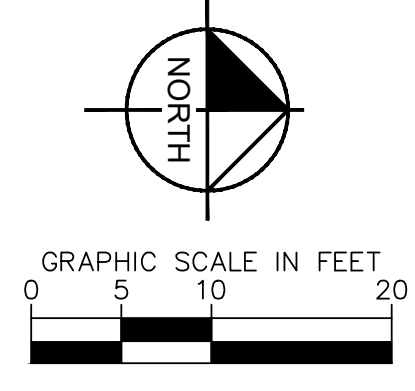
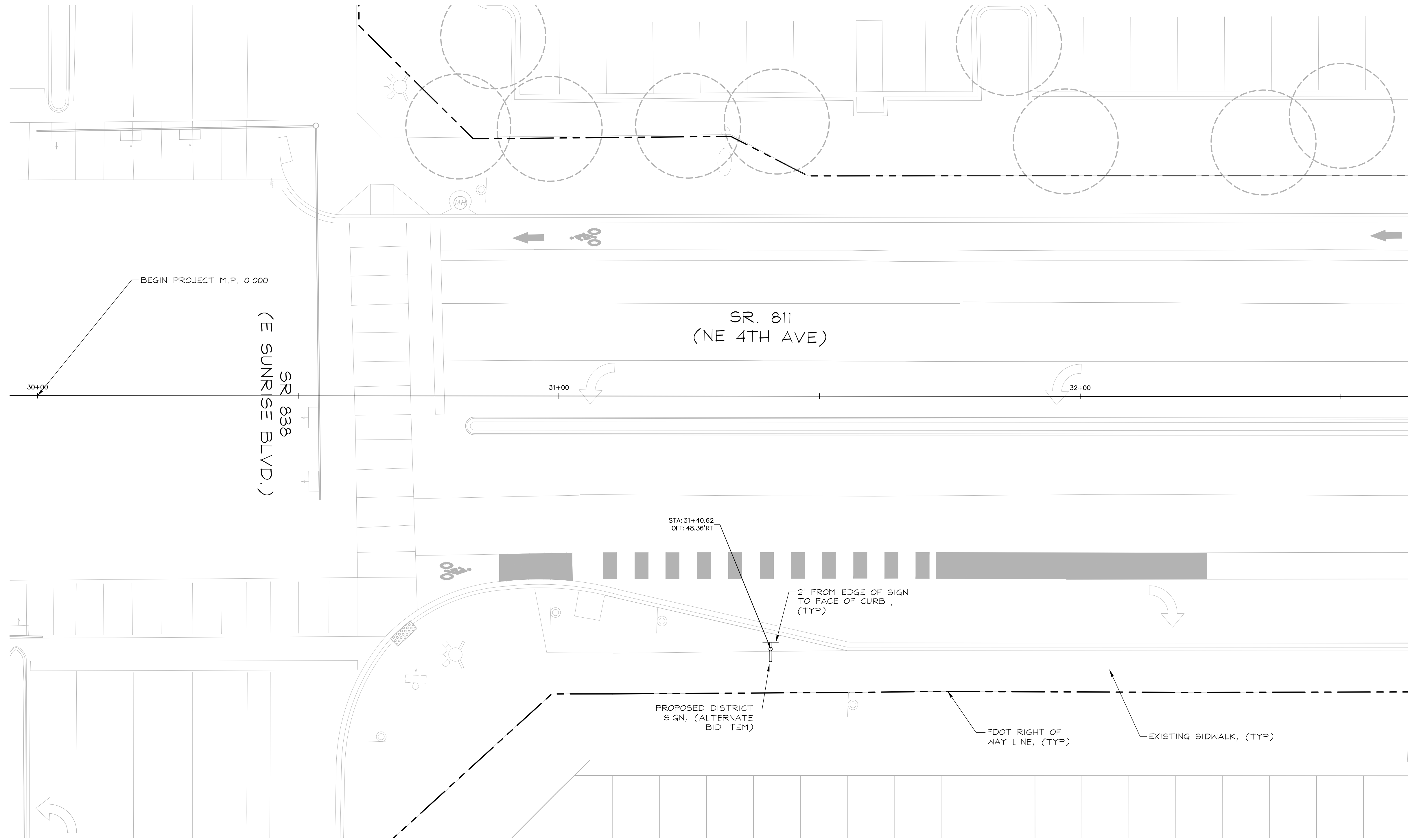
VERTICAL DATUM
ELEVATIONS SHOWN HEREON ARE BASED ON THE NORTH AMERICAN VERTICAL DATUM OF 1988.
NAVD '88 ELEV. + 1.565' = NGVD '29 ELEVATION

THE PRESENCE OF GROUNDWATER SHOULD BE ANTICIPATED. CONTRACTOR'S BID SHALL INCLUDE CONSIDERATION FOR ADDRESSING THIS ISSUE AND OBTAINING ALL NECESSARY PERMITS.

CALL 2 WORKING DAYS BEFORE YOU DIG

IT'S THE LAW!
DIAL 811
Know what's below.
Call before you dig.
SUNSHINE STATE ONE CALL OF FLORIDA, INC.

Plotted By: Hargrett, Tom Sheet Set: NE 4th Avenue Layout: L2.00 HARDSCAPE PLAN June 29, 2022 09:10:40am K:\WPB_LJRG\04-194061 - NE 4th AVE FTL\CAD\Plansheets\L2.00 HARDSCAPE PLAN.dwg




SEE SHEET L2.01 FOR CONTINUATION

Kimley»Horn
 1920 WEKIVA WAY #200
 WEST PALM BEACH, FL 33411
 PHONE: 561-945-0665 FAX: 561-530-5245
 WWW.KIMLEY-HORN.COM
 REGISTRY 096
 © 2022 KIMLEY-HORN AND ASSOCIATES, INC.

REAL:
 JONATHAN D. HAIGH, PLA
 STATE LICENSE NUMBER
 LA #6666795
 06/30/2022

DRAWN BY:	DATE:	DESIGNED BY:	SCALE:	AS SHOWN
	07/01/2021			
CHECKED BY:				
FIELD BOOK:				

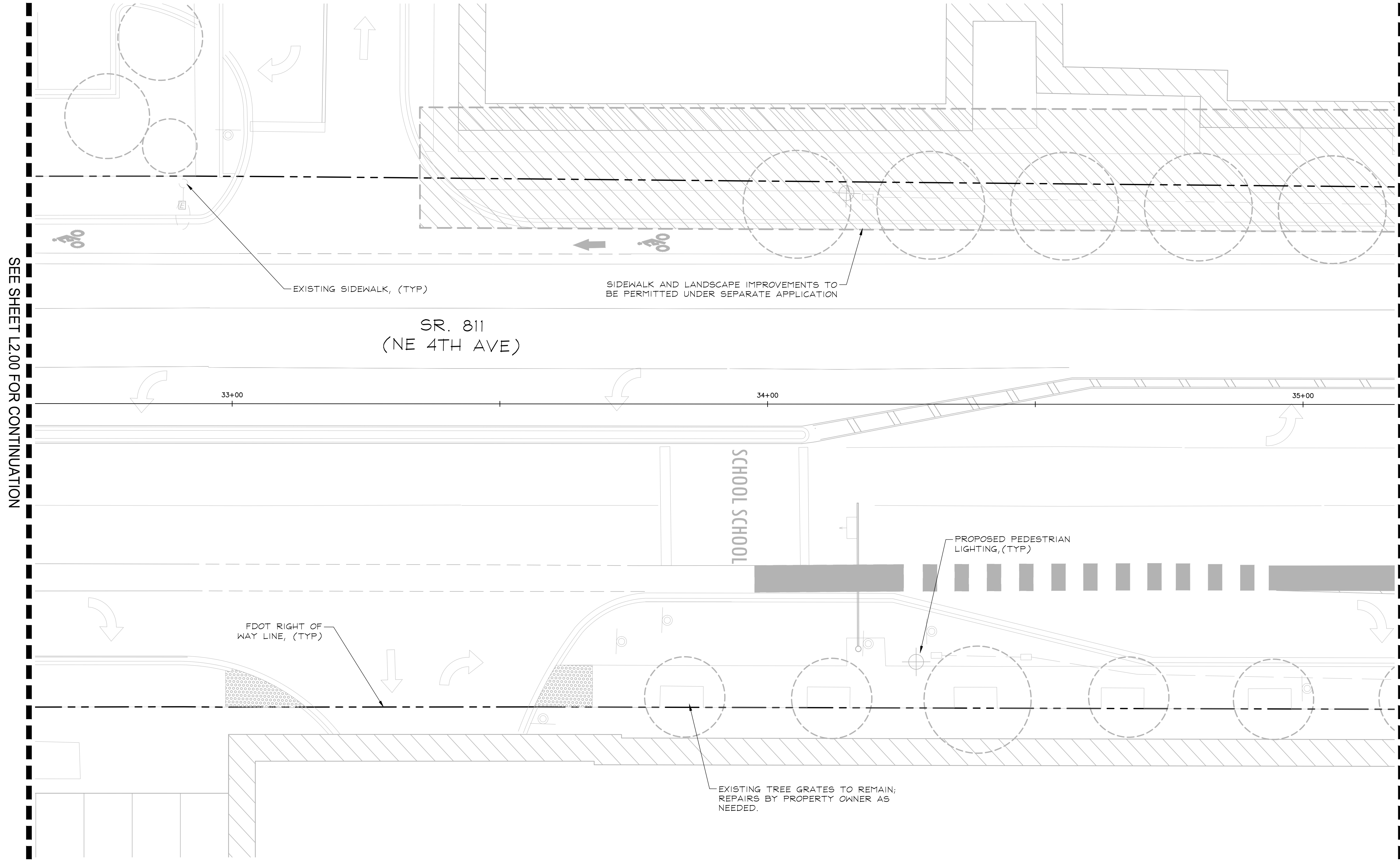
CITY OF FORT LAUDERDALE
 TRANSPORTATION & MOBILITY

 290 NE 3RD AVE., FORT LAUDERDALE, FL 33301

REVISIONS		NO.	DATE	BY	CHK'D	DESCRIPTION

PROJECT # 12557
 NE 4TH AVENUE STREETSCAPE PROJECT
 E SUNRISE BLVD TO NE 13TH ST
 FORT LAUDERDALE, FL
 HARDSCAPE PLAN

SHEET NO.
L2.00

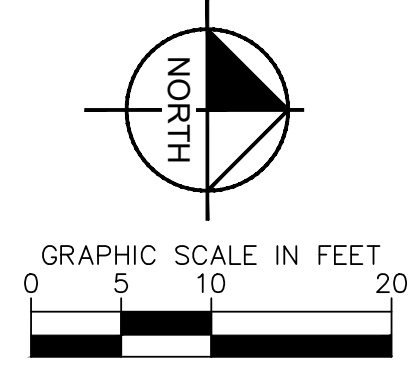
Plotted By: Hargrett, Tom Sheet Set: NE 4th Avenue Layout: L2.01 HARDSCAPE PLAN June 29, 2022 09:10:44am K:\WPB_LURG\043184061 - NE 4th AVE FTL\CAD\PlanSheets\L2.00 HARDSCAPE PLAN.dwg



SEE SHEET L2.00 FOR CONTINUATION

SEE SHEET L2.02 FOR CONTINUATION


NO PROPOSED IMPROVEMENTS, THIS SHEET



KimleyHorn
1920 WEKIVA WAY #200
WEST PALM BEACH, FL 33411
PHONE: 561-945-0665 FAX:
561-530-2245
WWW.KIMLEY-HORN.COM
REGISTRY 096
© 2022 KIMLEY-HORN AND
ASSOCIATES, INC.

REAL:
JONATHAN D. HAIGH, PLA
STATE LICENSE NUMBER
LA #6666795
06/30/2022

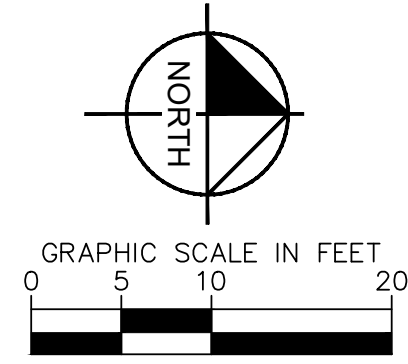
DRAWN BY: DATE: 07/01/2021
DESIGNED BY: SCALE: AS SHOWN
CHECKED BY: FIELD BOOK:

CITY OF FORT LAUDERDALE
TRANSPORTATION & MOBILITY

290 NE 3RD AVE, FORT LAUDERDALE, FL 33301

REVISIONS	
NO.	DESCRIPTION

PROJECT # 12557
NE 4TH AVENUE STREETScape PROJECT
E SUNRISE BLVD TO NE 13TH ST
FORT LAUDERDALE, FL
HARDSCAPE PLAN

SHEET NO.
L2.01



KimleyHorn
1920 WEKIVA WAY #200
WEST PALM BEACH, FL 33411
PHONE: 561-945-0665 FAX:
561-530-2245
WWW.KIMLEY-HORN.COM
REGISTRY 096
© 2023 KIMLEY-HORN AND
ASSOCIATES, INC.

REAL:
JONATHAN D. HAIGH, PLA
STATE LICENSE NUMBER
LA #6666795
06/30/2022

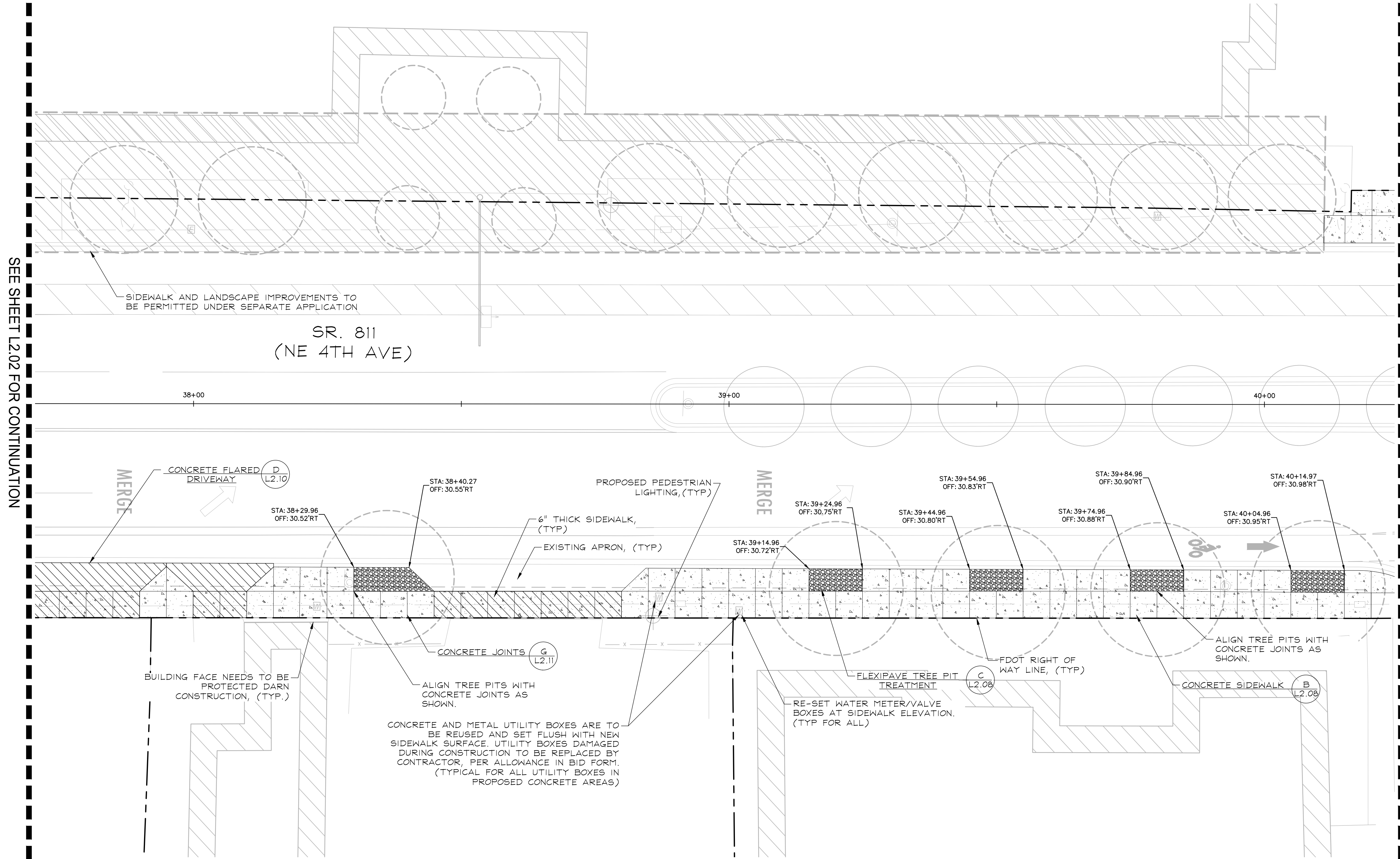
DRAWN BY: DATE: 07/01/2021
DESIGNED BY: SCALE: AS SHOWN
CHECKED BY: FIELD BOOK:

CITY OF FORT LAUDERDALE
TRANSPORTATION & MOBILITY
290 NE 3RD AVE., FORT LAUDERDALE, FL 33301

NO.	DATE	BY	CHK'D	DESCRIPTION

PROJECT # 12557
NE 4TH AVENUE STREETSCAPE PROJECT
E SUNRISE BLVD TO NE 13TH ST
FORT LAUDERDALE, FL
HARDSCAPE PLAN

SHEET NO.
L2.03



SEE SHEET L2.02 FOR CONTINUATION

SEE SHEET L2.04 FOR CONTINUATION

Plotted By: Hargrett, Tom Sheet Set: NE 4th Avenue Layout: L2.03 HARDSCAPE PLAN June 29, 2022 09:10:50am K:\WPB_LRG_04\3184061 - NE 4th Ave FTL\CAD\Plansheets\L2.00 HARDSCAPE PLAN.dwg