

SECTION NO.: 86050
FM NO.: 436219-3-72-01
COUNTY: Broward
S.R. No.: SR A1A@TERRAMAR STREET
Agreement #: 20191031-1

**FLORIDA DEPARTMENT OF TRANSPORTATION - DISTRICT FOUR
MAINTENANCE MEMORANDUM OF AGREEMENT**

This **AGREEMENT**, made and entered into this _____ day of _____, 2020, by and between the **STATE OF FLORIDA DEPARTMENT OF TRANSPORTATION**, a component agency of the State of Florida, hereinafter called the **DEPARTMENT**, and **City of Fort Lauderdale**, a municipal corporation existing under the Laws of Florida, hereinafter called the **AGENCY**.

WITNESSETH:

WHEREAS, the **DEPARTMENT** has jurisdiction over State Road A1A at Terramar Street (M.P.) 2.862; and

WHEREAS, the **DEPARTMENT** seeks to install and have maintained by the **AGENCY** certain highway improvements; and

WHEREAS, as part of the continual updating of the State of Florida Highway System, the **DEPARTMENT**, for the purpose of safety, protection of the investment and other reasons, has constructed and does maintain State Road A1A at Terramar Street (M.P.) 2.862 (within the limits of the **AGENCY**); and

WHEREAS, it is the intent of the **AGENCY** and the **DEPARTMENT** that the **AGENCY** shall maintain the powder black color coated painted mast arm assemblies (includes upright pole and arm), within the project limits under Project Number **436219-3-72-01** at the intersection of State Road A1A at Terramar Street (M.P.) 2.862; hereinafter called **IMPROVEMENTS**; and

WHEREAS, the Project involves the scope of work as described within **Exhibit A** (Project Location and Location Map) and **Exhibit B** (Signalization Plans), which will benefit the **AGENCY**; and

WHEREAS, Broward County (the maintaining signal agency), has no objection to this project as indicated in **Exhibit C** (Broward County Acknowledgement Letter); and

WHEREAS, the parties hereto mutually recognize the need for entering into an **AGREEMENT** designation and setting forth the responsibilities of each party; and

WHEREAS, the **AGENCY** by Resolution No. _____ dated _____, 20__ attached hereto and by this reference made a part hereof, desires to enter into this **AGREEMENT** and authorizes its officers to do so;

NOW THEREFORE, for and in consideration of the mutual benefits to flow each to the other, the parties covenant and agree as follows:

1. The recitals set forth above are true and correct and are deemed incorporated herein.
2. INSTALLATION OF FACILITIES

SECTION NO.: 86050
FM NO.: 436219-3-72-01
COUNTY: Broward
S.R. No.: SR A1A@TERRAMAR STREET
Agreement #: 20191031-1

The **DEPARTMENT** shall construct under Project Number **436219-3-72-01** the **IMPROVEMENTS** as detailed in **Exhibit A** and **Exhibit B**, which will benefit the **AGENCY**.

3. MAINTENANCE OF FACILITIES

A. The **AGENCY** agrees to maintain the **IMPROVEMENTS** as provided herein. Maintenance by the **AGENCY** will include repair, restoration, and general maintenance of the solar black color coated painted mast arm assemblies (includes upright pole and arm) within the project limits.

1) The **AGENCY** shall be solely responsible for the maintenance and preservation of the **IMPROVEMENTS** within the project limits. The **AGENCY** shall inspect the painted color coatings on a yearly basis. All Maintenance or restoration activities shall be performed in accordance with a Maintenance Plan, as approved by the **DEPARTMENT**, as per the requirements in **Exhibit D** (Maintenance Plan Requirements).

2) The above-named functions to be performed by the **AGENCY** may be subject to periodic inspections by the **DEPARTMENT** at the discretion of the **DEPARTMENT**. Such inspection findings will be shared with the **AGENCY** and shall be the basis of all decisions regarding, reworking or **AGREEMENT** termination. The **AGENCY** shall not change or deviate from the **AGENCY's** approved Maintenance Plan as referenced in **Exhibit D** without written approval from the **DEPARTMENT**.

3) The **AGENCY** shall be solely responsible for any damages to surrounding property, real estate, vehicles, pedestrians, attachments to the light poles, or other assets occurring as a result of maintaining the painted color coating operations and shall repair such damage to the satisfaction of the **DEPARTMENT** at no expense to the **DEPARTMENT**.

B. It is understood and agreed by the parties that upon "final acceptance" (as that term is described in the Standard Specifications for Roadway and Bridge Construction, as amended by contract documents section 5-11) by the **DEPARTMENT** of the Project and Notice thereof to the **AGENCY**, the **AGENCY** shall be responsible for maintenance of the Project in accordance with the following Federally and State accepted standards (current editions at the time of execution and all amendments thereafter) of this **AGREEMENT** and any amendments hereafter) and all costs related thereto: (a) FDOT Design Manual (FDM), (b) FDOT Plans Preparation Manual (PPM), (c) Florida Green Book, (d) Standard Specifications for Roadway and Bridge Construction, (e) FDOT Design Standards, (f) Manual on Uniform Traffic Control Devices (MUTCD) and (g) Maintenance Rating Program (MRP).

1) The **AGENCY** shall be responsible for the **IMPROVEMENTS** as referenced in **Exhibit A** immediately after final acceptance of the construction project by the **DEPARTMENT**.

SECTION NO.: 86050
FM NO.: 436219-3-72-01
COUNTY: Broward
S.R. No.: SR A1A@TERRAMAR STREET
Agreement #: 20191031-1

- C. Maintenance shall include but not be limited to graffiti removal (**Graffiti is defined as painting, writing, and stickers on any part of the mast arm assembly**), spot painting and/or repairing of any parts of the painted mast arm assembly.
- D. All **IMPROVEMENTS** shall at all times have a notification sign posted with the name and phone number of the department within the **AGENCY** responsible for maintenance of the **IMPROVEMENTS** so that members of the public may contact **AGENCY** regarding problems with the **IMPROVEMENTS**. The **AGENCY** shall promptly respond and correct all complaints regarding maintenance. The **IMPROVEMENTS** to be constructed with this project shall not contain advertising. Nor shall advertising be placed upon them by any party in the future.
- D. The above named functions to be performed by the **AGENCY** may be subject to periodic inspections by the **DEPARTMENT** at the discretion of the **DEPARTMENT**. Such inspection findings will be shared with the **AGENCY** and shall be the basis of all decisions regarding, repayment, reworking or **AGREEMENT** termination.
- E. Any work impacting traffic flow on State Road A1A at Terramar Street (M.P.) 2.862 must be coordinated with the **DEPARTMENT**. Lane closures must be submitted for approval in accordance with **DEPARTMENT** procedures and policies and will meet the goals established in the **DEPARTMENT**'s Open Roads Policy.

4. NOTICE OF MAINTENANCE DEFICIENCIES

- A. If, at any time while the terms of this **AGREEMENT** are in effect, it shall come to the attention of the **DEPARTMENT** that the **AGENCY**'s responsibility as established herein or a part thereof is not being properly accomplished pursuant to the terms of this **AGREEMENT**, the **DEPARTMENT** may issue a written notice, that a deficiency or deficiencies exist(s), by sending a certified letter to the **AGENCY**, in care of the CITY OF FORT LAUDERDALE, CITY MANAGER, to place the **AGENCY** on notice regarding its maintenance deficiencies. Thereafter, the **AGENCY** shall have a period of sixty (60) days within which to correct the cited deficiency or deficiencies. If said deficiencies are not corrected within the time period, the **DEPARTMENT** may, at its option, proceed under one or more or a combination of the following items:
 - 1) The **DEPARTMENT** may repair any item or a number of items. Corrective actions will be performed with the **DEPARTMENT** and/or its independent contractor's materials, equipment and personnel. The actual cost for such work will be charged to the **AGENCY**.
 - 2) If the **AGENCY** does not maintain the powder black color coated painted mast arm assemblies (includes upright pole and arm), the **DEPARTMENT** may remove all the solar black color coated painted mast arm assemblies (includes upright pole and arm) and repair or replace any damaged galvanizing with **DEPARTMENT** and/or its independent contractor's materials, equipment and personnel. The actual cost for such work will be charged to the **AGENCY**.
 - 3) The **DEPARTMENT** may remove or replace any item or number of items with the standard **DEPARTMENT** item. Corrective actions will be performed with the

SECTION NO.: 86050
FM NO.: 436219-3-72-01
COUNTY: Broward
S.R. No.: SR A1A@TERRAMAR STREET
Agreement #: 20191031-1

DEPARTMENT and/or its independent contractor's materials, equipment and personnel. The actual cost for such work will be charged to the **AGENCY**.

- 4) At the discretion of the **DEPARTMENT**, terminate the **AGREEMENT** in accordance with Paragraph 7 of this **AGREEMENT** and remove, by the **DEPARTMENT** or its Contractor's personnel, all of the **IMPROVEMENTS** installed under this **AGREEMENT** and charge the **AGENCY** the reasonable cost of such removal.

5. FUTURE DEPARTMENT IMPROVEMENTS

It is understood between the parties hereto that the **IMPROVEMENTS** covered by this **AGREEMENT** may be removed, relocated or adjusted at any time in the future as determined to be necessary by the **DEPARTMENT** in order that the adjacent state road be widened, altered or otherwise changed to meet with future criteria or planning of the **DEPARTMENT**.

6. FUTURE AGENCY IMPROVEMENTS

The **AGENCY** may construct additional improvements within the limits of the right of ways identified as a result of this document, subject to the following conditions:

- A. Plans for any new improvements shall be subject to approval by the **DEPARTMENT**. The **AGENCY** shall not change or deviate from said plans without written approval by the **DEPARTMENT**.
- B. The **AGENCY** shall procure a permit and/or Construction Agreement from the **DEPARTMENT**, as appropriate.
- C. All improvements shall be developed and implemented in accordance with appropriate state safety and roadway design standards.
- D. The **AGENCY** agrees to comply with the requirements of this **AGREEMENT** with regard to any additional improvements installed at no cost to the **DEPARTMENT**.

7. AGREEMENT TERMINATION

This **AGREEMENT** may be terminated under any one (1) of the following conditions:

- A. By the **DEPARTMENT**, if the **AGENCY** fails to perform its duties under this **AGREEMENT**, following ten (10) days written notice. The **AGENCY** shall reimburse the **DEPARTMENT** for any expenditures for the installation of said improvements and the cost to remove and or replace said improvement with the standard improvement or remove in its entirety.
- B. By the **DEPARTMENT**, for refusal by the **AGENCY** to allow public access to all documents, papers, letters, or other material subject to the provisions of Chapter 119, Florida Statutes, and made or received by the **AGENCY** in conjunction with this

SECTION NO.: 86050
FM NO.: 436219-3-72-01
COUNTY: Broward
S.R. No.: SR A1A@TERRAMAR STREET
Agreement #: 20191031-1

AGREEMENT.

C. By the **DEPARTMENT** with a six (6) month written notice.

8. **AGREEMENT TERM**

The term of this **AGREEMENT** commences upon execution by all parties. The term of this **AGREEMENT** shall remain in effect for as long as the **IMPROVEMENTS** shall exist.

9. **LIABILITY AND INSURANCE REQUIREMENTS**

A. With respect to any of the **AGENCY'S** agents, consultants, sub-consultants, contractors, and/or sub-contractors, such party in any contract for the **IMPROVEMENTS** shall agree to indemnify, defend, save and hold harmless the **DEPARTMENT** from all claims, demands, liabilities, and suits of any nature arising out of, because of or due to any intentional and/or negligent act or occurrence, omission or commission of such agents, consultants, sub consultants, contractors and/or subcontractors. The **AGENCY** shall provide to the **DEPARTMENT** written evidence of the foregoing upon the request of the **DEPARTMENT**. It is specifically understood and agreed that this indemnification clause does not cover or indemnify the **DEPARTMENT** for its own negligence.

B. In the event that **AGENCY** contracts with a third party to provide the services set forth herein, any contract with such third party shall include the following provisions:

1) **AGENCY'S** contractor shall at all times during the term of this **AGREEMENT** keep and maintain in full force and effect, at contractor's sole cost and expense, Comprehensive General Liability with minimum limits of \$1,000,000.00 per occurrence combined single limit for Bodily Injury Liability and Property Damage Liability and Worker's Compensation insurance with minimum limits of \$500,000.00 per Liability. Coverage must be afforded on a form no more restrictive than the latest edition of the Comprehensive General Liability and Worker's Compensation policy without restrictive endorsements, as filed by the Insurance Services Office and shall name the **DEPARTMENT** as an additional insured.

2) **AGENCY'S** contractor shall furnish **AGENCY** with Certificates of Insurance of Endorsements evidencing the insurance coverages specified herein prior to the beginning performance of work under this **AGREEMENT**.

3) Coverage is not to cease and is to remain in full force and effect (subject to cancellation notice) until all performance required of **AGENCY'S** contractor is completed. All policies must be endorsed to provide the **DEPARTMENT** with at least thirty (30) days notice of cancellation and or/or restriction. If any of the insurance coverages will expire prior to the completion of work, copies of renewal policies shall be furnished at least (30) days prior to the date of expiration.

10. **E-VERIFY REQUIREMENTS**

SECTION NO.: 86050
FM NO.: 436219-3-72-01
COUNTY: Broward
S.R. No.: SR A1A@TERRAMAR STREET
Agreement #: 20191031-1

The **AGENCY** shall:

- A. Utilize the U.S. Department of Homeland Security's E-Verify system to verify the employment eligibility of all new employees hired by the **AGENCY** for the work performed under this **AGREEMENT**; and
- B. Expressly require any contractors performing work or providing services pursuant to the state contract to likewise utilize the U.S. Department of Homeland Security's E-Verify system to verify the employment eligibility of all new employees hired by the subcontractor during the contract term.

11. ENTIRE AGREEMENT

This writing embodies the entire **AGREEMENT** and understanding between the parties hereto and there are no other Agreements and understanding, oral or written, with reference to the subject matter (painting of mast arms) hereof that are not merged herein and superseded hereby.

12. LIABILITY

The **DEPARTMENT**, during any fiscal year, shall not expend money, incur any liability, or enter into any contract which, by its terms, involves the expenditure of money in excess of the amounts budgeted as available for expenditure during such fiscal year. Any contract, verbal or written, made in violation of this subsection is null and void, and no money may be paid on such contract. The **DEPARTMENT** shall require a statement from the Comptroller of the **DEPARTMENT** that funds are available prior to entering into any such contract or other binding commitment of funds. Nothing herein contained shall prevent the making of contracts for periods exceeding one (1) year, but any contract so made shall be executory only for the value of the services to be rendered or agreed to be paid for in succeeding fiscal years; and this paragraph shall be incorporated verbatim in all contracts of the **DEPARTMENT** which are for an amount in excess of TWENTY FIVE THOUSAND DOLLARS (\$25,000.00) and which have a term for a period of more than one year.

13. DISPUTES

The **DEPARTMENT'S** District Secretary shall decide all questions, difficulties and disputes of any nature whatsoever that may arise under or by reason of this **AGREEMENT**, the prosecution or fulfillment of the service hereunder and the character, quality, amount and value thereof. Should the **AGENCY** disagree with the **DEPARTMENT'S** District Secretary's decision, the **AGENCY** may pursue any and all legal and equitable remedies available under this **AGREEMENT**.

14. ASSIGNMENT

This **AGREEMENT** may not be assigned or transferred by the **AGENCY** in whole or part

SECTION NO.: 86050
FM NO.: 436219-3-72-01
COUNTY: Broward
S.R. No.: SR A1A@TERRAMAR STREET
Agreement #: 20191031-1

without the consent of the **DEPARTMENT**.

15. LAWS GOVERNING

This **AGREEMENT** shall be governed by and construed in accordance with the laws of the State of Florida. In the event of a conflict between any portion of the contract and Florida law, the laws of Florida shall prevail. Venue with respect to judicial proceedings arising out of this **AGREEMENT** shall be in Broward County, Florida.

16. NOTICES

Any and all notices given or required under this **AGREEMENT** shall be in writing and either personally delivered with receipt acknowledgement or sent by certified mail, return receipt requested. All notices shall be sent to the following addresses.

If to the **DEPARTMENT**:

State of Florida Department of Transportation
Attention: District Maintenance Engineer
3400 West Commercial Blvd
Ft. Lauderdale, FL 33309-3421

If to the **AGENCY**:

City of Fort Lauderdale
Attention: Chris Lagerbloom, City Manager
100 N Andrews Avenue
Fort Lauderdale, Florida 33301

17. Nothing herein shall constitute a waiver of sovereign immunity by the **AGENCY**.

18. LIST OF EXHIBITS

Exhibit A: Project Location and Location Map
Exhibit B: Signalization Plans
Exhibit C: Broward County Acknowledgement Letter
Exhibit D: Maintenance Plan Requirements

SECTION NO.: 86050
FM NO.: 436219-3-72-01
COUNTY: Broward
S.R. NO.: SR A1A@TERRAMAR STREET
Agreement #: 20191031-1

IN WITNESS OF THE FOREGOING, the parties have set their hands and seals the day and year first above written.

AGENCY:

ATTEST:

CITY OF FORT LAUDERDALE

Jeffrey A. Modarelli, City Clerk

By: _____
Christopher J. Lagerbloom, ICMA-CM
City Manager

(SEAL)

_____ day of _____, 20____

Approved as to form:
Alain E. Boileau, City Attorney

By: _____
Kimberly Cunningham Mosley
Assistant City Attorney

SECTION NO.: 86050
FM NO.: 436219-3-72-01
COUNTY: Broward
S.R. No.: SR A1A@TERRAMAR STREET
Agreement #: 20191031-1

IN WITNESS OF THE FOREGOING, the parties have set their hands and seals the day and year first above written.

DEPARTMENT:

ATTEST:

STATE OF FLORIDA
DEPARTMENT OF TRANSPORTATION

Executive Secretary
(SEAL)

Sign: _____
Howard Webb, Director of Operations

Print Name: _____

Date: _____

Legal Review:

Sign: _____
Dawn Raduano, District General Counsel

Print Name: _____

Date: _____

SECTION NO.: 86050
FM NO.: 436219-3-72-01
COUNTY: Broward
S.R. No.: SR A1A@TERRAMAR STREET
Agreement #: 20191031-1

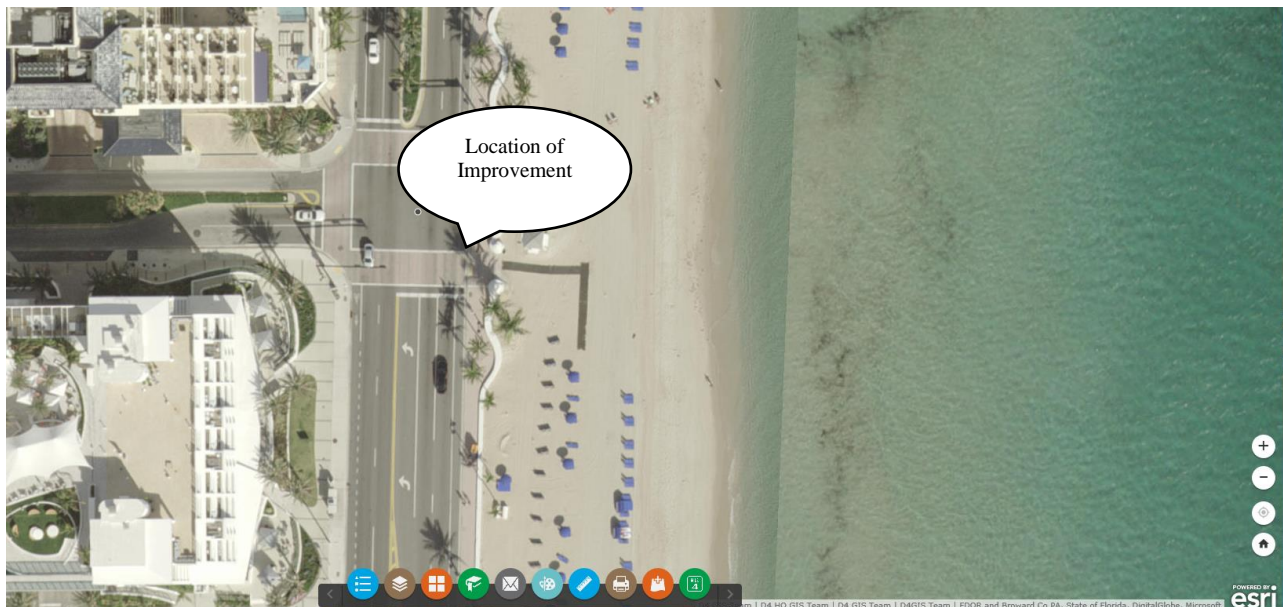
EXHIBIT A

PROJECT LOCATIONS AND LOCATION MAPS

A. PROJECT LOCATIONS

The **AGENCY** shall maintain the powder black color coated painted mast arm assemblies (includes upright pole and arm), within the project limits under Project Number 436219-3-72-01 at the intersection of State Road A1A at Terramar Street (M.P.) 2.862; and

B. LOCATION MAP



SECTION NO.: 86050
FM NO.: 436219-3-72-01
COUNTY: Broward
S.R. No.: SR A1A@TERRAMAR STREET
Agreement #: 20191031-1

EXHIBIT B

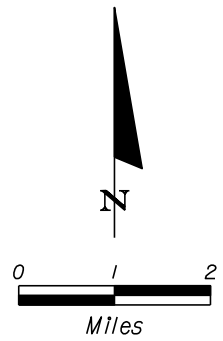
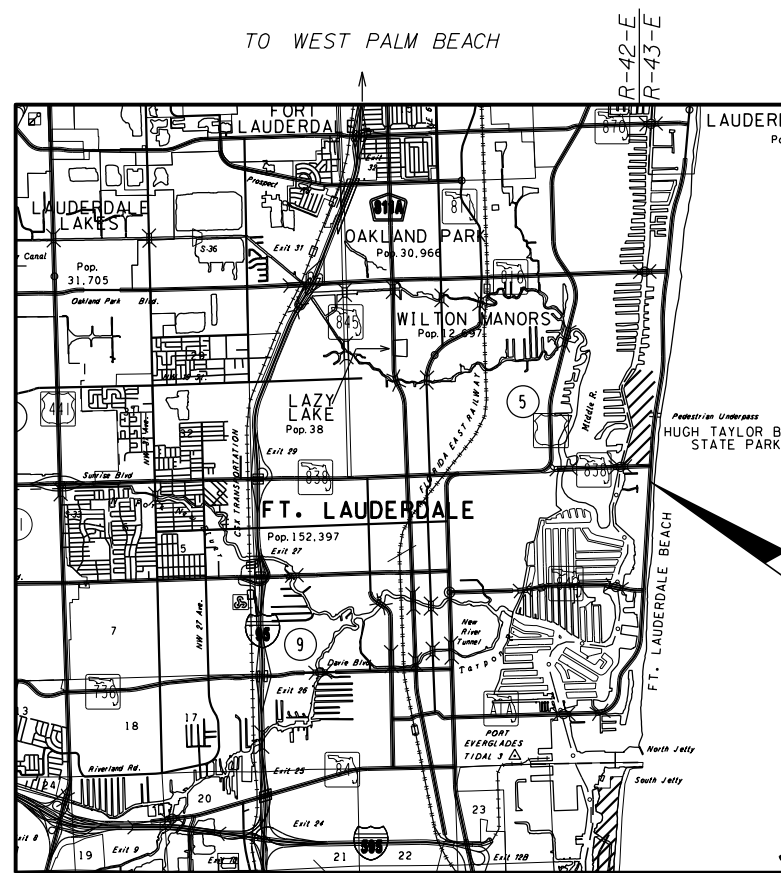
SIGNALIZATION PLANS

Signalization plans digitally signed and sealed by Christine Dalickas, P.E., DRMP, Inc. dated, October 16, 2019, as approved by the **DEPARTMENT**.

SIGNALIZATION PLANS (attached)

Sheets Included:

PDF Page Number (#)	Plan Sheet (#)	Sheet Description
12	1	KEY SHEET AND TABULATION OF QUANTITIES
13	2	SIGNATURE SHEET
15	3	GENERAL NOTES
15	4	TEMPOARY TRAFFIC CONTROL NOTES
16	5	SIGNALIZATION PLAN
17	6	MAST ARM TABULATION SHEET
18	7	ULTIMATE LOADING
19	8	GUIDE SIGN WORKSHEET
20	9	MAST ARM ELEVATION
21-22	10-11	MAST ARM DETAILS
23	12	UTILITY LOCATION PLAN
24	UTV-1	VERIFIED UTILITY LOCATE
25	CTL-1	PROJECT CONTROL
26	GT-1	REPORT OF CORE BORINGS



PROJECT LOCATION
 SR A1A (FORT LAUDERDALE
 BEACH BOULEVARD)
 AT TERRAMAR STREET
 MP 2.862

SR A1A (FORT LAUDERDALE BEACH BOULEVARD) (86050) AT TERRAMAR STREET

SIGNALIZATION PLANS

INDEX OF SHEETS

SHEET NO.	SHEET DESCRIPTION
1	KEY SHEET AND TABULATION OF QUANTITIES
2	SIGNATURE SHEET
3	GENERAL NOTES
4	TEMPORARY TRAFFIC CONTROL NOTES
5	SIGNALIZATION PLAN
6	MAST ARM TABULATION SHEET
7	ULTIMATE LOADING
8	GUIDE SIGN WORKSHEET
9	MAST ARM ELEVATION
10-11	MAST ARM DETAILS
12	UTILITY LOCATION PLAN
UTV-1	VERIFIED UTILITY LOCATE
CTL-1	PROJECT CONTROL
GT-1	REPORT OF CORE BORINGS

PLANS PREPARED BY:

DRMP, INC.
 6853 SW 18TH STREET, SUITE 310
 BOCA RATON, FL, 33433
 PHONE: (561) 451-8124 FAX: (561) 451-8142
 CERTIFICATE OF AUTHORIZATION NO. 2648
 CONTRACT NO. C-9W15
 VENDOR NO. 59179174001

SIGNALIZATION PLANS
 ENGINEER OF RECORD: CHRISTINE DALICKAS, P.E. LICENSE NO. 62423
 FDOT PROJECT MANAGER: KIM GUTIERREZ, P.E.

NOTE: THE SCALE OF THESE PLANS MAY
 HAVE CHANGED DUE TO REPRODUCTION.

GOVERNING STANDARDS AND SPECIFICATIONS:
 FLORIDA DEPARTMENT OF TRANSPORTATION, 2019-20 STANDARD PLANS
 AND REVISED INDEX DRAWINGS AS APPENDED HEREIN, AND 2020
 STANDARD SPECIFICATIONS FOR ROAD AND BRIDGE CONSTRUCTION, AS
 AMENDED BY CONTRACT DOCUMENTS.

TABULATION OF QUANTITIES

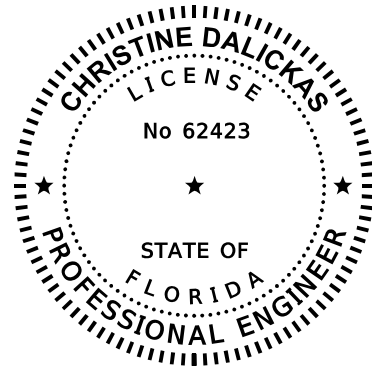
PAY ITEM NO.	DESCRIPTION	UNIT	GRAND TOTAL			
			436219-3-72-01		436219-3-72-02	
			PLAN	FINAL	PLAN	FINAL
102-14	TRAFFIC CONTROL OFFICER	HR	16			
102-60	WORK ZONE SIGN	ED	530			
102-74-1	CHANNELIZING DEVICE- TYPES I, II, DI, VP, DRUM AND LCD	ED	945			
102-76	ARROW BOARD/ADVANCE WARNING ARROW PANEL	ED	45			
102-99	PORTABLE CHANGEABLE MESSAGE SIGN, TEMPORARY	ED	177			
110-4-10	REMOVAL OF EXISTING CONCRETE SIDEWALK	SF	44			
522-1	CONCRETE SIDEWALK AND DRIVEWAYS, 4" THICK	SY	38			
522-2	CONCRETE SIDEWALK AND DRIVEWAYS, 6" THICK	SY	12			
526-1-2	PAVERS, ARCHITECTURAL, SIDEWALK	SY	38			
630-2-11	CONDUIT, FURNISH & INSTALL, OPEN TRENCH	LF	89			
630-2-12	CONDUIT, FURNISH & INSTALL, DIRECTIONAL BORE	LF	940			
632-7-1	SIGNAL CABLE - NEW OR RECONSTRUCTED FURNISH & INSTALL	PI	1			
632-7-6	SIGNAL CABLE - REMOVE- INTERSECTION	PI	1			
635-2-11	PULL & SPLICE BOX, F&I, 13" X 24" COVER SIZE	EA	7			
639-2-1	ELECTRIC SERVICE WIRE, FURNISH & INSTALL	LF	793			
639-2-6	ELECTRIC SERVICE WIRE, REMOVE	LF	793			
641-2-70	PRESTRESSED CONCRETE POLE, SHALLOW POLE REMOVAL-POLE 30' AND GREATER	EA	2			
646-1-11	ALUMINUM SIGNAL POLE, FURNISH & INSTALL PEDESTAL	EA	1			
649-21-3	STEEL MAST ARM ASSEMBLY, FURNISH AND INSTALL, SINGLE ARM 40', TROMBONE	EA	1			
649-21-6	STEEL MAST ARM ASSEMBLY, FURNISH AND INSTALL, SINGLE ARM 50', TROMBONE	EA	1			
* 649-21-999A	PAINTING MAST ARM ASSEMBLY	LS			2	
650-1-14	VEHICLE TRAFFIC SIGNAL, FURNISH & INSTALL, ALUMINUM 3 SECTION, 1WAY	AS	3			
650-1-18	VEHICLE TRAFFIC SIGNAL, FURNISH & INSTALL, ALUMINUM 5 SECTION, STRAIGHT, 1WAY	AS	1			
653-1-40	PEDESTRIAN SIGNAL, RELOCATE	AS	1			
660-4-42	VIDEO DETECTION SYSTEM-VIDEO, RELOCATE ABOVE GROUND EQUIPMENT	EA	2			
663-1-400	SIGNAL PRIORITY & PREEMPTION SYSTEM, RELOCATE	EA	1			
665-1-11	PEDESTRIAN DETECTOR, FURNISH & INSTALL, STANDARD	EA	1			
670-5-400	TRAFFIC CONTROLLER ASSEMBLY, MODIFY	AS	1			
700-5-22	INTERNALLY ILLUMINATED SIGN, FURNISH & INSTALL, OVERHEAD MOUNT, 12-18 SF	EA	2			

* PAY ITEM NOT IN CONTRACT. PAY ITEMS TO BE CONSTRUCTED BY 2019-20 STANDARD PLANS

FINAL PLANS
 12-2-19

REVISIONS		DRMP, INC. 6853 SW 18TH STREET, STE. 310, BOCA RATON, FL 33433 PHONE: (561) 451-8124 FAX: (561) 451-8142 CERTIFICATE OF AUTHORIZATION NO. 2648 CHRISTINE DALICKAS, P.E. LICENSE NUMBER 62423	STATE OF FLORIDA DEPARTMENT OF TRANSPORTATION		KEY SHEET AND TABULATION OF QUANTITIES	SHEET NO. 1
DATE	DESCRIPTION		ROAD NO.	COUNTY		
			A1A	BROWARD	436219-3-72-01 436219-3-72-02	

THE OFFICIAL RECORD OF THIS SHEET IS THE ELECTRONIC FILE DIGITALLY SIGNED AND SEALED UNDER RULE 61G15-23.004, F.A.C.



THIS ITEM HAS BEEN DIGITALLY
SIGNED AND SEALED BY

ON THE DATE ADJACENT TO THE SEAL

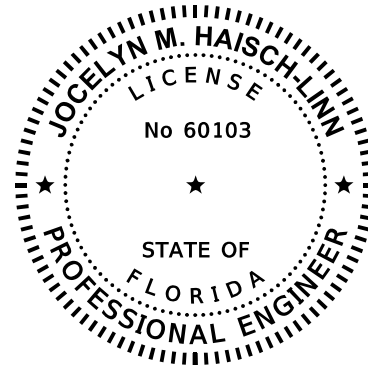
PRINTED COPIES OF THIS DOCUMENT ARE
NOT CONSIDERED SIGNED AND SEALED
AND THE SIGNATURE MUST BE VERIFIED
ON ANY ELECTRONIC COPIES.

DRMP, INC.
6853 SW 18TH STREET, SUITE 310
BOCA RATON, FL 33433
CERTIFICATION OF AUTHORIZATION
CHRISTINE DALICKAS, P.E. NO 62423

THE ABOVE NAMED PROFESSIONAL ENGINEER SHALL BE RESPONSIBLE FOR THE
FOLLOWING SHEETS IN ACCORDANCE WITH RULE 61G15-23.004, F.A.C.

SIGNALIZATION PLANS

SHEET NO.	SHEET DESCRIPTION
1	KEY SHEET AND TABULATION OF QUANTITIES
2	SIGNATURE SHEET
3	GENERAL NOTES
4	TEMPORARY TRAFFIC CONTROL NOTES
5	SIGNALIZATION PLAN
6	MAST ARM TABULATION SHEET
7	ULTIMATE LOADING
8	GUIDE SIGN WORKSHEET
12	UTILITY LOCATION PLAN



THIS ITEM HAS BEEN DIGITALLY
SIGNED AND SEALED BY

ON THE DATE ADJACENT TO THE SEAL

PRINTED COPIES OF THIS DOCUMENT ARE
NOT CONSIDERED SIGNED AND SEALED
AND THE SIGNATURE MUST BE VERIFIED
ON ANY ELECTRONIC COPIES.

DRMP, INC.
941 LAKE BALDWIN LANE
ORLANDO, FL 32814
CERTIFICATION OF AUTHORIZATION
JOCELYN M. HAISCH-LINN, P.E. NO 60103

THE ABOVE NAMED PROFESSIONAL ENGINEER SHALL BE RESPONSIBLE FOR THE
FOLLOWING SHEETS IN ACCORDANCE WITH RULE 61G15-23.004, F.A.C.

SIGNALIZATION PLANS

SHEET NO.	SHEET DESCRIPTION
2	SIGNATURE SHEET
9	MAST ARM ELEVATION
10-11	MAST ARM DETAILS

REVISIONS				DRMP, INC. 6853 SW 18TH STREET, STE. 310, BOCA RATON, FL 33455 PHONE: (561) 451-8124 FAX: (561) 451-8142 CERTIFICATE OF AUTHORIZATION No. 2648	STATE OF FLORIDA DEPARTMENT OF TRANSPORTATION			SHEET NO. 2
DATE	DESCRIPTION	DATE	DESCRIPTION		ROAD NO.	COUNTY	FINANCIAL PROJECT ID	
					A1A	BROWARD	436219-3-72-01 436219-3-72-02	

SIGNATURE SHEET

GENERAL NOTES:

- UTILITY OWNERS:

<u>COMPANY</u>	<u>CONTACT</u>	<u>TELEPHONE NUMBERS</u>
AT&T DISTRIBUTION	OTIS KEEVE	954-309-0753
BCTED-COPPER INTERCONNECT CABLE AND FIBER OPTIC CABLE	ROBERT BLOUNT	954-847-2745
CITY OF FORT LAUDERDALE	KEITH HUTCHISON	954-828-7682
COMCAST CABLE	LEONARD MAXWELL-NEUBOLD	754-221-1254
CROWN CASTLE FIBER	DANNY HASKETT	786-610-7073
FPL DISTRIBUTION	BYRON SAMPLE	954-321-2056
MCI	DEAN BOYERS	469-886-4238
TECO PEOPLES GAS	DAVID RIVERA	954-453-0794
- THE CONTRACTOR SHALL CONTACT THE CITY OF FORT LAUDERDALE AND CITY OF FORT LAUDERDALE POLICE DEPARTMENT FOURTEEN (14) DAYS IN ADVANCE OF BEGINNING CONSTRUCTION. CONTACT THE CITY OF FORT LAUDERDALE AT 954-828-5000, CITY OF FORT LAUDERDALE POLICE DEPARTMENT AT 954-828-5700.
- THE AGENCY RESPONSIBLE FOR MAINTENANCE OF THE TRAFFIC SIGNALS AND RELATED ITS COMMUNICATIONS EQUIPMENT IS BROWARD COUNTY TRAFFIC ENGINEERING DIVISION (BCTED). ALL TRAFFIC SIGNAL AND RELATED ITS COMMUNICATION EQUIPMENT WHEN USING PAY ITEM SERIES: 632, 650, 653, AND 670 FOR THIS CONTRACT SHALL BE COMPATIBLE WITH BCTED'S CENTRAL COMPUTER NETWORK SYSTEM. PRIOR TO ANY PURCHASING OF THE ABOVE PRODUCTS, ENSURE THEY HAVE BEEN APPROVED FOR SYSTEM COMPATIBILITY BY THE MAINTAINING AGENCY.
- ALL STANDARD SIGNAL PULL BOXES SHALL BE STAMPED "TRAFFIC SIGNAL" ON THE COVER.
- PROJECT ADMINISTRATOR TO CONTACT THE DISTRICT FOUR STRUCTURES MAINTENANCE OFFICE FOR A STRUCTURAL INSPECTION BEFORE FINAL ACCEPTANCE. THE CONTRACTOR SHALL PROVIDE A 30 DAY ADVANCE NOTICE TO DISTRICT 4 STRUCTURES MAINTENANCE OFFICE FOR PRE-CONSTRUCTION MEETING, PRE-ACTIVITY MEETING AND FINAL INSPECTIONS.
- THE CONTRACTOR SHALL CONTACT THE FDOT PROJECT ADMINISTRATOR FOR ALL SIGNALIZATION INSPECTIONS FROM BROWARD OPERATIONS AT 954-776-4300.
- PRIOR TO BEGINNING CONSTRUCTION, CONTRACTOR SHALL PROVIDE WRITTEN NOTICE OF COMMENCEMENT, VIA E-MAIL, TO TEINSPECTION@BROWARD.ORG. NOTICE SHALL INCLUDE THE DATE OF COMMENCEMENT, LOCATION AND TYPE OF WORK, AND INFORMATION REGARDING ANY MALFUNCTIONING EQUIPMENT.
- CONTRACTOR SHALL NOT STOCKPILE MATERIAL EAST OF SR AIA.
- NO NIGHT TIME LIGHTING CAN BE USED DURING TURTLE NESTING SEASON (MARCH TO OCTOBER) UNLESS SUBMITTED AND APPROVED BY THE ENGINEER AND PERMITTING AGENCY.
- PROJECT ADMINISTRATOR TO CONTACT THE CITY OF FT. LAUDERDALE POLICE DEPARTMENT PRIOR TO FINALIZATION TO REVIEW FOR ANY SPECIAL EVENTS THAT MAY BE SCHEDULED.
- DUE TO THE PROJECT'S LOCATION WITHIN THE CITY'S ARCHAEOLOGICAL ZONE, SHPO REQUIRES MONITORING BY A QUALIFIED ARCHAEOLOGIST DURING ANY GROUND DISTURBING ACTIVITIES. THE CONTRACTOR IS REQUIRED TO CONTACT THE DISTRICT'S CULTURAL RESOURCES CONTRACT MANAGER AT 954-777-4334 AT LEAST 30 DAYS PRIOR TO GROUND DISTURBING ACTIVITIES. THE DISTRICT WILL PROVIDE THE MONITOR THROUGH THE DISTRICTWIDE CONTRACT. THE CONTRACTOR IS REQUIRED TO INVITE THE DISTRICT'S CULTURAL RESOURCES CONTRACT MANAGER TO THE PRE-CONSTRUCTION MEETING.

PAY ITEM NOTES:

- 102-60, 102-74-1, 102-76 - TCP ITEMS BASED ON ESTIMATED 45 DAYS TO COMPLETE. TIME DOES NOT INCLUDE INSPECTION AND ACCEPTANCE.
- 102-99 - TCP ITEMS BASED ON ESTIMATED 59 DAYS TO COMPLETE. TIME DOES NOT INCLUDE INSPECTION AND ACCEPTANCE.
- 110-4-10 - INCLUDED IN THIS PAY ITEM IS THE SIDEWALK REMOVAL UNDERNEATH THE BRICK PAVERS AND ANY DAMAGED BRICK PAVERS.
- 522-1 - FOR THE SIDEWALK UNDERNEATH THE BRICK PAVER INSTALLATION.
- 641-2-70 - THE CONTRACTOR SHALL DELIVER ALL REMOVED TRAFFIC SIGNAL EQUIPMENT TO THE BROWARD COUNTY TRAFFIC ENGINEERING DIVISION LOCATED AT: 2300 W COMMERCIAL BLVD, FT. LAUDERDALE, FL 33309. (954) 847-2626. THE CONTRACTOR SHALL CONTACT BCTED SEVEN (7) FULL WORKING DAYS PRIOR TO DELIVERY.
- 649-21-3, 649-21-6 - A GIVEN MAST ARM/POLE ASSEMBLY LOCATION SHALL BE FIELD VERIFIED AND IDENTIFIED AS FREE OF CONFLICTS AND/OR OBJECTS BY THE CONTRACTOR PRIOR TO PROCUREMENT OF THE ASSOCIATED TROMBONE MAST ARM/POLE ASSEMBLY. MAST ARMS SHALL BE INSTALLED PERPENDICULAR TO APPROACH.
- 650-1-14, 650-1-18 - A REFLECTIVE BORDER SHALL BE INCLUDED IN ALL BACKPLATES FOR THE PROPOSED SIGNALS.
- ALL CONTRACT PAY ITEMS ARE ESTIMATED QUANTITIES. COMPENSATION WILL ONLY BE FOR TASKS, FIELD MEASURED PAY ITEMS, IN PLACE ANDS ACCEPTED.

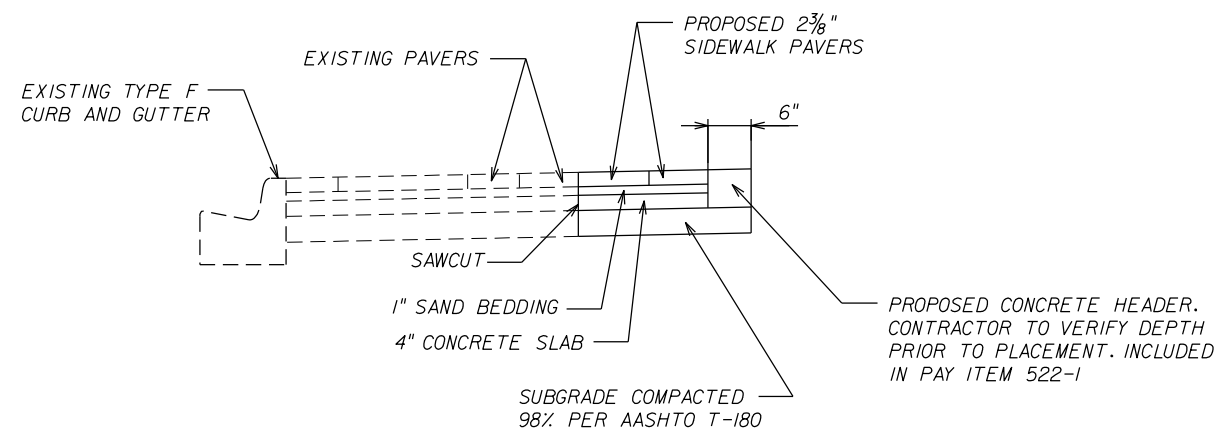
COMMUNICATIONS NOTES:

- THE AGENCY RESPONSIBLE FOR MAINTENANCE OF THE TRAFFIC SIGNALS AND RELATED EQUIPMENT IS BROWARD COUNTY TRAFFIC ENGINEERING DIVISION (BCTED). IF FIBER OPTIC PULL BOXES ALREADY EXIST AT AN INTERSECTION, NO ADDITIONAL FIBER OPTIC PULL BOXES WILL NEED TO BE INSTALLED.
- IF THERE ARE FIBER OPTIC CABLE/S WITHIN YOUR PROJECT LIMITS OR WITHIN 1500 FEET OF YOUR PROJECT LIMITS CONTACT THE COMMUNICATIONS MANAGER AT TECOMMUNICATIONS@BROWARD.ORG OR 954-847-2745.
- IF THERE ARE CELLULAR COMMUNICATIONS WITHIN YOUR PROJECT LIMITS, CONTACT THE COMMUNICATIONS MANAGER AT TECOMMUNICATIONS@BROWARD.ORG OR 954-847-2745.
- ALL BCTED COMMUNICATIONS CABLES/CONDUIT SHALL BE LOCATED A MINIMUM OF 48 HOURS IN ADVANCE.

BROWARD COUNTY TRAFFIC ENGINEERING DIVISION
PROCEDURE FOR NOTIFICATION OF COMMUNICATION DISRUPTION

5. FIBER OPTIC CABLE NOTIFICATION CONTACT PERSON

WHEN COMMUNICATIONS TO AN INTERSECTION MUST BE DISRUPTED BY A CONTRACTOR TO PERFORM WORK, THE CONTRACTOR SHALL PROVIDE TWO DAY ADVANCE NOTICE IN WRITING TO THE BROWARD COUNTY TRAFFIC ENGINEERING DIVISION. THIS NOTIFICATION SHALL BE CONVEYED VIA ELECTRONIC MAIL (EMAIL) TO THE COMMUNICATIONS MANAGER AT TECOMMUNICATIONS@BROWARD.ORG. NOTIFICATION SHALL INCLUDE CONTACT PERSON, TELEPHONE NUMBER, PURPOSE, LOCATION AND DURATION. THE DISRUPTION SHALL LAST FOR NO MORE THAN 3 CONSECUTIVE BUSINESS DAYS. WHERE POSSIBLE, THE DISRUPTION SHALL BE DURING OFF PEAK HOURS BEGINNING AT 9:00AM AND ENDING AT 3:00PM.



PAVER DETAIL FOR REPLACING BRICK PAVERS DAMAGED DURING INSTALLATION OR REMOVAL SIGNAL EQUIPMENT

N.T.S.

REVISIONS				DRMP, INC. 6855 SW 18TH STREET, STE. 310, BOCA RATON, FL 33455 PHONE: (561) 451-8124 FAX: (561) 451-8142 CERTIFICATE OF AUTHORIZATION No. 2648 CHRISTINE DALICKAS, P.E. LICENSE NUMBER 62423	STATE OF FLORIDA DEPARTMENT OF TRANSPORTATION			SHEET NO. 3
DATE	DESCRIPTION	DATE	DESCRIPTION		ROAD NO.	COUNTY	FINANCIAL PROJECT ID	
					A/A	BROWARD	436219-3-72-01 436219-3-72-02	

GENERAL NOTES

THE OFFICIAL RECORD OF THIS SHEET IS THE ELECTRONIC FILE DIGITALLY SIGNED AND SEALED UNDER RULE 61G15-23.004, F.A.C.

TEMPORARY TRAFFIC CONTROL PLAN:

1. THE CONTRACTOR SHALL NOT PERFORM ANY LANE CLOSURES BETWEEN THE HOURS OF 11:00 AM TO 8:30 PM DURING THE WEEK.
2. THE WORK ZONE SPEED LIMIT SHALL BE EQUAL TO THE EXISTING SPEED LIMITS (30 MPH) ALONG THE ROADWAY IN WHICH THE CONTRACTOR IS PERFORMING HIS WORK.
3. TRAFFIC CONTROL SHALL BE IN ACCORDANCE WITH FDOT STANDARD PLANS 102-600, 102-613 AND 102-660.
4. PCMS SHALL BE ADDED DURING CONSTRUCTION AND SHALL STATE THE FOLLOWING:

TWO WEEKS PRIOR TO CONSTRUCTION:

DURING CONSTRUCTION:

PCMS MESSAGE 1

ROAD
WORK

PCMS MESSAGE 2

BEGINS
ON
"DATE"

PCMS MESSAGE 1

ROAD
WORK
AHEAD

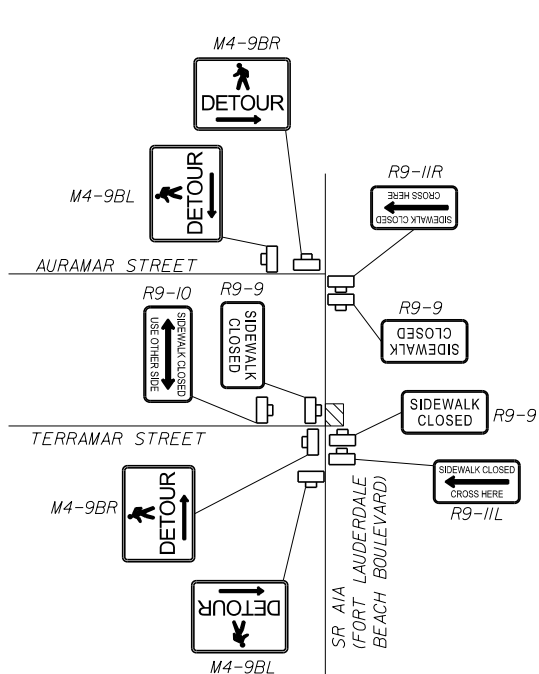
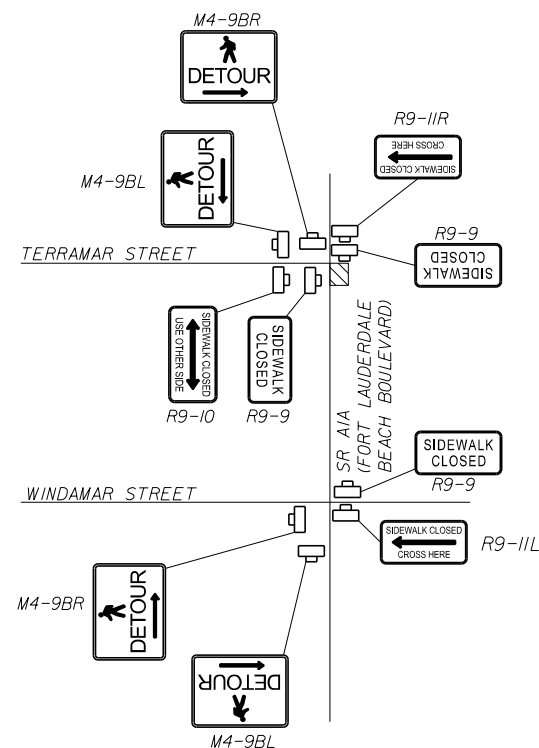
PCMS MESSAGE 2

PROCEED
WITH
CAUTION

PEDESTRIAN DETOUR ROUTE FOR WORK AT THE INTERSECTION OF SR A1A (FORT LAUDERDALE BEACH BOULEVARD) AT TERRAMAR STREET

SE QUADRANT OF INTERSECTION:

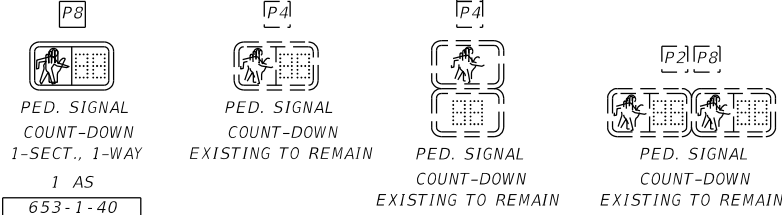
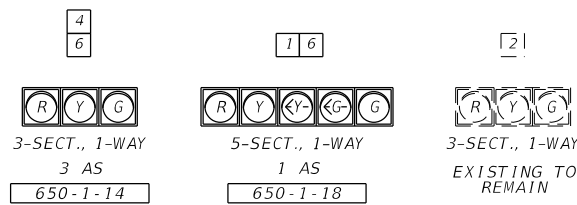
NE QUADRANT OF INTERSECTION:



REVISIONS				DRMP, INC. 6855 SW 18TH STREET, STE. 310, BOCA RATON, FL 33455 PHONE: (561) 451-8124 FAX: (561) 451-8142 CERTIFICATE OF AUTHORIZATION No. 2648 CHRISTINE DALICKAS, P.E. LICENSE NUMBER 62423	STATE OF FLORIDA DEPARTMENT OF TRANSPORTATION			TEMPORARY TRAFFIC CONTROL NOTES	SHEET NO. 4
DATE	DESCRIPTION	DATE	DESCRIPTION		ROAD NO.	COUNTY	FINANCIAL PROJECT ID		
					A1A	BROWARD	436219-3-72-01 436219-3-72-02		

SIGNAL HEAD DETAILS

PEDESTRIAN SIGNAL HEAD DETAILS

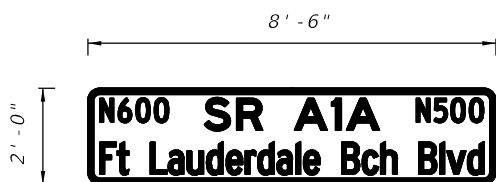


CONTROLLER TIMINGS								
TIMING FUNCTION	1	2	3	4	5	6	7	8
MOVEMENT NUMBER								
DIRECTION	NBL	SB		EB				
MINIMUM GREEN	4	10		6				
EXTENSION	8			2				
MAXIMUM GREEN 1	8	50		25				
MAXIMUM GREEN 2								
YELLOW CLEARANCE	4	4		4				
ALL RED	2	2		2				
PEDESTRIAN WALK		7		7				
PED. CLEARANCE		17		20				
RECALL		MIN						

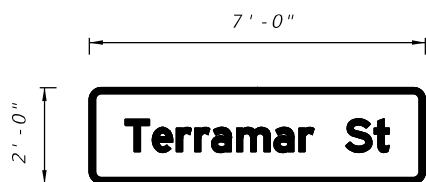
VIDEO DETECTION CHART	
VIDEO DETECTOR	MOVEMENT NUMBER
V1	1, 6
V2	4
V3	2

EXISTING TIMINGS ARE SHOWN FOR INFORMATIONAL PURPOSES ONLY. THERE ARE NO PROPOSED CHANGES TO THE TIMINGS. PREEMPTION AND S.O.P. TO REMAIN.

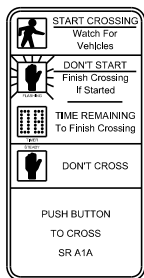
SIGN DETAILS



SIGN A
8.5' X 2'
SEE SHEET 8
FOR DETAILS
700-5-22 1 EA



SIGN B
7' X 2'
SEE SHEET 8
FOR DETAILS
700-5-22 1 EA

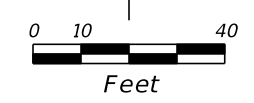
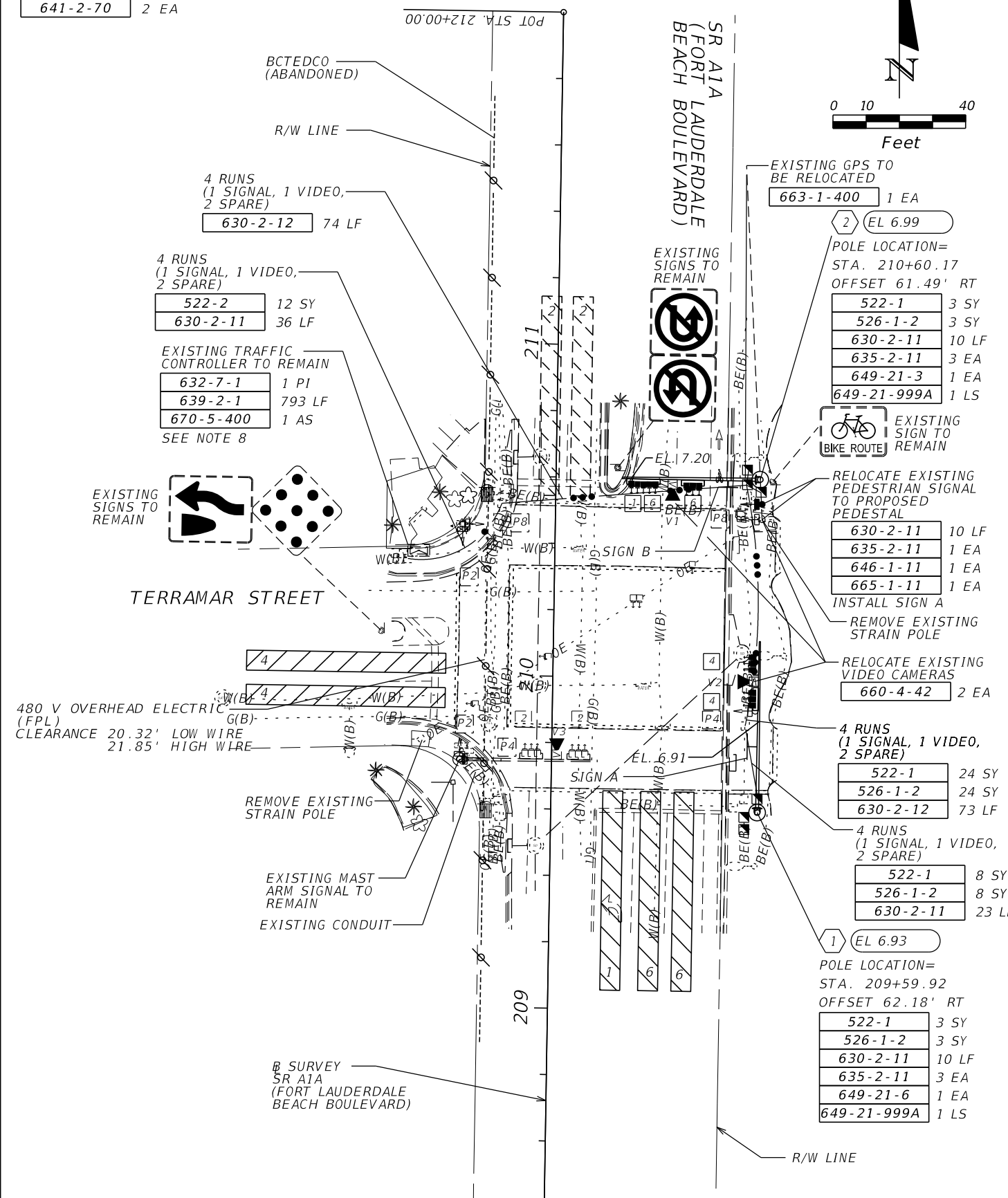


SIGN C
FTP 68B-06
9" X 18"

- NOTES:**
- CONTRACTOR SHALL ENTER CONTROLLER THROUGH EXISTING SIGNAL CONDUIT SWEEPS FROM THE EXISTING PULL BOXES.
 - PAY ITEM 670-5-400 INCLUDES THE MODIFICATION OF THE EXISTING CONTROLLER TO ACCOMMODATE PROPOSED SIGNAL HEADS.
 - CONTRACTOR SHALL RE-ESTABLISH THE VIDEO DETECTION ZONES AND PROVIDE 6' X 60' ZONE OF COVERAGE FOR VIDEO DETECTION V1 AND V2, 10' AHEAD OF STOP BAR, BACK 50'.
 - CONTRACTOR SHALL REMOVE AND RE-INSTALL ANY EXISTING SIDEWALK PAVERS FOUND ON SITE FOR THE INSTALLATION OF THE PROPOSED TROMBONE MAST ARMS AND TRAFFIC EQUIPMENT. CONTRACTOR SHALL REPLACE BRICK PAVERS DAMAGED DURING INSTALLATION OF TROMBONE MAST ARM FOUNDATIONS AND SIGNAL EQUIPMENT. INCLUDED IN PAY ITEM 526-1-2. CONTRACTOR SHALL USE DUE CARE WHEN REMOVING EXISTING SIDEWALK PAVERS TO MINIMIZE DAMAGE TO SAID SIDEWALK PAVERS. PAVERS MUST BE REPLACED TO PREVIOUS CONDITION FOLLOWING CONSTRUCTION.
 - CONTRACTOR SHALL PROTECT PAVERS WITHIN THE ROADWAY INTERSECTION FROM DAMAGE.
 - MAST ARM FOUNDATIONS ARE TO BE FLUSH WITH BRICK PAVERS.
 - ANY PULL BOXES DAMAGED DURING CONSTRUCTION MUST BE REPLACED.
 - CONTRACTOR IS TO REUSE EXISTING CONDUIT TO INSTALL THE PROPOSED SERVICE WIRE BETWEEN THE INTERSECTIONS OF TERRAMAR STREET AND VISTAMAR STREET BY PULLING THE EXISTING SERVICE WIRE. IF THE CONTRACTOR CANNOT PULL THE EXISTING SERVICE WIRE, THE CONTRACTOR IS TO DIRECTIONAL BORE BETWEEN THE SAID INTERSECTIONS TO PROVIDE CONDUIT FOR THE PROPOSED SERVICE WIRE.

REMOVAL ITEMS

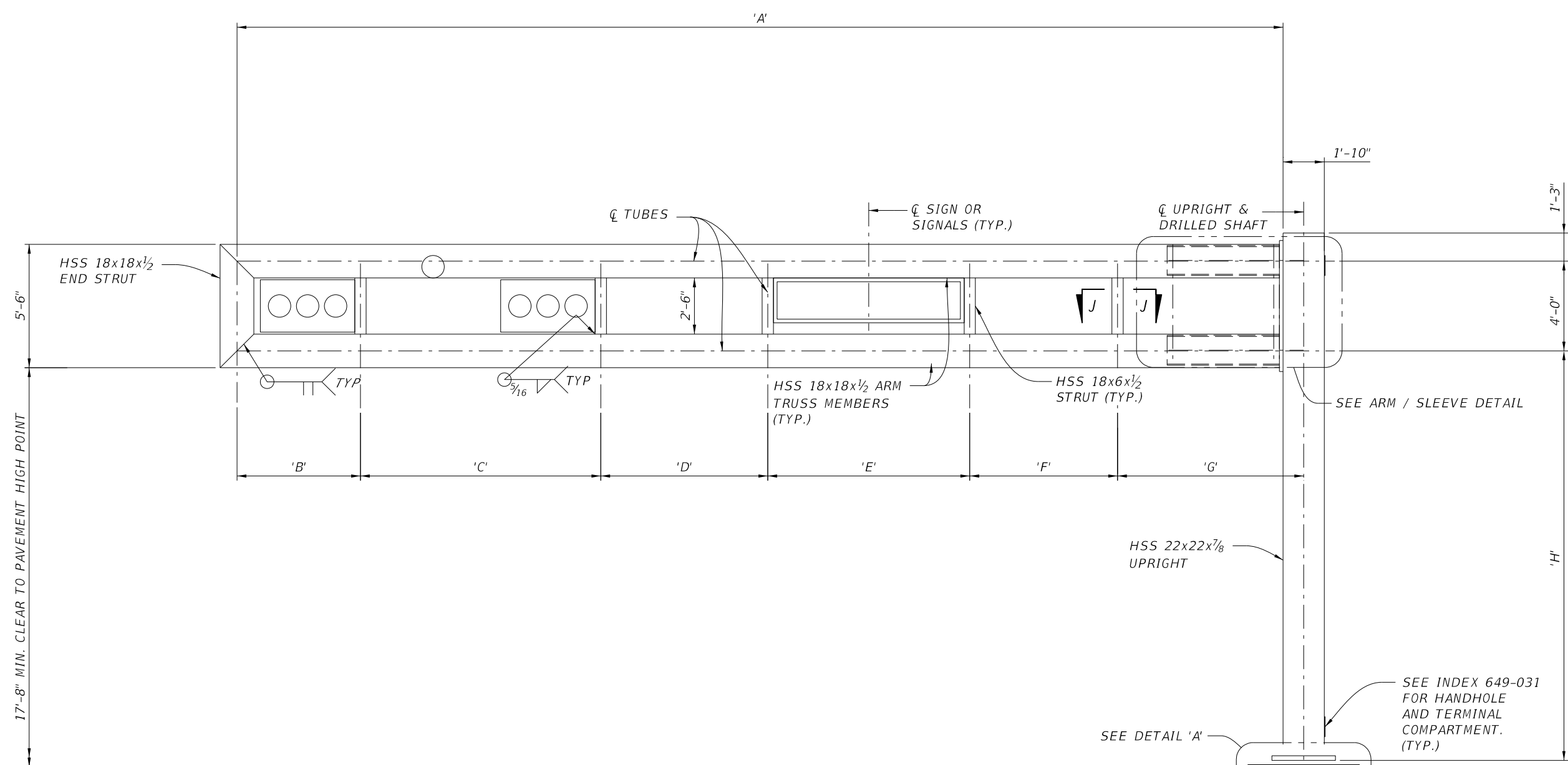
632-7-6	1 PI
639-2-6	793 LF
641-2-70	2 EA



REVISIONS				DRMP, INC. 6855 SW 18TH STREET, STE. 310, BOCA RATON, FL 33455 PHONE: (561) 451-8124 FAX: (561) 451-8142 CERTIFICATE OF AUTHORIZATION No. 2648 CHRISTINE DALICKAS, P.E. LICENSE NUMBER 62423	STATE OF FLORIDA DEPARTMENT OF TRANSPORTATION			SHEET NO. 5
DATE	DESCRIPTION	DATE	DESCRIPTION		ROAD NO.	COUNTY	FINANCIAL PROJECT ID	
					A1A	BROWARD	436219-3-72-01 436219-3-72-02	

SIGNALIZATION PLAN

THE OFFICIAL RECORD OF THIS SHEET IS THE ELECTRONIC FILE DIGITALLY SIGNED AND SEALED UNDER RULE 61G15-23.004, F.A.C.



ELEVATION VIEW

MAST ARM DATA TABLE									
MAST ARM ID NO.	STATION	DIMENSIONS							
		A	B	C	D	E	F	G	H
1	209+59.92	46'-7 ¹ / ₄ "	5'-6"	10'-8 ¹ / ₂ "	7'-5 ¹ / ₄ "	9'-0"	6'-7"	8'-3 ¹ / ₂ "	18'-3 ¹ / ₂ "
2	210+60.17	39'-11"	10'-0"	8'-8"	8'-9 ¹ / ₂ "	-	-	13'-4 ¹ / ₄ "	18'-6"

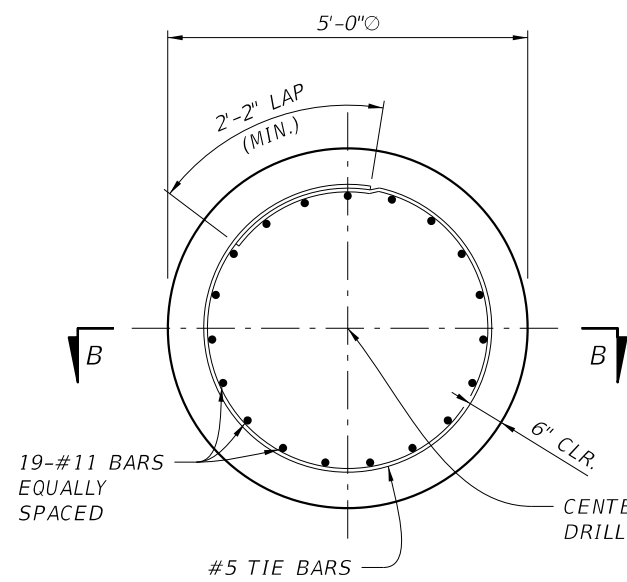
SEE NEXT SHEET FOR DRILLED SHAFT DATA.

NOTE
 ** CONTRACTOR SHALL VERIFY THIS DIMENSION PRIOR TO FABRICATION OF POLE.

REVISIONS				DRMP, INC. 941 LAKE BALDWIN LANE, ORLANDO, FL 32814 PHONE: (407) 896-0594 FAX: (407) 896-4856 CERTIFICATE OF AUTHORIZATION No. 2648 JOCELYN M. HAISCH-LINN, P.E. LICENSE No. 60103	STATE OF FLORIDA DEPARTMENT OF TRANSPORTATION			SHEET NO. 9
DATE	DESCRIPTION	DATE	DESCRIPTION		ROAD NO.	COUNTY	FINANCIAL PROJECT ID	
					A/A	BROWARD	436219-3-72-01 436219-3-72-02	

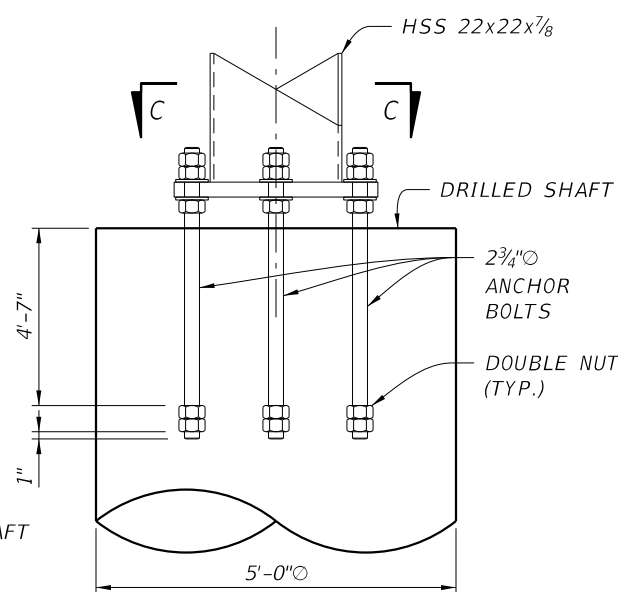
MAST ARM ELEVATION

THE OFFICIAL RECORD OF THIS SHEET IS THE ELECTRONIC FILE DIGITALLY SIGNED AND SEALED UNDER RULE 61G15-23.004, F.A.C. Drawn By : EFW 06-19 Designed By : KJW 06-19
 Checked By : JMHL 06-19 Checked By : JMHL 06-19



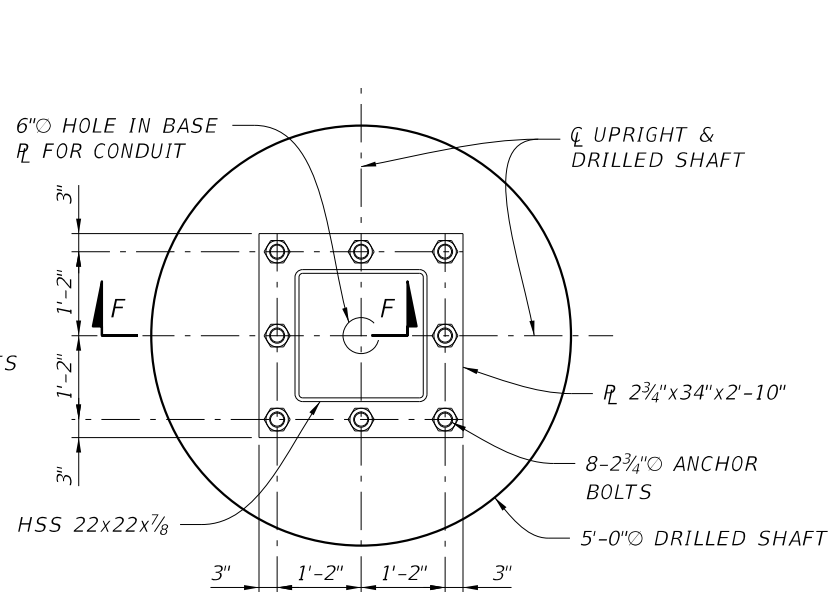
DRILLED SHAFT PLAN SECTION

NOTE: 6" MIN. COVER ON SHAFT REINFORCEMENT.
(ANCHOR BOLTS NOT SHOWN FOR CLARITY)



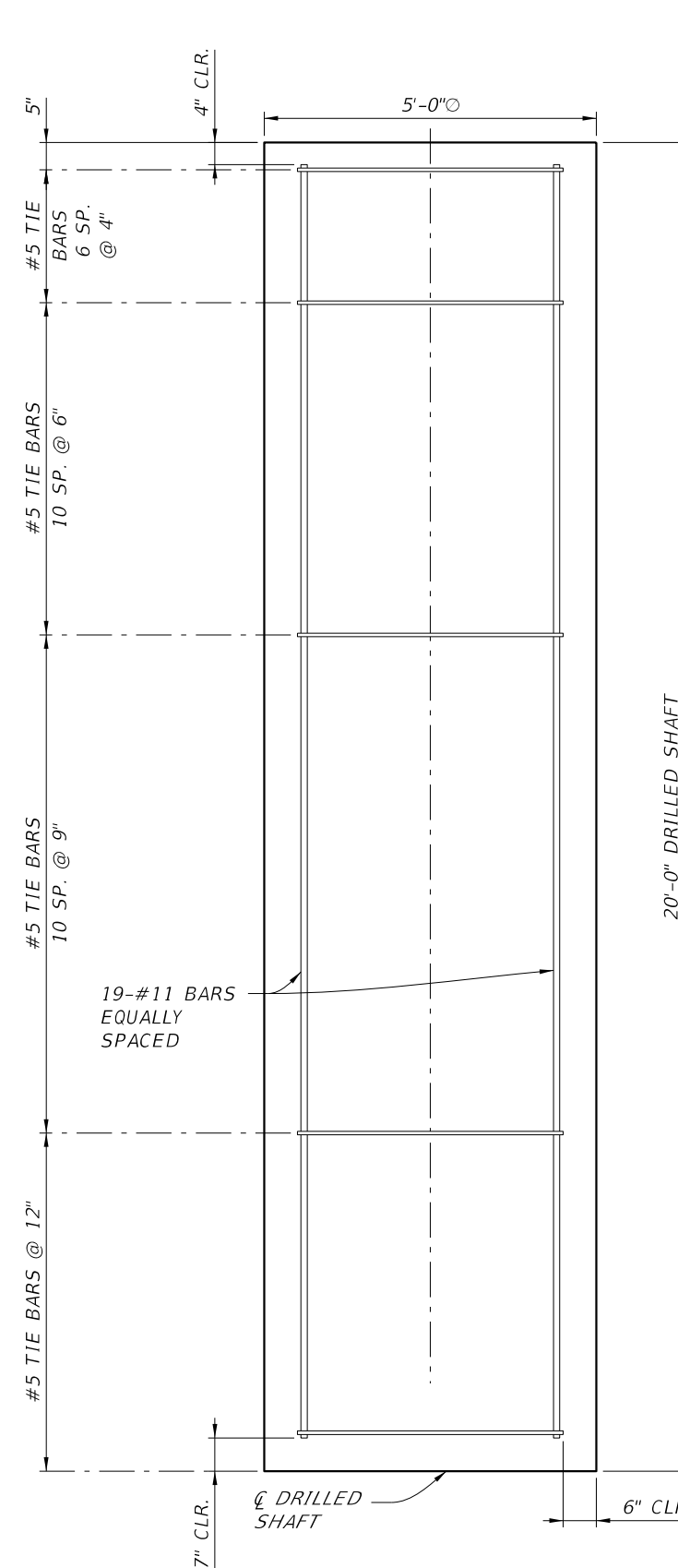
DETAIL 'A'

(REINFORCING STEEL NOT SHOWN FOR CLARITY)



SECTION C-C

(REINFORCING STEEL NOT SHOWN FOR CLARITY)



SECTION B-B

(ANCHOR BOLTS NOT SHOWN FOR CLARITY)

MAST ARM ASSEMBLIES GENERAL NOTES

1. SIGNAL STRUCTURE MATERIALS SHALL BE AS FOLLOWS:

- | | |
|-----------------------------|---|
| UPRIGHT | -> ASTM A500 GRADE 55 OR GRADE 50 WITH MILL CERTIFICATION SHOWING FY=55 ksi |
| ARM TRUSS | -> ASTM A500 GRADE 50 |
| STEEL PLATES | -> ASTM A36 |
| WELD METAL | -> E70XX |
| BOLTS (EXCEPT ANCHOR BOLTS) | -> ASTM A325 TYPE 1 |
| ANCHOR BOLTS | -> ASTM F1554 GRADE 55 ksi |
| NUTS FOR ANCHOR BOLTS | -> ASTM A563 GRADE A HEAVY HEX |
| WASHERS FOR ANCHOR BOLTS | -> ASTM F436 TYPE 1 |
| HANDHOLE FRAME | -> ASTM A709 GRADE 36 ksi OR ASTM A36 |
| HANDHOLE COVER | -> ASTM A1011 GRADE 50, 55, 60, OR 65 ksi |
| CAPS | -> ASTM A1011 GRADE 50, 55, 60, OR 65 ksi OR ASTM B209 |
| NUT COVERS | -> ASTM B26 (319-F) |
| STAINLESS STEEL SCREWS | -> AISI TYPE 316 |
| THREADED BARS / STUDS | -> ASTM A36 OR ASTM A307 |

2. REINFORCING STEEL SHALL BE ASTM A615 GRADE 60 KSI.

3. CONCRETE SHALL BE CLASS IV (DRILLED SHAFT) WITH A MINIMUM 28-DAY COMPRESSIVE STRENGTH OF 4,000 psi FOR ALL ENVIRONMENTAL CLASSIFICATIONS.

4. ALL WELDING SHALL CONFORM TO AMERICAN WELDING SOCIETY STRUCTURAL WELDING CODE (STEEL) ANSI/AWS D1.1 (CURRENT EDITION).

5. ALL NUTS, BOLTS, WASHERS, AND THREADED BARS/STUDS SHALL BE GALVANIZED IN ACCORDANCE WITH F2329. ALL OTHER STEEL ITEMS (INCLUDING POLE AND ARM) SHALL BE GALVANIZED IN ACCORDANCE WITH ASTM A123.

6. LOCATE HANDHOLE 180° FROM ARM TRUSS.

7. EXCEPT FOR ANCHOR BOLTS, ALL BOLT HOLE DIAMETERS SHALL BE EQUAL TO THE BOLT DIAMETER PLUS 1/16", HOLE DIAMETERS FOR ANCHOR BOLTS SHALL NOT EXCEED THE BOLT DIAMETER PLUS 1/2".

8. SIGNALS ATTACHED TO THE ARM TRUSS SHALL BE CENTERED IN ELEVATION ON THE ARM TRUSS. WIRE ACCESS HOLES SHALL NOT EXCEED 1 1/2" IN DIAMETER EXCEPT AS NOTED. MOUNTING HARDWARE FOR SIGNALS SHALL BE PROVIDED BY THE VENDOR.

9. THE POLE SHALL BE INSTALLED VERTICALLY. CAMBER SHALL BE ACCOUNTED FOR IN THE MAST ARM CONNECTION AS DETAILED.

10. DESIGN ACCORDING TO FDOT STRUCTURES MANUAL (2019 EDITION). ALTERNATE DESIGNS FOR SPECIAL MAST ARM ASSEMBLIES ARE NOT ALLOWED.

11. PROVIDE "J", "S", OR "C" - HOOK AT TOP OF POLE FOR SIGNAL CABLE SUPPORT.

12. ARM TRUSS CAMBER ANGLE = 1E

13. DETAILS FOR THE GROUND ROD, SIGNAL HEAD ATTACHMENT, PEDESTRIAN HEAD ATTACHMENT, AND FOUNDATION CONDUIT ARE NOT SHOWN FOR CLARITY.

14. SEE INDEX 649-031 FOR WELD INSPECTION NOTE.

15. SUBMIT SHOP DRAWINGS FOR REVIEW. INCLUDE VENDOR PROVIDED HARDWARE FOR MOUNTING TRAFFIC SIGNALS.

FOUNDATION NOTES

- DESIGN BASED ON BORINGS TAKEN ON 4/9/19 AND SEALED BY HR ENGINEERING SERVICES, INC.
- ASSUMPTIONS AND VALUES USED IN DESIGN:
 - SOIL TYPE SAND
 - SOIL LAYER THICKNESS = 20.0 ft.
 - SOIL FRICTION ANGLE = 33 deg.
 - EFFECTIVE SOIL WEIGHT = 48 pcf
 - N-BLOWCOUNT = 22
 - DESIGN WATER TABLE IS AT GROUND SURFACE

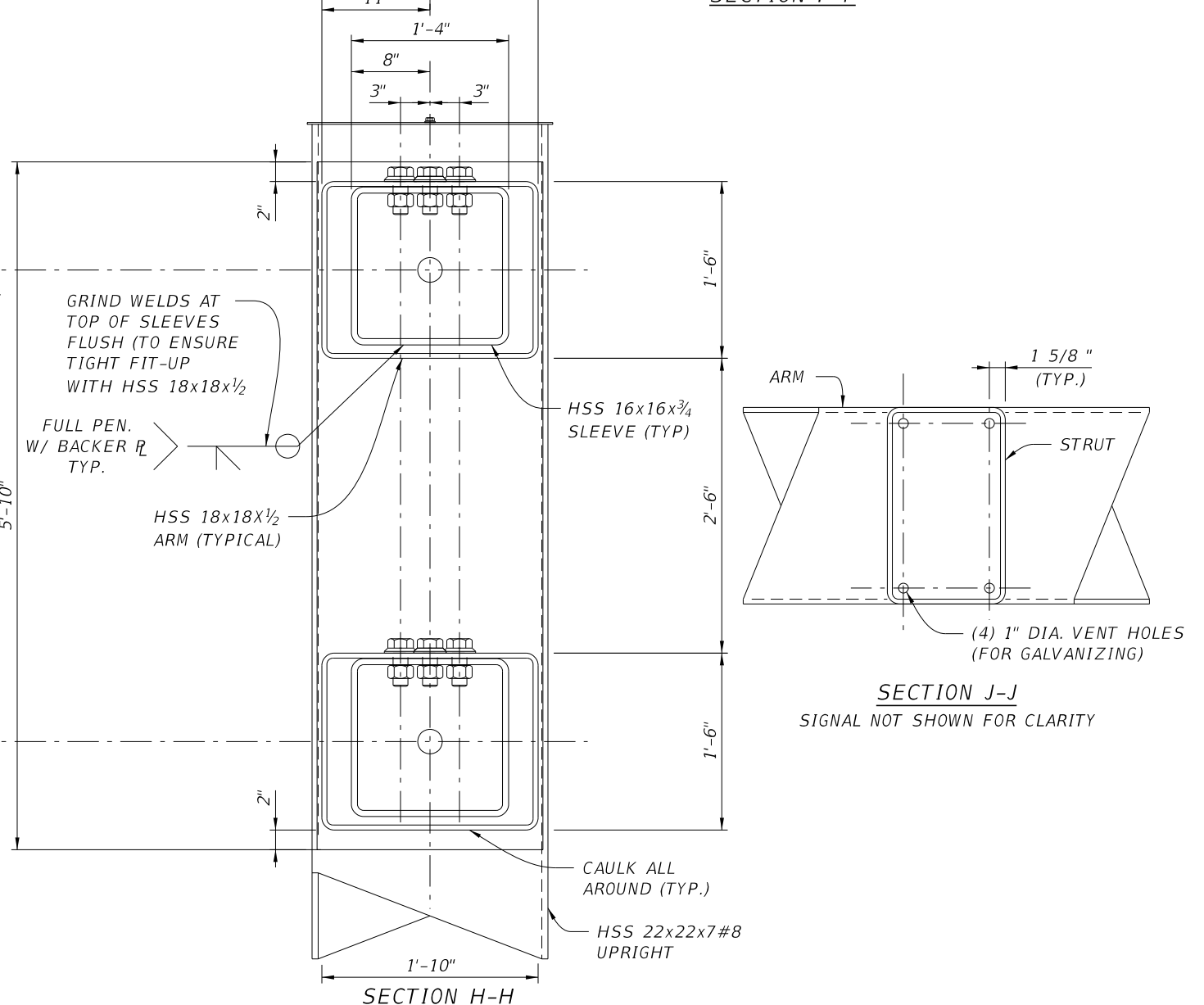
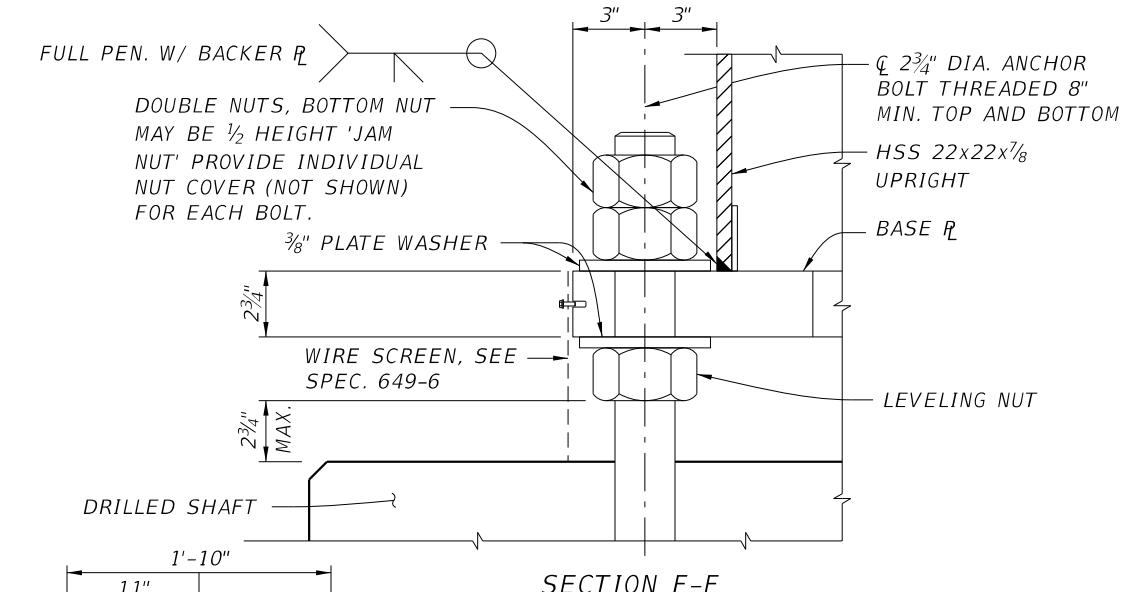
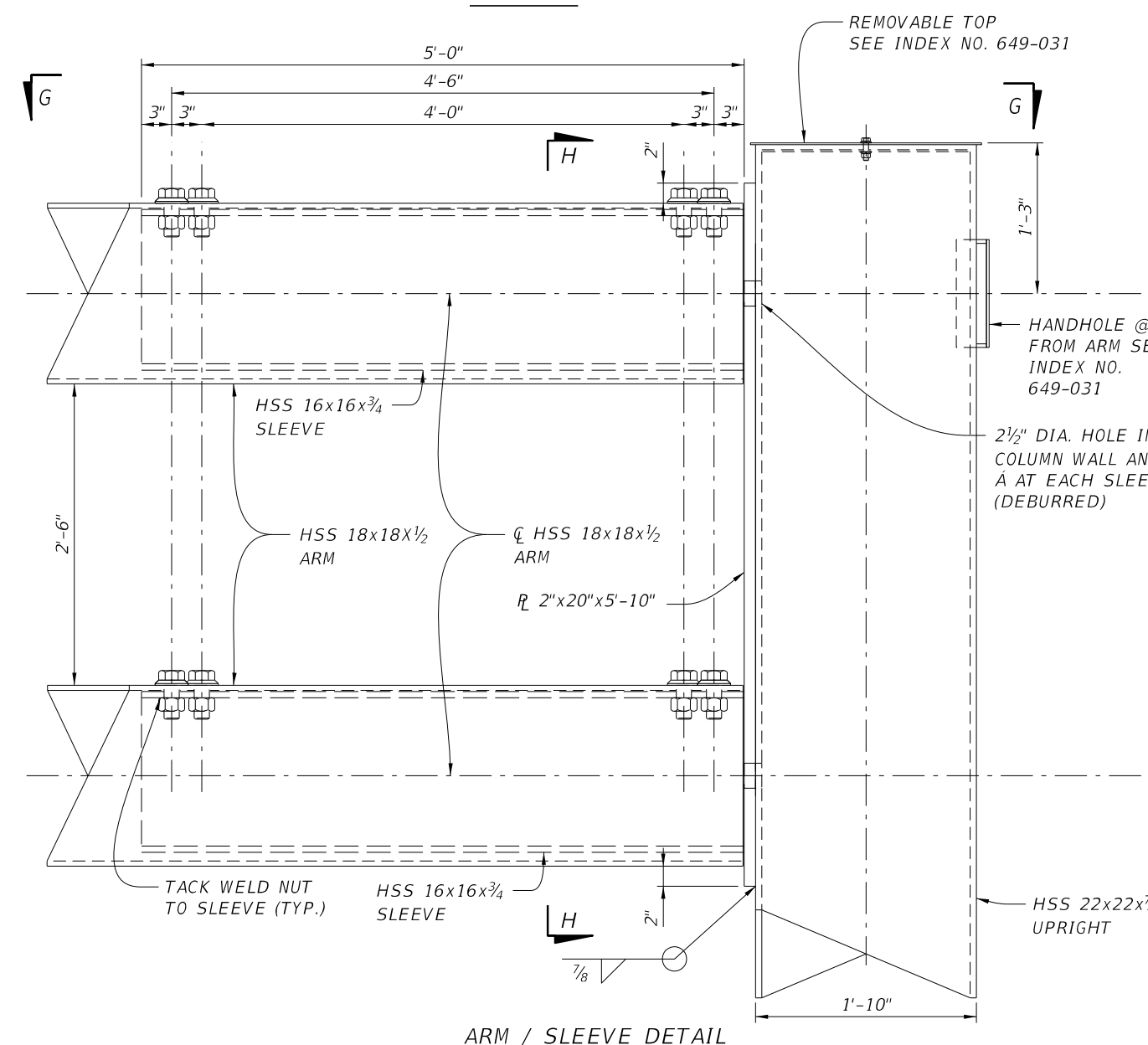
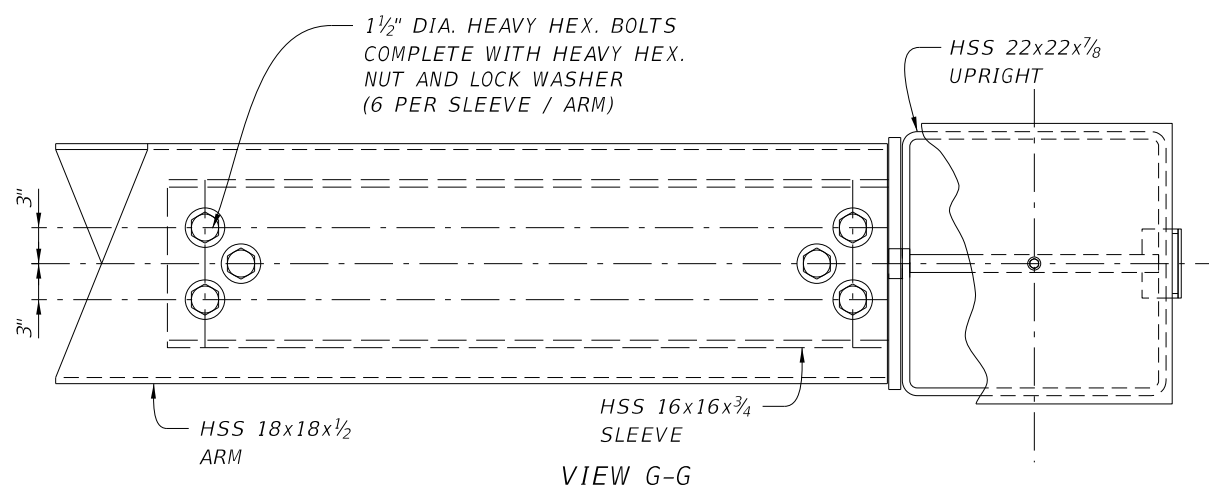
REVISIONS			
DATE	DESCRIPTION	DATE	DESCRIPTION

DRMP, INC.
941 LAKE BALDWIN LANE, ORLANDO, FL 32814
PHONE: (407) 896-0594 FAX: (407) 896-4856
CERTIFICATE OF AUTHORIZATION No. 2648
JOCELYN M. HAISCH-LINN, P.E.
LICENSE No. 60103

STATE OF FLORIDA DEPARTMENT OF TRANSPORTATION		
ROAD NO.	COUNTY	FINANCIAL PROJECT ID
A/A	BROWARD	436219-3-72-01 436219-3-72-02

MAST ARM DETAILS
(1 OF 2)

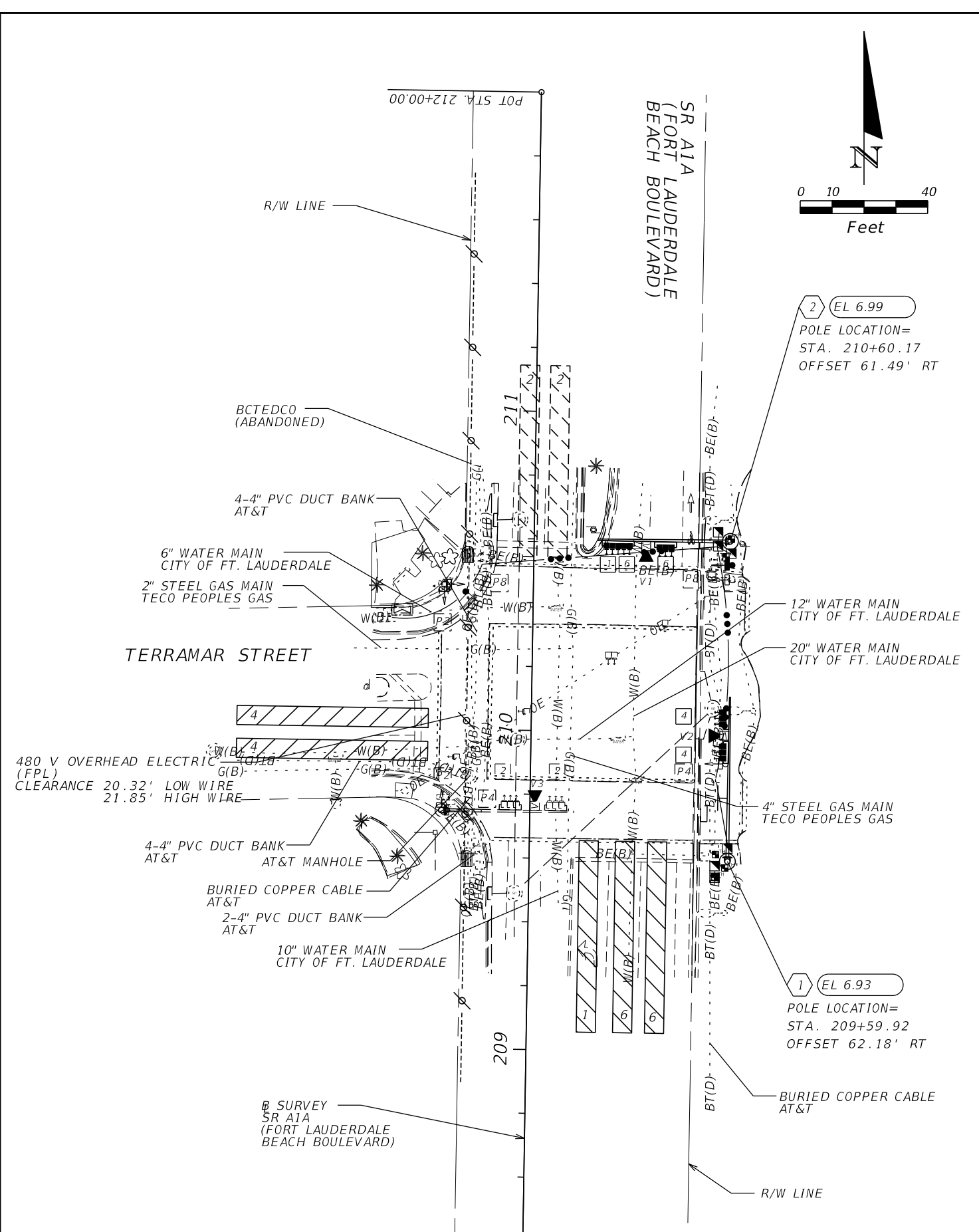
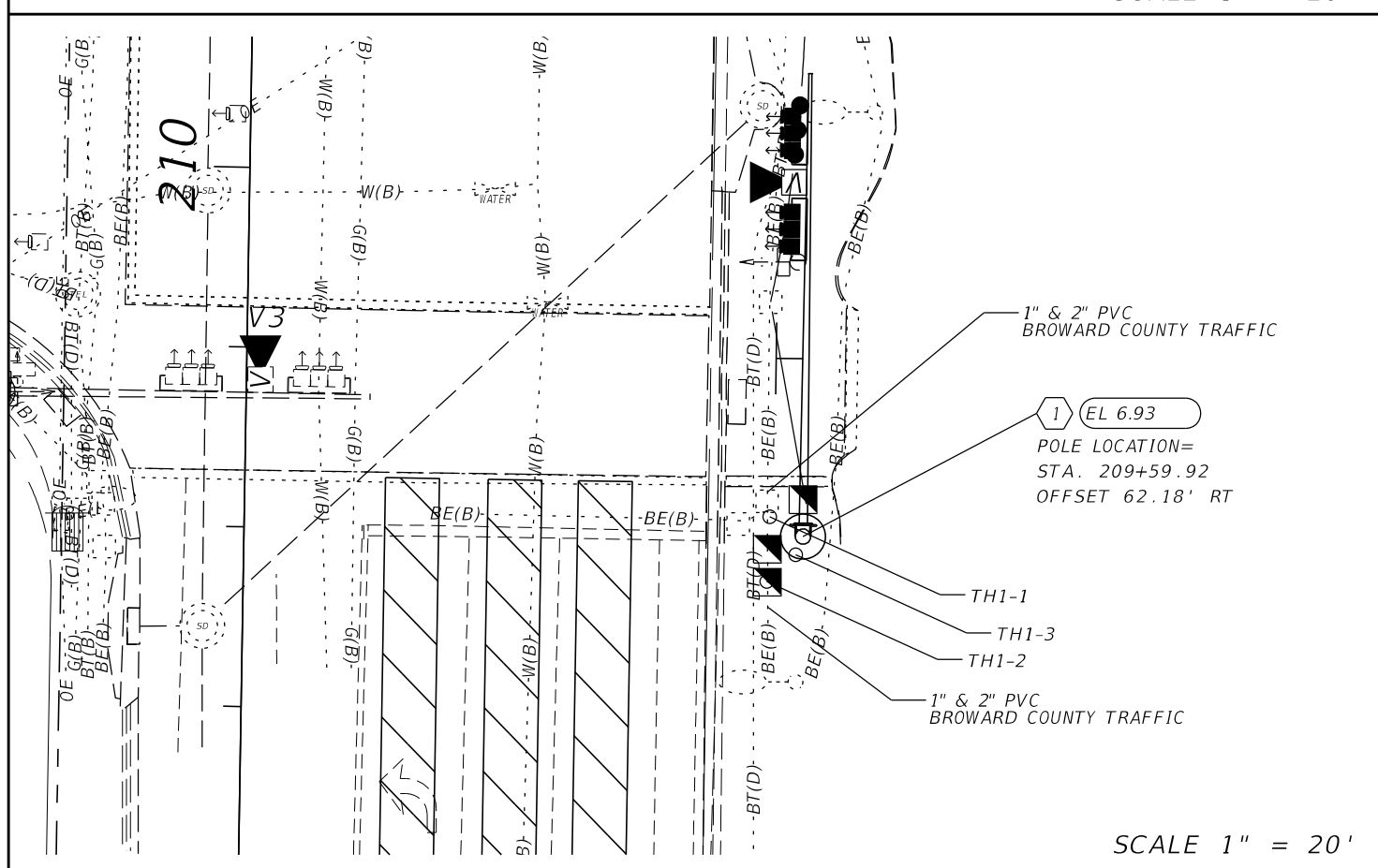
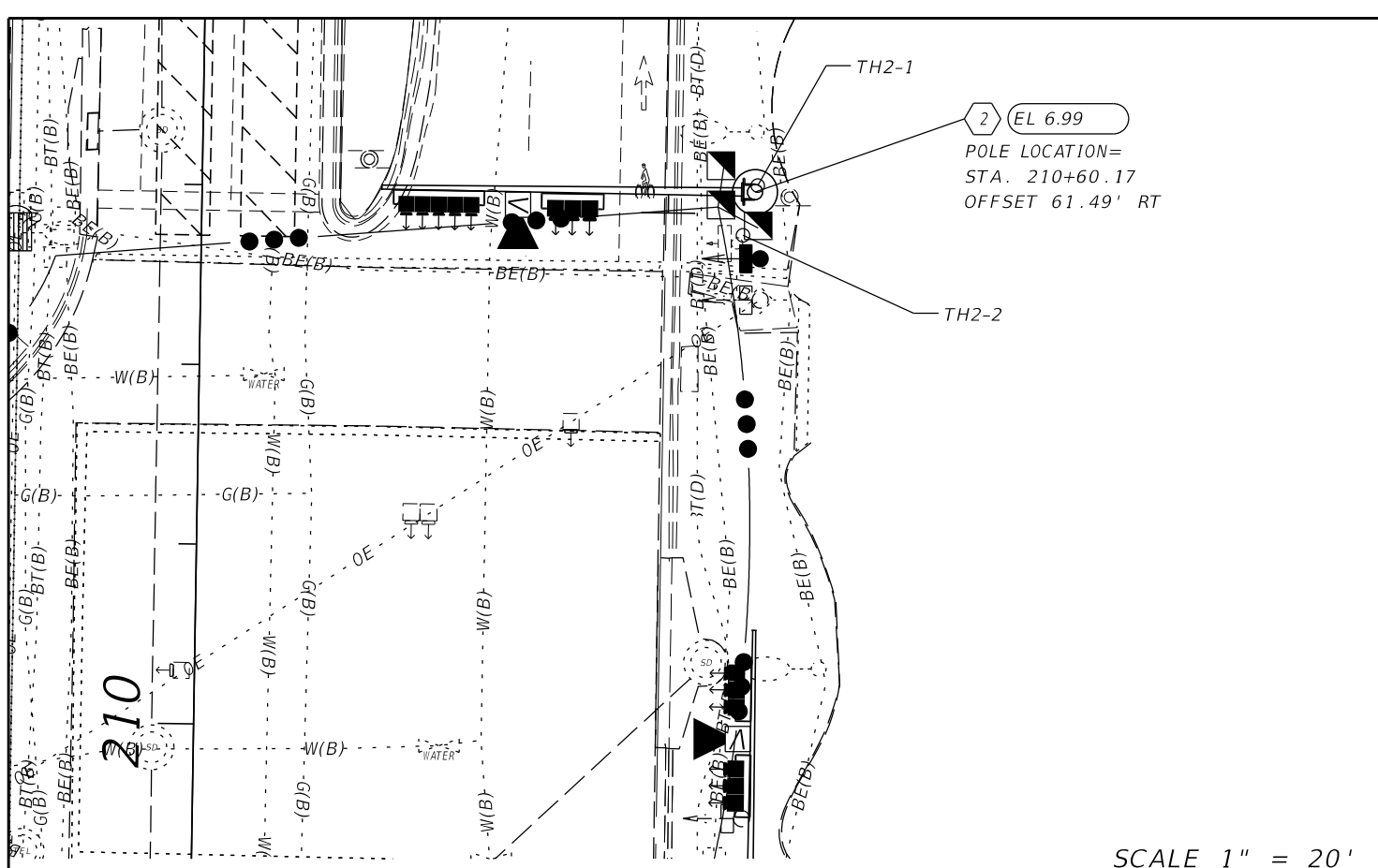
SHEET NO.
10



REVISIONS				DRMP, INC. 941 LAKE BALDWIN LANE, ORLANDO, FL 32814 PHONE: (407) 896-0594 FAX: (407) 896-4856 CERTIFICATE OF AUTHORIZATION No. 2648 JOCELYN M. HAISCH-LINN, P.E. LICENSE No. 60103	STATE OF FLORIDA DEPARTMENT OF TRANSPORTATION			SHEET NO. 11
DATE	DESCRIPTION	DATE	DESCRIPTION		ROAD NO.	COUNTY	FINANCIAL PROJECT ID	
					A/A	BROWARD	436219-3-72-01 436219-3-72-02	

THE OFFICIAL RECORD OF THIS SHEET IS THE ELECTRONIC FILE DIGITALLY SIGNED AND SEALED UNDER RULE 61G15-23.004, F.A.C. Drawn By : EFW 06-19 Designed By : KJW 06-19
 Checked By : JMHL 06-19

MAST ARM DETAILS
(2 OF 2)



REVISIONS			
DATE	DESCRIPTION	DATE	DESCRIPTION

DRMP, INC.
6853 SW 18TH STREET, STE. 310, BOCA RATON, FL 33453
PHONE: (561) 451-8124 FAX: (561) 451-8142
CERTIFICATE OF AUTHORIZATION No. 2648
CHRISTINE DALICKAS, P.E.
LICENSE NUMBER 62423

STATE OF FLORIDA DEPARTMENT OF TRANSPORTATION		
ROAD NO.	COUNTY	FINANCIAL PROJECT ID
A1A	BROWARD	436219-3-72-01 436219-3-72-02

UTILITY LOCATION PLAN		SHEET NO.
		12

THE OFFICIAL RECORD OF THIS SHEET IS THE ELECTRONIC FILE DIGITALLY SIGNED AND SEALED UNDER RULE 61G15-23.004, F.A.C.

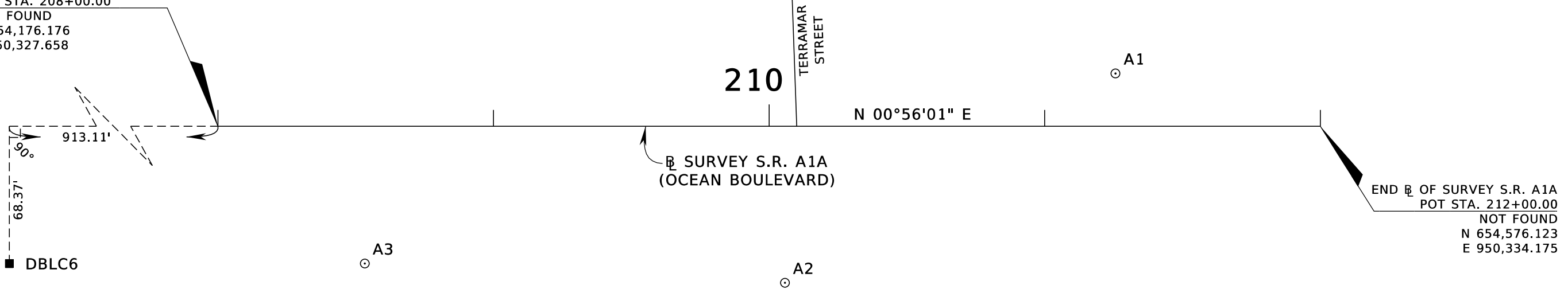
PROJECT CONTROL POINTS

§ SURVEY S.R. A1A (OCEAN BOULEVARD)
SECTION 6, TOWNSHIP 50 SOUTH, RANGE 43 EAST

NOT TO SCALE



BEGIN § OF SURVEY S.R. A1A
POT STA. 208+00.00
NOT FOUND
N 654,176.176
E 950,327.658



PROJECT CONTROL POINTS

POINT NAME	(Y) NORTHING	(X) EASTING	SCALE FACTOR	LATITUDE	LONGITUDE	BASELINE STATION	OFFSET	(Z) NAVD-88	DESCRIPTION
DBLC6	653,260.009	950,366.819	1.00004042	26°07'41.12574"	80°06'11.97243"	198+86.89	68.37' RT	7.39'	FOUND BRASS DISC IN CONCRETE "A1A-86-12-C6"
A1	654,502.121	950,313.759	1.00004039	26°07'53.43066"	80°06'12.46065"	211+25.68	19.21' LT	7.06'	SET NAIL & WASHER STAMPED "BEC 0129"
A2	654,380.960	950,387.863	1.00004044	26°07'52.22568"	80°06'11.65678"	210+05.74	56.86' RT	6.77'	SET NAIL & WASHER STAMPED "BEC 0129"
A3	654,228.652	950,378.366	1.00004043	26°07'50.71795"	80°06'11.77250"	208+53.30	49.85' RT	6.73'	SET NAIL & WASHER STAMPED "BEC 0129"

SURVEYOR'S NOTES:

1. THE PROJECT BASELINE OF SURVEY FOR S.R. A1A SHOWN HEREON WAS PROVIDED BY THE DEPARTMENT IN ELECTRONIC FORMAT (GPK FILE) RIGHT OF WAY PROJECT FOR S.R. A1A, FPID # 430601-1-52-01.
2. STATION AND OFFSET DATA TO SECONDARY CONTROL POINTS SHOWN HEREON ARE REFERENCED TO SAID BASELINE OF SURVEY FOR STATE ROAD A1A.
3. BEARINGS AND COORDINATES ARE RELATIVE TO THE STATE PLANE COORDINATES, FLORIDA EAST ZONE, NORTH AMERICAN DATUM (NAD) OF 1983 (1990 ADJUSTMENT). A BEARING OF S 13°17'33" E HAS BEEN ESTABLISHED BETWEEN SECONDARY CONTROL POINTS A1 AND A3.
4. COORDINATE VALUES SHOWN HEREON WERE DEVELOPED BY BISCAYNE ENGINEERING VIA GPS REAL TIME KINEMATIC SURVEY METHODS WITH REDUNDANT MEASUREMENTS UTILIZING THE FLORIDA PERMANENT REFERENCE NETWORK (FPRN), CONNECTED TO CONTINUOUSLY OPERATING REFERENCE STATION FTLD. NAD 83 (2011 ADJUSTMENT) COORDINATES WERE TRANSFORMED USING THE DEPARTMENT'S "SHIFT-C" PROGRAM TO CONVERT TO NAD 83 (1990 ADJUSTMENT) COORDINATE VALUES.
5. VERTICAL VALUES SHOWN HEREON ARE IN NORTH AMERICAN VERTICAL DATUM (NAVD) OF 1988 AND ARE BASED ON A LEVEL RUN PERFORMED BY BISCAYNE ENGINEERING USING BENCHMARKS PROVIDED BY THE DEPARTMENT ON A PROJECT NETWORK CONTROL FOR STATE ROAD A1A PREPARED BY KEITH & ASSOCIATES, DATED DECEMBER 16, 2013, FPID # 430601-1-52-01:
DBLC6: FOUND BRASS DISC IN CONCRETE STAMPED "A1A-86-12-C6", ELEVATION = 7.387'
6. PROJECT UNITS ARE U.S. SURVEY FEET.
7. FOR ADDITIONAL INFORMATION ABOUT THE METHODOLOGIES EMPLOYED IN THE ESTABLISHMENT OF THE PROJECT NETWORK CONTROL AND SOURCE OF BASELINE OF SURVEY DEPICTED HEREON REFER TO THE SURVEYOR'S REPORT PREPARED BY BISCAYNE ENGINEERING COMPANY, INC. FOR THIS PROJECT, REFERENCE FPID# 436219-3-72-01, DATED 03-29-2019.
8. THIS MAP IS NOT COMPLETE WITHOUT THE ACCOMPANYING SURVEYOR'S REPORT PREPARED BY BISCAYNE ENGINEERING AS MENTIONED IN ITEM 7 ABOVE.

FIELD BOOK REFERENCES: 4320043
GEOPAK COGO DATABASE: JOBA1A.GPK

ABBREVIATIONS:

§ - BASELINE
NL - NAIL
PNC - PROJECT NETWORK CONTROL
POT - POINT ON TANGENT
S.R. - STATE ROAD
STA.- STATION

SYMBOLS:

■ - PRIMARY CONTROL POINT, AS DESCRIBED
○ - SECONDARY CONTROL POINT, AS DESCRIBED

REFERENCE DATA:

1. RIGHT OF WAY PROJECT ELECTRONIC FILES FOR S.R. A1A, BROWARD COUNTY.
2. PROJECT NETWORK CONTROL SHEET, REFERENCE FPID# 430601-1-52-01, PREPARED BY KEITH AND ASSOCIATES, INC., DATED 12-16-2013

LIMITS: S.R. A1A AT TERRAMAR STREET INTERSECTION

SURVEYOR'S CERTIFICATION:

I HEREBY CERTIFY THAT THIS SPECIFIC PURPOSE SURVEY WAS MADE FOR THE PURPOSE OF SURVEYING, REFERENCING, DESCRIBING, AND MAPPING THE PRIMARY NETWORK CONTROL OR BASELINE FOR THE TRANSPORTATION FACILITY DEPICTED HEREON AND THAT SAID SURVEY WAS DONE UNDER THE DIRECTION, SUPERVISION, AND RESPONSIBLE CHARGE OF LUIS A. GAZTAMBIDE, PSM 6816, BISCAYNE ENGINEERING COMPANY. (SURVEY DATE 03-20-2019) IN ACCORDANCE WITH CHAPTER 5J-17 FLORIDA ADMINISTRATIVE CODE PURSUANT TO SECTION 472.027 FLORIDA STATUTES. THIS MAP CONSISTING OF SHEET CTL-1 IS A TRUE, ACCURATE, AND COMPLETE DEPICTION OF THE RESULTS OF THE SURVEY DESCRIBED ABOVE.

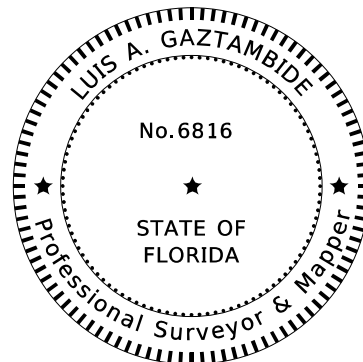
THIS DOCUMENT HAS BEEN DIGITALLY SIGNED AND SEALED BY:

BISCAYNE ENGINEERING COMPANY, INC.
529 WEST FLAGLER STREET, MIAMI, FL. 33130
CERTIFICATE OF AUTHORIZATION: LB0129
SURVEYOR OF RECORD: LUIS A. GAZTAMBIDE, PSM 6816

PRINTED COPIES OF THIS DOCUMENT ARE NOT CONSIDERED SIGNED AND SEALED. THE SIGNATURE MUST BE VERIFIED ON THE ELECTRONIC DOCUMENTS.

THE ABOVE NAMED PROFESSIONAL SURVEYOR & MAPPER SHALL BE RESPONSIBLE FOR THE FOLLOWING SHEETS IN ACCORDANCE WITH RULE 5J-17.062, F.A.C.

INDEX OF SURVEY PLANS	
CTL-1	PROJECT CONTROL POINTS



REVISIONS				LUIS A. GAZTAMBIDE PSM NO. 6816, STATE OF FLORIDA BISCAYNE ENGINEERING COMPANY, INC. 529 W. FLAGLER STREET, MIAMI, FL 33130 CERTIFICATE OF AUTHORIZATION NO. 0129	STATE OF FLORIDA DEPARTMENT OF TRANSPORTATION			SHEET NO. PROJECT CONTROL CTL-1
DATE	DESCRIPTION	DATE	DESCRIPTION		ROAD NO.	COUNTY	FINANCIAL PROJECT ID	
					S.R. A1A	BROWARD	436219-3-72-01	

SUSERS

SDATES

STIMES

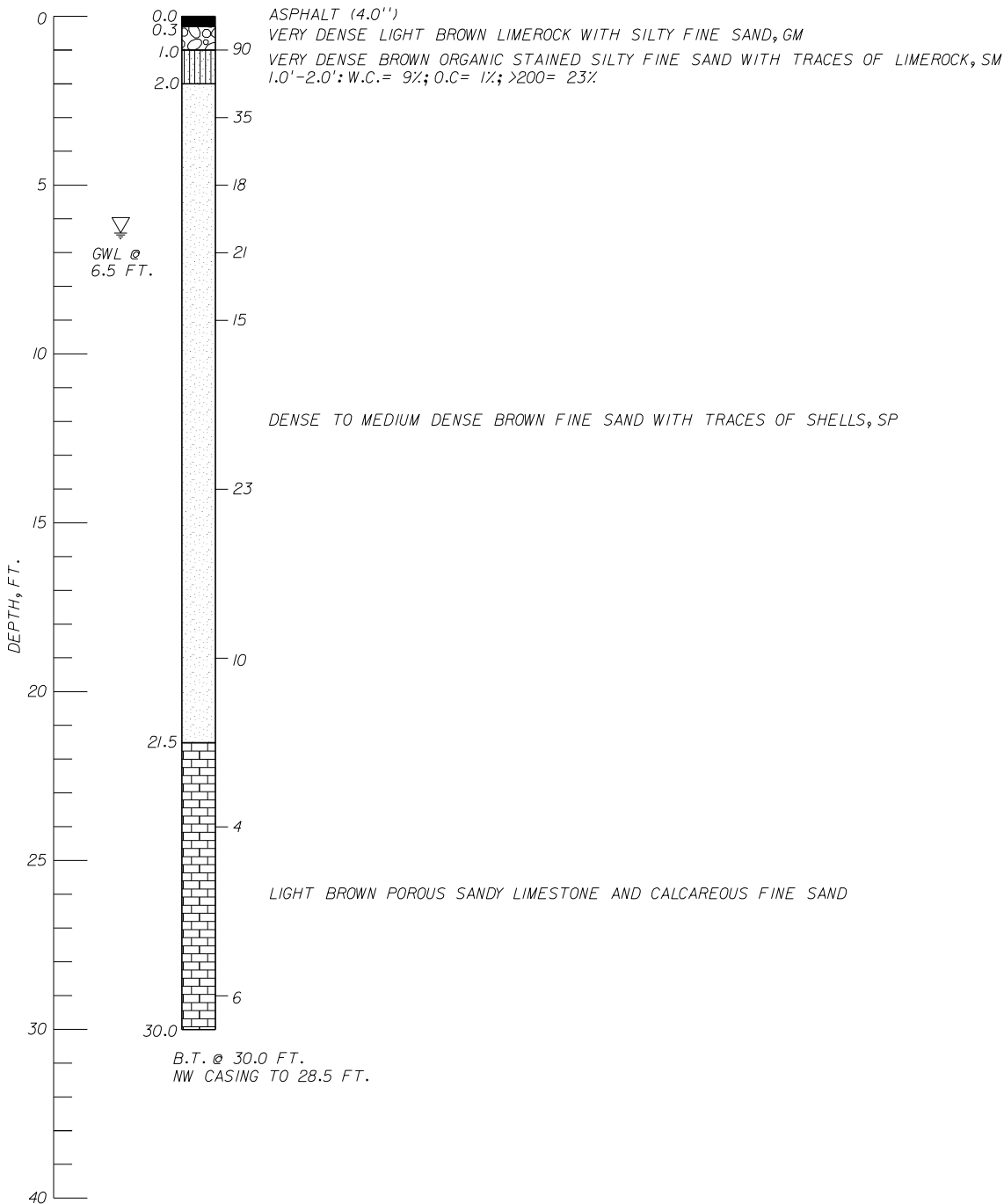
SFILES

NOTICE: THE OFFICIAL RECORD OF THIS SHEET IS THE ELECTRONIC FILE SIGNED AND SEALED UNDER RULE 5J-17.062, F.A.C.

MA-1

LATITUDE: 26.13106°
 LONGITUDE: -80.10329°
 STATION: 209+65 (@ SURVEY SR A1A)
 OFFSET: 40 RT
 DATE: 04/09/19

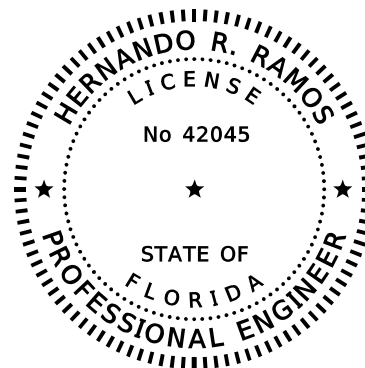
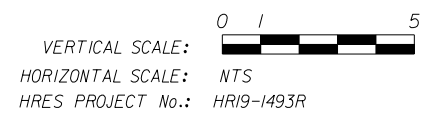
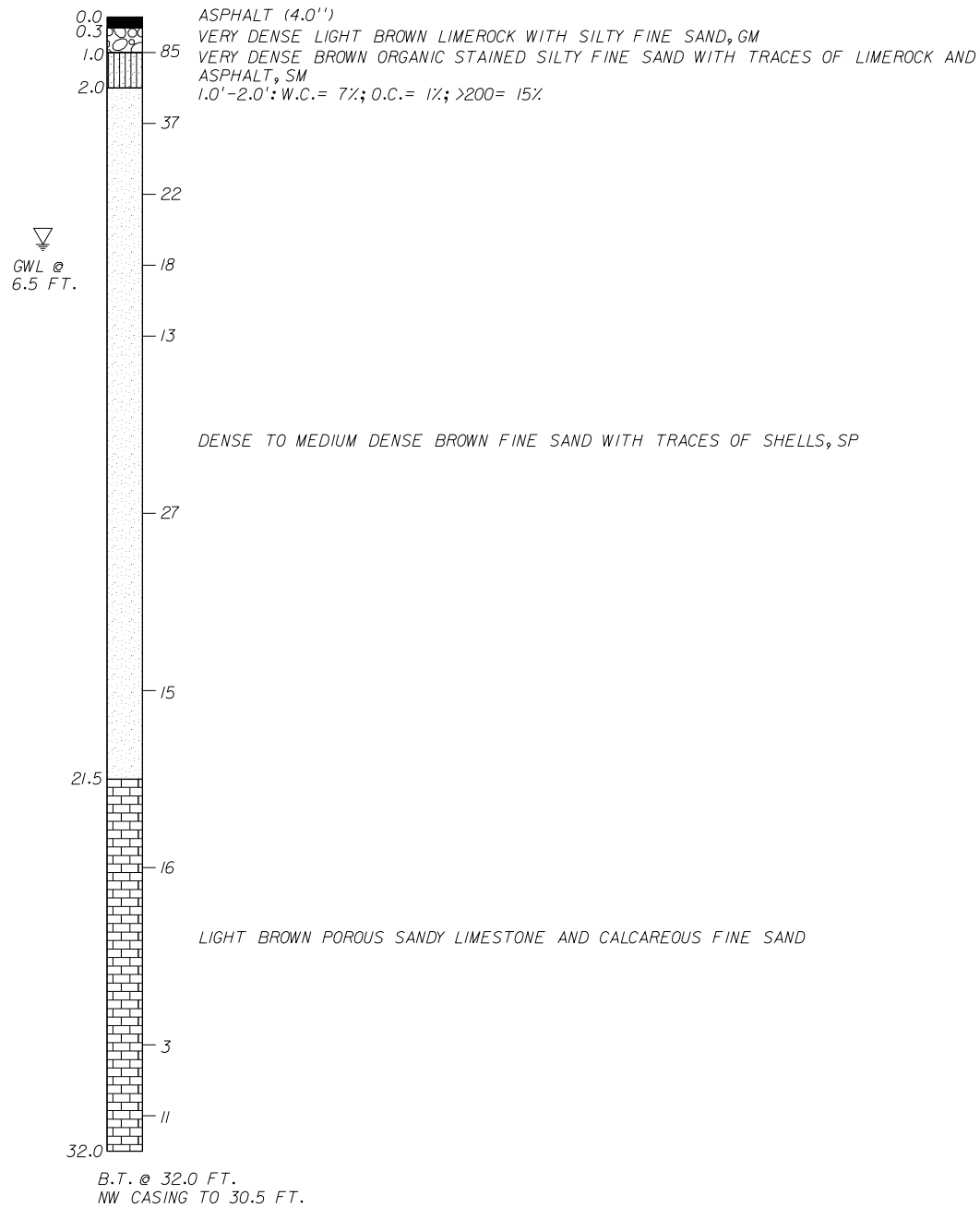
DEPTH, FT. N



MA-2

LATITUDE: 26.13132°
 LONGITUDE: -80.10328°
 STATION: 210+60 (@ SURVEY SR A1A)
 OFFSET: 40 RT
 DATE: 04/09/19

DEPTH, FT. N



THIS ITEM HAS BEEN DIGITALLY SIGNED AND SEALED BY

ON THE DATE ADJACENT TO THE SEAL

PRINTED COPIES OF THIS DOCUMENT ARE NOT CONSIDERED SIGNED AND SEALED AND THE SIGNATURE MUST BE VERIFIED ON ANY ELECTRONIC COPIES.

HR ENGINEERING SERVICES, INC.
 7815 NW 72ND AVENUE
 MEDLEY, FL 33166
 CA NO. : 7991
 HERNANDO R. RAMOS, P.E. NO. 42045

LEGEND:

- ASPHALT
- LIMEROCK
- LIMESTONE WITH FINE SAND
- FINE SAND
- SILTY SAND

GROUND WATER LEVEL AT BORING COMPLETION

B.T. BORING TERMINATED

N: STANDARD PENETRATION RESISTANCE (AUTOMATIC HAMMER)

W.C.: WATER CONTENT

O.C.: ORGANIC CONTENT

>10: PERCENT PASSING #10 SIEVE

>40: PERCENT PASSING #40 SIEVE

>200: PERCENT PASSING #200 SIEVE

HAMMER WEIGHT = 140 LB

DROP HEIGHT = 30 IN

THE TEST BORINGS WERE PERFORMED BY HRES USING A CME-55 TRUCK MOUNTED RIG.

GRANULAR MATERIALS:

DENSITY	SPT N-VALUE (BLOWS/12 INCHES)
VERY LOOSE	<3
LOOSE	3-8
MEDIUM DENSE	8-24
DENSE	24-40
VERY DENSE	>40

SILTS AND CLAYS:

CONSISTENCY	SPT N-VALUE (BLOWS/12 INCHES)
VERY SOFT	<1
SOFT	1-3
FIRM	3-6
STIFF	6-12
VERY STIFF	12-24
HARD	>24

REVISIONS

DATE	BY	DESCRIPTION	DATE	BY	DESCRIPTION

HERNANDO R. RAMOS, P.E.
 P.E. LICENSE NUMBER 42045
 HR ENGINEERING SERVICES, INC
 7815 NW 72ND AVENUE
 MEDLEY, FLORIDA 33166
 CERTIFICATE OF AUTHORIZATION 7991

DRAWN BY: ME 04-19	STATE OF FLORIDA DEPARTMENT OF TRANSPORTATION		
CHECKED BY: PB 04-19	ROAD NO.	COUNTY	FINANCIAL PROJECT ID
DESIGNED BY: PB 04-19	SR A1A	BROWARD	436219-3-72-01
CHECKED BY: HRR 04-19			

SHEET TITLE: REPORT OF CORE BORINGS		REF. DWG. NO.
PROJECT NAME: SR A1A/SOUTH FORT LAUDERDALE BEACH BOULEVARD AT TERRAMAR STREET		SHEET NO. GT-1

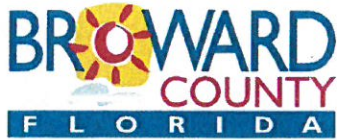
THE OFFICIAL RECORD OF THIS SHEET IS THE ELECTRONIC FILE DIGITALLY SIGNED AND SEALED UNDER RULE 61G15-23.004, F.A.C.

SECTION NO.: 86050
FM NO.: 436219-3-72-01
COUNTY: Broward
S.R. No.: SR A1A@TERRAMAR STREET
Agreement #: 20191031-1

EXHIBIT C

BROWARD COUNTY ACKNOWLEDGEMENT LETTER (attached)

[The remainder of this page intentionally left blank.]



**PUBLIC WORKS DEPARTMENT
TRAFFIC ENGINEERING DIVISION**

2300 W. Commercial Boulevard • Fort Lauderdale, Florida 33309 • 954-847-2600

September 19, 2019

Mr. Mark Plass, P.E.
District Traffic Operations Engineer
Florida Department of Transportation, District Four
3400 West Commercial Boulevard
Fort Lauderdale, FL 33309

Subject:FPID No. 436219-3-72-01
SR A1A at Terramar Street – Signal File No. 2338
Mast-Arm Painting Maintenance by City of Fort Lauderdale

Dear Mark,

Broward County has no objection to the City of Fort Lauderdale painting and/or maintaining the paint finish on the traffic signal trombone mast-arms and related structures at the intersection of SR-A1A at Terramar Street as part of FPID No. 436219-3-72-01. The County does not object to the City of Fort Lauderdale and the Department entering into a maintenance agreement to perform and/or maintain the mast-arm painting in accordance with the District's mast-arm painting procedures and any other applicable paint-over-galvanized steel structure standards and specifications. County staff would appreciate at least seven (7) calendar days notification of any scheduled paint finish maintenance work to avoid any conflicts with any signal equipment maintenance to be performed by our agency.

If you have any questions, please feel free to contact me at (954) 847-2600.

Sincerely,

A handwritten signature in blue ink that reads "Andrew G. Sebo".

Andrew G. Sebo, P.E., PTOE
Interim Director, Broward County Traffic Engineering Division

cc: Anthony Hui, P.E., Deputy Director, Broward County Public Works Department
Yves d'Anjou, P.E., Acting Assistant Director, Broward County Traffic Engineering Division
SR A1A at Terramar Street Intersection File (2338)

SECTION NO.: 86050
FM NO.: 436219-3-72-01
COUNTY: Broward
S.R. No.: SR A1A@TERRAMAR STREET
Agreement #: 20191031-1

EXHIBIT D

MAINTENANCE PLAN REQUIREMENTS

The **AGENCY** shall submit to the **DEPARTMENT** a maintenance plan detailing the means and methods for accomplishing repairs to the color coated painted trombone mast arm assemblies (includes upright pole and arm) in accordance with all **DEPARTMENT** Standards, Procedures and Specifications. This plan must be submitted and approved by the **DEPARTMENT** prior to commencing any maintenance or repair activities. The plan should at minimum detail how the **AGENCY** will address the following:

1. Providing for continuous traffic control and necessary traffic control devices as required for the safe movement of traffic of vehicular and pedestrian traffic past the location of the structure being repaired for the duration of the repair in accordance with **DEPARTMENT** Standards, Procedures and Specifications.
2. Protection of adjacent surrounding property, real estate, vehicles, pedestrians, attachments to the light poles, or other assets during the preparation and recoating of surfaces.
3. Containment of debris or materials used in or resulting from the repair.

After the maintenance plan is approved, the **AGENCY** shall submit a work plan to the **DEPARTMENT** for approval prior to each repair to be performed detailing:

1. The proposed date of the repair
2. The location of the repair
3. The nature of the repair
4. The materials to be used for the repair
5. The methods to be used for the repair