

THE JAMES WINDER LAND TRUST

#FTL

FORT LAUDERDALE PUBLIC ART

June 26, 2023

ROBERTO BEHAR & ROSARIO MARQUARDT - R&R STUDIOS

www.rr-studios.com @rrstudiosmiami

CAM 24-0183

Exhibit 1

Page 1 of 8



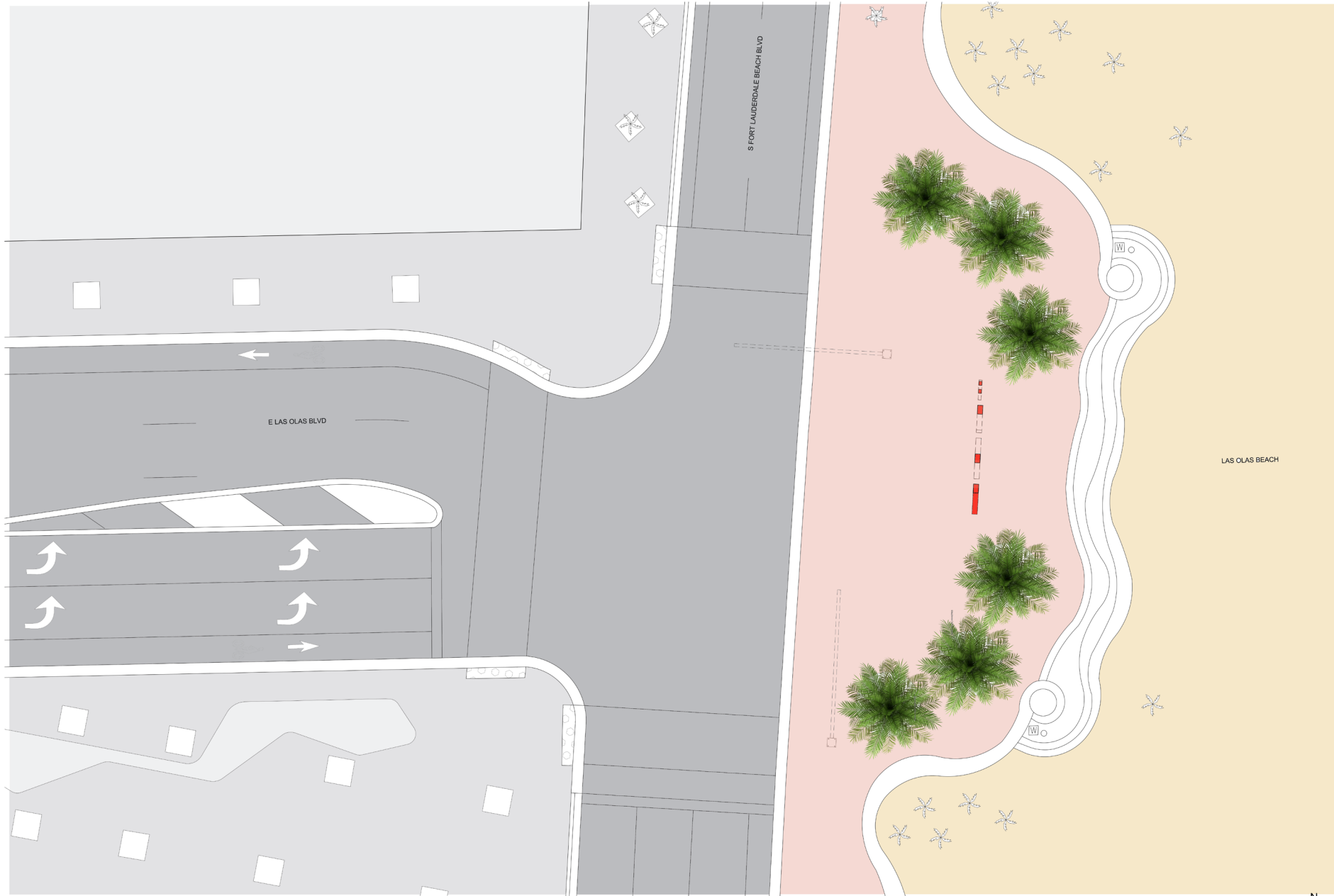








POSSIBLE PROJECT LOCATION AREA 



**R & R
STUDIOS**
2654a NW 21st TERRACE
MIAMI, FL 33142
Tel: (305) 573-0523
info@rr-studios.com

NOTE:
THE ABOVE DRAWINGS, IDEAS AND
DESIGNS ARE THE SOLE PROPERTY OF
R&R STUDIOS. NO PART THEREOF
SHALL BE COPIED, DISCLOSED TO
OTHERS, OR USED IN CONNECTION
WITH ANY PROJECTS OTHER THAN THE
SPECIFIC PROJECT FOR WHICH THEY
HAVE BEEN PREPARED WITHOUT THE
WRITTEN CONSENT OF R&R STUDIOS.
© 2021 R & R STUDIOS

PROJECT:
FORT LAUDERDALE LETTERS

REVISIONS

DRAWING:

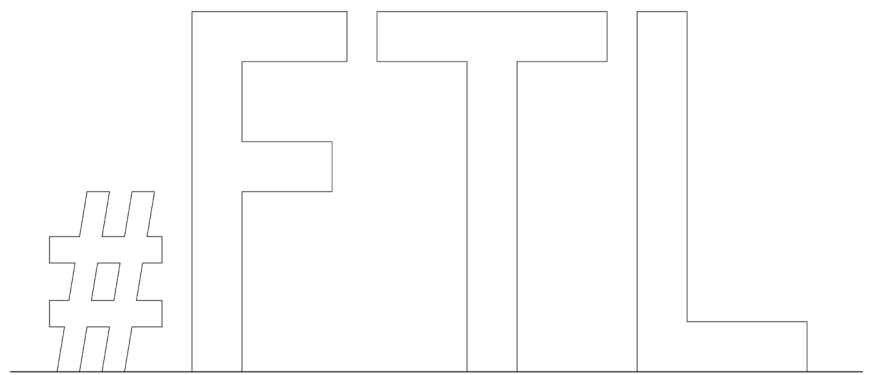
SHEET No:
ART-1

DATE: 06-15-2023

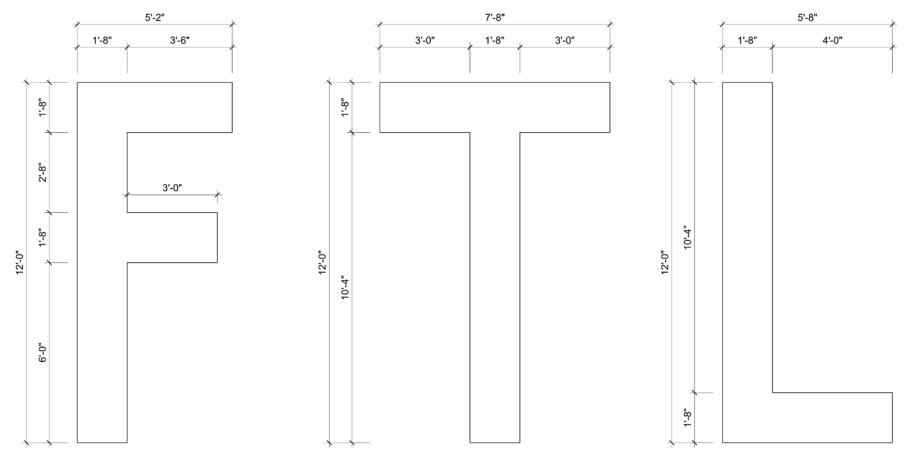
1 SITE PLAN
1/8" = 1'-0"



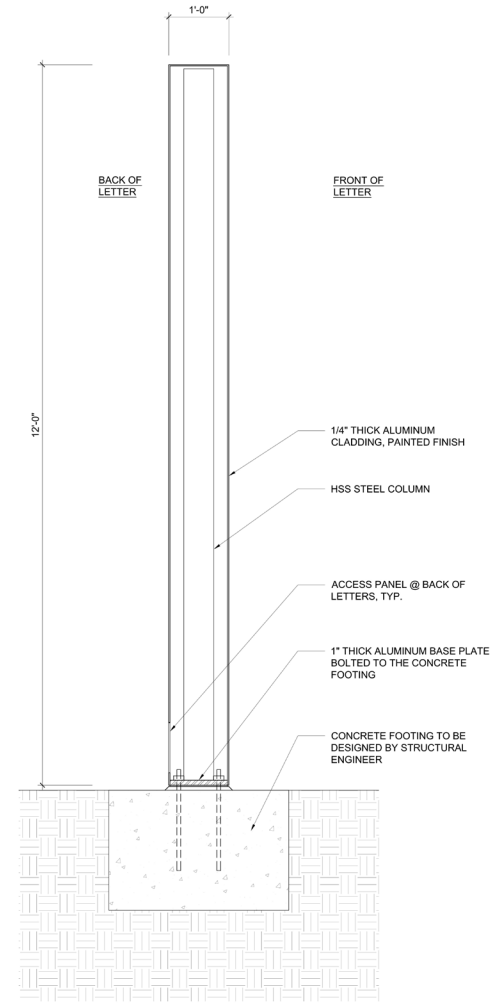
① PLAN
1/2" = 1'-0"



② FRONT ELEVATION
1/2" = 1'-0"



③ FRONT ELEVATION @ EACH LETTER
1/2" = 1'-0"



④ SECTION
1" = 1'-0"

R & R STUDIOS
 2654a NW 21st TERRACE
 MIAMI, FL 33142
 Tel: (305) 573-0523
 info@rr-studios.com

NOTE:
 THE ABOVE DRAWINGS, IDEAS AND DESIGNS ARE THE SOLE PROPERTY OF R&R STUDIOS. NO PART THEREOF SHALL BE COPIED, DISCLOSED TO OTHERS, OR USED IN CONNECTION WITH ANY PROJECTS OTHER THAN THE SPECIFIC PROJECT FOR WHICH THEY HAVE BEEN PREPARED WITHOUT THE WRITTEN CONSENT OF R&R STUDIOS.

© 2021 R & R STUDIOS

PROJECT:

FORT LAUDERDALE LETTERS

REVISIONS

DRAWING:
 SHEET No:
ART-1
 DATE: 01-12-2022