

**Kimley»Horn**  
1920 WERKVA WAY #200  
WEST PALM BEACH, FL 33411  
PHONE: 561-845-0985 FAX:  
561-530-2245  
WWW.KIMLEY-HORN.COM  
REGISTRY 696  
© 2022 KIMLEY-HORN AND  
ASSOCIATES, INC.

DESIGNED BY: JONATHAN D. HAIGH, PLA  
STATE LICENSE NUMBER  
LA #6666795  
06/30/2022

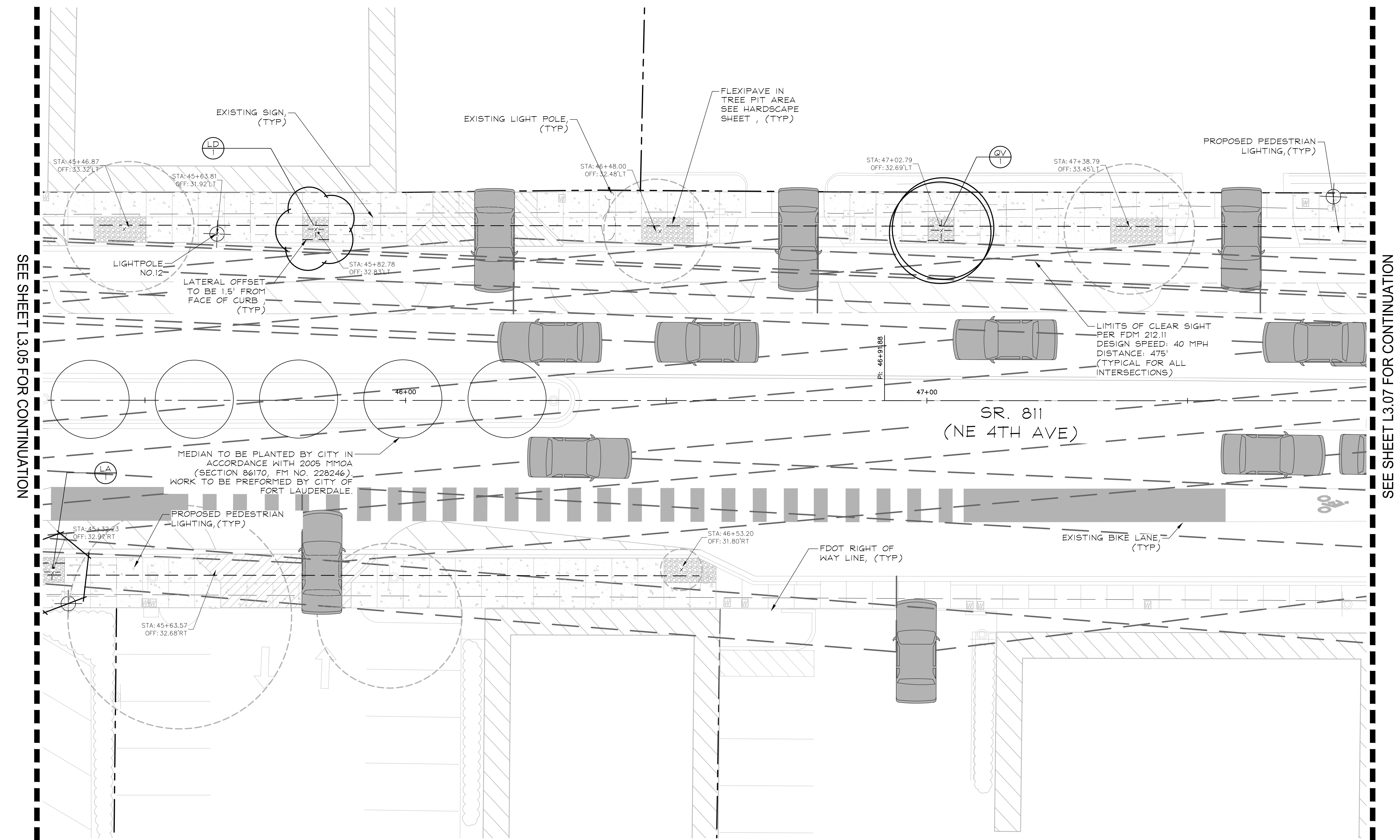
DRAWN BY: DATE: 07/01/2021  
DESIGNED BY: SCALE: AS SHOWN  
CHECKED BY: FIELD BOOK:

**CITY OF FORT LAUDERDALE**  
TRANSPORTATION  
&  
MOBILITY  
  
290 NE 3RD AVE., FORT LAUDERDALE, FL 33301

REVISIONS	
NO.	DESCRIPTION

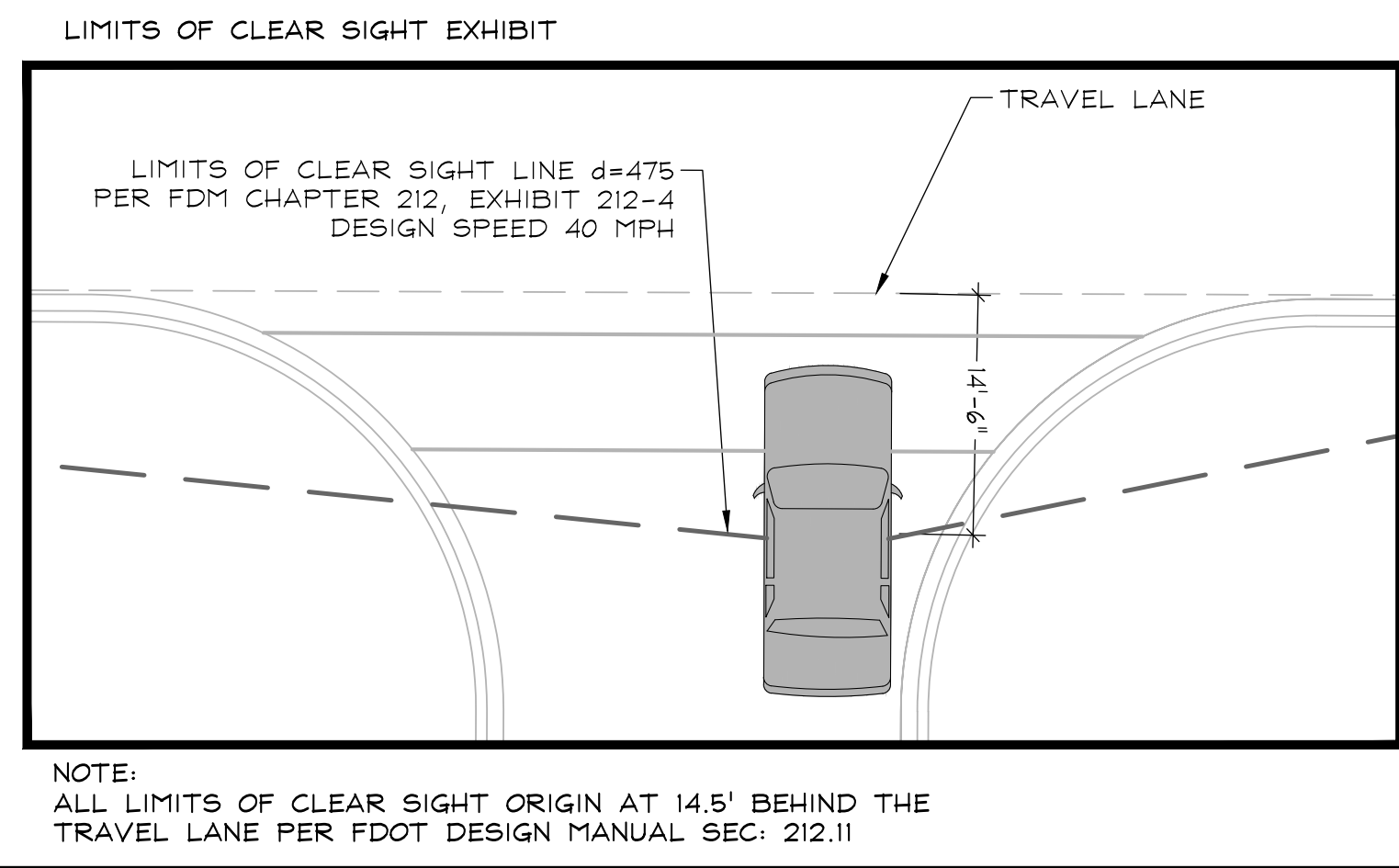
**PROJECT # 12557**  
**NE 4TH AVENUE STREETSCAPE PROJECT**  
**E SUNRISE BLVD TO NE 13TH ST**  
**FORT LAUDERDALE, FL**  
**LANDSCAPE PLAN**

SHEET NO.  
**L3.06**



SEE SHEET L3.05 FOR CONTINUATION

SEE SHEET L3.07 FOR CONTINUATION



NOTE: EXISTING SHRUB AND GROUND COVER PLANTINGS LOCATED WITHIN CLEAR SIGHT LIMIT INDICATED TO REMAIN SHALL BE TRIMMED 12" FROM BACK OF CURB AND MAINTAINED HEIGHT NOT TO EXCEED 18". ALL TREES AND PALMS TO BE MAINTAINED WITH 8' OF CLEAR TRUNK.

NOTE: THE FDOT REQUIRES A 14.5' VERTICAL CLEARANCE ABOVE ROADWAYS AND ALSO REQUIRES AN 8.5' VERTICAL CLEARANCE ABOVE WALKWAYS.

NOTE: SECTION 7-1.4: COMPLIANCE WITH FEDERAL ENDANGERED SPECIES ACT AND OTHER WILDLIFE REGULATIONS OF THE FDOT STANDARD SPECIFICATIONS FOR ROAD AND BRIDGE CONSTRUCTION MANUAL SHOULD BE ADHERED TO FOR WILDLIFE INVOLVEMENT DURING CONSTRUCTION.

**PLANT SCHEDULE**

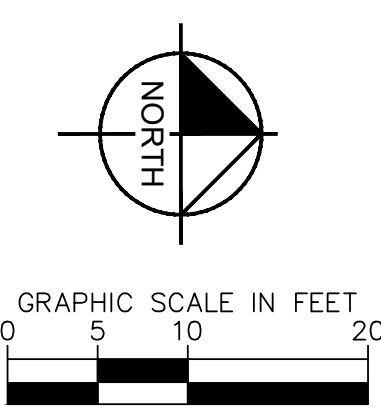
TREES	COMMON NAME
LA	Muskogee Grape Myrtle 8' CT, Standard
LD	Natchez Grape Myrtle 8' CT, Standard
QV	High Rise Live Oak 8' CT
VA	Montgomery Palm Single Trunk, 10' GW MIN.

VERTICAL DATUM  
ELEVATIONS SHOWN HEREON ARE BASED ON THE  
NORTH AMERICAN VERTICAL DATUM OF 1988.  
NAVD '88 ELEV. + 1.565' = NGVD '29 ELEVATION

THE PRESENCE OF GROUNDWATER SHOULD BE ANTICIPATED. CONTRACTOR'S BID SHALL INCLUDE CONSIDERATION FOR ADDRESSING THIS ISSUE AND OBTAINING ALL NECESSARY PERMITS.

CALL 2 WORKING DAYS BEFORE YOU DIG

IT'S THE LAW!  
DIAL 811  
Know what's below.  
Call before you dig.  
SUNSHINE STATE ONE CALL OF FLORIDA, INC.



**Kimley»Horn**  
 1920 WERKVA WAY #200  
 WEST PALM BEACH, FL 33411  
 PHONE: 561-845-0985 FAX: 561-530-2245  
 WWW.KIMLEY-HORN.COM  
 REGISTRY 696  
 © 2022 KIMLEY-HORN AND ASSOCIATES, INC.

SEAL  
 JONATHAN D. HAIGH, PLA  
 STATE LICENSE NUMBER  
 LA #6666795  
 06/30/2022

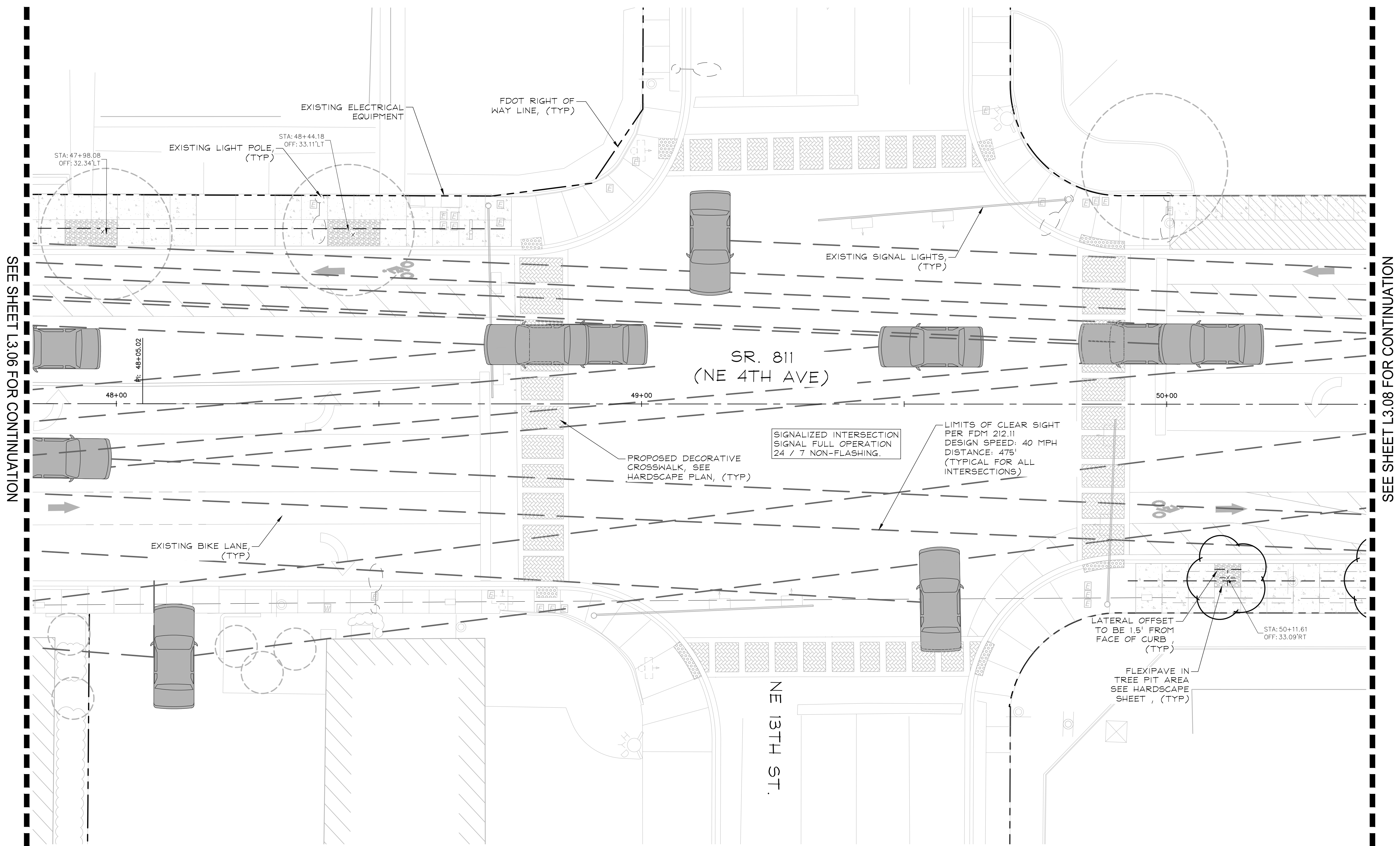
DRAWN BY: DATE: 07/01/2021  
 DESIGNED BY: SCALE: AS SHOWN  
 CHECKED BY: FIELD BOOK:

CITY OF FORT LAUDERDALE  
 TRANSPORTATION & MOBILITY  
  
 290 NE 3RD AVE., FORT LAUDERDALE, FL 33301

NO.	DATE	BY	CHKD	DESCRIPTION

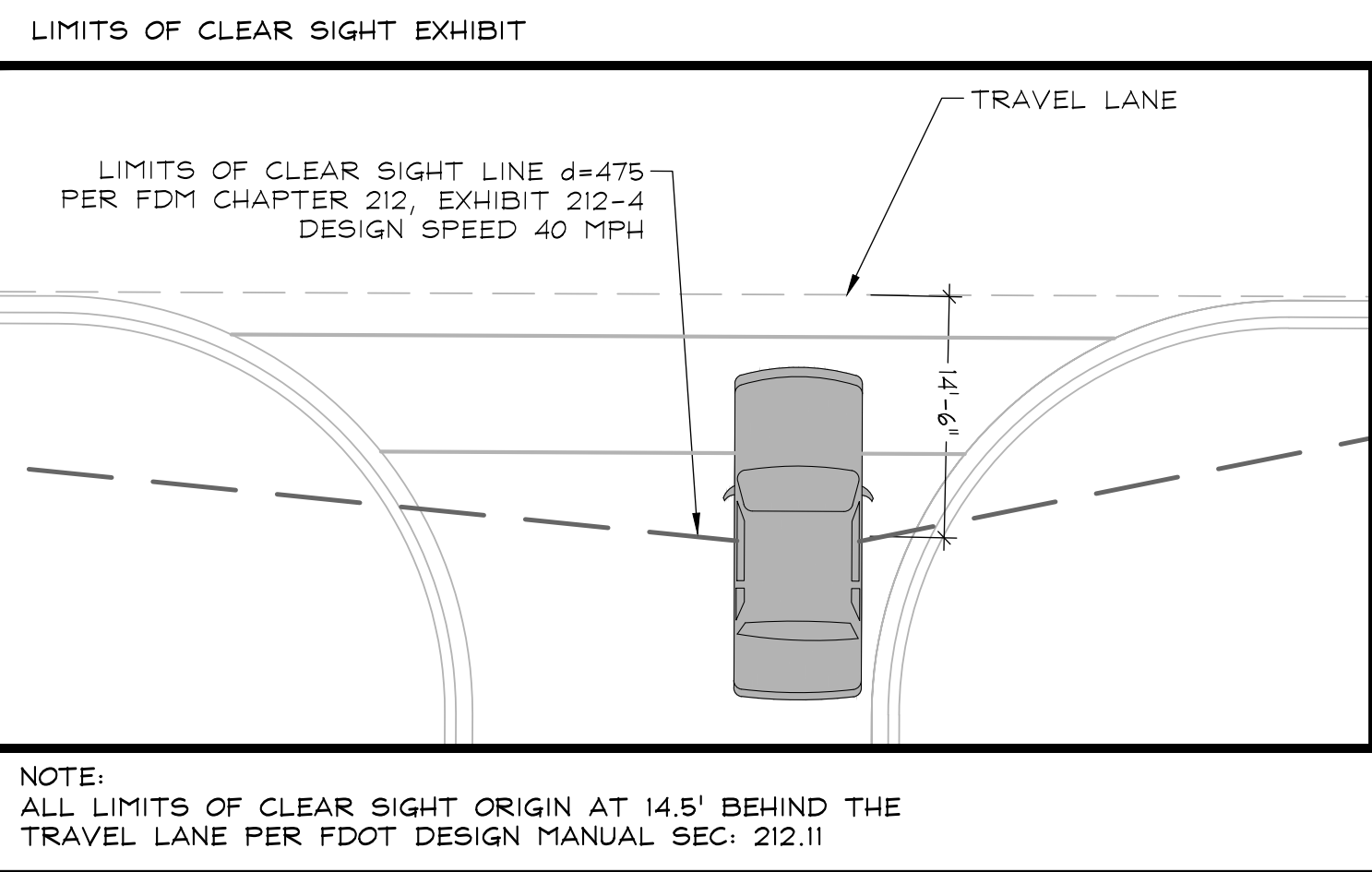
PROJECT # 12557  
 NE 4TH AVENUE STREETSCAPE PROJECT  
 E SUNRISE BLVD TO NE 13TH ST  
 FORT LAUDERDALE, FL  
 LANDSCAPE PLAN

SHEET NO.  
**L3.07**



SEE SHEET L3.06 FOR CONTINUATION

SEE SHEET L3.08 FOR CONTINUATION



NOTE: EXISTING SHRUB AND GROUND COVER PLANTINGS LOCATED WITHIN CLEAR SIGHT LIMIT INDICATED TO REMAIN SHALL BE TRIMMED 12" FROM BACK OF CURB AND MAINTAINED HEIGHT NOT TO EXCEED 18". ALL TREES AND PALMS TO BE MAINTAINED WITH 8' OF CLEAR TRUNK.

NOTE: THE FDOT REQUIRES A 14.5' VERTICAL CLEARANCE ABOVE ROADWAYS AND ALSO REQUIRES AN 8.5' VERTICAL CLEARANCE ABOVE WALKWAYS.

NOTE: SECTION 7-1.4: COMPLIANCE WITH FEDERAL ENDANGERED SPECIES ACT AND OTHER WILDLIFE REGULATIONS OF THE FDOT STANDARD SPECIFICATIONS FOR ROAD AND BRIDGE CONSTRUCTION MANUAL SHOULD BE ADHERED TO FOR WILDLIFE INVOLVEMENT DURING CONSTRUCTION.

PLANT SCHEDULE

TREES	COMMON NAME
LA	Muskogee Grape Myrtle 8' CT, Standard
LD	Natchez Grape Myrtle 8' CT, Standard
QV	High Rise Live Oak 8' CT
VA	Montgomery Palm Single Trunk, 10' GW MIN.

VERTICAL DATUM  
 ELEVATIONS SHOWN HEREON ARE BASED ON THE NORTH AMERICAN VERTICAL DATUM OF 1988.  
 NAVD '88 ELEV. + 1.565' = NGVD '29 ELEVATION

THE PRESENCE OF GROUNDWATER SHOULD BE ANTICIPATED. CONTRACTOR'S BID SHALL INCLUDE CONSIDERATION FOR ADDRESSING THIS ISSUE AND OBTAINING ALL NECESSARY PERMITS.


CALL 2 WORKING DAYS BEFORE YOU DIG

IT'S THE LAW!  
 DIAL 811  
 Know what's below.  
 Call before you dig.  
 SUNSHINE STATE ONE CALL OF FLORIDA, INC.

**Kimley»Horn**  
 1920 WERKVA WAY #200  
 WEST PALM BEACH, FL 33411  
 PHONE: 561-845-0865 FAX:  
 561-833-2245  
 WWW.KIMLEY-HORN.COM  
 REGISTRY 696  
 © 2022 KIMLEY-HORN AND  
 ASSOCIATES, INC.

SEAL  
 JONATHAN D. HAIGH, PLA  
 STATE LICENSE NUMBER  
 LA #6666795  
 06/30/2022

DRAWN BY: DATE: 07/01/2021  
 DESIGNED BY: SCALE: AS SHOWN  
 CHECKED BY:  
 FIELD BOOK:

CITY OF FORT LAUDERDALE  
 TRANSPORTATION  
 &  
 MOBILITY  
  
 290 N.E. 3RD AVE., FORT LAUDERDALE, FL 33301

REVISIONS	
NO.	DESCRIPTION

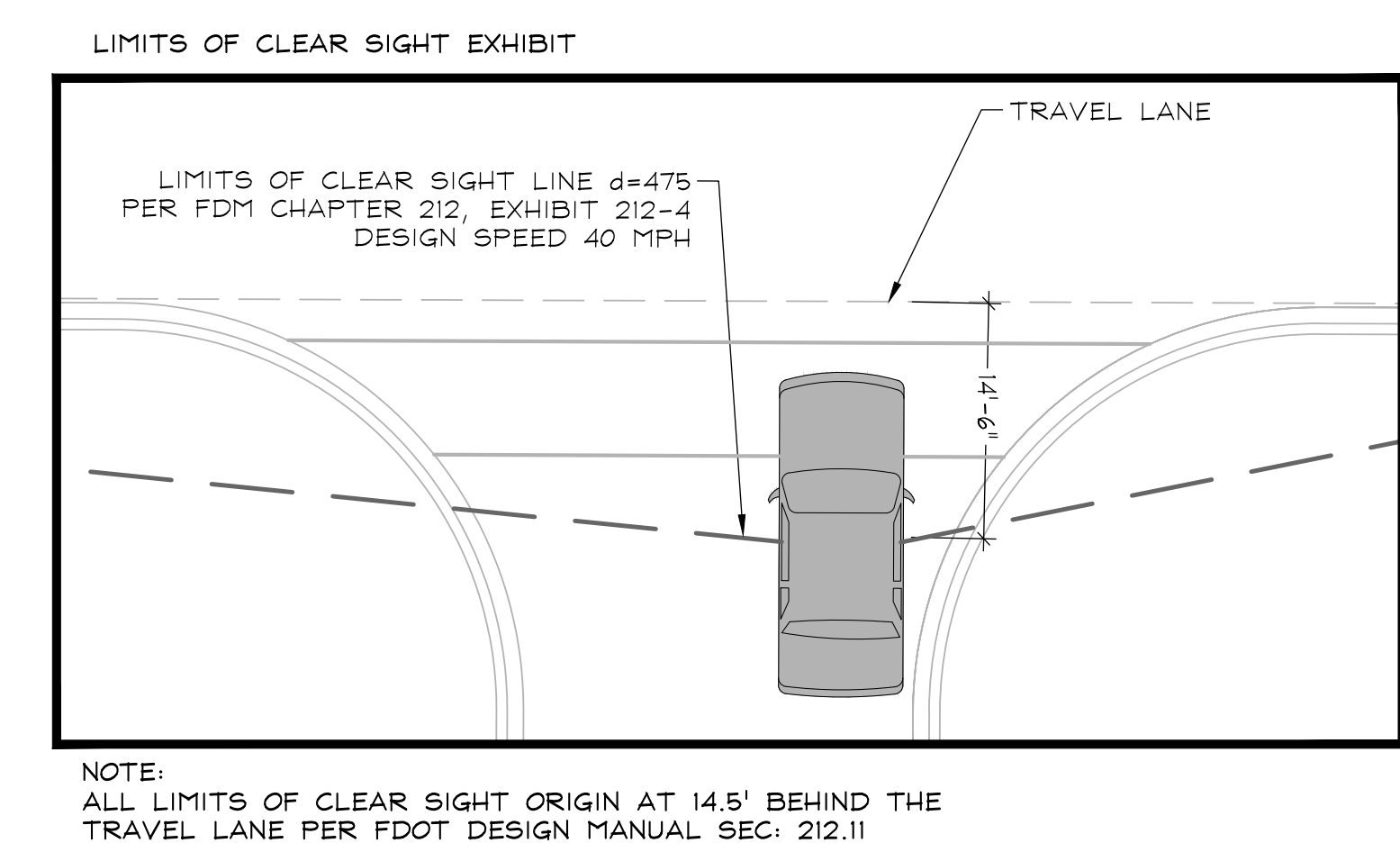
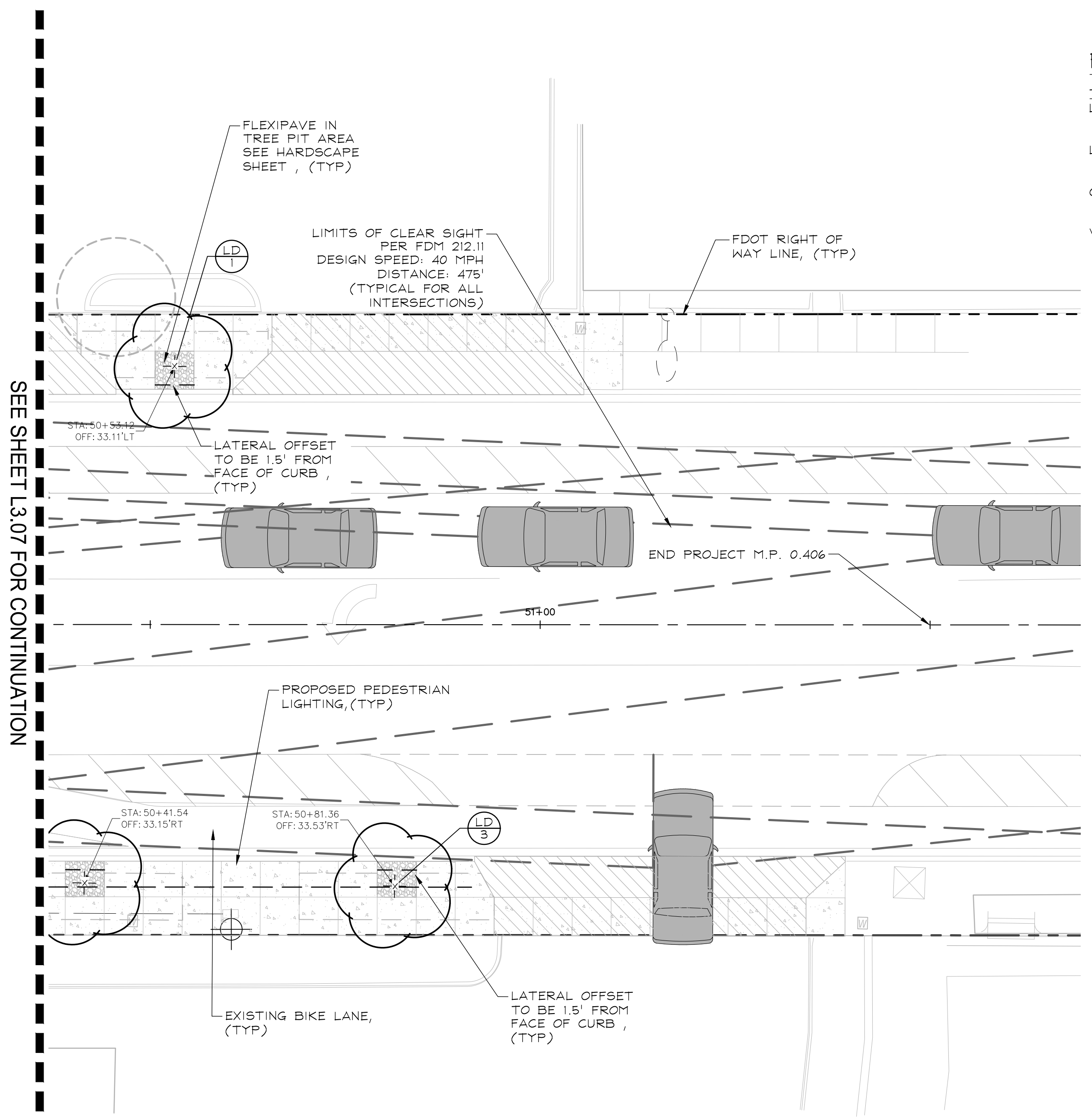
PROJECT # 12557  
 NE 4TH AVENUE STREETSCAPE PROJECT  
 E SUNRISE BLVD TO NE 13TH ST  
 FORT LAUDERDALE, FL  
 LANDSCAPE PLAN  
 SHEET NO.  
**L3.08**

**PLANT SCHEDULE**

TREES	BOTANICAL NAME	COMMON NAME	CONT.	CAL.	SIZE	QTY
LA	Lagerstroemia 'Muskogee' 8' CT, Standard	Muskogee Grape Myrtle	Cont.	4" Cal.	18' HT x 7' SPR	2
LD	Lagerstroemia 'Natchez' 8' CT, Standard	Natchez Grape Myrtle	Cont.	4" Cal.	18' HT x 7' SPR	5
QV	Quercus virginiana 'High Rise' 8' CT	High Rise Live Oak	B & B / CONT.	8" Cal.	22' HT x 10' SPR	6
VA	Veitchia arescens Single Trunk, 10' GW MIN.	Montgomery Palm	F.G.		18' GW	3

**PLANTING NOTES:**

- CONTRACTOR SHALL REFER TO THE FDOT NOTES ON SHEET C0.01 AND ALL CONTRACT DOCUMENTS FOR FURTHER AND COMPLETE INSTRUCTIONS.
- PLANT LIST QUANTITIES ARE PROVIDED FOR CONVENIENCE. IN THE EVENT OF QUANTITY DISCREPANCIES THE DRAWING SHALL TAKE PRECEDENCE. ANY DISCREPANCIES SHALL BE BROUGHT TO THE ATTENTION OF THE LANDSCAPE ARCHITECT PRIOR TO BIDDING.
- PLANT SIZES LISTED ARE THE MINIMUM SIZE THAT WILL BE ACCEPTED FOR THAT PLANT.
- ANY SUBSTITUTION IN SIZE AND/OR PLANT MATERIAL MUST BE APPROVED BY THE LANDSCAPE ARCHITECT IN WRITING. ALL PLANTS WILL BE SUBJECT TO APPROVAL BY LANDSCAPE ARCHITECT AND/OR OWNERS REPRESENTATIVE BEFORE PLANTING CAN BEGIN.
- CONTRACTOR SHALL FIELD ADJUST LOCATION OF PLANT MATERIAL AS NECESSARY TO AVOID DAMAGE TO EXISTING UNDERGROUND UTILITIES AND/OR INTERFERE WITH EXISTING ABOVE GROUND ELEMENTS. ALL CHANGES REQUIRED SHALL BE COMPLETED AT THE CONTRACTOR'S EXPENSE AND SHALL BE COORDINATED WITH THE OWNER'S REPRESENTATIVE AND THE LANDSCAPE ARCHITECT.
- THE CONTRACTOR SHALL BEAR ALL COSTS OF TESTING OF SOILS, AMENDMENTS, ETC. ASSOCIATED WITH THE WORK AND INCLUDED IN THE SPECIFICATIONS.
- CONTRACTOR SHALL FAMILIARIZE HIM/HERSELF WITH THE LIMITS OF WORK AND EXISTING CONDITIONS AND VERIFY ALL INFORMATION. IF DISCREPANCIES EXIST, CONTRACTOR SHALL NOTIFY OWNER'S REPRESENTATIVE IN WRITING WITHIN SEVEN CALENDAR DAYS OF NOTICE TO PROCEED.
- REFER TO DETAIL 1/L2.08 FOR TREE INSTALLATION, AS WELL AS UNDERGROUND BRACING PER FDOT INDEX 580-001.



NOTE: EXISTING SHRUB AND GROUND COVER PLANTINGS LOCATED WITHIN CLEAR SIGHT LIMIT INDICATED TO REMAIN SHALL BE TRIMMED 12" FROM BACK OF CURB AND MAINTAINED HEIGHT NOT TO EXCEED 18". ALL TREES AND PALMS TO BE MAINTAINED WITH 8' OF CLEAR TRUNK.


NOTE: THE FDOT REQUIRES A 14.5' VERTICAL CLEARANCE ABOVE ROADWAYS AND ALSO REQUIRES AN 8.5' VERTICAL CLEARANCE ABOVE WALKWAYS.

NOTE: SECTION 7-1.4: COMPLIANCE WITH FEDERAL ENDANGERED SPECIES ACT AND OTHER WILDLIFE REGULATIONS OF THE FDOT STANDARD SPECIFICATIONS FOR ROAD AND BRIDGE CONSTRUCTION MANUAL SHOULD BE ADHERED TO FOR WILDLIFE INVOLVEMENT DURING CONSTRUCTION.

VERTICAL DATUM  
 ELEVATIONS SHOWN HEREON ARE BASED ON THE NORTH AMERICAN VERTICAL DATUM OF 1988.  
 NAVD '88 ELEV. + 1.565' = NGVD '29 ELEVATION

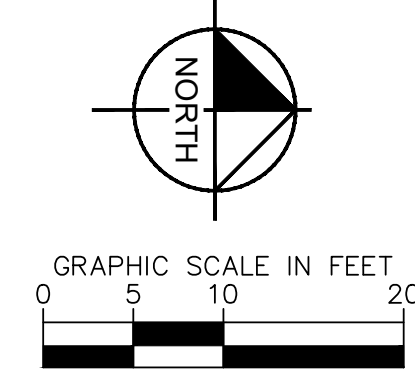
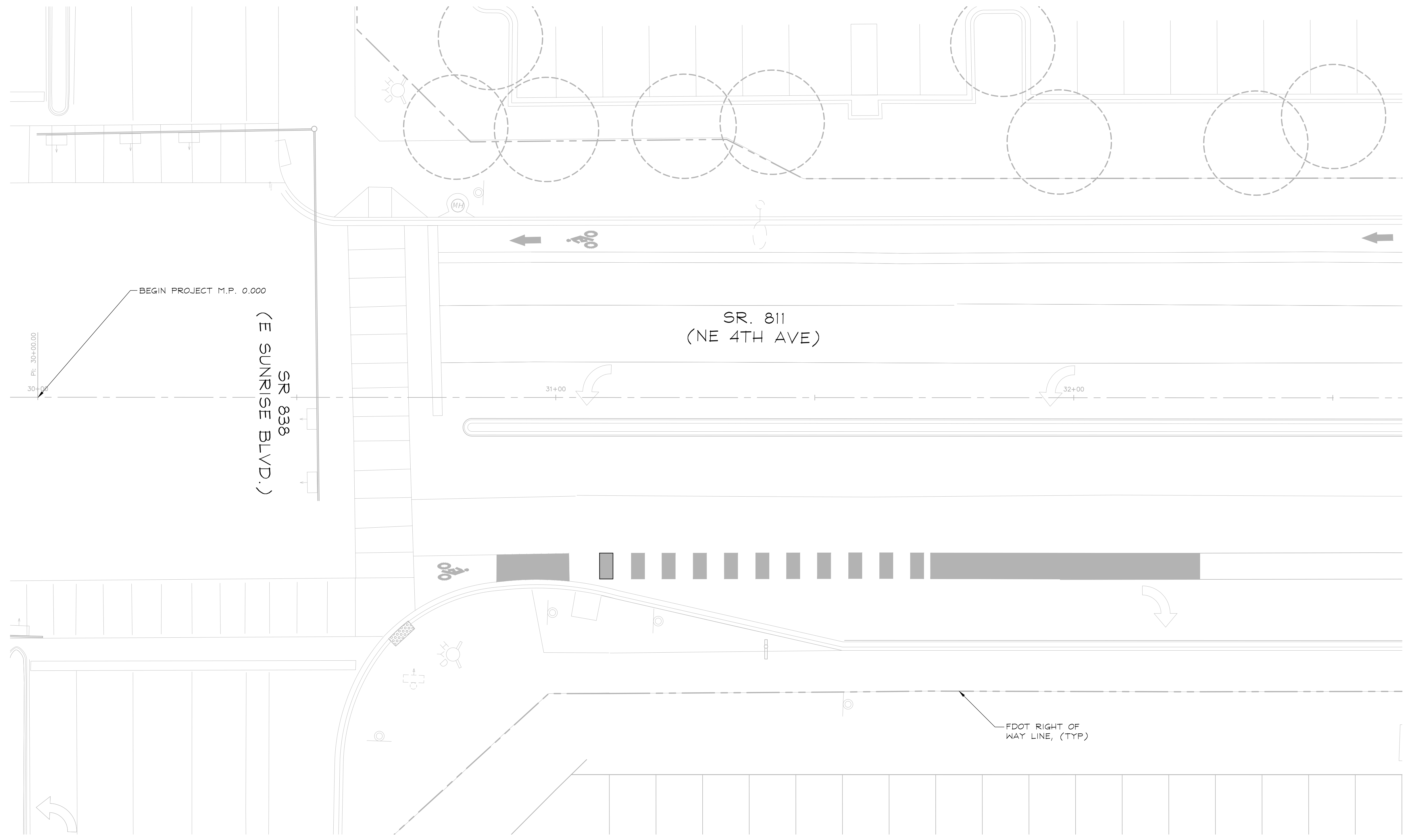
CALL 2 WORKING DAYS BEFORE YOU DIG 

THE PRESENCE OF GROUNDWATER SHOULD BE ANTICIPATED. CONTRACTOR'S BID SHALL INCLUDE CONSIDERATION FOR ADDRESSING THIS ISSUE AND OBTAINING ALL NECESSARY PERMITS.

IT'S THE LAW! DIAL 811  Know what's below. Call before you dig. SUNSHINE STATE ONE CALL OF FLORIDA, INC.

Plotted By: Hargrett, Tom Sheet Set: NE 4th Avenue Layout: L2.08 LANDSCAPE PLAN June 29, 2022 09:13:15am K:\WPB\_LURC\043184061 - NE 4th AVE FTL\CAD\Plansheets\L3.00 LANDSCAPE PLAN.dwg

Plotted By: Hargrett, Tom Sheet Set: NE 4th Avenue Layout: L4.00 IRRIGATION PLAN June 29, 2022 09:13:41am K:\WPB\_JIRO\043184061 - NE 4th AVE FTL\CAD\PlanSheets\L4.00 IRRIGATION PLAN.dwg



SEE SHEET L4.01 FOR CONTINUATION

**Kimley»Horn**

1920 WERKIVA WAY #200  
WEST PALM BEACH, FL 33411  
PHONE: 561-845-0885 FAX:  
561-330-2245  
WWW.KIMLEY-HORN.COM  
REGISTRY 696  
© 2022 KIMLEY-HORN AND  
ASSOCIATES, INC.

DESIGNED BY: JONATHAN D. HAIGH, PLA  
STATE LICENSE NUMBER  
LA #6666795  
06/30/2022

DATE: 07/01/2021  
DRAWN BY: AS SHOWN  
DESIGNED BY: AS SHOWN  
CHECKED BY:  
FIELD BOOK:

CITY OF FORT LAUDERDALE  
TRANSPORTATION  
&  
MOBILITY  
290 NE 3RD AVE., FORT LAUDERDALE, FL 33301

REVISIONS	
NO.	DATE
BY	DESCRIPTION

PROJECT # 12557  
NE 4TH AVENUE STREETSCAPE PROJECT  
E SUNRISE BLVD TO NE 13TH ST  
FORT LAUDERDALE, FL  
IRRIGATION PLAN

SHEET NO.  
**L4.00**

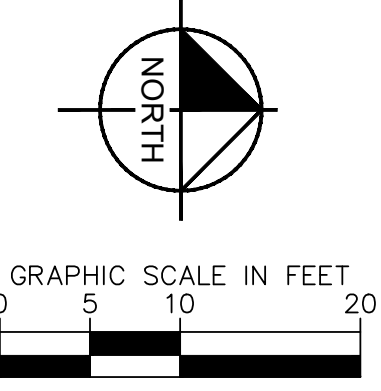
VERTICAL DATUM  
ELEVATIONS SHOWN HEREON ARE BASED ON THE  
NORTH AMERICAN VERTICAL DATUM OF 1988.  
NAVD '88 ELEV. + 1.565' = NGVD '29 ELEVATION

THE PRESENCE OF GROUNDWATER SHOULD BE  
ANTICIPATED. CONTRACTOR'S BID SHALL  
INCLUDE CONSIDERATION FOR ADDRESSING THIS  
ISSUE AND OBTAINING ALL NECESSARY PERMITS.

CALL 2 WORKING DAYS  
BEFORE YOU DIG



IT'S THE LAW!  
DIAL 811  
Know what's below.  
Call before you dig.  
SUNSHINE STATE ONE CALL OF FLORIDA, INC.



**Kimley»Horn**  
1920 WERKVA WAY #200  
WEST PALM BEACH, FL 33411  
PHONE: 561-845-0985 FAX:  
561-530-2245  
WWW.KIMLEY-HORN.COM  
REGISTRY 696  
© 2022 KIMLEY-HORN AND  
ASSOCIATES, INC.

SEAL  
JONATHAN D. HAIGH, PLA  
STATE LICENSE NUMBER  
LA #6666795  
06/30/2022

DRAWN BY: DATE: 07/01/2021  
DESIGNED BY: SCALE: AS SHOWN  
CHECKED BY:  
FIELD BOOK:

CITY OF FORT LAUDERDALE  
TRANSPORTATION  
&  
MOBILITY  
  
290 N.E. 3RD AVE., FORT LAUDERDALE, FL 33301

REVISIONS	
NO.	DATE

PROJECT # 12557  
NE 4TH AVENUE STREETSCAPE PROJECT  
E SUNRISE BLVD TO NE 13TH ST  
FORT LAUDERDALE, FL  
IRRIGATION PLAN

SHEET NO.  
**L4.01**

VERTICAL DATUM  
ELEVATIONS SHOWN HEREON ARE BASED ON THE  
NORTH AMERICAN VERTICAL DATUM OF 1988.  
NAVD '88 ELEV. + 1.565' = NGVD '29 ELEVATION

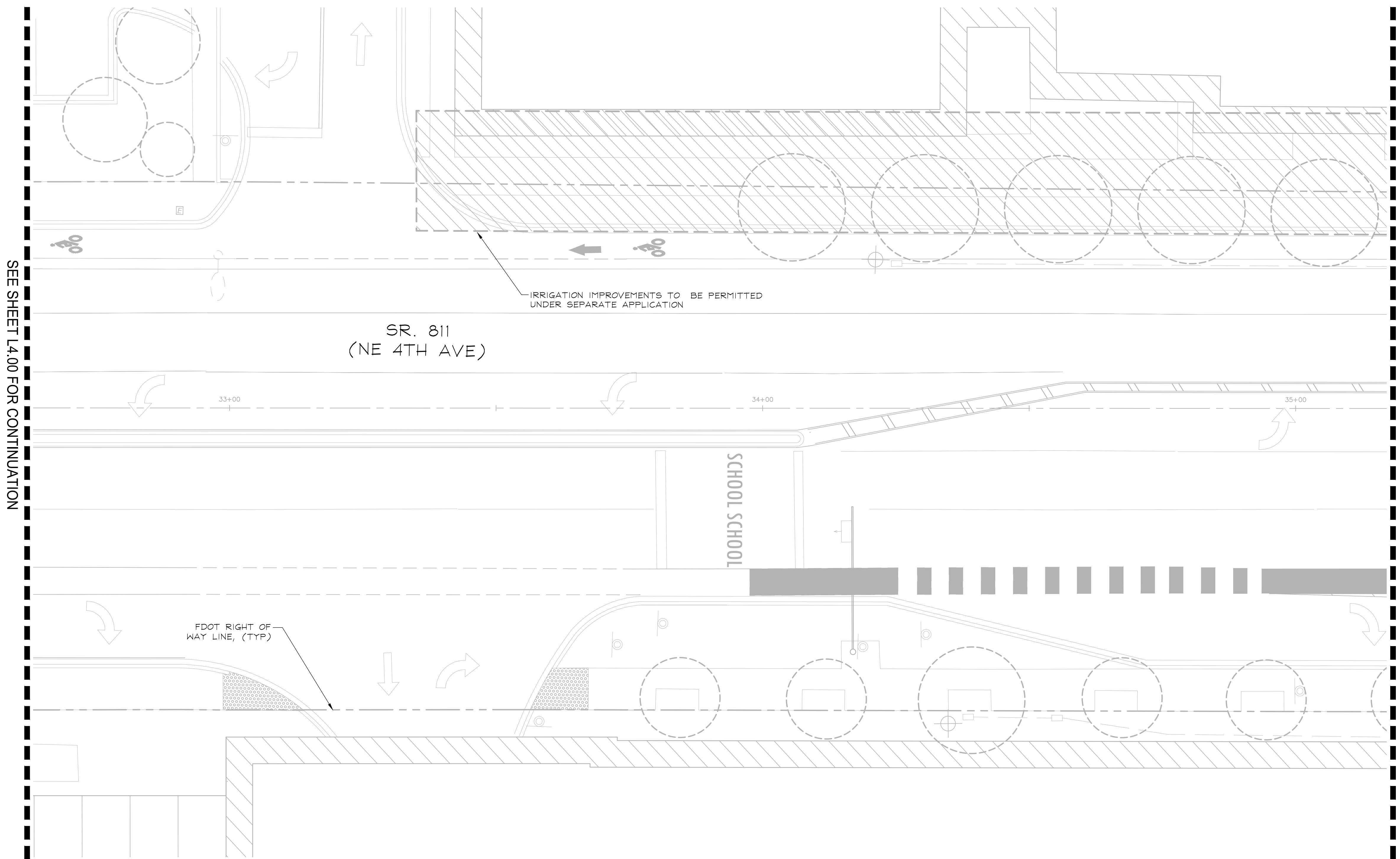
THE PRESENCE OF GROUNDWATER SHOULD BE  
ANTICIPATED. CONTRACTOR'S BID SHALL  
INCLUDE CONSIDERATION FOR ADDRESSING THIS  
ISSUE AND OBTAINING ALL NECESSARY PERMITS.

CALL 2 WORKING DAYS  
BEFORE YOU DIG



IT'S THE LAW!  
DIAL 811  
Know what's below.  
Call before you dig.  
SUNSHINE STATE ONE CALL OF FLORIDA, INC.

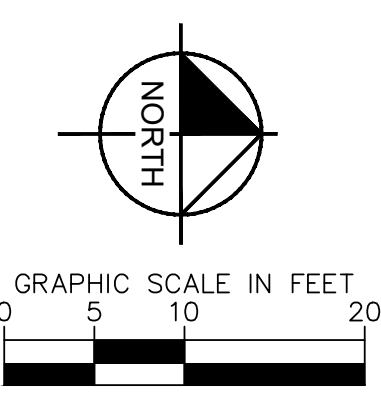
NO PROPOSED IMPROVEMENTS, THIS SHEET



SEE SHEET L4.00 FOR CONTINUATION

SEE SHEET L4.02 FOR CONTINUATION

Plotted By: Hargrett, Tom Sheet Set: NE 4th Avenue Layout: L4.01 IRRIGATION PLAN June 29, 2022 09:13:44am K:\WPB\_LIRC\043184061 - NE 4th AVE FTL\CAD\PlanSheets\L4.00 IRRIGATION PLAN.dwg



**Kimley-Horn**  
 1920 WERKVA WAY #200  
 WEST PALM BEACH, FL 33411  
 PHONE: 561-845-0985 FAX: 561-530-2245  
 WWW.KIMLEY-HORN.COM  
 REGISTRY 696  
 © 2022 KIMLEY-HORN AND ASSOCIATES, INC.

JONATHAN D. HAIGH, PLA  
 STATE LICENSE NUMBER  
 LA #6666795  
 06/30/2022

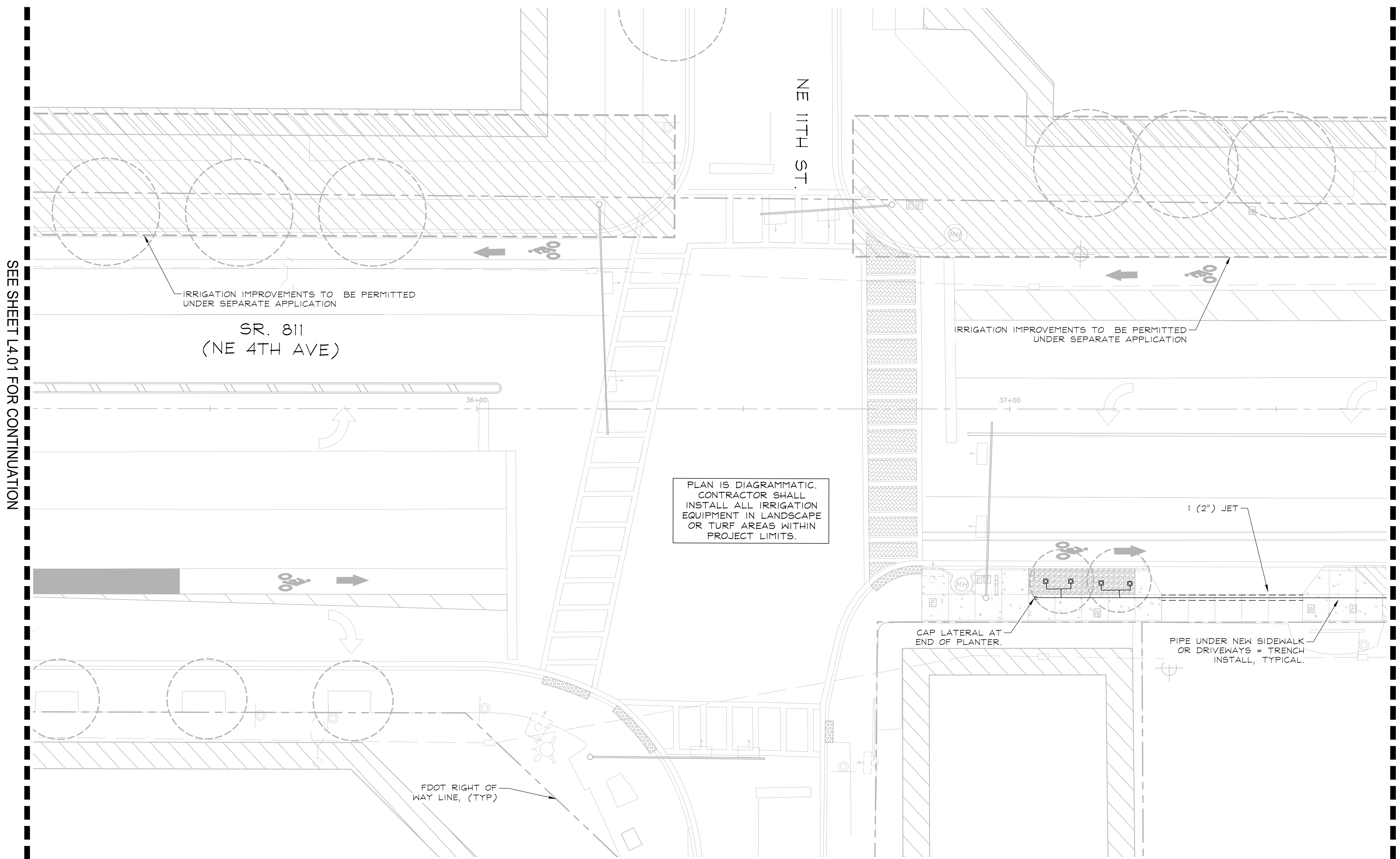
DATE: 07/01/2021  
 DESIGNED BY: SCALE: AS SHOWN  
 CHECKED BY:  
 FIELD BOOK:

CITY OF FORT LAUDERDALE  
 TRANSPORTATION & MOBILITY  
  
 290 NE 3RD AVE., FORT LAUDERDALE, FL 33301

REVISIONS	
NO.	DESCRIPTION

PROJECT # 12557  
 NE 4TH AVENUE STREETSCAPE PROJECT  
 E SUNRISE BLVD TO NE 13TH ST  
 FORT LAUDERDALE, FL  
 IRRIGATION PLAN

SHEET NO.  
**L4.02**



PLAN IS DIAGRAMMATIC. CONTRACTOR SHALL INSTALL ALL IRRIGATION EQUIPMENT IN LANDSCAPE OR TURF AREAS WITHIN PROJECT LIMITS.

**IRRIGATION SCHEDULE**

SYMBOL	MANUFACTURER/MODEL
	Rain Bird RWS-B-C 1401
	Rain Bird PESB
	Backflow Preventer 1"
	Backflow Preventer 1"
	Backflow Preventer 1"
	K-Rain BL-KR1
	Irrigation Lateral Line: PVC Schedule 40
	Irrigation Mainline: PVC Schedule 40
	Pipe Sleeve: See Sleeve Legend

**SLEEVE LEGEND:**

HDD	= HORIZONTAL DIRECTIONAL DRILL (HDPE PIPE)
IR	= REMOVE AND REPLACE SIDEWALK, TRENCH SLEEVES IN PLACE (PVC SCH 40)
JET	= MISSLE BORE OR WATER JET SLEEVE UNDER SIDEWALK (PVC SCH 40)
(X) X" XXX	SLEEVE TYPE (SEE ABOVE)
---	SLEEVE SIZE
---	NUMBER OF SLEEVES

**FDOT IRRIGATION NOTES:**  
 1. REFER TO SHEET C0.01 FOR FDOT IRRIGATION NOTES.

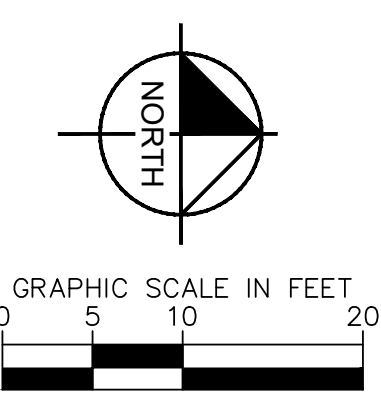
VERTICAL DATUM  
 ELEVATIONS SHOWN HEREON ARE BASED ON THE NORTH AMERICAN VERTICAL DATUM OF 1988.  
 NAVD '88 ELEV. + 1.565' = NGVD '29 ELEVATION

THE PRESENCE OF GROUNDWATER SHOULD BE ANTICIPATED. CONTRACTOR'S BID SHALL INCLUDE CONSIDERATION FOR ADDRESSING THIS ISSUE AND OBTAINING ALL NECESSARY PERMITS.

CALL 2 WORKING DAYS BEFORE YOU DIG

IT'S THE LAW!  
 DIAL 811  
 Know what's below.  
 Call before you dig.  
 SUNSHINE STATE ONE CALL OF FLORIDA, INC.

Plotted By: Hargrett, Tom Sheet Set: NE 4th Avenue Layout: L4.02 IRRIGATION PLAN June 29, 2022 09:13:56am K:\WPB\_LURCO\043184061 - NE 4th AVE FTL\CAD\Plan\Irrigation\Irrigation Plan.dwg



**Kimley»Horn**  
 1920 WERKVA WAY #200  
 WEST PALM BEACH, FL 33411  
 PHONE: 561-845-0985 FAX: 561-530-2245  
 WWW.KIMLEY-HORN.COM  
 REGISTRY 696  
 © 2022 KIMLEY-HORN AND ASSOCIATES, INC.

SEAL  
 JONATHAN D. HAIGH, PLA  
 STATE LICENSE NUMBER  
 LA #6666795  
 06/30/2022

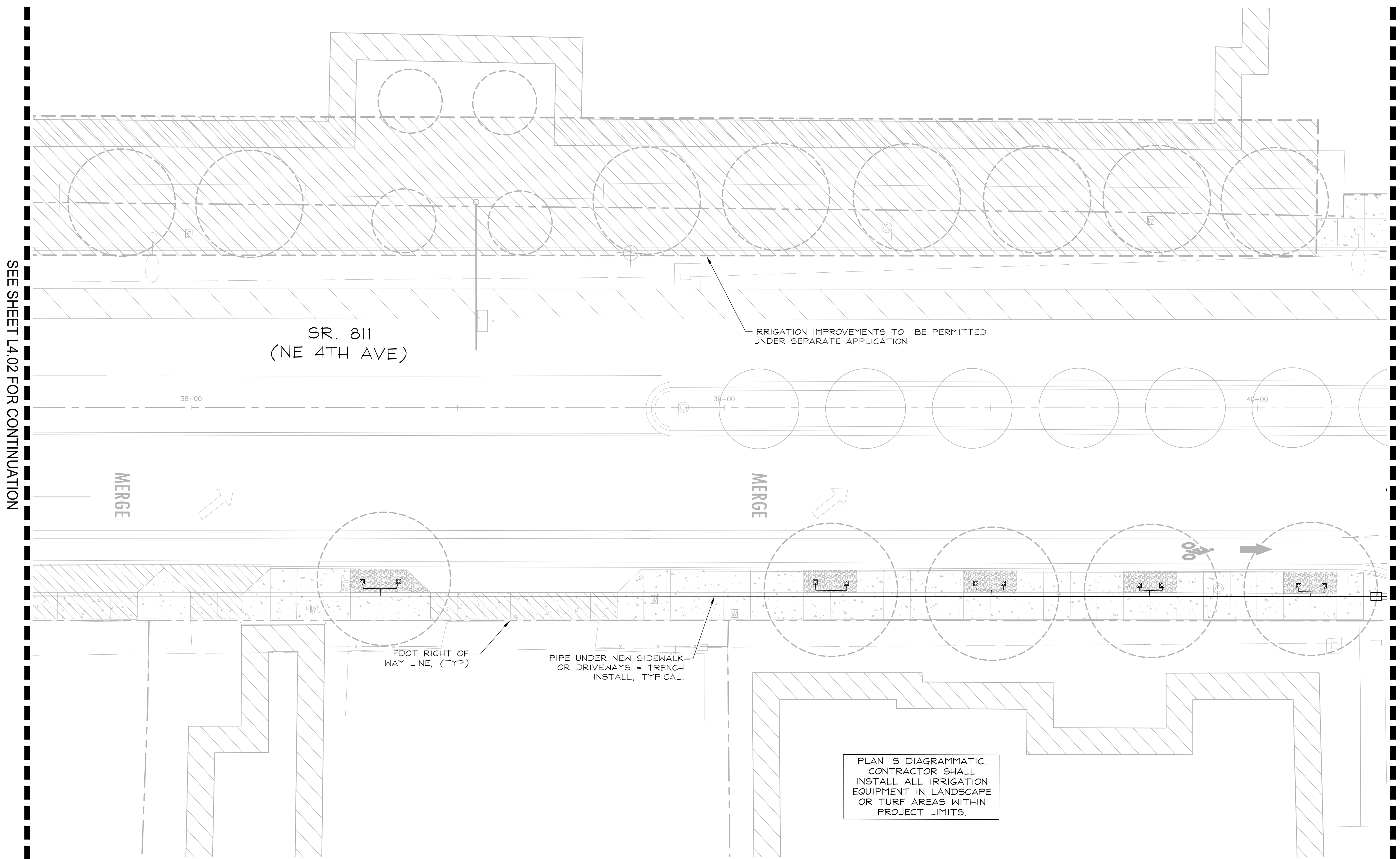
DRAWN BY: DATE: 07/01/2021  
 DESIGNED BY: SCALE: AS SHOWN  
 CHECKED BY: FIELD BOOK:

CITY OF FORT LAUDERDALE  
 TRANSPORTATION & MOBILITY  
  
 290 NE 3RD AVE., FORT LAUDERDALE, FL 33301

NO.	DATE	BY	CHKD	DESCRIPTION

PROJECT # 12557  
 NE 4TH AVENUE STREETSCAPE PROJECT  
 E SUNRISE BLVD TO NE 13TH ST  
 FORT LAUDERDALE, FL  
 IRRIGATION PLAN

SHEET NO.  
**L4.03**



**IRRIGATION SCHEDULE**

SYMBOL	MANUFACTURER/MODEL
	Rain Bird RWS-B-C 1401
	Rain Bird PESB
	Backflow Preventer 1"
	Backflow Preventer 1"
	Backflow Preventer 1"
	K-Rain BL-KR1
	Irrigation Lateral Line: PVC Schedule 40
	Irrigation Mainline: PVC Schedule 40
	Pipe Sleeve: See Sleeve Legend

**SLEEVE LEGEND:**

HDD	= HORIZONTAL DIRECTIONAL DRILL (HDPE PIPE)
IR	= REMOVE AND REPLACE SIDEWALK, TRENCH SLEEVES IN PLACE (PVC SCH 40)
JET	= MISSLE BORE OR WATER JET SLEEVE UNDER SIDEWALK (PVC SCH 40)
(X) X" XXX	SLEEVE TYPE (SEE ABOVE)
---	SLEEVE SIZE
---	NUMBER OF SLEEVES

**FDOT IRRIGATION NOTES:**  
 1. REFER TO SHEET C0.01 FOR FDOT IRRIGATION NOTES.

PLAN IS DIAGRAMMATIC. CONTRACTOR SHALL INSTALL ALL IRRIGATION EQUIPMENT IN LANDSCAPE OR TURF AREAS WITHIN PROJECT LIMITS.

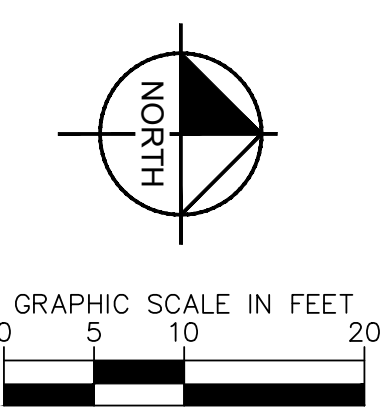
VERTICAL DATUM  
 ELEVATIONS SHOWN HEREON ARE BASED ON THE NORTH AMERICAN VERTICAL DATUM OF 1988.  
 NAVD '88 ELEV. + 1.565' = NGVD '29 ELEVATION

THE PRESENCE OF GROUNDWATER SHOULD BE ANTICIPATED. CONTRACTOR'S BID SHALL INCLUDE CONSIDERATION FOR ADDRESSING THIS ISSUE AND OBTAINING ALL NECESSARY PERMITS.

CALL 2 WORKING DAYS BEFORE YOU DIG

IT'S THE LAW!  
 DIAL 811  
 Know what's below.  
 Call before you dig.  
 SUNSHINE STATE ONE CALL OF FLORIDA, INC.

Plotted By: Hargrett, Tom Sheet Set: NE 4th Avenue Layout: L4.03 IRRIGATION PLAN June 29, 2022 09:14:06am K:\WPB\_LURCO\043184061 - NE 4th Ave FTL\CAD\Plan\Irrigation\Irrigation Plan.dwg



**Kimley»Horn**  
 1920 WERKVA WAY #200  
 WEST PALM BEACH, FL 33411  
 PHONE: 561-845-0985 FAX: 561-530-2245  
 WWW.KIMLEY-HORN.COM  
 REGISTRY 696  
 © 2022 KIMLEY-HORN AND ASSOCIATES, INC.

SEAL  
 JONATHAN D. HAIGH, PLA  
 STATE LICENSE NUMBER  
 LA #6666795  
 06/30/2022

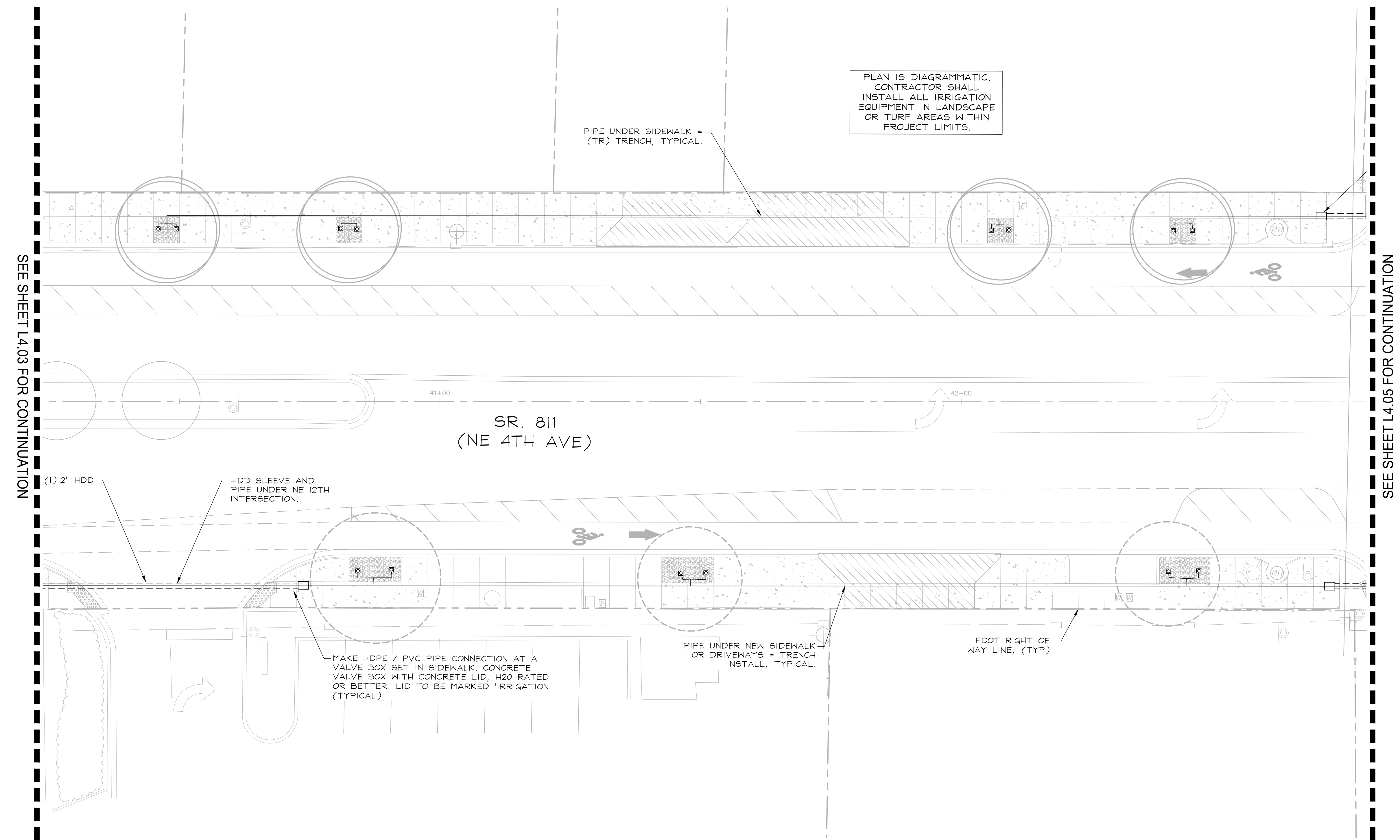
DRAWN BY: DATE: 07/01/2021  
 DESIGNED BY: SCALE: AS SHOWN  
 CHECKED BY:  
 FIELD BOOK:

CITY OF FORT LAUDERDALE  
 TRANSPORTATION  
 &  
 MOBILITY  
  
 290 NE 3RD AVE., FORT LAUDERDALE, FL 33301

REVISIONS		DESCRIPTION
NO.	DATE	BY

PROJECT # 12557  
 NE 4TH AVENUE STREETSCAPE PROJECT  
 E SUNRISE BLVD TO NE 13TH ST  
 FORT LAUDERDALE, FL  
 IRRIGATION PLAN

SHEET NO.  
**L4.04**



PLAN IS DIAGRAMMATIC.  
 CONTRACTOR SHALL  
 INSTALL ALL IRRIGATION  
 EQUIPMENT IN LANDSCAPE  
 OR TURF AREAS WITHIN  
 PROJECT LIMITS.

PIPE UNDER SIDEWALK =  
 (TR) TRENCH, TYPICAL.

SEE SHEET L4.03 FOR CONTINUATION

SEE SHEET L4.05 FOR CONTINUATION

SR. 811  
 (NE 4TH AVE)

(1) 2" HDD  
 HDD SLEEVE AND  
 PIPE UNDER NE 12TH  
 INTERSECTION.

MAKE HDPE / PVC PIPE CONNECTION AT A  
 VALVE BOX SET IN SIDEWALK. CONCRETE  
 VALVE BOX WITH CONCRETE LID, H20 RATED  
 OR BETTER. LID TO BE MARKED 'IRRIGATION'  
 (TYPICAL)

PIPE UNDER NEW SIDEWALK  
 OR DRIVEWAYS = TRENCH  
 INSTALL, TYPICAL.

FDOT RIGHT OF  
 WAY LINE, (TYP)

**IRRIGATION SCHEDULE**

SYMBOL	MANUFACTURER/MODEL
	Rain Bird RWS-B-C 1401
	Rain Bird PESB
	Backflow Preventer 1"
	Backflow Preventer 1"
	Backflow Preventer 1"
	K-Rain BL-KR1
	Irrigation Lateral Line: PVC Schedule 40
	Irrigation Mainline: PVC Schedule 40
	Pipe Sleeve: See Sleeve Legend

**SLEEVE LEGEND:**

HDD = HORIZONTAL DIRECTIONAL DRILL (HDPE PIPE)  
 TR = REMOVE AND REPLACE SIDEWALK, TRENCH  
 SLEEVES IN PLACE (PVC SCH 40)  
 JET = MISSLE BORE OR WATER JET SLEEVE UNDER  
 SIDEWALK (PVC SCH 40)

(X) X" XXX  
 SLEEVE TYPE (SEE ABOVE)  
 SLEEVE SIZE  
 NUMBER OF SLEEVES

**FDOT IRRIGATION NOTES:**  
 1. REFER TO SHEET C0.01 FOR FDOT  
 IRRIGATION NOTES.

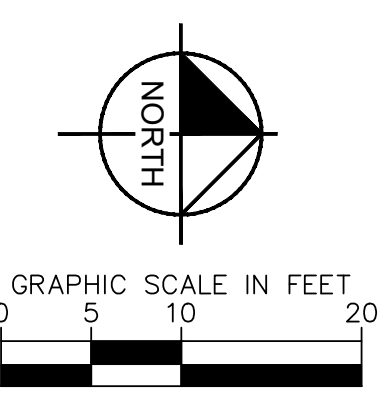
VERTICAL DATUM  
 ELEVATIONS SHOWN HEREON ARE BASED ON THE  
 NORTH AMERICAN VERTICAL DATUM OF 1988.  
 NAVD '88 ELEV. + 1.565' = NGVD '29 ELEVATION

CALL 2 WORKING DAYS  
 BEFORE YOU DIG

THE PRESENCE OF GROUNDWATER SHOULD BE  
 ANTICIPATED. CONTRACTOR'S BID SHALL  
 INCLUDE CONSIDERATION FOR ADDRESSING THIS  
 ISSUE AND OBTAINING ALL NECESSARY PERMITS.

IT'S THE LAW!  
 DIAL 811  
 Know what's below.  
 Call before you dig.  
 SUNSHINE STATE ONE CALL OF FLORIDA, INC.





**Kimley»Horn**  
 1920 WERKVA WAY #200  
 WEST PALM BEACH, FL 33411  
 PHONE: 888-845-0885 FAX: 561-530-2245  
 WWW.KIMLEY-HORN.COM  
 REGISTRY 696  
 © 2022 KIMLEY-HORN AND ASSOCIATES, INC.

SEAL  
 JONATHAN D. HAIGH, PLA  
 STATE LICENSE NUMBER  
 LA #6666795  
 06/30/2022

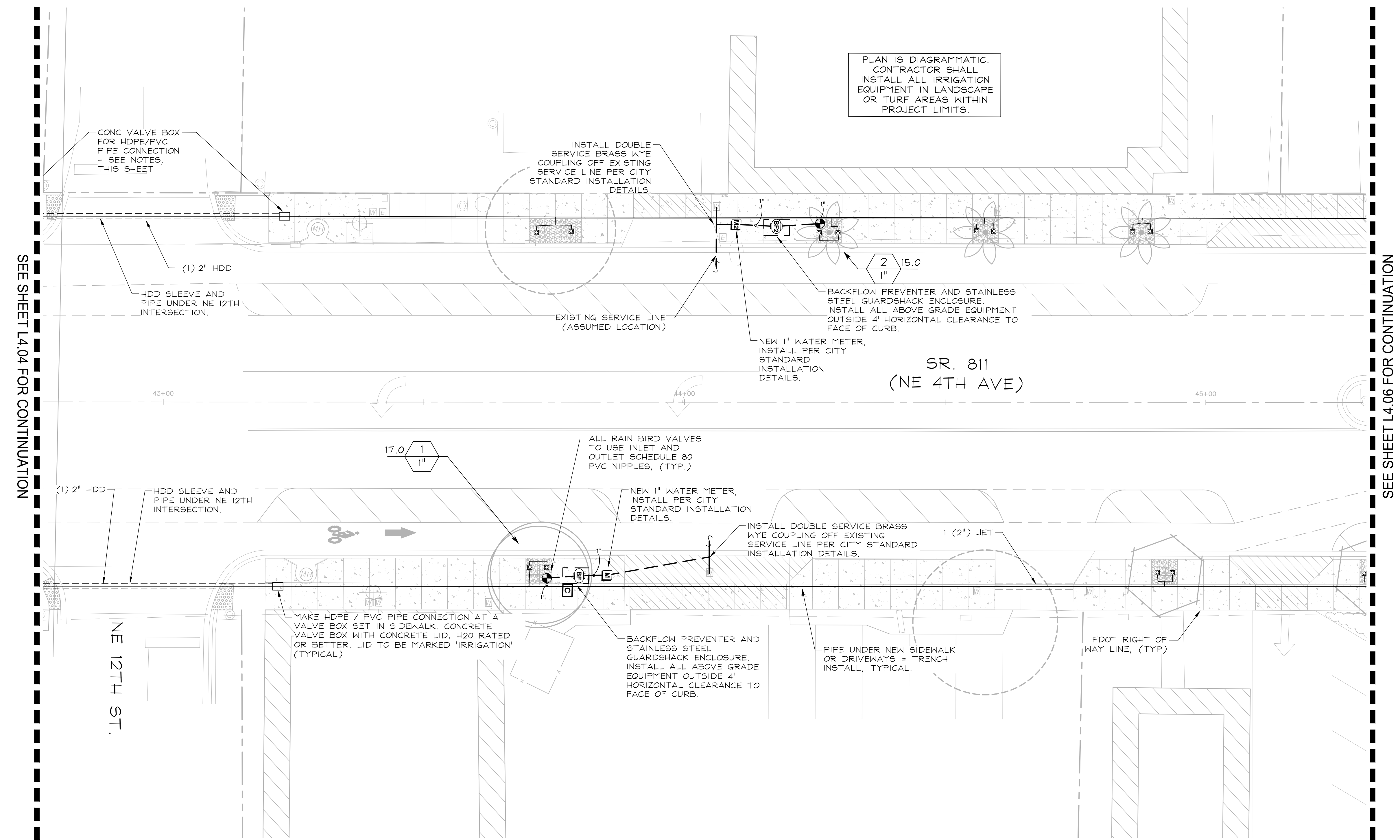
DATE: 07/01/2021  
 DESIGNED BY: SCALE: AS SHOWN  
 CHECKED BY:  
 FIELD BOOK:

CITY OF FORT LAUDERDALE  
 TRANSPORTATION  
 &  
 MOBILITY  
  
 290 NE 3RD AVE., FORT LAUDERDALE, FL 33301

NO.	DATE	BY	DESCRIPTION

PROJECT # 12557  
 NE 4TH AVENUE STREETSCAPE PROJECT  
 E SUNRISE BLVD TO NE 13TH ST  
 FORT LAUDERDALE, FL  
 IRRIGATION PLAN

SHEET NO.  
**L4.05**



PLAN IS DIAGRAMMATIC.  
 CONTRACTOR SHALL  
 INSTALL ALL IRRIGATION  
 EQUIPMENT IN LANDSCAPE  
 OR TURF AREAS WITHIN  
 PROJECT LIMITS.

SEE SHEET L4.04 FOR CONTINUATION

SEE SHEET L4.06 FOR CONTINUATION

**IRRIGATION SCHEDULE**

SYMBOL	MANUFACTURER/MODEL
	Rain Bird RWS-B-C 1401
	Rain Bird PESB
	Backflow Preventer 1"
	Backflow Preventer 1"
	Backflow Preventer 1"
	K-Rain BL-KR1
	Irrigation Lateral Line: PVC Schedule 40
	Irrigation Mainline: PVC Schedule 40
	Pipe Sleeve: See Sleeve Legend

**SLEEVE LEGEND:**

HDD = HORIZONTAL DIRECTIONAL DRILL (HDPE PIPE)  
 IR = REMOVE AND REPLACE SIDEWALK, TRENCH SLEEVES IN PLACE (PVC SCH 40)  
 JET = MISSLE BORE OR WATER JET SLEEVE UNDER SIDEWALK (PVC SCH 40)

(X) X" XXX  
 SLEEVE TYPE (SEE ABOVE)  
 SLEEVE SIZE  
 NUMBER OF SLEEVES

**FDOT IRRIGATION NOTES:**  
 1. REFER TO SHEET C0.01 FOR FDOT IRRIGATION NOTES.

VERTICAL DATUM  
 ELEVATIONS SHOWN HEREON ARE BASED ON THE  
 NORTH AMERICAN VERTICAL DATUM OF 1988.  
 NAVD '88 ELEV. + 1.565' = NGVD '29 ELEVATION

THE PRESENCE OF GROUNDWATER SHOULD BE  
 ANTICIPATED. CONTRACTOR'S BID SHALL  
 INCLUDE CONSIDERATION FOR ADDRESSING THIS  
 ISSUE AND OBTAINING ALL NECESSARY PERMITS.

CALL 2 WORKING DAYS  
 BEFORE YOU DIG

IT'S THE LAW!  
 DIAL 811  
 Know what's below.  
 Call before you dig.  
 SUNSHINE STATE ONE CALL OF FLORIDA, INC.