



Event # 266-5

Name: Annual Asphalt Mill and Resurfacing

Description: The City of Fort Lauderdale, Florida (City) is seeking bids from qualified bidders, hereinafter referred to as the Contractor, to provide construction services for the City's Public Works Department.

This project is located Citywide, in the City of Fort Lauderdale. The work to be accomplished under this contract includes, but is not limited to, installation of an estimated 100,000 square yards of Type S-3 asphalt, 3000 square yards of FDOT Superpave 9.5 asphalt, 20 ADA access ramps, thermoplastic pavement marking, milling and leveling of existing asphalt pavement, and other items quantified in the proposal pages of this contract.

Drawing Plans: There are no drawing plans for this Project.

Licensing Requirements: Possession of a General Contractor's License issued by the State of Florida.

Buyer: HEMMINGS TURNER, PAULETTE

Status: Pending Award

Event Type: IFB

Currency: USD

Sealed Bid: Yes

Respond To All Lines: Yes

Q & A Allowed: Yes

Number Of Amendments: 5

Display Bid Tabulation: Display When Event Closed For Bidding Or Canceled

Event Dates

Preview:

Q & A Open: 04/03/2024 04:00:00 PM

Open: 04/03/2024 04:00:00 PM

Q & A Close: 04/26/2024 05:00:00 PM

Close: 05/16/2024 02:00:00 PM

Dispute Close:

Questions

Question	Response Type	Attachment
Did you complete and attach the required forms?	Yes No	Event 266 Required Forms.pdf

Attachments

Event # 266-5: Annual Asphalt Mill and Resurfacing

Name	Description	Attachment
Event 266 Annual Mill and Resurfacing Solicitation	Event 266 Annual Mill and Resurfacing Solicitation	Event 266 Annual Asphalt & Mill Specification.pdf
Event 266 - Bid Line Items	Event 266 - Bid Line Items	Event 266 Line Items.pdf
Addendum 1	Addendum 1 to correct lines, 1, 8 & 36	Addendum 1.pdf
Event 266 Bid Line Items - Updated	Event 266 Bid Line Items - Updated	Event 266 Bid Line Items - Updated.pdf
Addendum 2	Addendum 2	Addendum 2.pdf

Contacts

Name	Email Address
PAULETTE HEMMING TURNER	pturner@fortlauderdale.gov

Commodity Codes

Commodity Code	Description
210-55	Paving and Stepping Blocks
906-38	General Construction - Architectural
913-95	Paving/Resurfacing, Highway and Road
913-96	Paving/Resurfacing, Street (Major and Residential)

Line Details

Line 1: Mobilization, Transportation, Demobilization, Project signag

Description: Mobilization, Transportation, Demobilization, Project signage.

4/30/2023

Mobilization UOM changed from LS to EA

Item: MOBILIZATION Mobilization, Transportation, Demobilization, Project signag

Event # 266-5: Annual Asphalt Mill and Resurfacing

Commodity Code: 906-38 General Construction - Architectural

Quantity: 10.0000 **Unit of Measure:** EA

Requested Delivery Date: 12/26/2027

Require Response: Yes **Price Breaks Allowed:** No **Allow Alternate Responses:** No

Add On Charges Allowed: No

Line 2: Furnish all materials and equipment to install Florida Depar

Description: Furnish all materials and equipment to install Florida Depar

Item: PAVING (> 3000 SQ. YDS.) Furnish all materials and equipment to install Florida Depar

Commodity Code: 906-38 General Construction - Architectural

Quantity: 87,000.0000 **Unit of Measure:** SY

Requested Delivery Date: 12/26/2027

Require Response: Yes **Price Breaks Allowed:** No **Allow Alternate Responses:** No

Add On Charges Allowed: No

Line 3: Furnish all materials and equipment to install Florida Depar

Description: Furnish all materials and equipment to install Florida Depar

Item: PAVING (< 3000 SQ. YDS.) Furnish all materials and equipment to install Florida Depar

Commodity Code: 906-38 General Construction - Architectural

Quantity: 2,500.0000 **Unit of Measure:** SY

Requested Delivery Date: 12/26/2027

Event # 266-5: Annual Asphalt Mill and Resurfacing

Date:

Require Response: Yes

Price Breaks Allowed: No

Allow Alternate Responses: No

Add On Charges Allowed: No

Line 4: Furnish all materials and equipment to install Type S-3 asp

Description: Furnish all materials and equipment to install Type S-3 asp

Item: PAVING (TYPE S-3) Furnish all materials and equipment to install Type S-3 asp

Commodity Code: 906-38 General Construction - Architectural

Quantity: 50.0000 **Unit of Measure:** TN

Requested Delivery Date: 12/26/2027

Require Response: Yes

Price Breaks Allowed: No

Allow Alternate Responses: No

Add On Charges Allowed: No

Line 5: Furnish all materials and equipment to install Florida Depar

Description: Furnish all materials and equipment to install Florida Depar

Item: PAVING (SP 9.5) Furnish all materials and equipment to install Florida Depar

Commodity Code: 906-38 General Construction - Architectural

Quantity: 200.0000 **Unit of Measure:** TN

Requested Delivery Date: 12/26/2027

Require Response: Yes

Price Breaks Allowed: No

Allow Alternate Responses: No

Add On Charges Allowed: No

Event # 266-5: Annual Asphalt Mill and Resurfacing

Line 6: Furnish all materials and equipment to install Florida Depar

Description: Furnish all materials and equipment to install Florida Depar

Item: PAVING (SP12.5) Furnish all materials and equipment to install Florida Depar

Commodity Code: 906-38 General Construction - Architectural

Quantity: 200.0000 **Unit of Measure:** TN

Requested Delivery Date: 12/26/2027

Require Response: Yes

Price Breaks Allowed: No

Allow Alternate Responses: No

Add On Charges Allowed: No

Line 7: Furnish all materials labor and equipment to stamp and paint

Description: Furnish all materials labor and equipment to stamp and paint

Item: PAVING- STREETS (COLORED ASPHALT Furnish all materials labor and equipment to stamp and paint

Commodity Code: 906-38 General Construction - Architectural

Quantity: 100.0000 **Unit of Measure:** SY

Requested Delivery Date: 12/26/2027

Require Response: Yes

Price Breaks Allowed: No

Allow Alternate Responses: No

Add On Charges Allowed: No

Line 8: Furnish all materials labor and equipment to stamp and paint

Description: Furnish all materials labor and equipment to stamp and paint.

Event # 266-5: Annual Asphalt Mill and Resurfacing

Added 4/30/2024.

Duplicated with line 7. - No costing required

Item: PAVING (COLORED ASPHALT- STAMPED) Furnish all materials labor and equipment to stamp and paint

Commodity Code: 906-38 General Construction - Architectural

Quantity: 100.0000 **Unit of Measure:** SY

Requested Delivery Date: 12/26/2027

Require Response: Yes **Price Breaks Allowed:** No **Allow Alternate Responses:** No

Add On Charges Allowed: No

Line 9: Furnish all materials, labor and equipment to apply tack coa

Description: Furnish all materials, labor and equipment to apply tack coa

Item: TACK COAT Furnish all materials, labor and equipment to apply tack coa

Commodity Code: 906-38 General Construction - Architectural

Quantity: 7,000.0000 **Unit of Measure:** GA

Requested Delivery Date: 12/26/2027

Require Response: Yes **Price Breaks Allowed:** No **Allow Alternate Responses:** No

Add On Charges Allowed: No

Line 10: Furnish all materials, labor and equipment to apply prime co

Description: Furnish all materials, labor and equipment to apply prime co

Item: PRIME COAT Furnish all materials, labor and equipment to apply prime co

Event # 266-5: Annual Asphalt Mill and Resurfacing

Commodity Code: 906-38 General Construction - Architectural

Quantity: 200.0000 **Unit of Measure:** GA

Requested Delivery Date: 12/26/2027

Require Response: Yes **Price Breaks Allowed:** No **Allow Alternate Responses:** No

Add On Charges Allowed: No

Line 11: Furnish all materials, labor and equipment to mill and dispo

Description: Furnish all materials, labor and equipment to mill and dispo

Item: MILLING (1-INCH) Furnish all materials, labor and equipment to mill and dispo

Commodity Code: 906-38 General Construction - Architectural

Quantity: 87,000.0000 **Unit of Measure:** SY

Requested Delivery Date: 12/26/2027

Require Response: Yes **Price Breaks Allowed:** No **Allow Alternate Responses:** No

Add On Charges Allowed: No

Line 12: Furnish all materials, labor and equipment to mill and dispo

Description: Furnish all materials, labor and equipment to mill and dispo

Item: MILLING (2-INCH) Furnish all materials, labor and equipment to mill and dispo

Commodity Code: 906-38 General Construction - Architectural

Quantity: 2,000.0000 **Unit of Measure:** SY

Requested Delivery Date: 12/26/2027

Event # 266-5: Annual Asphalt Mill and Resurfacing

Date:

Require Response: Yes

Price Breaks Allowed: No

Allow Alternate Responses: No

Add On Charges Allowed: No

Line 13: Furnish all materials, labor and equipment to install new 6

Description: Furnish all materials, labor and equipment to install new 6

Item: PAVEMENT MARKING AND SIGNAGE (6 Furnish all materials, labor and equipment to install new 6

Commodity Code: 906-38 General Construction - Architectural

Quantity: 4,500.0000 **Unit of Measure:** LF

Requested Delivery Date: 12/26/2027

Require Response: Yes

Price Breaks Allowed: No

Allow Alternate Responses: No

Add On Charges Allowed: No

Line 14: Furnish all materials, labor and equipment to install new 6

Description: Furnish all materials, labor and equipment to install new 6

Item: PAVEMENT MARKING AND SIGNAGE (6- Furnish all materials, labor and equipment to install new 6

Commodity Code: 906-38 General Construction - Architectural

Quantity: 500.0000 **Unit of Measure:** LF

Requested Delivery Date: 01/31/2620

Require Response: Yes

Price Breaks Allowed: No

Allow Alternate Responses: No

Add On Charges Allowed: No

Event # 266-5: Annual Asphalt Mill and Resurfacing

Line 15: Furnish all materials, labor and equipment to install new 6

Description: Furnish all materials, labor and equipment to install new 6

Item: PAVEMENT MARKING AND SIGNAGE (6- Furnish all materials, labor and equipment to install new 6

Commodity Code: 906-38 General Construction - Architectural

Quantity: 5,000.0000 **Unit of Measure:** LF

Requested Delivery Date: 12/26/2027

Require Response: Yes

Price Breaks Allowed: No

Allow Alternate Responses: No

Add On Charges Allowed: No

Line 16: Furnish all materials, labor and equipment to install new 8

Description: Furnish all materials, labor and equipment to install new 8

Item: PAVEMENT MARKING AND SIGNAGE (8- Furnish all materials, labor and equipment to install new 8

Commodity Code: 906-38 General Construction - Architectural

Quantity: 500.0000 **Unit of Measure:** LF

Requested Delivery Date: 12/26/2027

Require Response: Yes

Price Breaks Allowed: No

Allow Alternate Responses: No

Add On Charges Allowed: No

Line 17: Furnish all materials, labor and equipment to install new 12

Description: Furnish all materials, labor and equipment to install new 12

Event # 266-5: Annual Asphalt Mill and Resurfacing

Item: PAVEMENT MARKING AND SIGNAGE (12 Furnish all materials, labor and equipment to install new 12

Commodity Code: 906-38 General Construction - Architectural

Quantity: 500.0000 **Unit of Measure:** LF

Requested Delivery Date: 09/26/2027

Require Response: Yes **Price Breaks Allowed:** No **Allow Alternate Responses:** No

Add On Charges Allowed: No

Line 18: Furnish all materials, labor and equipment to install new 18

Description: Furnish all materials, labor and equipment to install new 18

Item: PAVEMENT MARKING AND SIGNAGE (18 Furnish all materials, labor and equipment to install new 18

Commodity Code: 906-38 General Construction - Architectural

Quantity: 500.0000 **Unit of Measure:** LF

Requested Delivery Date: 12/26/2027

Require Response: Yes **Price Breaks Allowed:** No **Allow Alternate Responses:** No

Add On Charges Allowed: No

Line 19: Furnish all materials, labor and equipment to install new 24

Description: Furnish all materials, labor and equipment to install new 24

Item: PAVEMENT MARKING AND SIGNAGE (24 Furnish all materials, labor and equipment to install new 24

Commodity Code: 906-38 General Construction - Architectural

Quantity: 1,500.0000 **Unit of Measure:** LF

Event # 266-5: Annual Asphalt Mill and Resurfacing

Requested Delivery Date: 12/26/2027

Require Response: Yes

Price Breaks Allowed: No

Allow Alternate Responses: No

Add On Charges Allowed: No

Line 20: Furnish all materials, labor and equipment to install new 6

Description: Furnish all materials, labor and equipment to install new 6

Item: PAVEMENT MARKING AND SIGNAGE (6- Furnish all materials, labor and equipment to install new 6

Commodity Code: 906-38 General Construction - Architectural

Quantity: 2,000.0000 **Unit of Measure:** LF

Requested Delivery Date: 12/26/2027

Require Response: Yes

Price Breaks Allowed: No

Allow Alternate Responses: No

Add On Charges Allowed: No

Line 21: Furnish all materials, labor and equipment to install new 24

Description: Furnish all materials, labor and equipment to install new 24

Item: PAVEMENT MARKING AND SIGNAGE (24 Furnish all materials, labor and equipment to install new 24

Commodity Code: 906-38 General Construction - Architectural

Quantity: 500.0000 **Unit of Measure:** LF

Requested Delivery Date: 12/26/2027

Require Response: Yes

Price Breaks Allowed: No

Allow Alternate Responses: No

Add On No

Event # 266-5: Annual Asphalt Mill and Resurfacing

**Charges
Allowed:**

Line 22: Furnish all materials, labor, and equipment to apply 6-foot

Description: Furnish all materials, labor, and equipment to apply 6-foot

Item: PAVEMENT MARKING AND SIGNAGE (AR) Furnish all materials, labor, and equipment to apply 6-foot

Commodity Code: 906-38 General Construction - Architectural

Quantity: 50.0000 **Unit of Measure:** EA

Requested Delivery Date: 12/26/2027

Require Response: Yes

Price Breaks Allowed: No

Allow Alternate Responses: No

Add On Charges Allowed: No

Line 23: Furnish all materials, labor and equipment to install variou

Description: Furnish all materials, labor and equipment to install variou

Item: PAVEMENT MARKING AND SIGNAGE (R. Furnish all materials, labor and equipment to install variou

Commodity Code: 906-38 General Construction - Architectural

Quantity: 1,000.0000 **Unit of Measure:** EA

Requested Delivery Date: 12/26/2027

Require Response: Yes

Price Breaks Allowed: No

Allow Alternate Responses: No

Add On Charges Allowed: No

Line 24: Furnish all materials, labor and equipment to install painte

Event # 266-5: Annual Asphalt Mill and Resurfacing

Description: Furnish all materials, labor and equipment to install painte

Item: PAVEMENT MARKING AND SIGNAGE (HA) Furnish all materials, labor and equipment to install painte

Commodity Code: 906-38 General Construction - Architectural

Quantity: 2.0000 **Unit of Measure:** EA

Requested Delivery Date: 12/26/2027

Require Response: Yes **Price Breaks Allowed:** No **Allow Alternate Responses:** No

Add On Charges Allowed: No

Line 25: Furnish all materials, labor and equipment to install thermo

Description: Furnish all materials, labor and equipment to install thermo

Item: PAVEMENT MARKING AND SIGNAGE (TH) Furnish all materials, labor and equipment to install thermo

Commodity Code: 906-38 General Construction - Architectural

Quantity: 10.0000 **Unit of Measure:** EA

Requested Delivery Date: 12/26/2027

Require Response: Yes **Price Breaks Allowed:** No **Allow Alternate Responses:** No

Add On Charges Allowed: No

Line 26: Furnish all materials, labor and equipment to adjust the ele

Description: Furnish all materials, labor and equipment to adjust the ele

Item: UTILITY ADJUSTMENT (VALVE MANHOL) Furnish all materials, labor and equipment to adjust the ele

Commodity Code: 906-38 General Construction - Architectural

Event # 266-5: Annual Asphalt Mill and Resurfacing

Quantity: 10.0000

Unit of Measure: EA

Requested Delivery Date: 12/26/2027

Require Response: Yes

Price Breaks Allowed: No

Allow Alternate Responses: No

Add On Charges Allowed: No

Line 27: Furnish all materials, labor and equipment to adjust the ele

Description: Furnish all materials, labor and equipment to adjust the ele

Item: UTILITY ADJUSTMENT (VALVE BOX CO Furnish all materials, labor and equipment to adjust the ele

Commodity Code: 906-38 General Construction - Architectural

Quantity: 10.0000

Unit of Measure: EA

Requested Delivery Date: 12/26/2027

Require Response: Yes

Price Breaks Allowed: No

Allow Alternate Responses: No

Add On Charges Allowed: No

Line 28: Furnish all materials, labor and equipment to adjust the ele

Description: Furnish all materials, labor and equipment to adjust the ele

Item: UTILITY ADJUSTMENT (STORM INLET Furnish all materials, labor and equipment to adjust the ele

Commodity Code: 906-38 General Construction - Architectural

Quantity: 5.0000

Unit of Measure: EA

Requested Delivery Date: 12/26/2027

Require Response: Yes

Price Breaks Allowed: No

Allow Alternate Responses: No

Event # 266-5: Annual Asphalt Mill and Resurfacing

Response:

Allowed:

Responses:

**Add On
Charges
Allowed:** No

Line 29: Furnish all materials, labor and equipment to adjust the ele

Description: Furnish all materials, labor and equipment to adjust the ele

Item: UTILITY ADJUSTMENT (SEWER CLEAN- Furnish all materials, labor and equipment to adjust the ele

Commodity Code: 906-38 General Construction - Architectural

Quantity: 10.0000 **Unit of Measure:** EA

Requested Delivery Date: 12/26/2027

Require Response: Yes

Price Breaks Allowed: No

Allow Alternate Responses: No

**Add On
Charges
Allowed:** No

Line 30: Furnish all materials, labor and equipment to construct conc

Description: Furnish all materials, labor and equipment to construct conc

Added 5/3/2024

Line duplicated with line 44, no costing required.

Item: ADA/WHEELCHAIR ACCESS RAMPS Furnish all materials, labor and equipment to construct conc

Commodity Code: 906-38 General Construction - Architectural

Quantity: 10.0000 **Unit of Measure:** EA

Requested Delivery Date: 12/26/2027

Require Response: Yes

Price Breaks Allowed: No

Allow Alternate Responses: No

Event # 266-5: Annual Asphalt Mill and Resurfacing

Response:

Allowed:

Responses:

Add On Charges Allowed: No

Line 31: Furnish all materials, labor and equipment to construct stan

Description: Furnish all materials, labor and equipment to construct stan

Item: TYPE "D" CURB Furnish all materials, labor and equipment to construct stan

Commodity Code: 906-38 General Construction - Architectural

Quantity: 100.0000 **Unit of Measure:** LF

Requested Delivery Date: 12/26/2027

Require Response: Yes

Price Breaks Allowed: No

Allow Alternate Responses: No

Add On Charges Allowed: No

Line 32: Furnish all materials, labor and equipment to construct stan

Description: Furnish all materials, labor and equipment to construct stan

Item: DROP CURB Furnish all materials, labor and equipment to construct stan

Commodity Code: 906-38 General Construction - Architectural

Quantity: 100.0000 **Unit of Measure:** LF

Requested Delivery Date: 12/26/2027

Require Response: Yes

Price Breaks Allowed: No

Allow Alternate Responses: No

Add On Charges Allowed: No

Event # 266-5: Annual Asphalt Mill and Resurfacing

Line 33: Furnish all materials, labor and equipment to construct stan

Description: Furnish all materials, labor and equipment to construct stan

Item: TYPE "A" MEDIAN CURB Furnish all materials, labor and equipment to construct stan

Commodity Code: 906-38 General Construction - Architectural

Quantity: 100.0000 **Unit of Measure:** LF

Requested Delivery Date: 12/26/2027

Require Response: Yes **Price Breaks Allowed:** No **Allow Alternate Responses:** No

Add On Charges Allowed: No

Line 34: Furnish all materials, labor and equipment to construct stan

Description: Furnish all materials, labor and equipment to construct stan

Item: VALLEY GUTTER Furnish all materials, labor and equipment to construct stan

Commodity Code: 906-38 General Construction - Architectural

Quantity: 100.0000 **Unit of Measure:** LF

Requested Delivery Date: 12/26/2027

Require Response: Yes **Price Breaks Allowed:** No **Allow Alternate Responses:** No

Add On Charges Allowed: No

Line 35: Furnish all materials, labor and equipment to construct stan

Description: Furnish all materials, labor and equipment to construct stan

Item: TYPE "F" CURB Furnish all materials, labor and equipment to construct stan

Event # 266-5: Annual Asphalt Mill and Resurfacing

Commodity Code: 906-38 General Construction - Architectural

Quantity: 100.0000 **Unit of Measure:** LF

Requested Delivery Date: 12/26/2027

Require Response: Yes **Price Breaks Allowed:** No **Allow Alternate Responses:** No

Add On Charges Allowed: No

Line 36: Furnish all materials, labor and equipment to apply green co

Description: Furnish all materials, labor and equipment to apply green co.

4/29/2024

Quantity updated to 500 and UOM updated to SY.

Item: GREEN CYCLE LANE COATING Furnish all materials, labor and equipment to apply green co

Commodity Code: 906-38 General Construction - Architectural

Quantity: 500.0000 **Unit of Measure:** SY

Requested Delivery Date: 12/26/2027

Require Response: Yes **Price Breaks Allowed:** No **Allow Alternate Responses:** No

Add On Charges Allowed: No

Line 37: Furnish all materials, labor and equipment to install Furnis

Description: Furnish all materials, labor and equipment to install Furnis

Item: LIMEROCK BASE (8-INCH) REF: TYPI Furnish all materials, labor and equipment to install Furnis

Commodity Code: 906-38 General Construction - Architectural

Event # 266-5: Annual Asphalt Mill and Resurfacing

Quantity: 100.0000

Unit of Measure: SY

Requested Delivery Date: 12/26/2027

Require Response: Yes

Price Breaks Allowed: No

Allow Alternate Responses: No

Add On Charges Allowed: No

Line 38: Furnish all materials, labor and equipment to install Furnis

Description: Furnish all materials, labor and equipment to install Furnis

Item: LIMEROCK BASE (12-INCH) REF: TYP Furnish all materials, labor and equipment to install Furnis

Commodity Code: 906-38 General Construction - Architectural

Quantity: 100.0000

Unit of Measure: SY

Requested Delivery Date: 12/26/2027

Require Response: Yes

Price Breaks Allowed: No

Allow Alternate Responses: No

Add On Charges Allowed: No

Line 39: Furnish all materials, labor and equipment for clearing and

Description: Furnish all materials, labor and equipment for clearing and

Item: CLEARING AND GRUBBING Furnish all materials, labor and equipment for clearing and

Commodity Code: 906-38 General Construction - Architectural

Quantity: 100.0000

Unit of Measure: SF

Requested Delivery Date: 12/26/2027

Require Response: Yes

Price Breaks Allowed: No

Allow Alternate Responses: No

Event # 266-5: Annual Asphalt Mill and Resurfacing

Response:

Allowed:

Responses:

**Add On
Charges
Allowed:** No

Line 40: Furnish all materials, labor and equipment to install thermo

Description: Furnish all materials, labor and equipment to install thermo

Item: BICYCLE SHARROWS Furnish all materials, labor and equipment to install thermo

Commodity Code: 906-38 General Construction - Architectural

Quantity: 20.0000 **Unit of Measure:** EA

Requested Delivery Date: 12/26/2027

Require Response: Yes

Price Breaks Allowed: No

Allow Alternate Responses: No

**Add On
Charges
Allowed:** No

Line 41: Furnish all materials, labor and equipment to install thermo

Description: Furnish all materials, labor and equipment to install thermo

Item: BICYCLE SYMBOLS Furnish all materials, labor and equipment to install thermo

Commodity Code: 906-38 General Construction - Architectural

Quantity: 20.0000 **Unit of Measure:** EA

Requested Delivery Date: 12/26/2027

Require Response: Yes

Price Breaks Allowed: No

Allow Alternate Responses: No

**Add On
Charges
Allowed:** No

Event # 266-5: Annual Asphalt Mill and Resurfacing

Line 42: Furnish all materials, labor, and equipment to demolish and

Description: Furnish all materials, labor, and equipment to demolish and

Item: SPEED HUMPS (FLAT TOP 22X24) Furnish all materials, labor, and equipment to demolish and

Commodity Code: 906-38 General Construction - Architectural

Quantity: 5.0000 **Unit of Measure:** EA

Requested Delivery Date: 12/26/2027

Require Response: Yes **Price Breaks Allowed:** No **Allow Alternate Responses:** No

Add On Charges Allowed: No

Line 43: Furnish all materials, labor, and equipment to demolish and

Description: Furnish all materials, labor, and equipment to demolish and

Item: SPEED HUMPS (ROUND TOP 12X24) Furnish all materials, labor, and equipment to demolish and

Commodity Code: 906-38 General Construction - Architectural

Quantity: 5.0000 **Unit of Measure:** EA

Requested Delivery Date: 12/26/2027

Require Response: Yes **Price Breaks Allowed:** No **Allow Alternate Responses:** No

Add On Charges Allowed: No

Line 44: Furnish all materials, labor and equipment to demolish and

Description: Furnish all materials, labor and equipment to demolish and

Event # 266-5: Annual Asphalt Mill and Resurfacing

Added 5/3/2024

Line Quantity reduced from 150 to 10.

Item: ADA RAMPS (SEE ATTACHED DETAILS) Furnish all materials, labor and equipment to demolish and

Commodity Code: 906-38 General Construction - Architectural

Quantity: 10.0000 **Unit of Measure:** EA

Requested Delivery Date: 12/26/2027

Require Response: Yes

Price Breaks Allowed: No

Allow Alternate Responses: No

Add On Charges Allowed: No

Line 45: Furnish all materials, labor and equipment to demolish and c

Description: Furnish all materials, labor and equipment to demolish and c

Item: HEADER CURB (STREETS) Furnish all materials, labor and equipment to demolish and c

Commodity Code: 906-38 General Construction - Architectural

Quantity: 500.0000 **Unit of Measure:** LF

Requested Delivery Date: 12/31/2027

Require Response: Yes

Price Breaks Allowed: No

Allow Alternate Responses: No

Add On Charges Allowed: No

Line 46: Furnish all materials, labor and equipment to construct conc

Description: Furnish all materials, labor and equipment to construct conc

Item: HEADER CURB (SIDEWALK) Furnish all materials, labor and equipment to construct conc

Event # 266-5: Annual Asphalt Mill and Resurfacing

Commodity Code: 906-38 General Construction - Architectural

Quantity: 500.0000 **Unit of Measure:** LF

Requested Delivery Date: 12/26/2027

Require Response: Yes

Price Breaks Allowed: No

Allow Alternate Responses: No

Add On Charges Allowed: No

**CITY OF FORT LAUDERDALE
CONTRACT AND SPECIFICATIONS PACKAGE**

BID/EVENT NO. 266

PROJECT NO. 12518

ANNUAL MILL AND RESURFACING



**PAULETTE HEMMINGS TURNER
SENIOR PROCUREMENT SPECIALIST**
Telephone: (954) 828-5139 E-mail: PTurner@fortlauderdale.gov

TABLE OF CONTENTS

<u>Description</u>	<u>Pages</u>
I. BID INFORMATION	
Invitation to Bid.....	TB-1 thru ITB-2
Instruction to Bidders	IB-1 thru IB-7
Special Conditions	SC-1 thru SC-7
II. CONSTRUCTION AGREEMENT (SAMPLE).....	
	C-1 thru C-39
III. GENERAL CONDITIONS	
	GC-1 thru GC-10
IV. DETAILED SPECIFICATIONS	
	DS-1 – DS34
V. TECHNICAL SPECIFICATIONS	
DIVISION 1 – GENERAL REQUIREMENTS	
010000 General Requirements.....	10
010100 Summary of Work.....	8
010250 Measurement and Payment.....	6
012200 Unit Prices.....	1
012600 Contract Modification Procedures.....	2
012900 Payment Procedures.....	5
013100 Project Management and Coordination	7
013200 Construction Progress Documentation	4
013233 Photographic Documentation.....	2
013300 Submittal Procedures.....	9
014000 Quality Requirements.....	5
014100 Testing Laboratory Services.....	4
015300 Protection of Existing Facilities.....	6
015639 Temporary Tree and Plant Protection.....	8
015700 Traffic Regulations.....	2
015900 Construction Sign.....	1
Construction Sign Request Form.....	1
016000 Product Requirements.....	5
017100 Cleaning.....	2
017300 Execution.....	5
017419 Construction Waste Management and Disposal.....	1
017700 Closeout Procedures.....	4
017839 Project Record Documents.....	3
DIVISION 3 – CONCRETE	
033053 Miscellaneous Cast-In-Place Concrete	5

DIVISION 32 - EXTERIOR IMPROVEMENTS

<u>Description</u>	<u>Pages</u>
321129 Limerock Base.....	4
321216 Asphalt Paving.....	6
321313 Concrete Curbs and Sidewalks.....	3
321723 Pavement Marking.....	5
329200 Turf Grass.....	3

Note: The following documents are available electronically for completion and documents **must** be returned with your bid along with your bid security, proof of insurance, and proof of required licenses/certifications.

- CITB Construction Bid Certification
- Questionnaire Sheets CITB
- Trench Safety
- CITB Non-Collusion Statement
- Non-Discrimination Certification
- Affidavit of Compliance with Foreign Entity Laws
- Contract Payment Method
- Reference Form
- E-Verify Affirmation

INVITATION TO BID

Sealed bids will be received electronically until **2:00 p.m.**, local time, on **May 3, 2024**, and opened online immediately thereafter for **BID/EVENT NO., 266, PROJECT NO., 12518, ANNUAL ASPHALT MILL AND RESURFACING.**

All openings will be held on the City's online strategic sourcing platform. Once the Procurement Specialist opens the solicitation, the bid tabulations may be viewed immediately on a computer, laptop, cell phone, or any other device with Wi-Fi access. In the event of any conflict or discrepancy between bid price(s) submitted by bidder electronically into the City's online strategic sourcing platform Unit Price field(s), any other forms or attachments (whether part of the City's solicitation documents or documents created and uploaded by the bidder, or another section/field of the System, the online unit price(s) **inputted** electronically into the System by the bidder shall govern.

Anyone requesting assistance or having further inquiry in this matter must contact the Procurement Specialist indicated in the solicitation, via the Question and Answer (Q&A) forum on the City's online strategic sourcing platform before the Last Day for Questions indicated in the Solicitation.

This project is located Citywide, in the City of Fort Lauderdale. The work to be accomplished under this contract includes, but is not limited to, installation of an estimated 100,000 square yards of Type S-3 asphalt, 3000 square yards of FDOT Superpave 9.5 asphalt, 20 ADA access ramps, thermoplastic pavement marking, milling and leveling of existing asphalt pavement, and other items quantified in the proposal pages of this contract.

Drawing Plans: There are no drawing plans for this Project.

Licensing Requirements: Possession of a General Contractor's License issued by the State of Florida.

NOTE: Payment on this contract will be made by Visa or MasterCard

Pre-Bid Meeting/Site visit: There will not be a pre-bid meeting and/or site visit for this Invitation to Bid.

However, it will be the sole responsibility of the bidder to inspect the City's location(s)/facilities and become familiar with the scope of the City's requirements and systems prior to submitting a bid. No variation in price or conditions shall be permitted based upon a claim of ignorance. Submission of a bid will be considered evidence that the bidder has familiarized himself with the nature and extent of the work, equipment, materials, and labor required.

Bid Security: A certified check, cashier's check, bank officer's check or bid bond for **FIVE PERCENT (5%)** of the bid amount, made payable to the City of Fort Lauderdale, Florida, shall accompany each offer.

Bid Bonds:

Bidders can submit bid bonds **four** different ways.

- 1) Bidders may submit bid bonds **electronically** directly through the City's online strategic sourcing platform using **Surety 2000**.
- 2) Bidders may **upload** their original executed bid bond on the City's online strategic sourcing platform to accompany their electronic bids and **deliver** the original,

signed and sealed hard copy to the Finance Department, Procurement Services Division, **Suite 444, 1E Broward Boulevard, Fort Lauderdale 33301** within **five (5) business days** after bid opening, with the company name, bid number and title clearly indicated on the envelope.

- 3) Bidders can **hand deliver** their bid bond in a sealed envelope to the Finance Department, Procurement Services Division, **Suite 444, 1E Broward Boulevard, Fort Lauderdale 33301**, with the company name, bid number and title clearly indicated on the envelope.
- 4) Bidders can **mail** their bid bond to the Finance Department, Procurement Services Division, **Suite 444, 1E Broward Boulevard, Fort Lauderdale 33301**, **before time of bid opening**, with the company name, bid number and title clearly indicated on the envelope. NOTE: Bond must be received in Procurement and time stamped before bid opening.

It will be the sole responsibility of the bidder to ensure that - its bid is submitted prior to the bid opening date and time listed. **PAPER BID SUBMITTALS WILL NOT BE ACCEPTED. BIDS MUST BE SUBMITTED ELECTRONICALLY VIA THE CITY'S ONLINE STRATEGIC SOURCING PLATFORM.**

Certified Checks, Cashier's Checks and Bank Drafts:

These **CANNOT** be submitted via the City's online strategic sourcing platform, nor are their images allowed to be uploaded and submitted with your electronic bid. These forms of securities, as well as hard copy bid bonds, must be received on or before the Invitation to Bid (ITB) opening date and time, at the Finance Department, Procurement Services Division, Suite 444, 1E Broward Boulevard Fort Lauderdale, Florida 33301-1016, with the bid number and title clearly indicated on the envelope. It is the bidder's sole responsibility to ensure that its bid bond or other bid security is received by the Procurement Services Division before time of bid opening. Failure to adhere to this requirement may be grounds to consider the bid as non-responsive.

The City of Fort Lauderdale reserves the right to waive any informality in any or all bids and to reject any or all bids.

For information concerning technical specifications, please utilize the Q&A platform provided on the City's online strategic sourcing platform. Questions of a material nature must be received prior to the cut-off date specified in the solicitation. Material changes, if any, to the scope of services or bidding procedures, will only be transmitted by written addendum. **Bidders please note:** No part of your bid can be submitted via FAX. No variation in price or conditions shall be permitted based upon a claim of ignorance. Submission of a bid will be considered evidence that the bidder has familiarized himself with the nature and extent of the work, equipment, materials, and labor required. The entire bid response must be submitted in accordance with all specifications contained in this solicitation.

Information on bid results and projects currently out to bid can be obtained on the City's website – <https://www.fortlauderdale.gov/government/departments-a-h/finance/procurement-services>
For general inquiries, please call (954) 828-5933.

INSTRUCTIONS TO BIDDERS

The following instructions are given for the purpose of guiding bidders in properly preparing their bids or proposals. These directions have equal force and weight with the specifications, and strict compliance is required with all of these provisions.

QUALIFICATIONS OF BIDDERS – No bid will be accepted from, nor will any contract be awarded to, any person who is in arrears to the City of Fort Lauderdale, upon any debt or contract, or who has defaulted, as surety or otherwise, upon any obligation to the City, or who is deemed irresponsible or unreliable by the City Commission of Fort Lauderdale.

CONCERNING SUB-CONTRACTORS, SUPPLIERS, AND OTHERS - The amount of work that is sublet by the Bidder shall be limited by the condition that the Bidder shall, with his own organization, perform at least forty percent (40%) of the total dollar amount of the Work to be performed under the Agreement.

PERSONAL INVESTIGATION - Bidders shall satisfy themselves by personal investigation, and by such other means as they may think necessary or desirable, as to the conditions affecting the proposed work and the cost. No information derived from maps, plans, specifications, or from the Engineer, or City staff, shall relieve the Contractor from any risk or from fulfilling all terms of the contract.

INCONSISTENCIES – Any inconsistency between different provisions of the plans, specifications, bid or contract, or any point requiring explanation must be inquired by the bidder, in writing, at least ten (10) days prior to the time set for opening bids. After bids are opened, the bidders shall abide by the decision of the Engineer as to such interpretation.

ADDENDA AND INTERPRETATIONS - No interpretations of the meaning of the plans, specifications or other contract documents will be made orally to any bidder. Prospective bidders must request such interpretation in writing as instructed in the bid package. To be considered, such request must be received by the Questions and Answers deadline as indicated in the City's online strategic sourcing platform. Material changes, if any, to the scope of services or bidding procedures will only be transmitted by written addendum. **It is the bidder's responsibility to verify if addenda have been issued in the City's online strategic sourcing platform.** Failure of any bidder to receive any such addenda or interpretation shall not relieve any bidder from any obligation under his bid as submitted. All addenda so issued shall become a part of the contract document. **Bidder** shall verify in the City's online strategic sourcing platform that it has all addenda before submitting a bid.

LEGAL CONDITIONS - Bidders are notified to familiarize themselves with the provisions of the laws of the State of Florida relating to hours of labor on municipal work, and with the provisions of the laws of the State of Florida and the Charter and the ordinances of the City of Fort Lauderdale.

PUBLIC ENTITY CRIMES - A person or affiliate who has been placed on the convicted vendor list following a conviction for a public entity crime may not submit a bid on a contract to provide any goods or services to a public entity, may not submit a bid on a contract with a public entity for the construction or repair of a public building or public work, may not submit bids on leases of real property to a public entity, may not be awarded or perform work as a contractor, supplier, subcontractor, or consultant under a contract with any public entity, and may not transact business with any public entity in excess of the threshold amount provided in Section 287.017, Florida Statutes, for Category Two for a period of thirty-six (36) months from the date of being placed on the convicted vendor list.

FORMS OF BIDS - Each bid and its accompanying statements **MUST BE SUBMITTED ELECTRONICALLY, IN GOOD ORDER WITH ALL BLANKS COMPLETED,** and must show the name of the bidder and a statement as to its contents. In the event of any conflict or discrepancy between bid price(s) submitted by bidder electronically into the City's online strategic sourcing platform Unit Price

field(s), any other forms or attachments (whether part of the City's solicitation documents or documents created and uploaded by the bidder, or another section/field of the System, the online unit price(s) **inputted** electronically into the System by the bidder shall govern.

The bid must be signed by one duly authorized to do so, and in case signed by a deputy or subordinate, the principal's properly written authority to such deputy or subordinate must accompany the bid. No bid will be accepted, for any reason whatsoever, which is not submitted to the City as stated above, within the specified time.

INSURANCE - Contractor shall provide and shall require all of its sub-contractors to provide, pay for, and maintain in force at all times during the term of the Agreement, such insurance, including Property Insurance (Builder's Risk), Commercial General Liability Insurance, Business Automobile Liability Insurance, Workers' Compensation Insurance, Employer's Liability Insurance, and Umbrella/Excess Liability, as stated below. Such policy or policies shall be issued by companies authorized to do business in the State of Florida and having agents upon whom service of process may be made in the State of Florida.

BID BOND - A certified check, cashier's check or bank officer's check made payable to the City of Fort Lauderdale, or a bid bond in favor of the City of Fort Lauderdale shall accompany each bid as evidence of the good faith and responsibility of the bidder. The amount of the check or bond shall be retained by the City as liquidated damages in the event the bidder whose bid is accepted refuses to or fails to enter into a contract for the execution of the work solicited in this Invitation to Bid.

The bid bond or check shall be a guarantee that the successful bidder will promptly execute a contract satisfactory to the City for the work solicited in this Invitation to Bid and furnish good and sufficient bonds.

Following the full execution of a contract for the work solicited in this Invitation to Bid and the successful bidder's provision of good and sufficient bonds, in the event bid security was provided by check, the amount of the bid security accompanying the successful bidder's bid will be refunded to the successful bidder, or in the event bid security was provided by a bond, the bond accompanying the successful bidder's bid will be returned to the successful bidder. In the event the successful bidder fails to enter into, execute, and deliver a contract and furnish the required bonds within ten (10) days after the City provides notice to the successful bidder to deliver the executed contract and the required bonds, the bid bond shall immediately be payable to the City of Fort Lauderdale, or in the case of a check, the City shall retain the amount of the check, as liquidated damages. The City's retention of such amount shall not be construed as a penalty or forfeiture.

FILLING IN BIDS - All prices must be electronically submitted in the bid pages, and bids must fully cover all items for which prices are asked and no other. Where more than one person is interested, it is required that all persons interested or their legal representative make all verification and subscribe to the bid. In the event of any conflict or discrepancy between bid price(s) submitted by bidder electronically into the City's online strategic sourcing platform Unit Price field(s), any other forms or attachments (whether part of the City's solicitation documents or documents created and uploaded by the bidder, or another section/field of the System, the online unit price(s) **inputted** electronically into the System by the bidder shall govern.

PRICES QUOTED: Deduct any discount offered and quote firm net unit prices. In the case of a discrepancy in computing the amount of the bid, the unit price quoted will govern. All prices quoted shall be F.O.B. destination, freight prepaid (Bidder pays and bears freight charges, Bidder owns goods in transit and files any claims), unless otherwise stated in Special Conditions. Each item must be bid separately. No attempt shall be made to tie any item or items contained in the ITB with any other business with the City.

BIDS FIRM FOR ACCEPTANCE: Bidder warrants, by virtue of bidding, that his bid and the prices quoted in his bid will be firm for acceptance by the City for a period of one hundred and twenty (120) days from the date of bid opening unless otherwise stated in the ITB. The City shall award contract within this time period or shall request to the recommended awarded vendor an extension to hold pricing, until products/services have been awarded.

ADDITIONAL ITEMS OR SERVICES: The City may require additional items or services of a similar nature, but not specifically listed in the contract. The Contractor agrees to provide such items or services and shall provide the City prices on such additional items or services. If the price(s) offered are not acceptable to the City, and the situation cannot be resolved to the satisfaction of the City, the City reserves the right to procure those items or services from other vendors, or to cancel the contract upon giving the Contractor thirty (30) days written notice.

DELETION OR MODIFICATION OF SERVICES: The City reserves the right to delete any portion of the Contract at any time without cause, and if such right is exercised by the City, the total fee shall be reduced in the same ratio as the estimated cost of the work deleted bears to the estimated cost of the work originally planned. If work has already been accomplished on the portion of the Contract to be deleted, the Contractor shall be paid for the deleted portion on the basis of the estimated percentage of completion of such portion.

If the Contractor and the City agree on modifications or revisions to the task elements, after the City has approved work to begin on a particular task or project, and a budget has been established for that task or project, the Contractor will submit a revised cost to the City for approval prior to proceeding with the work.

TERMINATION FOR UNAPPROPRIATED FUNDS: The obligation of the City for payment to a Contractor is limited to the availability of funds appropriated in a current fiscal period, and continuation of the contract into a subsequent fiscal period is subject to appropriation of funds, unless otherwise authorized by law.

CAUSES FOR REJECTION - No bid will be canvassed, considered or accepted which, in the opinion of the City is informal or unbalanced, or contains inadequate or unreasonable prices for any items. Each item must carry its own proportion of the cost as nearly as is practicable. Any alteration, erasure, interlineation, or failure to specify bids for all items called for in the schedule shall render the bid informal.

REJECTION OF BIDS - The City reserves the right to reject any bid if the evidence submitted by the bidder, or if the investigation of such bidder, fails to satisfy the City that such bidder is properly qualified to carry out the obligations and to complete the work contemplated. Any or all bids will be rejected, if there is reason to believe that collusion exists among bidders. A bid will be considered irregular and may be rejected, if it shows serious omissions, alterations in form, additions not called for, conditions or unauthorized alternates, or irregularities of any kind. The City reserves the right to reject any or all bids and to waive such technical errors as may be deemed best for the interests of the City.

BID PROTEST PROCEDURE: Any bidder who is not recommended for award of a contract and who alleges a failure by the City to follow the City's procurement ordinance or any applicable law may protest to the Procurement Division – Deputy Director of Finance, by delivering a letter of protest within five (5) days after a Notice of Intent to award is posted on the City's website at the following link:
<https://www.fortlauderdale.gov/government/departments-a-h/finance/procurement-services/notices-of-intent-to-award>

The complete protest ordinance may be found on the City's website at the following link:
https://library.municode.com/fl/fort_lauderdale/codes/code_of_ordinances?nodeId=COOR_CH2AD_ARTVFI_DIV2PR_S2-182DIREPRAWINAW

WITHDRAWALS - Any bidder may, without prejudice to himself, withdraw its bid at any time prior to the expiration of the time during which bids may be submitted. Such request for withdrawal must be in writing and signed in the same manner and by the same person who signed the bid. After expiration of the period for receiving bids, no bid can be withdrawn, modified, or explained.

CONTRACT - The bidder to whom award is made shall execute a written contract to do the work and maintain the same in good repair until final acceptance by the proper authorities and shall furnish good and sufficient bonds as specified within ten (10) days after receiving such contract for execution. If the bidder to whom the first award is made fails to enter into a contract as provided, the award may be annulled and the contract let to the next lowest bidder who is responsive and responsible, and that bidder shall fulfill every stipulation and obligation as if such bidder were the original party to whom award was made.

The contract shall provide that the Contractor agrees to correct any defective or faulty work or material, which may appear within one (1) year after completion of the work and receipt of final payment.

ENFORCEMENT OF SPECIFICATIONS - Copies of the specifications will be placed in the hands of all the assistants to the Engineer and Inspectors employed on the Work, who shall enforce each and every requirement of the contract. Such assistants shall have no authority to vary from such requirements.

DRAWING PLANS - There are no drawing plans for this Project.

SURETY BOND – The Contractor shall execute and record in the public records of Broward County, Florida, a payment and performance bond in an amount at least equal to the Contract Price with a surety insurer authorized to do business in the State of Florida as surety, (“Bond”), in accordance with Section 255.05, Florida Statutes (2023), as may be amended or revised, as security for the faithful performance and payment of all of the Contractor’s obligations under the Contract Documents.

The successful bidder shall furnish a performance and payment bond in compliance with Section 255.05, Florida Statutes (2023), written by a Corporate Surety company, holding a Certificate of Authority from the Secretary of the Treasury of the United States as acceptable sureties on federal bonds, in an amount equal to the total amount payable by the terms of the contract, executed and issued by a Resident Agent licensed by and having an office in the State of Florida, representing such Corporate Surety, conditioned for the due and faithful performance of the work, and providing in addition to all other conditions, that if the Contractor, or his or its subcontractors, fail to duly pay for any labor, materials, or other supplies used or consumed by such Contractor, or his or its subcontractor or subcontractors, in performance of the work contracted to be done, the Surety will pay the same in the amount not exceeding the sum provided in such bonds, together with interest at the rate of fifteen percent (15%) per annum, and that they shall indemnify and hold harmless the City of Fort Lauderdale to the extent of any and all payments in connection with carrying out of the contract, which the City may be required to make under the law.

The Contractor is required at all times to have a valid surety bond in force covering the work being performed. A failure to have such bond in force at any time shall constitute a default on the part of the Contractor. A bond written by a surety, which becomes disqualified to do business in the State of Florida, shall automatically constitute a failure on the part of the Contractor to meet the above requirements.

Such bond shall continue in effect for one (1) year after completion and acceptance of the work with liability equal to at least twenty-five percent (25%) of contract price, or an additional bond shall be conditioned that the Contractor will correct any defective or faulty work or material which appear within one (1) year after completion of the contract, upon notification by the City, except in contracts which are concerned solely with demolition work, in which cases twenty-five percent (25%) liability will not be applicable.

AUDIT OF CONTRACTOR'S RECORDS - Upon execution of the Contract, the City reserves the right to conduct any necessary audit of the Contractor's records. Such an audit, or audits, may be conducted by the City or its representatives at any time prior to final payment, or thereafter, for a period up to three (3) years. The City may also require submittal of the records from either the Contractor, the Subcontractor, or both. For the purpose of this Section, records shall include all books of account, supporting documents and papers deemed necessary by the City to assure compliance with the contract provisions.

Failure of the Contractor or Subcontractor to comply with these requirements may result in disqualification or suspension from bidding for future contracts or disapproval as a Subcontractor at the option of the City.

The Contractor shall assure that each of its Subcontractors will provide access to its records pertaining to the project upon request by the City.

PERIODIC ESTIMATE FOR PARTIAL PAYMENT - After the Contractor has submitted a periodic estimate for partial payment, approved and certified by the Public Works Department, the City shall make payment in the manner provided in the Contract Documents and in accordance with Florida's Prompt Payment Act, Section 218, Florida Statutes (2023).

RESERVATION FOR AWARD AND REJECTION OF BIDS - The City reserves the right to accept or reject any or all bids, part of bids, and to waive minor irregularities or variations to specifications contained in bids, and minor irregularities in the bidding process. The City also reserves the right to award the contract on a split order basis, lump sum basis, individual item basis, or such combination as shall best serve the interest of the City. The City reserves the right to make an award to the responsive and responsible bidder whose product or service meets the terms, conditions, and specifications of the ITB and whose bid is considered to best serve the City's interest. In determining the responsiveness of the offer and the responsibility of the Bidder, the following shall be considered when applicable: the ability, capacity and skill of the Bidder to perform as required; whether the Bidder can perform promptly, or within the time specified, without delay or interference; the character, integrity, reputation, judgment, experience and efficiency of the Bidder; the quality of past performance by the Bidder; the previous and existing compliance by the Bidder with related laws and ordinances; the sufficiency of the Bidder's financial resources; the availability, quality and adaptability of the Bidder's supplies or services to the required use; the ability of the Bidder to provide future maintenance, service or parts; the number and scope of conditions attached to the bid.

LOCAL BUSINESS PREFERENCE - Section 2-186, Code of Ordinances of the City of Fort Lauderdale, provides for a local business preference. In order to be considered for a local business preference, a proposer must include the Local Business Preference Certification Statement of this ITB, as applicable to the local business preference class claimed at the time of Proposal submittal.

Upon formal request of the City, based on the application of a Local Business Preference, the Proposer shall, within ten (10) calendar days, submit the following documentation to the Local Business Preference Class claimed:

- a. Copy of City of Fort Lauderdale current year business tax receipt, or Broward County current year business tax receipt, and
- b. List of the names of all employees of the proposer and evidence of employees' residence within the geographic bounds of the City of Fort Lauderdale or Broward County such as current Florida driver license, residential utility bill (water, electric, telephone, cable television), or other type of similar documentation acceptable to the City.

Failure to comply at time of proposal submittal shall result in the Proposer being found ineligible for the local business preference.

Definitions:

- a. The term "Class A business" shall mean any business that has established and agrees to maintain a permanent place of business located in a non-residential zone, staffed with full-time employees within the limits of the city, and shall maintain a staffing level for the proposed work of at least fifty percent (50%) who are residents of the City of Fort Lauderdale.
- b. The term "Class B business" shall mean any business that has established and agrees to maintain a permanent place of business located in a non-residential zone, staffed with full-time employees within the limits of the city, or shall maintain a staffing level for the proposed work of at least fifty percent (50%) who are residents of the City of Fort Lauderdale.
- c. The term "Class C business" shall mean any business that has established and agrees to maintain a permanent place of business located in a non-residential zone, staffed with full-time employees within the limits of Broward County.
- c. The term "Class D business" shall mean any business that does not qualify as a Class A, Class B, or Class C business.

The complete local business preference ordinance may be found on the City's web site at the following link:

https://library.municode.com/fl/fort_lauderdale/codes/code_of_ordinances?nodeId=COOR_CH2AD_ARTVFI_DIV2PR_S2-186LOBUPR

DISADVANTAGED BUSINESS ENTERPRISE PREFERENCE - Section 2-185, Code of Ordinances of the City of Fort Lauderdale, provides for a disadvantaged business preference. In order to be considered for a disadvantaged business preference, a proposer must include a certification from a government agency, as applicable to the disadvantaged business preference class claimed at the time of Proposal submittal: Upon formal request of the City, based on the application of a Disadvantaged Business Preference the Proposer shall within ten (10) calendar days submit the following documentation to the Disadvantaged Business Enterprise Preference Class claimed:

- a. Copy of City of Fort Lauderdale current year business tax receipt, or the Tri-County (Broward, Dade, West Palm Beach) current year business tax receipt, or proof of active Sunbiz status and
- b. List of the names of all employees of the proposer and evidence of employees' residence within the geographic bounds of the City of Fort Lauderdale or the Tri-County, as the case may be, such as current Florida driver license, residential utility bill (water, electric, telephone, cable television), or other type of similar documentation acceptable to the City.

Failure to comply at time of proposal submittal shall result in the Proposer being found ineligible for the Disadvantaged Business Enterprise Preference business preference.

The complete Disadvantaged Business Preference ordinance may be found on the City's website at the following link: <https://www.fortlauderdale.gov/home/showpublisheddocument?id=56883>

DEBARRED OR SUSPENDED BIDDERS OR PROPOSERS - The bidder or proposer certifies, by submission of a response to this solicitation, that neither it nor its principals and subcontractors are presently debarred or suspended by any Federal department or agency.

LOBBYING ACTIVITIES - ALL CONTRACTORS PLEASE NOTE: Any contractor submitting a response to this solicitation must comply, if applicable, with City of Fort Lauderdale Ordinance No. C-11-42 & Resolution No. 07-101, Lobbying Activities. Copies of Ordinance No., C-11-42, and Resolution No. 07-101, may be obtained from the City Clerk's Office on Suite 444, 1E Broward Boulevard, Fort Lauderdale, Florida 33301. The Ordinance may also be viewed on the City's website at <https://www.fortlauderdale.gov/home/showdocument?id=6036>.

GENERAL CONDITIONS

Unless otherwise modified in the Project's Special Conditions, the following General Conditions shall be part of the Contract:

GC - 01 - DEFINITIONS - The following words and expressions, or pronouns used in their stead, shall wherever they appear in the Contract and the Contract Documents, be construed as follows:

"Addendum" or "Addenda" - shall mean the additional Contract provisions issued in writing, by the Engineer, prior to the receipt of bids.

"Bid" – shall mean the offer or proposal of the Bidder submitted on the prescribed form setting forth the prices for the Work to be performed.

"Bidder" – shall mean any person, firm, company, corporation or entity submitting a bid for the Work.

"Bonds" –shall mean bid, performance and payment bonds and other instruments of security, furnished by Contractor and his surety in accordance with the Contract Documents.

"City" – shall mean the City of Fort Lauderdale, Florida, a Florida municipal corporation. In the event the City exercises its regulatory authority as a government body, the exercise of such regulatory authority and the enforcement of any rules, regulations, codes, laws and ordinances shall be deemed to have occurred pursuant to City's authority as a governmental body and shall not be attributable in any manner to the City as a party to this Contract.

"Consultant" – shall mean a person, firm, company, corporation or other entity employed by the City to perform the professional services for the project.

"Contractor" – shall mean the successful Bidder who has been employed by the City to perform the construction and related services for the project.

"Contract Work" - shall mean everything expressed or implied to be required to be furnished and furnished by the Contractor by any one or more of the parts of the Contract Documents referred to in the Contract hereof. In the case of any inconsistency in or between any parts of this Contract, the Project Manager shall determine which shall prevail.

"Design Documents" – shall mean the construction plans and specifications included as part of a Bid/Proposal Solicitation prepared either by the City or by the Consultant under a separate Agreement with the City.

"Engineer" - shall include the terms "professional engineer" and "licensed engineer" and means a person who is licensed to engage in the practice of engineering under Florida Statute, Chapter 471. An Engineer may be a City employee or a consultant hired by the City.

"Extra Work" - shall mean work other than that required by the Contract.

"Inspector" – shall mean an authorized representative of the City assigned to make necessary inspections of materials furnished by Contractor and of the Work performed by Contractor.

"Notice" - shall mean written notice sent by certified United States mail, return receipt requested, or sent by commercial express carrier with acknowledgement of delivery, or via fax or email, or by hand delivery with a request for a written receipt of acknowledgment of delivery and shall be served upon the Contractor either personally or to its place of business listed in the Bid.

"Owner" - shall mean the City of Fort Lauderdale.

"Project Manager" - shall mean a professional designated by the City to manage the Project under the supervision and direction of the Public Works Director or designee.

"Public Works Director" – shall mean the Public Works Director of the City of Fort Lauderdale.

"Site" - shall mean the area upon or in which the Contractor's operations are carried out and such other areas adjacent thereto as may be designated as such by the Project Manager.

"Sub-contractor" - shall mean any person, firm, company, corporation or other entity, other than employees of the Contractor, who or which contracts with the contractor, to furnish, or actually furnishes labor and materials, or labor and equipment, or labor, materials and equipment at the site.

"Surety" - shall mean any corporation or entity that executes, as Surety, the Contractor's performance and payment bond securing the performance of this Contract.

GC - 02 - SITE INVESTIGATION AND REPRESENTATION - The Contractor acknowledges that it has satisfied itself as to the nature and location of the Work under the Contract Documents, the general and local conditions of the Site, particularly those bearing upon availability of transportation, disposal, handling and storage of materials, availability of labor, water, electric power, and roads, field conditions, the type of equipment and facilities needed preliminary to and during the prosecution of the Work and all other matters which can in any way affect the Work or the cost thereof under the Contract Documents.

The Contractor acknowledges that it has conducted extensive tests, examinations and investigations and represents and warrants a thorough familiarization with the nature and extent of the Contract Documents, the Work, locality, soil conditions, moisture conditions and all year-round local weather and climate conditions (past and present), and, in reliance on such tests, examination and investigations conducted by Contractor and the Contractor's experts, has determined that no conditions exist that would in any manner affect the Bid Price and that the project can be completed for the Bid Price submitted.

Any failure by the Contractor to acquaint itself with all the Site conditions shall not relieve Contractor from responsibility for properly estimating the difficulty or cost thereof under the Contract Documents.

GC - 03 - SUBSTITUTIONS - If the Contractor desires to use materials and/or products of manufacturer's names different from those specified in the Contract Documents, the Bidder requesting the substitution shall make written application as described herein. The burden of proving the equality of the proposed substitution rests on the Contractor making the request. To be acceptable, the proposed substitution shall meet or exceed all expressed requirements of the Contract Documents and shall be submitted upon the Contractor's letterhead. The following requirements shall be met in order for the substitution to be considered:

1. Requests for substitution shall be accompanied by such technical data, as the party making the request desires to submit. The Project Manager will consider reports from reputable independent testing laboratories, verified experience records from previous users and other written information valid in the circumstances; and
2. Requests for substitution shall completely and clearly indicate in what respects the materials and/or products differ from those indicated in the Contract Documents; and

3. Requests for substitution shall be accompanied by the manufacturer's printed recommendations clearly describing the installation, use and care, as applicable, of the proposed substitutions; and
4. Requests for substitution shall be accompanied by a complete schedule of changes in the Contract Documents, if any, which must be made to permit the use of the proposed substitution.

If a proposed substitution is approved by the Project Manager, an addendum will be issued to prospective bidders not less than three (3) working days prior to the date set for opening of bids. Unless substitutions are received and approved as described above, the successful Bidder shall be responsible for furnishing materials and products in strict accordance with the Contract Documents.

GC- 04 – CONSTRUCTION RESOURCES – Contractor shall provide all labor and equipment necessary to complete the installation within a timely manner. Contractor shall provide details as to manpower and equipment to be dedicated to the project in its Work Plan. Contractor is responsible for making arrangements, obtaining and purchasing construction water services if required to complete the work.

GC - 05 - CONTROL OF THE WORK - The Project Manager shall have full control and direction of the Work in all respects. The Project Manager and/or his authorized designee(s) shall, at all times, have the right to inspect the Work and materials. The Contractor shall furnish all reasonable facilities for obtaining such information, as the Project Manager may desire respecting the quality of the Work and materials and the manner of conducting the Work. Should the Contractor be permitted to perform night Work, or to vary the period which work is ordinarily carried on in the daytime, he shall give ample notice to the Project Manager so that proper and adequate inspection may be provided. Such Work shall be done only under such regulations as are furnished in writing by the Project Manager, and no extra compensation shall be allowed to the Contractor therefore. In the event of night work, the Contractor shall furnish such light, satisfactory to the Project Manager, as will ensure proper inspection. Nothing herein contained shall relieve the Contractor from compliance with any and all City ordinances relating to noise or Work during prohibited hours.

GC - 06 - SUB-CONTRACTOR - The Contractor shall not sublet, in whole or any part of the Work without the written consent and approval of the Project Manager. Within ten (10) days after official notification of starting date, the Contractor must submit in writing, to the Project Manager, a list of all Sub-contractors. No Work shall be done by any sub-contractor until such Sub-contractor has been officially approved by the Project Manager. A sub-contractor not appearing on the original list will not be approved without written request submitted to the Project Manager and approved by the Public Works Director. In all cases, the Contractor shall give his personal attention to the Work of the Sub-contractors and the Sub-contractor is liable to be discharged by the Contractor, at the direction of the Project Manager, for neglect of duty, incompetence or misconduct.

Acceptance of any sub-contractor, other person, or organization by the Project Manager shall not constitute a waiver of any right of Project Manager to reject defective Work or Work not in conformance with the Contract Documents.

Contractor shall be fully responsible for all acts and omissions of its Sub-contractors and of persons and organizations directly or indirectly employed by them and of persons and organizations for whose acts any of them may be liable to the same extent that he is responsible for the acts and omissions of persons directly employed by him. Nothing in the Contract Documents shall create any contractual relationship between City and any sub-contractor or other person or organization having a direct contract with Contractor, nor shall it create any obligation on the part of City to pay or to see to the payment of any moneys due to any sub-contractor or other person, or organization, except as may otherwise be required by law.

GC - 07 - QUANTITIES - Contractor recognizes and agrees that the quantities shown on plans and Bid/Price Schedule are estimates only and may vary during actual construction. No change shall be made involving any departure from the general scheme of the Work and that no such change involving a material change in cost, either to the City or Contractor, shall be made, except upon written permission of the City. However, the Project Manager shall have the right to make minor alternations in the line, grade, plan, form or materials of the Work herein contemplated any time before the completion of the same. That if such alterations shall diminish the quantity of the Work to be done, such alterations shall not constitute a claim for damages or anticipated profits. That if such alterations increase the amount of the Work to be done, such increase shall be paid for according to the quantity actually performed and at the unit price or prices stipulated therefore in the Contract. The City shall, in all cases of dispute, determine the amount or quantity of the several kinds of Work which are to be paid for under this Contract, and shall decide all questions relative to the execution of the same, and such estimates and decisions shall be final and binding.

Any Work not herein specified, which might be fairly implied as included in the Contract, of which the City shall judge, shall be done by the Contractor without extra charge. However, such cost increases shall be authorized either by the Public Works Director or designee, or the City Commission based upon the purchasing threshold amounts provided for in Chapter 2 of the City of Fort Lauderdale's Code of Ordinances.

GC - 08 - NO ORAL CHANGES - Except to the extent expressly set forth in the Contract, no change in, or modification, termination or discharge of the Contract in any form whatsoever, shall be valid or enforceable unless it is in writing and signed by the parties charged, therewith or their duly authorized representative.

GC - 09 - PERMITS AND PROTECTION OF PUBLIC – Permits on file with the City and/or those permits to be obtained by the Contractor, shall be considered directive in nature, and will be considered a part of this Contract. A copy of all permits shall be given to the City and become part of the Contract Documents. Terms of permits shall be met prior to acceptance of the Work and release of the final payment.

Contractor shall secure all permits and licenses required for completing the Project. Contractor will obtain the necessary State, County, and City construction/work permits if required.

The Contractor shall comply with all applicable Codes, Standards, Specifications, etc. related to all aspects of the Project.

Where there are telephones, light or power poles, water mains, conduits, pipes or drains or other construction, either public or private, in or on the streets or alleys, the Work shall be so conducted that no interruption or delay will be caused in the operation or use of the same. Proper written notice shall be given to all affected parties prior to proceeding with the Work. The Contractor shall not be permitted to interfere with public travel and convenience by grading or tearing up streets indiscriminately, but the Work of constructing the various items in this contract shall proceed in an orderly, systematic and progressive manner.

GC - 10 - DISEASE REGULATIONS - The Contractor shall enforce all sanitary regulations and take all precautions against infectious diseases as the Project Manager may deem necessary. Should any infectious or contagious diseases occur among his employees, he shall arrange for the immediate removal of the employee from the Site and isolation of all persons connected with the Work.

GC - 11 - CONTRACTOR TO CHECK PLANS, SPECIFICATIONS, AND DATA - The Contractor shall verify all dimensions, quantities, and details shown on the plans, supplementary drawings, schedules, and shall notify the Project Manager of all errors, omissions, conflicts and discrepancies

found therein within three (3) working days of discovery. Failure to discover or correct errors, conflicts, or discrepancies shall not relieve the Contractor of full responsibility for unsatisfactory Work, faulty construction, or improper operation resulting therefrom nor from rectifying such condition at its own expense.

GC - 12 - MATERIALS AND WORKMANSHIP - All material shall be new and the workmanship shall, in every respect, be in conformity with approved modern practice and with prevailing standards of performance and quality. In the event of a dispute, the Project Manager's decision shall be final. Wherever the Plans, Specifications, Contract Documents, or the directions of the Project Manager are unclear as to what is permissible and/or fail to note the quality of any Work, that interpretation will be made by the Project Manager, which is in accordance with approved modern practice, to meet the particular requirements of the Contract.

GC - 13 - SAFEGUARDING MARKS - The Contractor shall safeguard all points, stakes, grade marks, monuments, and benchmarks made or established on the Work, bear the cost of re-establishing same if disturbed, or bear the entire expense of rectifying Work improperly installed due to not maintaining or protecting or for removing without authorization, such established points, stakes and marks. The Contractor shall safeguard all existing and known property corners, monuments and marks not related to the Work and, if required, shall bear the cost of having them re-established by a licensed Professional surveyor registered in the State of Florida if disturbed or destroyed during the course of construction.

GC - 14 - RESTROOM FACILITIES - Contractor shall provide portable toilet facilities for employee's use at a location within the Work site to be determined by the City.

GC - 15 - PROGRESS MEETINGS - Weekly Status meetings will be conducted with representatives from the City and the Contractor. Contractor shall budget time to participate in such meetings. A well-run Project should result in short meetings.

GC - 16 - ISSUE RESOLUTION - Should Contractor become engaged in a dispute with a resident or a City employee, the Contractor shall report the situation to the Project Manager immediately. It shall be mandatory that the City participate in any dispute resolution. Failure of Contractor personnel to notify the City shall obligate Contractor to replace the offending employee immediately if requested by the City.

GC - 17 - CITY SECURITY-CONTRACTOR AND SUBCONTRACTOR EMPLOYEE INFORMATION - Prior to commencing work, Contractor shall provide to the City a list of all personnel and sub-contractors on site. The list will include the name, address, birth date and driver's license number for all personnel. All personnel and subcontractors on site will have on their person a company photo ID during all stages of the construction. Contractor shall provide standard required personal information per current City procedures.

GC - 18 - POST-CONSTRUCTION SURVEY - The Contractor shall provide as-built survey, sealed and signed by a registered surveyor in the State of Florida, as a condition of final payment.

GC - 19 - KEY PERSONNEL - Contractor shall provide as part of the Work Plan, resumes for all key project personnel providing supervision and project management functions. Resumes shall include work history and years of experience performing this type of work.

GC - 20 - EXISTING UTILITY SERVICE - All existing utility service shall be maintained with a minimum of interruption at the expense of the Contractor.

GC - 21 - JOB DESCRIPTION SIGNS - Contractor, at Contractor's expense, shall furnish, erect, and maintain suitable weatherproof signs on jobs over \$100,000 containing the following information:

1. City Seal (in colors)
2. Project or Improvement Number
3. Job Description
4. Estimated Cost
5. Completion Date

Minimum size of sign shall be four feet high, eight feet wide and shall be suitably anchored. The entire sign shall be painted and present a pleasing appearance. Exact location of signs will be determined in the field. Two (2) signs will be required, one at each end of the job. All costs of this work shall be included in other parts of the work.

GC - 22 - FLORIDA EAST COAST RIGHT-OF-WAY - Whenever a City contractor is constructing within the Florida East Coast Railway Company's Right-of-Way, it will be mandatory that the contractor carry bodily injury and property damage insurance in amounts satisfactory to the Florida East Coast Company. This insurance requirement shall be verified by the contractor with the Florida East Coast Company prior to commencing work, and maintained during the life of the Contract.

GC - 23 - ACCIDENTS - The Contractor shall provide such equipment and facilities as are necessary and/or required, in the case of accidents, for first aide services to be provided to a person who may be injured during the project duration. The Contractor shall also comply with the OSHA requirements as defined in the United States Labor Code 29 CFR 1926.50.

In addition, the Contractor must report immediately to the Project Manager every accident to persons or damage to property, and shall furnish in writing full information, including testimony of witnesses regarding any and all accidents.

GC - 24 - SAFETY PRECAUTIONS - Contractor must adhere to the applicable environmental protection guidelines for the duration of a project. If hazardous waste materials are used, detected or generated at any time, the Project Manager must be immediately notified of each and every occurrence. The Contractor shall comply with all codes, ordinances, rules, orders and other legal requirements of public authorities (including OSHA, EPA, DERM, the City, Broward County, State of Florida, and Florida Building Code), which bear on the performance of the Work. The Contractor shall take the responsibility to ensure that all Work is performed using adequate safeguards, including but not limited to: proper safe rigging, safety nets, fencing, scaffolding, barricades, chain link fencing, railings, barricades, steel plates, safety lights, and ladders that are necessary for the protection of its employees, as well as the public and City employees. All riggings and scaffolding shall be constructed with good sound materials, of adequate dimensions for their intended use, and substantially braced, tied or secured to ensure absolute safety for those required to use it, as well as those in the vicinity. All riggings, scaffolding, platforms, equipment guards, trenching, shoring, ladders and similar actions or equipment shall be OSHA approved, as applicable, and in accordance with all Federal, State and local regulations.

GC - 25 - DUST PREVENTION - The Contractor shall, by means of a water spray, or temporary asphalt pavement, take all necessary precautions to prevent or abate a dust nuisance arising from dry weather or Work in an incomplete stage. All costs of this Work shall be included in the cost of other parts of the Work.

Should the Contractor fail to abate a dust nuisance the Project Manager may stop the Work until the issue is resolved to the City's satisfaction.

GC - 26 - SITE CLEANUP AND RESTORATION – The Contractor shall remove all debris and unused or discarded materials from the work site daily. Contractor shall clean the work site to remove all directional drilling "Driller's Mud" materials. No "Driller's Mud" residue shall be allowed to remain in

the soil or on the surface of the land or vegetation. All debris and drilling materials must be disposed of offsite at an approved location.

The Contractor shall promptly restore all areas disturbed that are outside the Project limits in equal or better condition at no additional cost to the City.

GC - 27 - COURTEOUS BEHAVIOR AND RESPECT FOR RESIDENTS AND PROPERTY – The Contractor and its employees, associates and sub-contractors shall maintain courteous behavior at all times and not engage in yelling, loud music, or other such activities. Contractor's employees shall not leave trash or other discarded items at the Work Site, especially on any private property. In the event complaints arise, Contractor shall immediately remove such offending employees from the project if requested to do so by the Project Manager. Contractor's employees shall not trespass on any private property unless necessary to complete the work but with prior permission from the owner.

Contractor shall notify and obtain permission from the residents 24 hours in advance when planning to work within the resident's property. In addition, Contractor shall notify the resident prior to entering their property to perform work or inspect/investigate the work site. Contractor shall not block residents' driveways unnecessarily. Contractor shall not park equipment on landscaped areas when the vehicle is not needed for the current construction activities. Contractor shall be responsible for repair and/or replacement of all damaged landscaping within 48 hours including repairing vehicle wheel impressions, irrigation systems, lighting systems, structures, or any other items of resident's property. Contractor shall not destroy, damage, remove, or otherwise negatively impact any landscaping within or outside the right-of-way without prior approval from the Project Manager.

GC - 28 - PLACING BARRICADES AND WARNING LIGHTS - The Contractor shall furnish and place, at Contractor's own expense, all barricades, warning lights, automatic blinker lights and such devices necessary to properly protect the work and vehicular and pedestrian traffic. Should the Contractor fail to erect or maintain such barricades, warning lights, etc., the Project Manager may, after 24 hours' notice to the Contractor, proceed to have such barricades and warning lights placed and maintained by City or other forces and all costs incurred thereof charged to the Contractor and may be retained by the City from any monies due, or to become due, to the Contractor. **TRAFFIC CONTROL** - The Contractor shall coordinate all Work and obtain, through the City's Transportation and Mobility Department, Broward County, Florida Department of Transportation, as applicable, any permits required to detour traffic or close any street before starting to work in the road.

All traffic control devices, flashing lights, signs and barricades shall be maintained in working condition at all times and conform to Manual of Uniform Traffic Control Devices (MUTCD), latest edition.

GC - 29 - COORDINATION - The Contractor shall notify all utilities, transportation department, etc., in writing, with a copy to the Project Manager before construction is started and shall coordinate its Work with them. The Contractor shall cooperate with the owners of any underground or overhead utility lines in their removal, construction and rearrangement operations in order that services rendered by these parties will not be unnecessarily interrupted.

The Contractor shall arrange its Work and dispose of its materials so as to not interfere with the operation of other contractors engaged upon adjacent work, and to join its Work to that of others in a proper manner, and to perform its Work in the proper sequence in relation to that of other contractors as may be directed by the Project Manager.

Each Contractor shall be responsible for any damage done by it or its agents to the work performed by another contractor.

GC - 30 - WATER - Bulk water used for construction, flushing pipelines, and testing shall be obtained from fire hydrants. Contractor shall make payment for hydrant meter at Treasury Billing Office, 1st Floor, City Hall, 100 N. Andrews Avenue. With the paid receipt, contractor can pick up hydrant meter at the utility location office. No connection shall be made to a fire hydrant without a meter connected.

GC - 32 - PROHIBITION AGAINST CONTRACTING WITH SCRUTINIZED COMPANIES - Subject to *Odebrecht Construction, Inc., v. Prasad*, 876 F.Supp.2d 1305 (S.D. Fla. 2012), *affirmed*, *Odebrecht Construction, Inc., v. Secretary, Florida Department of Transportation*, 715 F.3d 1268 (11th Cir. 2013), with regard to the “Cuba Amendment,” the Contractor certifies that it is not on the Scrutinized Companies with Activities in Sudan List or the Scrutinized Companies with Activities in the Iran Petroleum Energy Sector List, and that it does not have business operations in Cuba or Syria, as provided in Section 287.135, Florida Statutes (2023), as may be amended or revised. The Contractor certifies that it is not on the Scrutinized Companies that Boycott Israel List created pursuant to Section 215.4725, Florida Statutes (2023), as may be amended or revised, and that it is not engaged in a boycott of Israel. The City may terminate this Agreement at the City’s option if the Contractor is found to have submitted a false certification as provided under subsection (5) of Section 287.135, Florida Statutes (2023), as may be amended or revised, or been placed on the Scrutinized Companies with Activities in Sudan List or the Scrutinized Companies with Activities in the Iran Petroleum Energy Sector List or the Scrutinized Companies that Boycott Israel List created pursuant to Section 215.4725, Florida Statutes (2023), as may be amended or revised, or is engaged in a boycott of Israel or has been engaged in business operations in Cuba or Syria, as defined in Section 287.135, Florida Statutes (2023), as may be amended or revised.

By submitting a bid or response, the company, principals, or owners certify that it is not listed on the Scrutinized Companies with Activities in Sudan List or listed on the Scrutinized Companies with Activities in the Iran Petroleum Energy Sector List or is engaged in business operations in Cuba or Syria.

GC - 33 - USE OF FLORIDA LUMBER TIMBER AND OTHER FOREST PRODUCTS - In accordance with Florida Statute 255.20 (3), the City specifies that lumber, timber, and other forest products used for this Project shall be produced and manufactured in the State of Florida if such products are available and their price, fitness, and quality are equal. This requirement does not apply to plywood specified for monolithic concrete forms, if the structural or service requirements for timber for a particular job cannot be supplied by native species, or if the construction is financed in whole or in part from federal funds with the requirement that there be no restrictions as to species or place of manufacture.

The Bidder affirms by submitting a bid response to this solicitation that they will comply with section 255.20 (3) Florida Statutes.

GC - 34 - PUBLIC RECORDS/TRADE SECRETS/COPYRIGHT: The Proposer’s response to the Solicitation is a public record pursuant to Florida law, which is subject to disclosure by the City under the State of Florida Public Records Law, Florida Statutes Chapter 119.07 (“Public Records Law”). The City shall permit public access to all documents, papers, letters or other material submitted in connection with this Solicitation and the Contract to be executed for this Solicitation, subject to the provisions of Chapter 119.07 of the Florida Statutes.

Any language contained in the Bidder’s response to the Solicitation purporting to require confidentiality of any portion of the Bidder’s response to the Solicitation, except to the extent that certain information is in the City’s opinion a Trade Secret pursuant to Florida law, shall be void. If a Bidder submits any documents or other information to the City which the Bidder claims is Trade Secret information and exempt from Florida Statutes Chapter 119.07 (“Public Records Laws”), the Bidder shall clearly designate that it is a Trade Secret and that it is asserting that the document or

information is exempt. The Bidder must specifically identify the exemption being claimed under Florida Statutes 119.07. The City shall be the final arbiter of whether any information contained in the Bidder's response to the Solicitation constitutes a Trade Secret. The City's determination of whether an exemption applies shall be final, and the bidder agrees to defend, indemnify, and hold harmless the City and the City's officers, employees, and agent, against any loss or damages incurred by any person or entity as a result of the City's treatment of records as public records. In addition, the proposer agrees to defend, indemnify, and hold harmless the City and the City's officers, employees, and agents, against any loss or damages incurred by any person or entity as a result of the City's treatment of records as exempt from disclosure or confidential. Proposals purporting to be subject to copyright protection in full or in part will be rejected. The bidder authorizes the City to publish, copy, and reproduce any and all documents submitted to the City bearing copyright symbols or otherwise purporting to be subject to copyright protection.

EXCEPT FOR CLEARLY MARKED PORTIONS THAT ARE BONA FIDE TRADE SECRETS PURSUANT TO FLORIDA LAW, DO NOT MARK YOUR RESPONSE TO THE SOLICITATION AS PROPRIETARY OR CONFIDENTIAL. DO NOT MARK YOUR RESPONSE TO THE SOLICITATION OR ANY PART THEREOF AS COPYRIGHTED.

IF THE CONTRACTOR HAS QUESTIONS REGARDING THE APPLICATION OF CHAPTER 119, FLORIDA STATUTES (2023), TO THE CONTRACTOR'S DUTY TO PROVIDE PUBLIC RECORDS RELATING TO THIS AGREEMENT, CONTACT THE CUSTODIAN OF PUBLIC RECORDS AT:

Telephone Number: (954) 828-5002

Mailing Address: City Clerk's Office
One East Broward Blvd, Suite 444
Fort Lauderdale, FL 33301-1016

E-mail: prcontract@fortlauderdale.gov

Contractor shall:

1. Keep and maintain public records required by the City in order to perform the service.
2. Upon request from the City's custodian of public records, provide the City with a copy of the requested records or allow the records to be inspected or copied within a reasonable time at a cost that does not exceed the cost provided in Chapter 119, Florida Statutes (2023), as may be amended or revised, or as otherwise provided by law.
3. Ensure that public records that are exempt or confidential and exempt from public records disclosure requirements are not disclosed except as authorized by law for the duration of the contract term and following completion of this Agreement if the Contractor does not transfer the records to the City.
4. Upon completion of the Agreement, transfer, at no cost, to the City all public records in possession of the Contractor or keep and maintain public records required by the City to perform the service. If the Contractor transfers all public records to the City upon completion of this Agreement, the Contractor shall destroy any duplicate public records that are exempt or confidential and exempt from public records disclosure requirements. If the Contractor keeps and maintains public records upon completion of this Agreement, the Contractor shall meet all applicable requirements for retaining public records. All records stored electronically must be provided to the City, upon request from the City's

custodian of public records, in a format that is compatible with the information technology systems of the City.

SPECIAL CONDITIONS

01. PURPOSE

The City of Fort Lauderdale, Florida (City) is seeking bids from qualified bidders, for construction services in accordance with the terms, conditions, and specifications contained in this Invitation To Bid (ITB).

02. TRANSACTION FEES

The City uses the City's online strategic sourcing platform, INFOR (www.INFOR.com) to distribute and receive bids and proposals. There is no charge to vendors/contractors to register and participate in the solicitation process, nor will any fees be charged to the awarded contractor.

03. SUBMISSION OF BIDS

It is the sole responsibility of the Contractor to ensure that its bid is submitted electronically through the City's online strategic sourcing platform, www.INFOR.com, and that any bid security reaches the City of Fort Lauderdale, Procurement Services Division, 521 NE 4th Avenue, Fort Lauderdale, Florida 33301-1016, in a sealed envelope marked on the outside with the ITB solicitation number and Contractor's name, no later than the time and date specified in this solicitation. **PAPER BID SUBMITTALS WILL NOT BE. PLEASE SUBMIT YOUR BID RESPONSE ELECTRONICALLY.** In the event of any conflict or discrepancy between bid price(s) submitted by bidder electronically into the City's online strategic sourcing platform Unit Price field(s), any other forms or attachments (whether part of the City's solicitation documents or documents created and uploaded by the bidder, or another section/field of the System, the online unit price(s) **inputted** electronically into the System by the bidder shall govern.

04. INFORMATION OR CLARIFICATION

For information concerning procedures for responding to this solicitation, contact **Paulette Hemmings Turner, Senior Procurement Specialist, at (954) 828-5139** or email PTurner@fortlauderdale.gov. Such contact shall be for clarification purposes only.

For information concerning technical specifications please utilize the Question/Answer forum provided in the City's online strategic sourcing platform. Questions of a material nature must be received prior to the cut-off date specified in the solicitation. Material changes, if any, to the scope of services or bidding procedures will only be transmitted by written addendum. **Bidders please note:** No part of your bid can be submitted via FAX. No variation in price or conditions shall be permitted based upon a claim of ignorance. Submission of a bid will be considered evidence that the bidder has familiarized himself with the nature and extent of the work, and the equipment, materials, and labor required. The entire bid response must be submitted in accordance with all specifications contained in this solicitation. The questions and answers submitted in the City's online strategic sourcing platform shall become part of any contract that is created from this ITB.

05. CONTRACT TIME

5.1 The initial contract term shall commence upon date specified in the Notice To Proceed given by the City and shall expire **Two (2)** years from that date. The City reserves the right to extend the contract for **Two (2)** additional **One (1)** year terms, providing all terms,

conditions and specifications remain the same, both parties agree to the extension, and such extension is approved by the City.

- 5.2 The Contractor recognizes that **TIME IS OF THE ESSENCE**. The Work on each Task Order shall commence immediately upon the Contractor's receipt of an executed Task Order.
- 5.3 The Contractor shall mobilize to the project site and begin construction activities within **N/A** calendar days of receipt of the executed Task Order or by the specific date noted within the Task Order (whichever applies).
- 5.4 The Work on each Task Order shall be substantially completed within the timeframe agreed upon and noted in each executed Task Order.
- 5.5 The Work on each Task Order shall be finally completed on or before the Final Completion Date and ready for final payment in accordance with Final Completion Date agreed upon and noted in each executed Task Order.
- 5.6 In the event services are scheduled to end because of the expiration of this contract, the Contractor shall continue the service upon the request of the City as authorized by the awarding authority. The extension period shall not extend for more than two hundred and seventy (270) days beyond the expiration date of the existing contract. The Contractor shall be compensated for the service at the rate in effect when this extension clause is invoked by the City. No new Task Orders will be assigned after the contract's expiration nor will any new work be performed after that date.
- 5.7 The termination date for issuance of Task Orders shall be when the funds are depleted or 4 (four) years from effective date of the agreement, whichever comes first. All task orders issued before the contract termination must be completed under this contract even if contract has expired.

06. BID SECURITY

A certified check, cashier's check, bank officer's check or bid bond for **FIVE PERCENT (5%)** of the bid amount, made payable to the City of Fort Lauderdale, shall accompany each offer.

07. REQUIRED LICENSES/CERTIFICATIONS

Contractor must possess the following licenses/certifications to be considered for award:

A General Contractor's License issued by the State of Florida

Note: Contractor must have proper licensing and shall submit evidence of same with its bid response.

08. SPECIFIC EXPERIENCE REQUIRED

The following expertise is required to be considered for this Contract. Specific references attesting to this expertise must be submitted with the bid response.

The contractor shall have at least five (5) years' previous construction experience in asphalt mill and resurfacing, in the State of Florida within the last ten (10) years. Bidder shall submit proof of construction experience for a minimum of three (3) projects of similar scope and scale (or larger) and shall, for each project listed, identify location; dates of construction; project name and overall scope; scope of work that was self-performed by Contractor; and client's name, address, telephone number and e-mail address.

NOTE: REFERENCES SHALL NOT INCLUDE ONLY CITY OF FORT LAUDERDALE EMPLOYEES OR WORK PERFORMED FOR THE CITY. THE CITY IS ALSO INTERESTED IN WORK EXPERIENCE AND REFERENCES FROM ENTITIES OTHER THAN THE CITY OF FORT LAUDERDALE.

By signing this bid solicitation, contractor is affirming that this expertise will be provided for this Contract at no additional charge.

09. BID ALLOWANCE

Allowance for permits: Payments will be made to the contractor based on the actual cost of permits upon submission of paid permit receipts. The City shall not pay for other costs related to obtaining or securing permits.

The amount indicated is intended to be sufficient to cover the entire Project. If the City’s permit fees exceed the allowance indicated, the City will reimburse the contractor the actual amount of the City’s permit fees required for project completion.

Allowances	\$
Allowance for dumping	\$ 5,000.00
Maintenance of traffic allowance	\$ 3,000.00
Permit fees and testing allowance	\$ 5,000.00
TOTAL	\$13,000.00

10. INSURANCE REQUIREMENTS (See Article 10, Bonds and Insurance, of the Contract for details)

As a condition precedent to the effectiveness of this Agreement, during the term of this Agreement and during any renewal or extension term of this Agreement, Contractor, at its sole expense, shall provide insurance of such types and with such terms and limits as noted below. Providing proof of and maintaining adequate insurance coverage are material obligations of Contractor. Contractor shall provide the City a certificate of insurance evidencing such coverage. Contractor’s insurance coverage shall be primary insurance for all applicable policies, in respect to the City’s interests. The limits of coverage under each policy maintained by Contractor shall not be interpreted as limiting Contractor’s liability and obligations under this Agreement. All insurance policies shall be through insurers authorized or eligible to write policies in the State of Florida and possess an A.M. Best rating of A-, VII or better, subject to approval by the City’s Risk Manager.

The coverages, limits, and/or endorsements required herein protect the interests of the City, and these coverages, limits, and/or endorsements shall in no way be relied upon by Contractor for assessing the extent or determining appropriate types and limits of coverage to protect Contractor against any loss exposures, whether as a result of this Agreement or otherwise. The requirements contained herein, as well as the City’s review or acknowledgement, are not intended to and shall not in any manner limit or qualify the liabilities and obligations assumed by Contractor under this Agreement.

The following insurance policies and coverages are required:

Commercial General Liability

Coverage must be afforded under a Commercial General Liability policy with limits not less than:

- \$2,000,000 each occurrence and \$2,000,000 aggregate for Bodily Injury, Property Damage, and Personal and Advertising Injury
- \$2,000,000 each occurrence and \$2,000,000 aggregate for Products and Completed Operations
- Policy must include coverage for contractual liability and independent contractors.

The City, a Florida municipality, its officials, employees, and volunteers are to be covered as an additional insured with a CG 20 26 04 13 Additional Insured – Designated Person or Organization Endorsement or similar endorsement providing equal or broader Additional Insured Coverage with respect to liability arising out of activities performed by or on behalf of Contractor. The coverage shall contain no special limitation on the scope of protection afforded to the City, its officials, employees, and volunteers.

Pollution and Remediation Legal Liability (Hazardous Materials)

For the purpose of this section, the term “hazardous materials” includes all materials and substances that are designated or defined as hazardous by Florida or federal law or by the rules or regulations of Florida or any federal agency. If work being performed involves hazardous materials, Contractor shall procure and maintain any or all of the following coverages (which will be specifically addressed upon review of exposure):

Contractors Pollution Liability Coverage

For sudden and gradual occurrences and in an amount not less than \$1,000,000 per claim arising out of this Agreement, including but not limited to, all hazardous materials identified under the Agreement.

Business Automobile Liability

Coverage must be afforded for all Owned, Hired, Scheduled, and Non-Owned vehicles for Bodily Injury and Property Damage in an amount not less than \$1,000,000 combined single limit each accident.

If Contractor does not own vehicles, Contractor shall maintain coverage for Hired and Non-Owned Auto Liability, which may be satisfied by way of endorsement to the Commercial General Liability policy or separate Business Auto Liability policy.

Workers' Compensation and Employer's Liability

Coverage must be afforded per Chapter 440, Florida Statutes. Any person or entity performing work for or on behalf of the City must provide Workers' Compensation insurance. Exceptions and exemptions will be allowed by the City's Risk Manager, if they are in accordance with Florida Statute.

Contractor waives, and Contractor shall ensure that Contractor's insurance carrier waives, all subrogation rights against the City, its officials, employees, and volunteers for all losses or damages. The City requires the policy to be endorsed with WC 00 03 13 Waiver of our Right to Recover from Others or equivalent.

Contractor must be in compliance with all applicable State and federal workers' compensation laws, including the U.S. Longshore and Harbor Workers' Compensation Act and the Jones Act, if applicable.

Insurance Certificate Requirements

- a) Contractor shall provide the City with valid Certificates of Insurance (binders are unacceptable) no later than ten (10) days prior to the start of work contemplated in this Agreement.
- b) Contractor shall provide to the City a Certificate of Insurance having a thirty (30) day notice of cancellation; ten (10) days' notice if cancellation is for nonpayment of premium.
- c) In the event that the insurer is unable to accommodate the cancellation notice requirement, it shall be the responsibility of Contractor to provide the proper notice. Such notification will be in writing by registered mail, return receipt requested, and addressed to the certificate holder.
- d) In the event the Agreement term or any surviving obligation of Contractor following expiration or early termination of the Agreement goes beyond the expiration date of the insurance policy, Contractor shall provide the City with an updated Certificate of Insurance no later than ten (10) days prior to the expiration of the insurance currently in effect. The City reserves the right to suspend the Agreement until this requirement is met.
- e) The Certificate of Insurance shall indicate whether coverage is provided under a claims-made or occurrence form. If any coverage is provided on a claims-made form, the Certificate of Insurance must show a retroactive date, which shall be the effective date of the initial contract or prior.
- f) The City shall be covered as an Additional Insured on all liability policies, with the exception of Workers' Compensation.
- g) The City shall be granted a Waiver of Subrogation on Contractor's Workers' Compensation insurance policy.
- h) The title of the Agreement, Bid/Contract number, event dates, or other identifying reference must be listed on the Certificate of Insurance.

The Certificate Holder should read as follows:

City of Fort Lauderdale
100 N. Andrews Avenue
Fort Lauderdale, FL 33301

Contractor has the sole responsibility for all insurance premiums and shall be fully and solely responsible for any costs or expenses as a result of a coverage deductible, co-insurance penalty, or self-insured retention; including any loss not covered because of the application of such deductible, co-insurance penalty, self-insured retention, or coverage exclusion or limitation. Any costs for adding the City as an Additional Insured shall be at Contractor's expense.

If Contractor's primary insurance policy/policies do not meet the minimum requirements as set forth in this Agreement, Contractor may provide evidence of an Umbrella/Excess insurance policy to comply with this requirement.

Contractor's insurance coverage shall be primary insurance in respect to the City's interests, a Florida municipality, its officials, employees, and volunteers. Any insurance or self-insurance maintained by the City shall be non-contributory.

Any exclusion or provision in any insurance policy maintained by Contractor that excludes coverage required in this Agreement shall be deemed unacceptable and shall be considered breach of contract.

All required insurance policies must be maintained until the Agreement work has been accepted by the City, or until this Agreement is terminated, whichever is later. Any lapse in coverage may be

considered breach of contract. In addition, Contractor must provide to the City confirmation of coverage renewal via an updated certificate of insurance should any policies expire prior to the expiration of this Agreement. The City reserves the right to review, at any time, coverage forms and limits of Contractor's insurance policies.

Contractor shall provide notice of any and all claims, accidents, and any other occurrences associated with this Agreement to Contractor's insurance company or companies and the City's Risk Management office as soon as practical.

It is Contractor's responsibility to ensure that any and all of Contractor's independent contractors and subcontractors comply with these insurance requirements. All coverages for independent contractors and subcontractors shall be subject to all of the applicable requirements stated herein. Any and all deficiencies are the responsibility of Contractor. The City reserves the right to adjust insurance limits from time to time at its discretion with notice to Contractor.

NOTE: CITY PROJECT NUMBER, PROJECT NAME AND BID NUMBER MUST APPEAR ON EACH CERTIFICATE, AND THE CITY OF FORT LAUDERDALE MUST BE NAMED ON THE CERTIFICATE AS AN "ADDITIONAL INSURED" ON REQUIRED LIABILITY POLICIES.

A Sample Insurance Certificate shall be included with the bid to demonstrate the firm's ability to comply with insurance requirements. Provide a previous certificate or other evidence listing the insurance companies' names for all required coverage, and the dollar amounts of the coverage.

11. **PERFORMANCE AND PAYMENT BOND:** 100%

12. **NUMBER OF AWARDS ANTICIPATED**

The City may award up to one (1) Contract to responsive and responsible contractors providing the lowest bid amounts in sequential order. The selected contractors will receive Task Orders during the effective term of the contract. Each Task Order shall require surety bonds equal to 100% of the Task Order total. (See complete Performance bond requirements under Article 10 of the Sample Agreement.)

13. **CITY PROJECT MANAGER**

The Project Manager is hereby designated by the City as **Jean Examond whose address is 101 N.E. 3rd Avenue, 21st Floor, Fort Lauderdale, FL 33301, telephone number: (954) 828-4507, and e-mail address is JExamond@fortlauderdale.gov**. The Project Manager will assume all duties and responsibilities and will have the rights and authorities assigned to the Project Manager in the Contract Documents in connection with completion of the Work in accordance with this Agreement.

14. **LIQUIDATED DAMAGES** (See Article 16, *Liquidated Damages, of the Contract for details*)

Upon failure of the Contractor to complete the Work of an executed task order within the agreed upon and approved time for said Task Order, the Contractor shall pay to the City the sum of **Five Hundred Dollars (\$500.00)** for each and every calendar day that the completion of the Task Order is delayed beyond the time agreed upon for said Task Order, as fixed and agreed liquidated damages and not as a penalty, so long as the delay is caused by the Contractor. (See Article 16, Liquidated Damages Clause, of the Contract)

15. **PAYMENT** (See Article 7, *Payment, of the Contract for other details*)

The City shall make payment to the Contractor through utilization of the City's P-Card Program. The City has implemented a Purchasing Card (P-Card) Program utilizing both the VISA and MASTERCARD networks. Purchases from this contract will be made utilizing the City's Purchasing Card. Contractor will receive payment from the purchasing card in the same manner as other credit card purchases. Accordingly, Contractor must presently have the ability to accept these credit cards or take whatever steps necessary to implement the ability before the start of the contract term, or contract award by the City. All costs associated with the Contractor's participation in this purchasing program shall be borne by the Contractor. The City reserves the right to revise this program as necessary.

Payment Card Industry (PCI) Compliance

Contractor agrees to comply with all applicable state, federal and international laws, as well as industry best practices, governing the collection, access, use, disclosure, safeguarding and destruction of Protected Information.

Contractor and/or any subcontractor that handles credit card data must be, and remain, PCI compliant under the current standards and will provide documentation confirming compliance upon request by the City of Fort Lauderdale, failure to produce documentation could result in termination of the contract.

16. WORK SCHEDULE (including overtime hours):

Regular work hours: **8:00 am to 5:00 pm, Monday through Friday.**

City Inspector Hours: **8:00 am to 4:30 pm, Monday through Friday.**

Any inspection requested by the contractor outside those hours will be considered overtime to be paid by the Contractor.

17. INSPECTION OVERTIME COST: \$100/hr.

CITY OF FORT LAUDERDALE
CONSTRUCTION AGREEMENT

THIS Agreement made and entered into this _____ day of _____, 20___, by and between the City of Fort Lauderdale, a Florida municipal corporation ("City") and _____, a Florida _____ company/corporation ("Contractor"), ("Party" or collectively "Parties");

WHEREAS, the City desires to retain a contractor for the Project as expressed in its Invitation to Bid No. _____, Project Number _____, which was opened on _____; and

WHEREAS, the Contractor has expressed its willingness and capability to perform the necessary work to accomplish the Project;

NOW, THEREFORE, the City and the Contractor, in consideration of the mutual covenants and conditions contained herein and for other good and valuable consideration, the receipt and sufficiency is hereby acknowledged, agree as follows:

ARTICLE 1 – DEFINITIONS

Whenever used in this Agreement or in other Contract Documents, the following terms have the meanings indicated which are applicable to both the singular and plural forms:

- 1.1 Agreement – This written Agreement between the City and the Contractor covering the work to be performed including other Contract Documents that are attached to or incorporated in the Agreement.
- 1.2 Application for Payment – The form accepted by the City which is to be used by the Contractor in requesting progress or final payment and which is to include such supporting documentation as is required by the Contract Documents.
- 1.3 Approve – The word approve is defined to mean review of the material, equipment or methods for general compliance with design concepts and with the information given in the Contract Documents. It does not imply a responsibility on the part of the City to verify in every detail conformance with plans and specifications.
- 1.4 Bid – The offer or Bid of the Contractor submitted on the prescribed form setting forth the total prices for the Work to be performed.
- 1.5 Bid Documents – Advertisement for Invitation to Bids, the Instructions to Bidders, the Bid Form (with supplemental affidavits and sample agreements), the Contract Forms, General Conditions, the Supplementary Conditions, the Specifications, and the Plans, which documents all become an integral part of the Contract Documents.
- 1.6 Certificate of Substantial Completion - Certificate provided by the City certifying that all Work, excluding the punch list items, has been completed, inspected, and accepted by the City.

- 1.7 Change Order - A written document executed by both Parties ordering a change in the Contract Price or Contract Time or a material change in the Work.
- 1.8 City – The City of Fort Lauderdale, Florida including but not limited to its employees, agents, officials, representatives, contractors, subcontractors, volunteers, successors and assigns, with whom the Contractor has entered into the Agreement and for whom the Work is to be provided.
- 1.9 Contract Documents – The Contract Documents shall consist of this Agreement, Exhibits to this Agreement, Public Construction Bond, Performance Bond, Payment Bond and Certificates of Insurance, Notice of Award and Notice to Proceed, Task Orders, General Conditions, Special Conditions, Technical Specifications, Plans/Drawings, Addenda, Bid Form and supplement Affidavits and Agreements, all applicable provisions of State and Federal Law and any modification, including Change Orders or written amendments duly delivered after execution of Agreement, Invitation to Bid, Instructions to Bidders and Bid Bond, Contractor’s response to the City’s Invitation to Bid, Schedule of Completion, Schedule of Values, all amendments, modifications and supplements, work directive changes issued on or after the Effective Date of the Agreement, as well as any additional documents that are required to be submitted under the Agreement.

Permits on file with the City and/or those permits to be obtained shall be considered directive in nature and will be considered a part of this Agreement. A copy of all permits shall be given to the City for inclusion in the Contract Documents. Terms of permits shall be met prior to acceptance of the Work and release of the final payment.

- 1.10 Contract Price – The amount established in the bid submittal and award by the City’s City Commission, as may be amended by Change Order.
- 1.11 Contract Time – The number of calendar days stated in the Agreement for the completion of the Work. The dates on which the work shall be started and shall be completed as stated in the Notice to Proceed and each subsequent Task Order.
- 1.12 Contractor – The person, firm, company, or corporation with whom the City has entered into the Agreement, including but not limited to its employees, agents, representatives, contractors, subcontractors, their subcontractors and their other successors and assigns.
- 1.13 Day – A calendar day of twenty-four (24) hours ending at midnight.
- 1.14 Defective – When modifying the word “Work” refers to work that is unsatisfactory, faulty, or deficient, or does not conform to the Contract Documents or does not meet the requirements of any inspection, test or approval referred to in the Contract Documents, or has been damaged prior to the Project Manager’s recommendation of final payment.
- 1.15 Effective Date of the Agreement – The effective date of the Agreement shall be the date the City Commission approves the work.

- 1.16 Final Completion Date – The date the Task Order Work is completed, including completion of the final punch list, and delivered along with those items specified in the Contract Documents and is accepted by the City.
- 1.17 Hazardous Materials (HAZMAT) - Any solid, liquid, or gaseous material that is toxic, flammable, radioactive, corrosive, chemically reactive, or unstable upon prolonged storage in quantities that could pose a threat to life, property, or the environment defined in Section 101(14) of Comprehensive Environmental Response, Compensation and Liability Act of 1980 and in 40 CFR 300.6. Also defined by 49 CFR 171.8 as a substance or material designated by the Secretary of Transportation to be capable of posing an unreasonable risk to health, safety, and property when transported in commerce and which has been so designated.
- 1.18 Hazardous Substance - As defined by Section 101(14) of the Comprehensive Environmental Response, Compensation and Liability Act; any substance designated pursuant to Section 311(b) (2) (A) of the Clean Water Act; any element, compound, mixture, solution or substance designated pursuant to Section 102 identified under or listed pursuant to Section 3001 of the Solid Waste Disposal Act {but not including any waste listed under Section 307[a] of the Clean Water Act}; any hazardous air pollutant listed under Section 112 of the Clean Air Act; and any imminently hazardous chemical substance or mixture pursuant to Section 7 of the Toxic Substances Control Act. The term does not include petroleum, including crude oil or any fraction thereof, which is not otherwise specifically listed or designated as a hazardous substance in the first sentence of this paragraph, and the term does not include natural gas, natural gas liquids, liquefied natural gas, or synthetic gas usable for fuel (or mixtures of natural gas and such synthetic gas).
- 1.19 Hazardous Waste - Those solid wastes designated by OSHA in accordance with 40 CFR 261 due to the properties of ignitability, corrosivity, reactivity, or toxicity. Any material that is subject to the Hazardous Waste Manifest requirements of the EPA specified in 40 CFR Part 262.
- 1.20 Holidays - Those designated non-work days as established by the City Commission of the City of Fort Lauderdale.
- 1.21 Inspection – The term “inspection” and the act of inspecting as used in this Agreement is defined to mean the examination of construction to ensure that it conforms to the design concept expressed in the plans and specifications. This term shall not be construed to mean supervision, superintending and/or overseeing.
- 1.22 Notice of Award - The written notice by City to the Contractor stating that upon compliance by the Contractor with the conditions precedent enumerated therein, within the time specified that the City will sign and deliver this Agreement.
- 1.23 Notice to Proceed – A written notice given by the City to the Contractor authorizing the commencement of the activities identified in the notice or as described in the Contract Documents. Task Orders executed under this Contract will contain set timeframes in which the Task Order work shall be started and completed.

- 1.24 Plans - The official graphic representations of this Project that are a part of the Contract Documents and/or are referred to in the Contract Documents and/or Task Orders.
- 1.25 Premises (otherwise known as Site or Work Site) – means the land, buildings, facilities, etc. upon which the Work is to be performed.
- 1.26 Project – The construction project described in the Contract Documents, including the Work described therein, and each executed Task Order.
- 1.27 Project Manager - The employee of the City, or other designated individual who is herein referred to as the Project Manager, will assume all duties and responsibilities and will have the rights and authorities assigned to the Project Manager in the contract Documents in connection with completion of the Work in accordance with this Agreement. The Project Manager, or designee, shall be the authorized agent for the City unless otherwise specified.
- 1.28 Punch List - The City's list of Work yet to be done or be corrected by the Contractor, before the Final Completion date can be determined by the City.
- 1.29 Record Documents - A complete set of all specifications, drawings, addenda, modifications, shop drawings, submittals and samples annotated to show all changes made during the construction process.
- 1.30 Record Drawings or "As-Builts" - A set of drawings which show significant changes in the work made during construction and which are usually based on drawings marked up in the field and other data furnished by the Contractor. These documents will be signed and sealed by a Professional Engineer or a Professional Land Surveyor licensed in the State of Florida and employed by the Contractor at no cost to the City.
- 1.31 Substantially Completed Date – A date when written notice is provided by the City to the Contractor stating that the Work is substantially completed. If, at the time of inspection, it is determined the project is substantially completed, the City will also issue a letter of Substantial Completion along with a punch list of incomplete or deficient items to be completed prior to requesting a Final Completion inspection.
- 1.32 Task Order – A written agreement between the City and Contractor defining the particular scope of work to be performed under this Contract. When necessary, plans, permits and specifications may be provided by the City to clarify the requirements of the Task Order work. Each Task Order will contain a timeframe in which the work shall be completed in order for the Contractor to avoid being subjected to liquidated damages.
- 1.33 Work – The construction and services required by the Contract Documents required to be furnished under the Contract Documents and/or Task Order, whether completed or partially completed, and includes all labor, materials, equipment, and services provided or to be provided by Contractor to fulfill Contractor's obligations. The Work may constitute the whole or a part of the Project.

ARTICLE 2 – SCOPE OF WORK

- 2.1 The Contractor shall complete all Work as specified or indicated in the Contract Documents. The Project for which the Work under the Contract Documents may be the whole or only part is generally described as follows:

Annual Concrete and Paver Stones
ITB# 266, Project # P12518

- 2.2 All Work for the Project shall be constructed in accordance with the approved plans and Specifications. The Work generally involves:

PROJECT DESCRIPTION

This project is located Citywide, in the City of Fort Lauderdale. The work to be accomplished under this contract includes, but is not limited to, installation of an estimated 100,000 square yards of Type S-3 asphalt, 3000 square yards of FDOT Superpave 9.5 asphalt, 20 ADA access ramps, thermoplastic pavement marking, milling and leveling of existing asphalt pavement, and other items quantified in the proposal pages of this contract.

- 2.3 Within ten (10) days of the execution of this Agreement on each Task Order, the Contractor shall submit a Construction Schedule, Schedule of Values and a listing of all personnel employed. The general sequence of the Work shall be submitted by the Contractor and approved by the City before any work commences. The City reserves the right to issue construction directives necessary to facilitate the Work or to minimize any conflict with operations.

ARTICLE 3 – PROJECT MANAGER

- 3.1 The Project Manager is hereby designated by the City as **Jean Examond whose address is 101 N. E. 3rd Avenue, 21st Floor, Fort Lauderdale, FL 33301**, telephone number: **(954) 828-4507**, and email address is JExamond@fortlauderdale.gov. The Project Manager will assume all duties and responsibilities and will have the rights and authorities assigned to the Project Manager in the Contract Documents in connection with completion of the Work in accordance with this Agreement.

ARTICLE 4 – CONTRACT DOCUMENTS

The Contract Documents which comprise the entire Agreement between the City and Contractor are incorporated herein and attached to this Agreement, and consist of the following:

- 4.1 This Agreement.
- 4.2 Exhibits to this Agreement [Plans (sheets [] to [] inclusive)].
- 4.3 Public Construction Bond, Performance Bond, Payment Bond and Certificates of Insurance.
- 4.4 Notice of Award and Notice to Proceed.

- 4.5 General Conditions as amended by the Special Conditions.
- 4.6 Technical Specifications.
- 4.7 Plans/Drawings.
- 4.8 Addenda number _____ through _____, inclusive.
- 4.9 Bid Form and supplement Affidavits and Agreements.
- 4.10 All applicable provisions of State and Federal Law.
- 4.11 Invitation to Bid No. _____, Instructions to Bidders and Bid Bond.
- 4.12 Contractor's response to the City's Invitation to Bid No. _____, dated _____.
- 4.13 Schedule of Completion.
- 4.14 All amendments, modifications, supplements, Task Orders, change orders, and work directive changes, issued on or after the Effective Date of the Agreement.
- 4.15 Any Additional documents that are required to be submitted under the Agreement.
- 4.16 Permits on file with the City and or those permits to be obtained shall be considered directive in nature and will be considered a part of this Agreement.

In the event of any conflict between the documents or any ambiguity or missing specification or instruction, the following priority is established:

- a. Approved change orders, addenda or amendments.
- b. Specifications and Drawings.
- c. Special Conditions.
- d. General Conditions.
- e. This Agreement dated _____, and any attachments.
- f. Invitation to Bid No. _____, and the specifications prepared by the City.
- g. Contractor's response to the City's Invitation to Bid No. _____, dated _____.
- h. Schedule of Values.

i. Schedule of Completion.

If during the performance of the Work, Contractor finds a conflict, error or discrepancy in the Contract Documents, Contractor shall so report to the Project Manager, in writing, within five (5) calendar days, and before proceeding with the Work affected shall obtain a written interpretation or clarification from the City.

Any Work that may reasonably be inferred from the specifications or plans as being required to produce the intended result shall be supplied whether or not it is specifically called for. When words which have a well-known technical or trade meaning are used to describe Work, materials, or equipment, such works shall be interpreted in accordance with such meaning. Reference to standard specifications, manuals or codes of any technical society, organization or associations, or to the code of any governmental authority whether such reference be specific or implied, shall mean the latest standard specification, manual or code in effect as of the Effective Date of this Agreement, except as may be otherwise specifically stated. However, no provision of any referenced standard specification, manual or code (whether or not specifically incorporated by reference in the Contract Documents) shall change the duties and responsibilities of the City, the Contractor, or any of their agents or employees from those set forth in the Contract Documents.

ARTICLE 5 – CONTRACT TIME

- 5.1 The initial contract term shall commence upon the date of award by the City and shall expire Two (2) years from that date. The City reserves the right to extend the contract for Two (2) additional One (1) year terms, providing all terms, conditions and specifications remain the same, both parties agree to the extension, and such extension is approved by the City.
- 5.2 The Contractor recognizes that **TIME IS OF THE ESSENCE**. The Work on each Task Order shall commence immediately upon the Contractor's receipt of an executed Task Order.
- 5.3 The Contractor shall mobilize to the project site and begin construction activities upon receipt of the executed Task Order or by the specific date noted within the Task Order (whichever applies).
- 5.4 The Work on each Task Order shall be substantially completed within the timeframe agreed upon and noted in each executed Task Order.
- 5.5 The Work on each Task Order shall be finally completed on or before the Final Completion Date and ready for final payment in accordance with the Final Completion Date agreed upon and noted in each executed Task Order.
- 5.6 In the event services are scheduled to end because of the expiration of this contract, the Contractor shall continue the service upon the request of the City as authorized by the awarding authority. The extension period shall not extend for more than two hundred and seventy (270) days beyond the expiration date of the existing contract. The Contractor shall be compensated for the service at the rate in effect when this extension clause is invoked by the City. No new Task Orders will be assigned after the contract's expiration nor will any new work be performed after that date.

ARTICLE 6 – CONTRACT PRICE

- 6.1 City shall pay Contractor for performance of the Work in accordance with Article 7 based on the value of the executed Task Orders issued for this Contract.
- 6.2 The Parties expressly agree that the Contract Price is a unit price contract, in accordance with those line items' unit prices contained in the Contractor's ITB response and incorporated by reference herein. The quantities of work in the Proposal are a rough approximation only. The total quantities of work to be included in this Contract and actually performed may vary widely depending upon the work that will be authorized by the City through Task Orders during the period of this Contract.
- 6.3 The Contract Price constitutes the total compensation payable to Contractor for the cumulative value of each executed Task Order. All duties, responsibilities and obligations assigned to or undertaken by Contractor shall be at Contractor's expense without change in the Contract Price.

ARTICLE 7 – PAYMENT

- 7.1 Contractor shall submit Applications for Payment for each executed Task Order, in accordance with the Contract Documents. Applications for Payment will be processed by the City as provided for in the General Conditions.
- 7.2 Progress Payments. City shall make progress payments on account of the Contract Price on the basis of Contractor's executed Task Order and corresponding Application for Payment, which shall be submitted by the Contractor between the first (1st) and the tenth (10th) day after the end of each calendar month for which payment is requested, or upon completion of the work of the executed Task Order. All progress payments will be made on the basis of the progress of the Work completed on the executed Task Order.
- 7.3 Prior to Final Completion of each Task Order, progress payments will be made in an amount equal to ninety-five percent (95%) of the value of Work completed less in each case the aggregate of payments previously made.
- 7.4 Final Payment: Upon final completion of the Work under each Task Order, the City shall pay Contractor an amount sufficient to increase total payments to one hundred percent (100%) of the Contract Price. However, not less than five percent (5%) of the Contract Price shall be retained until Record Drawings (as-builts), specifications, addenda, modifications and shop drawings, including all manufacturers' instructional and parts manuals are delivered to and accepted by the City.
- 7.5 City may withhold, in whole or in part, payment to such extent as may be necessary to protect itself from loss on account of:
 - 7.5.1 Defective work not remedied.
 - 7.5.2 Claims filed or reasonable evidence indicating probable filing of claims by other parties against Contractor or City because of Contractor's performance.
 - 7.5.3 Failure of Contractor to make payments properly to subcontractors or for material or labor.
 - 7.5.4 Damage to another contractor not remedied.

- 7.5.5 Liquidated damages and costs incurred by Consultant for extended construction administration, if applicable.
- 7.5.6 Failure of Contractor to provide any and all documents required by the Contract Documents.

When the above grounds are removed or resolved satisfactory to the Project Manager, payment shall be made in whole or in part.

- 7.6 The City shall make payment to the Contractor in accordance with the Florida Prompt Payment Act, Section 218.70, Florida Statutes (2023), as amended or revised, provided however, complete and error free pay application is submitted.
- 7.7 The City shall make payment to the Contractor through utilization of the City's Purchasing Card (P-Card) Program. The City has implemented a P-Card Program utilizing the MASTERCARD and VISA networks. Purchases from this contract will be made utilizing the City's P-Card. Contractor will receive payment from the purchasing card in the same manner as other credit card purchases. Accordingly, Contractor must presently have the ability to accept these credit cards or take whatever steps necessary to implement the ability before the start of the contract term, or contract award by the City. All costs associated with the Contractor's participation in this purchasing program shall be borne by the Contractor. The City reserves the right to revise this program as necessary.

7.8 Payment Card Industry (PCI) Compliance

Contractor agrees to comply with all applicable state, federal and international laws, as well as industry best practices, governing the collection, access, use, disclosure, safeguarding and destruction of Protected Information.

Contractor and/or any subcontractor that handles credit card data must be, and remain, PCI compliant under the current standards and will provide documentation confirming compliance upon request by the City of Fort Lauderdale. Failure to produce documentation could result in termination of the contract.

ARTICLE 8 – CONTRACTOR'S REPRESENTATIONS

In order to induce the City to enter into this Agreement, and prior to agreeing to and execution of each Task Order under this Contract, Contractor makes the following representations upon which the City has relied:

- 8.1 Contractor is qualified in the field of public construction and in particular to perform the Work and services set forth in this Agreement.
- 8.2 Contractor has visited the Work Site, has conducted extensive tests, examinations and investigations and represents and warrants a thorough familiarization with the nature and extent of each Task Order and associated Contract Documents, the Work, locality, soil conditions, water table condition, moisture conditions and all year-round local weather and climate conditions (past and present), and examination and investigations conducted by Contractor and the Contractor's experts, has determined that no conditions exist that would in any manner affect the Proposed Price and that the project

can be completed for the Proposed Price submitted within the Contract Time as defined in each Task Order.

Furthermore, Contractor warrants and confirms that it is totally familiar with, understands and obligates Contractor to comply with all federal, state and local laws, ordinances, rules, regulations and all market conditions that affect or may affect the cost and price of materials and labor needed to fulfill all provisions of this Agreement or that in any manner may affect cost, progress or performance of the Work.

- 8.3 The Contractor has satisfied itself as to the nature and location of the Work under each Task Order, the general and local conditions of the Project, particularly those bearing upon availability of transportation, disposal, handling and storage of materials, availability of labor, water, electric power, and roads, the conformation and conditions at the ground based on City provided reports, the type of equipment and facilities needed preliminary to and during the prosecution of the Task Order and all other matters which can in any way affect the Work, schedule, or the cost thereof under the Task Order and associated Contract Documents.
- 8.4 The Contractor has also studied on its own, investigations and tests of subsurface and latent physical conditions at the site or otherwise affecting cost, progress or performance of the Works, and finds and has further determined that no conditions exist that would in any manner affect the Proposed Price and that the Task Order Work can be completed for the Proposed Price submitted and within the timeframe agreed upon within each Task Order.
- 8.5 Contractor has made or cause to be made, examinations, investigations, tests and studies of such reports and related data in addition to those referred to in Paragraphs 8.2, 8.3 and 8.4 above as it deems necessary for the performance of the Work under each Task Order at the Contract Prices, within the Contract Time of the specified Task Order and in accordance with the other terms and conditions of the Contract Documents; and no additional examinations, investigations, tests, reports or similar data are, or will be, required by Contractor for such purposes.
- 8.6 Contractor has correlated the results of all such observations, examinations, investigations, tests, reports and data related to each Task Order with the terms and conditions of the Contract Documents.
- 8.7 Contractor has given City written notice of all conflicts, errors or discrepancies that it has discovered in the Contract Documents related to each Task Order and the written resolution by City is acceptable to the Contractor.
- 8.8 Labor
- 8.8.1 The Contractor shall provide competent, suitable qualified personnel to survey and lay out the Work and perform construction as required by the Contract Documents for each Task Order. The Contractor shall at all times maintain good discipline and order at the site.
- 8.8.2 The Contractor shall, at all times, have a competent superintendent, capable of reading and thoroughly understanding the drawings and specifications, as the

Contractor's agent on the Work, who shall, as the Contractor's agent, supervise, direct and otherwise conduct the Work under each Task Order.

8.8.3 The Contractor shall designate the superintendent on the job to the City, in writing, immediately after receipt of each Task Order. The Contractor understands and agrees that the superintendent's physical presence on the job site is indispensable to the successful completion of the Work. If the superintendent is frequently absent from the job site, the Project Manager may deliver written notice to the Contractor to stop work or terminate the Agreement in accordance with Article 17.

8.8.4 Where required and necessary, the Contractor shall, at all times, have a certified "competent person" assigned to the job site for each Task Order. The Contractor shall assign personnel to the job site that have successfully completed training programs related to trench safety, confined space work, and maintenance of traffic (MOT). Personnel certified by the International Municipal Signal Associations with Florida Department of Transportation qualifications are required relative to MOT. Any other certifications that may be required by applicable permitting agencies for the Work assigned under each Task Order shall also be complied with by the Contractor. Failure to pursue the Work with the properly certified supervisory staff may result in a notice to stop work on a Task Order or terminate the Agreement in accordance with Article 17.

8.9 Materials:

8.9.1 The Contractor shall furnish all materials, equipment, labor, transportation, construction equipment and machinery, tools, appliances, fuel, power, light, heat, telephone, water and sanitary facilities and all other facilities and incidentals necessary for the execution, testing, initial operation and completion of Work under each Task Order.

8.9.2 All materials and equipment shall be of good quality and new, except as otherwise provided in the Contract Documents. Suppliers shall be selected and paid by the Contractor; the City reserves the right to approve all suppliers and materials.

8.10 Work Hours: Except in connection with the safety or protection of persons, or the Work, or property at the site or adjacent thereto, and except as otherwise indicated in the Supplementary Conditions, all work at the site shall be performed during regular working hours between 8 a.m. and 5:00 p.m., Monday through Friday.

Unless approved by the City in advance, the Contractor will not perform work on Saturday, Sunday or any legal holiday (designated by the City of Fort Lauderdale) without the Project Manager's written consent at least seventy-two (72) hours in advance of starting such work. For any overtime inspection required by City personnel, the Contractor shall pay for the additional charges to the City with respect to such overtime work. Such additional charges shall be a subsidiary obligation of the Contractor and no extra payment shall be made to the Contractor for overtime work. **It shall be noted that the City's Inspector work hours are from 8:00 a.m. to 4:30 p.m., Monday through Friday, and any work requiring inspection oversight being performed outside of this timeframe shall be paid for by the Contractor as Inspector overtime at a rate of \$100.00 per hour.** The cost to the Contractor to reimburse the City for

overtime inspection is established at direct-labor and overtime costs for each person or inspector required. Incidental overtime costs for engineering, testing and other related services will also be charged to the Contractor at the actual rate accrued.

8.11 Patent Fee and Royalties: The Contractor shall pay all license fees and royalties and assume all costs incident to the use in the performance of the Work or the incorporation in the Work, or any invention, design, process, product or device which is the subject of patent rights or copyrights held by others. The Contractor hereby expressly binds itself to indemnify and hold harmless the City from all such claims and fees and from any and all suits and action of every name and description that may be brought against City on account of any such claims, fees, royalties, or costs for any such invention or patent, and from any and all suits or actions that may be brought against said City for the infringement of any and all patents or patent rights claimed by any person, firm corporation or other entity.

8.12 Permits: The Contractor shall obtain and pay for all permits and licenses. There shall be no allowance for Contractor markup, overhead or profit for permits and licenses.

The Contractor shall pay all government charges which are applicable at the time of opening of proposals. It shall be the responsibility of the Contractor to secure and pay for all necessary licenses and permits of a temporary nature necessary for the prosecution of Work.

8.13 Law and Regulations: The Contractor shall give all notices and comply with all laws, ordinances, rules and regulations applicable to the Work. If the Contractor observes that the specifications or plans are in conflict, the Contractor shall give the Project Manager prompt written notice thereof within five (5) calendar days, and any necessary changes shall be adjusted by any appropriate modifications. If the Contractor performs any work knowing or having reason to know that it is contrary to such laws, ordinances, rules, standards, specifications and regulations, and without such notice to the Project Manager, the Contractor shall bear all costs arising therefrom.

8.14 Taxes: The Contractor shall pay all sales, consumer, use and other similar taxes required to be paid by him in accordance with the laws of the City of Fort Lauderdale, County of Broward, and the State of Florida.

8.15 Contractor Use of Premises: The Contractor shall confine construction equipment, the storage of materials and equipment and the operations of workmen to areas permitted by law, ordinances, permits and/or the requirements of the Contract Documents, and shall not unreasonably encumber the premises with construction equipment or other materials or equipment.

The Contractor shall not enter upon private property for any purpose without first securing the permission of the property owner in writing and furnishing the Project Manager with a copy of said permission. This requirement will be strictly enforced, particularly with regard to such vacant properties as may be utilized for storage or staging by the Contractor.

The Contractor shall conduct its work in such a manner as to avoid damage to adjacent private or public property. Any damage to existing structures of work of any kind, including permanent reference markers or property corner markers, or the interruption

of a utility service, shall be repaired or restored promptly at no expense to the City or property owner.

The Contractor will preserve and protect all existing vegetation such as trees, shrubs and grass on or adjacent to the site which do not reasonably interfere with the construction, as determined by the Project Manager. The Contractor will be responsible for repairing or replacing any trees, shrubs, lawns and landscaping that may be damaged due to careless operation of equipment, stockpiling of materials, tracking of grass by equipment or other construction activity. The Contractor will be liable for, or will be required to replace or restore at no expense to the City, all properties and areas not protected or preserved as may be required that is destroyed or damaged.

During the progress of the Work, the Contractor shall keep the premises free from accumulation of waste materials, rubbish and debris resulting from the Work. At the completion of the Work, the Contractor shall remove all waste materials, rubbish and debris from and about the premises as well as all tools, appliances, construction equipment and machinery, and surplus materials and shall leave the site clean and ready for occupancy by the City. The Contractor shall restore to their original condition those portions of the site not designated for alteration by the Contract Documents at no cost to the City.

8.16 Project Coordination: The Contractor shall provide for the complete coordination of the construction effort. This shall include, but not necessarily be limited to, coordination of the following:

8.16.1 Flow of material and equipment from suppliers.

8.16.2 The interrelated work with affected utility companies.

8.16.3 The interrelated work with the City where tie-ins to existing facilities are required.

8.16.4 The effort of independent testing agencies.

8.16.5 Notice to affected property owners as may be directed by the Project Manager.

8.16.6 Coordination with and scheduling of all required inspections from all permitting agencies.

8.17 Project Record Documents and Final As-Builts (Record Drawings): Contractor shall be responsible for maintaining up-to-date redline as-built drawings, on site, at all times during construction. All as-built information shall be surveyed and verified by a professional land surveyor registered in the State of Florida. Contractor shall provide the City with a minimum of three (3) sets of signed and sealed record drawings (Final As-builts) and a CD of the electronic drawing files created in AutoCAD 2014 or later. All costs associated with survey work required for construction layout and as-built preparation shall be the responsibility of the Contractor.

8.18 Safety and Protection:

8.18.1 The Contractor shall be responsible for initiating, maintaining and supervising all safety precautions and programs in connection with the Work. The Contractor shall take all necessary precautions for the safety of, and shall provide the necessary protection to prevent damage, injury or loss to:

8.18.1.1 All employees working on the project and other persons who may be affected thereby.

8.18.1.2 All the Work and all materials or equipment to be incorporated therein, whether in storage on or off the site.

8.18.1.3 Other property at the site or adjacent thereto, including trees, shrubs, lawns, walks, pavements, roadways, structures and utilities not designated for removal, relocation or replacement in the course of construction.

8.18.2 The Contractor shall comply with all applicable laws, ordinances, rules, regulations and orders of any public body having jurisdiction for the safety of persons or property or to protect them from damage, injury or loss; and shall erect and maintain all necessary safeguards for such safety and protection. The Contractor shall notify owners of adjacent property and utilities when execution of the Work may affect them at least seventy-two (72) hours in advance (unless otherwise required). All damage, injury or loss to any property caused, directly or indirectly, in whole or in part by the Contractor, any subcontractor or anyone directly or indirectly employed by any of them or anyone for whose acts any of them may be liable, shall be remedied by the Contractor. The Contractor's duties and responsibilities for safety and protection of the Work shall continue until such time as all the Work is completed and accepted by the City.

8.19 Emergencies: In emergencies affecting the safety or protection of persons or the Work or property at the site or adjacent thereto, the Contractor, without special instruction or authorization from the City, is obligated to act to prevent threatened damage, injury or loss. The Contractor shall give the Project Manager prompt written notice of any significant changes in the Work or deviations from the Contract Documents caused thereby.

8.20 Risk of Loss: The risk of loss, injury or destruction shall be on the Contractor until acceptance of the Work by the City. Title to the Work shall pass to the City upon acceptance of the Work by the City.

8.21 Environmental: The Contractor has fully inspected the Premises and agrees, except as to the presence of any asbestos, to accept the Premises in an "as is" physical condition, without representation or warranty by the City of any kind, including, without limitation, any and all existing environmental claims or obligations that may arise from the presence of any "contamination" on, in or about the Premises. Further, Contractor and all entities claiming by, through or under the Contractor, releases and discharges the City, from any claim, demand, or cause of action arising out of or relating to the Contractor's use, handling, storage, release, discharge, treatment, removal, transport, decontamination, cleanup, disposal and/or presence of any hazardous substances including asbestos on, under, from or about the Premises. The Contractor shall have no liability for any pre-existing claims or "contamination" on the Premises.

The Contractor shall not use, handle, store, discharge, treat, remove, transport, or dispose of Hazardous Substances including asbestos at, in, upon, under, to or from the Premises until receipt of instructions from the City. At such time, a City approved Change Order, which shall not include any profit, shall authorize the Contractor to perform such services.

The Contractor shall immediately deliver to the Project Manager complete copies of all notices, demands, or other communications received by the Contractor from any governmental or quasi-governmental authority or any insurance company or board of fire underwriters or like or similar entities regarding in any way alleged violations or potential violations of any Environmental Law or otherwise asserting the existence or potential existence of any condition or activity on the Premises which is or could be dangerous to life, limb, property, or the environment.

For other and additional consideration, the Contractor hereby agrees, at its sole cost and expense, to indemnify and protect, defend, and hold harmless the City and its respective employees, agents, officials, officers, representatives, contractors and subcontractors, successors, and assigns (hereafter the "City") from and against any and all claims, demands, losses, damages, costs, expenses, including but not limited to mitigation, restoration, and natural restoration expenses, liabilities, assessments, fines, penalties charges, administrative and judicial proceedings and orders, judgments, causes of action, in law or in equity, remedial action requirements and/or enforcement actions of any kind (including, without limitation, attorneys' fees and costs) directly or indirectly arising out of or attributable to, in whole or in part, the Contractor's use, handling, storage, release, threatened release, discharge, treatment, removal, transport, decontamination, cleanup, disposal and/or presence of a Hazardous Substance (excluding asbestos) on, under, from, to or about the Premises or any other activity carried on or undertaken on or off the Premises by the Contractor or its employees, agents or subcontractors, in connection with the use, handling, storage, release, threatened release, discharge, treatment, mitigation, natural resource restoration, removal, transport, decontamination, cleanup, disposal and/or presence or any Hazardous Substance including asbestos located, transported, or present on, undue, from, to, or about the Premises. This indemnity is intended to be operable under 42 U.S.C. Section 9607, as amended or revised, and any successor section.

The scope of the indemnity obligations includes, but is not limited to: (a) all consequential damages; (b) the cost of any required or necessary repair, cleanup, or detoxification of the applicable real estate and the preparation and implementation of any closure, remedial or other required plan, including without limitation; (i) the costs of removal or remedial action incurred by the United States government or the State of Florida or response costs incurred by any other person, or damages from injury to destruction of, or loss of, natural resources, including the cost of assessing such injury, destruction, or loss, incurred pursuant to the Comprehensive Environmental Response, Compensation and Liability Act, as amended; (ii) the clean-up costs, fines, damages, or penalties incurred pursuant to any applicable provisions of Florida law; and (iii) the cost and expenses of abatement, correction or cleanup, fines, damages, response costs, or penalties which arise from the provisions of any other statute, law, regulation, code ordinance, or legal requirement state or federal; and (c) liability for personal injury or property damage arising under any statutory or common law tort theory, including damages assessed for the maintenance of a public private nuisance, response costs, or for the carrying on of an abnormally dangerous activity.

8.22 No Extended Damages : For other and additional good and valuable consideration the receipt and sufficiency of which is hereby acknowledged, the Contractor covenants and agrees that in the event of any delay of construction or for any other reason or allegation or claim, and notwithstanding the reason of the delay, reason, claim or allegation or who caused them or the construction delay or whether they were caused by the City, that

there will be no entitlement to Contractor to or for any direct or indirect financial damages or losses for extended corporate overhead impact, extended project overhead impacts, project support services, mobilization or demobilization or by whatever other label or legal concept or theory and types of names or labels or basis such claims may have, or any business damages or losses of whatever type or nature, and Contractor hereby waives any right to make any such claim or claims. This provision will have application and effect when construction delays are anticipated and agreed upon by both the City and the Contractor.

- 8.23 No Liens: If any subcontractor, supplier, laborer, or materialmen of Contractor or any other person directly or indirectly acting for or through Contractor files or attempts to file a mechanic's or construction lien against the real property on which the Work is performed or any part or against any personal property or improvements or claim against any monies due or to become due from the City to Contractor or from Contractor to a subcontractor, for or on account of any work, labor, services, material, equipment, or other items furnished in connection with the Work or any Change Order, Contractor agrees to satisfy, remove, or discharge such lien or claim at its own expense by bond, payment, or otherwise within twenty (20) days of the filing or from receipt of written notice from the City.

Additionally, until such time as such lien or claim is satisfied, removed or discharged by Contractor, all monies due to Contractor, or that become due to Contractor before the lien or claim is satisfied, removed or otherwise discharged, shall be held by City as security for the satisfaction, removal and discharge of such lien and any expense that may be incurred while obtaining such. If Contractor shall fail to do so, City shall have the right, in addition to all other rights and remedies provided by this Agreement or by law, to satisfy, remove, or discharge such lien or claim by whatever means City chooses at the entire and sole cost and expense of Contractor which costs and expenses shall, without limitation, include attorney's fees, litigation costs, fees and expenses and all court costs and assessments.

- 8.24 Weather Emergencies: Upon issuance of a hurricane watch by the National Weather Service, the Contractor shall submit to the City a plan to secure the work area in the event a hurricane warning is issued. The plan shall detail how the Contractor will secure the Premises, equipment and materials in a manner as to prevent damage to the Work and prevent materials and equipment from becoming a hazard to persons and property on and around the Premises. The plan shall include a time schedule required to accomplish the hurricane preparations and a list of emergency contacts that will be available, and in the City before, during and immediately after the storm.

Upon issuance of a hurricane warning by the National Weather Service, if the Contractor has not already done so, the Contractor shall implement its hurricane preparedness plan. Cost of development and implementation of the hurricane preparedness plan shall be considered as incidental to construction. Cost of any clean up and rework required after the storm will be considered normal construction risk within Florida and shall not entitle the Contractor to any additional compensation. Contractor shall be entitled to request an extension in time for completion of the Work, in accordance with the provisions of Article 15 of this Agreement, equal to the time it is shut down for implementation of the preparedness plan, the duration of the storm and a reasonable period to restore the Premises.

- 8.25 Force Majeure: No Party shall hold the other responsible for damages or for delays in performance caused by force majeure, acts of God, or other acts or circumstances beyond the control of the other Party or that could not have been reasonably foreseen and prevented. For this purpose, such acts or circumstances shall include, but not be limited to weather conditions affecting performance, floods, epidemics, pandemics, war, act of Governmental Authority, state of emergency, riots, strikes, lockouts, or other industrial disturbances, or protest demonstrations. Should such acts or circumstances occur, the Parties shall use their best efforts to overcome the difficulties arising therefrom and to resume the Work as soon as reasonably possible with the normal pursuit of the Work.

Inclement weather, continuous rain for less than three (3) days or the acts or omissions of subcontractors, third-party contractors, materialmen, suppliers, or their subcontractors, shall not be considered acts of force majeure.

No Party shall be liable for its failure to carry out its obligations under the Agreement during a period when such Party is rendered unable by force majeure to carry out its obligation, but the obligation of the Party or Parties relying on such force majeure shall be suspended only during the continuance of the inability and for no longer period than the unexpected or uncontrollable event.

The Contractor further agrees and stipulates, that its right to excuse its failure to perform by reason of force majeure shall be conditioned upon giving written notice of its assertion that a Force Majeure delay has commenced within ninety-six (96) hours after such an occurrence. The Contractor shall use its reasonable efforts to minimize such delays. The Contractor shall promptly provide an estimate of the anticipated additional time required to complete the Project.

- 8.26 Participation by Disadvantaged Business Enterprises in Department of Transportation Financial Assisted Contracts: The recipient shall not discriminate on the basis of race, color, national origin, or sex in the award and performance of any DOT-assisted contract or in the administration of its DBE program or the requirements of 49 CFR Part 26. The recipient shall take all necessary and reasonable steps under 49 CFR Part 26 to ensure nondiscrimination in the award and administration of DOT-assisted contracts. The recipient's DBE program, as required by 49 CFR Part 26 and as approved by DOT, is incorporated by reference in this Agreement. Implementation of this program is a legal obligation and failure to carry out its terms shall be treated as a violation of this Agreement. Upon notification to the recipient of its failure to carry out its approved program, the Department may impose sanctions as provided for under Part 26 and may, in appropriate cases, refer the matter for enforcement under 18 U.S.C. 1001 and/or the Program Fraud Civil Remedies Act of 1986 (31 U.S.C. 3801 *et seq.*).

Additionally, the Contractor assures that it, the sub-recipient or its subcontractors shall not discriminate on the basis of race, color, national origin, or sex in the performance of this Agreement. The Contractor shall carry out applicable requirements of 49 CFR Part 26 in the award and administration of DOT-assisted contracts. Failure by the Contractor to carry out these requirements is a material breach of this Agreement, which may result in the termination of this Agreement or such other remedy as the recipient deems appropriate. This additional language must be included in each subcontract the prime Contractor signs with a subcontractor.

ARTICLE 9 – CITY’S RESPONSIBILITIES

- 9.1 The City shall furnish the data required of the City under the Contract Documents promptly and shall make payments to the Contractor promptly after they are due as provided in Article 7.
- 9.2 The City shall provide public rights-of-way and easement, where available, for the installation of conduits, transformers pads and related appurtenances only.
- 9.3 Technical Clarifications and Interpretations:
- 9.3.1 The City shall issue, with reasonable promptness, such written clarifications or interpretations of the Contract Documents as it may determine necessary, which shall be consistent with or reasonably inferable from the overall intent of the Contract Documents. Should the Contractor fail to request interpretation of questionable items in the Contract Documents, the City shall not entertain any excuse for failure to execute the Work in a satisfactory manner.
- 9.3.2 The City shall interpret and decide matters concerning performance under the requirements of the Contract Documents, and shall make decisions on all claims, disputes or other matters in question. Written notice of each claim, dispute or other matter will be delivered by claimant to the other Party but in no event later than five (5) days after the occurrence of event, and written supporting data will be submitted to the other Party within five (5) days after such occurrence. All written decisions of the City on any claim or dispute will be final and binding.
- 9.4 The Contractor shall perform all Work to the reasonable satisfaction of the City in accordance with the Contract Documents. In cases of disagreement or ambiguity, the City shall decide all questions, difficulties, and disputes of whatever nature, which may arise under or by reason of this Agreement or the quality, amount and value of the Work, and the City’s decisions on all claims, questions and determination are final.
- 9.5 Cancellation For Unappropriated Funds: The obligation of the City for payment to a Contractor is limited to the availability of funds appropriated in a current fiscal period, and continuation of the Agreement into a subsequent fiscal period is subject to appropriation of funds, unless otherwise authorized by law.

ARTICLE 10 – BONDS AND INSURANCE

- 10.1 Public Construction and Other Bonds: The Contractor shall furnish Public Construction or Performance and Payment Bonds (“Bond”), in an amount equal to 100% of the value of each Task Order issued as security for the faithful performance and payment of all the Contractor’s obligations under the Contract Documents. These Bonds shall remain in effect until at least one (1) year after the date of final payment, except as otherwise provided by law. All Bonds shall be furnished and provided by the surety and shall be in substantially the same form as prescribed by the Contract Documents and be executed by such sureties as (i) are licensed to conduct business in the State of Florida, and (ii) are named in the current list of Companies Holding Certificates of Authority as Acceptable Sureties on Federal Bonds and as Acceptable Reinsuring Companies as published in Circular 570 (amended) by the Audit Staff Bureau of Accounts, U.S. Treasury Department and (iii) otherwise meet the requirements set forth herein that

apply to sureties. All Bonds signed by an agent must be accompanied by a certified copy of the authority to act.

10.1.1 Performance Bond: The Contractor shall execute and record in the public records of Broward County, Florida, a payment and performance bond in an amount at least equal to the Contract Price with a surety insurer authorized to do business in the State of Florida as surety, ("Bond"), in accordance with Section 255.05, Florida Statutes (2023), as may be amended or revised, as security for the faithful performance and payment of all of the Contractor's obligations under the Contract Documents.

A Corporate Surety Bond legally issued, meeting the approval of, and running to the City in an amount not less than the Contract Price of such improvements, conditioned that the Contractor shall maintain and make all repairs to the improvements constructed by the Contractor at their own expense and free of charge to the City, for the period of one (1) year after the date of acceptance of the Work within such period by reason of any imperfection of the material used or by reason of any defective workmanship, or any improper, imperfect or defective preparation of the base upon which any such improvement shall be laid.

10.2 Disqualification of Surety: If the Surety on any Bond furnished by the Contractor is declared bankrupt or becomes insolvent or its right to do business is terminated in the State of Florida or it ceases to meet the requirements of clauses (i) and (ii) of Paragraph 10.1, the Contractor shall within five (5) days thereafter substitute another Bond and Surety, both of which shall be acceptable to the City.

10.3 Insurance: As a condition precedent to the effectiveness of this Agreement, during the term of this Agreement and during any renewal or extension term of this Agreement, Contractor, at its sole expense, shall provide insurance of such types and with such terms and limits as noted below. Providing proof of and maintaining adequate insurance coverage are material obligations of Contractor. Contractor shall provide the City a certificate of insurance evidencing such coverage. Contractor's insurance coverage shall be primary insurance for all applicable policies, in respect to the City's interests. The limits of coverage under each policy maintained by Contractor shall not be interpreted as limiting Contractor's liability and obligations under this Agreement. All insurance policies shall be through insurers authorized or eligible to write policies in the State of Florida and possess an A.M. Best rating of A-, VII or better, subject to approval by the City's Risk Manager.

The coverages, limits, and/or endorsements required herein protect the interests of the City, and these coverages, limits, and/or endorsements shall in no way be relied upon by Contractor for assessing the extent or determining appropriate types and limits of coverage to protect Contractor against any loss exposures, whether as a result of this Agreement or otherwise. The requirements contained herein, as well as the City's review or acknowledgement, are not intended to and shall not in any manner limit or qualify the liabilities and obligations assumed by Contractor under this Agreement.

The following insurance policies and coverages are required:

Commercial General Liability

Coverage must be afforded under a Commercial General Liability policy with limits not less than:

- \$2,000,000 each occurrence and \$2,000,000 aggregate for Bodily Injury, Property Damage, and Personal and Advertising Injury

- \$2,000,000 each occurrence and \$2,000,000 aggregate for Products and Completed Operations

Policy must include coverage for contractual liability and independent contractors.

The City, a Florida municipality, its officials, employees, and volunteers are to be covered as an additional insured with a CG 20 26 04 13 Additional Insured – Designated Person or Organization Endorsement or similar endorsement providing equal or broader Additional Insured Coverage with respect to liability arising out of activities performed by or on behalf of Contractor. The coverage shall contain no special limitation on the scope of protection afforded to the City, its officials, employees, and volunteers.

Pollution and Remediation Legal Liability (Hazardous Materials)

For the purpose of this section, the term “hazardous materials” includes all materials and substances that are designated or defined as hazardous by Florida or federal law or by the rules or regulations of Florida or any federal agency. If work being performed involves hazardous materials, Contractor shall procure and maintain any or all of the following coverages (which will be specifically addressed upon review of exposure):

Contractors Pollution Liability Coverage

For sudden and gradual occurrences and in an amount not less than \$1,000,000 per claim arising out of this Agreement, including but not limited to, all hazardous materials identified under the Agreement.

Business Automobile Liability

Coverage must be afforded for all Owned, Hired, Scheduled, and Non-Owned vehicles for Bodily Injury and Property Damage in an amount not less than \$1,000,000 combined single limit each accident.

If Contractor does not own vehicles, Contractor shall maintain coverage for Hired and Non-Owned Auto Liability, which may be satisfied by way of endorsement to the Commercial General Liability policy or separate Business Auto Liability policy.

Workers' Compensation and Employer's Liability

Coverage must be afforded per Chapter 440, Florida Statutes. Any person or entity performing work for or on behalf of the City must provide Workers' Compensation insurance. Exceptions and exemptions will be allowed by the City's Risk Manager, if they are in accordance with Florida Statute.

Contractor waives, and Contractor shall ensure that Contractor's insurance carrier waives, all subrogation rights against the City, its officials, employees, and volunteers for all losses or damages. The City requires the policy to be endorsed with WC 00 03 13 Waiver of our Right to Recover from Others or equivalent.

Contractor must be in compliance with all applicable State and federal workers' compensation laws, including the U.S. Longshore and Harbor Workers' Compensation Act and the Jones Act, if applicable.

Insurance Certificate Requirements

- a) Contractor shall provide the City with valid Certificates of Insurance (binders are unacceptable) no later than ten (10) days prior to the start of work contemplated in this Agreement.
- b) Contractor shall provide to the City a Certificate of Insurance having a thirty (30) day notice of cancellation; ten (10) days' notice if cancellation is for nonpayment of premium.

- c) In the event that the insurer is unable to accommodate the cancellation notice requirement, it shall be the responsibility of Contractor to provide the proper notice. Such notification will be in writing by registered mail, return receipt requested, and addressed to the certificate holder.
- d) In the event the Agreement term or any surviving obligation of Contractor following expiration or early termination of the Agreement goes beyond the expiration date of the insurance policy, Contractor shall provide the City with an updated Certificate of Insurance no later than ten (10) days prior to the expiration of the insurance currently in effect. The City reserves the right to suspend the Agreement until this requirement is met.
- e) The Certificate of Insurance shall indicate whether coverage is provided under a claims-made or occurrence form. If any coverage is provided on a claims-made form, the Certificate of Insurance must show a retroactive date, which shall be the effective date of the initial contract or prior.
- f) The City shall be covered as an Additional Insured on all liability policies, with the exception of Workers' Compensation.
- g) The City shall be granted a Waiver of Subrogation on Contractor's Workers' Compensation insurance policy.
- h) The title of the Agreement, Bid/Contract number, event dates, or other identifying reference must be listed on the Certificate of Insurance.

The Certificate Holder should read as follows:

City of Fort Lauderdale
100 N. Andrews Avenue
Fort Lauderdale, FL 33301

Contractor has the sole responsibility for all insurance premiums and shall be fully and solely responsible for any costs or expenses as a result of a coverage deductible, co-insurance penalty, or self-insured retention; including any loss not covered because of the application of such deductible, co-insurance penalty, self-insured retention, or coverage exclusion or limitation. Any costs for adding the City as an Additional Insured shall be at Contractor's expense.

If Contractor's primary insurance policy/policies do not meet the minimum requirements as set forth in this Agreement, Contractor may provide evidence of an Umbrella/Excess insurance policy to comply with this requirement.

Contractor's insurance coverage shall be primary insurance in respect to the City's interests, a Florida municipality, its officials, employees, and volunteers. Any insurance or self-insurance maintained by the City shall be non-contributory.

Any exclusion or provision in any insurance policy maintained by Contractor that excludes coverage required in this Agreement shall be deemed unacceptable and shall be considered breach of contract.

All required insurance policies must be maintained until the Agreement work has been accepted by the City, or until this Agreement is terminated, whichever is later. Any lapse in coverage may be considered breach of contract. In addition, Contractor must provide to the City confirmation of coverage renewal via an updated certificate of insurance should any policies expire prior to the expiration of this Agreement. The City reserves the right to review, at any time, coverage forms and limits of Contractor's insurance policies.

Contractor shall provide notice of any and all claims, accidents, and any other occurrences associated with this Agreement to Contractor's insurance company or companies and the City's Risk Management office as soon as practical.

It is Contractor's responsibility to ensure that any and all of Contractor's independent contractors and subcontractors comply with these insurance requirements. All coverages for independent contractors and subcontractors shall be subject to all of the applicable requirements stated herein. Any and all deficiencies are the responsibility of Contractor. The City reserves the right to adjust insurance limits from time to time at its discretion with notice to Contractor.

NOTE: CITY PROJECT NUMBER, PROJECT NAME AND BID NUMBER MUST APPEAR ON EACH CERTIFICATE, AND THE CITY OF FORT LAUDERDALE MUST BE NAMED ON THE CERTIFICATE AS AN "ADDITIONAL INSURED" ON REQUIRED LIABILITY POLICIES.

ARTICLE 11- WARRANTY AND GUARANTEE, TESTS AND INSPECTIONS, CORRECTION, REMOVAL OR ACCEPTANCE OF DEFECTIVE WORK

- 11.1 Warranty: The Contractor warrants and guarantees to the City that all Work will be in accordance with the Contract Documents and will not be defective. Prompt notice of all defects shall be given to the Contractor. All defective work, whether or not in place, may be rejected, corrected or accepted as provided in this Article.
 - 11.1.1 Warranty of Title: The Contractor warrants to the City that it possesses good, clear and marketable title to all equipment and materials provided and that there are no pending liens, claims or encumbrances against the equipment and materials.
 - 11.1.2 Warranty of Specifications: The Contractor warrants that all equipment, materials and workmanship furnished, whether furnished by the Contractor, its subcontractors or suppliers, will comply with the specifications, drawings and other descriptions supplied or adopted and that all services will be performed in a workmanlike manner.
 - 11.1.3 Warranty of Merchantability: The Contractor warrants that any and all equipment to be supplied pursuant to this Agreement is merchantable, free from defects, whether patent or latent in material or workmanship, and fit for the ordinary purposes for which it is intended.
- 11.2 Tests and Inspections: Contractor shall retain the services of an independent, certified, testing lab to perform all testing as required by the specifications, contract drawings, and any applicable permitting agency. Contractor shall provide evidence of certification to the City before the work and testing is done. Testing results shall be submitted to the Project Manager for review and approval at the time the results are provided to the Contractor. The Contractor shall give the Project Manager and City Inspector a minimum of twenty-four (24) hours' advanced notice of readiness of the Work for all required inspections, tests, or approvals and shall notify all applicable permitting agencies in a timely manner based on requirements set forth in the permit documents.
 - 11.2.1 Neither observations by the Project Manager nor inspections, tests or approvals by others shall relieve the Contractor from its obligations to perform the Work in accordance with the Contract Documents.

11.3 Uncovering Work: If any work that is to be inspected, tested or approved is covered without approval or consent of the Project Manager, it must, if requested by the Project Manager, be uncovered for observation and/or testing. Such uncovering and replacement shall be at the Contractor's sole expense unless the Contractor has given the Project Manager timely notice of the Contractor's intention to cover such Work and the Project Manager has not acted with reasonable promptness in response to such notice.

11.3.1 If the Project Manager considers it necessary or advisable that Work covered in accordance with Paragraphs 11.2.1 be observed by the City or inspected or tested by others, the Contractor at the City's request, shall uncover, expose or otherwise make available for observation, inspection or testing as the Project Manager may require, that portion of the Work in question, furnishing all necessary labor, material and equipment. If it is found that such Work is defective, the Contractor shall bear all the expenses of such uncovering, exposure, observation, inspection and testing and of satisfactory reconstruction, including compensation for additional professional services, and an appropriate deductive Change Order shall be issued. If, however, such work is not found to be defective, the Contractor shall be allowed an increase in the Contract Price or an extension of the Contract Time, or both, directly attributable to such uncovering, exposure, observation, inspection testing and reconstruction if it makes a claim therefore as provided in Articles 14 and 15.

11.4 City May Stop the Work: If the Work is defective, or the Contractor fails to supply sufficient skilled supervisory personnel or workmen or suitable materials or equipment or the work area is deemed unsafe, the City may order the Contractor to stop the Work, or any portion thereof, until the cause for such order has been eliminated; however, this right of the City to stop the Work shall not give rise to any duty on the part of the City to exercise this right for the benefit of the Contractor or any other Party. The City will not award any increase in Contract Price or Contract Time if the Work is stopped due to the circumstances described herein.

11.5 Correction or Removal of Defective Work Before Final Payment: If required by the Project Manager, the Contractor shall promptly, without cost to the City and as specified by the Project Manager, either correct any defective Work, whether or not fabricated, installed or completed, or if the Work has been rejected by the City, remove it from the site and replace it with non-defective Work.

11.6 One Year Correction Period After Final Payment: If, within one (1) year after the date of final acceptance of work on each Task Order, or such longer period of time as may be prescribed by law or by the terms of any applicable special guarantee required by the Contract Documents, any work is found to be defective, the Contractor shall promptly, without cost to the City and in accordance with the City's written instructions, either correct such defective Work, or, if it has been rejected by the City, remove it from the site and replace it with non-defective Work.

If the Contractor does not promptly comply with the terms of such instructions or in an emergency where delay would cause serious risk of loss or damage, the City may have the defective Work corrected or the rejected Work removed and replaced, and all direct and indirect costs for such removal and replacement, including compensation for additional professional services, shall be paid by the Contractor.

- 11.7 Acceptance of Defective Work, Deductions: If, instead of requiring correction or removal and replacement of defective Work, the City, at the City's sole option, prefers to accept it, the City may do so. In such a case, if acceptance occurs prior to the Project Manager's recommendation of final payments, a Change Order shall be issued incorporating the necessary revisions in the Contract's Documents, including appropriate reduction in the Contract Price; or if the acceptance occurs after such recommendation, an appropriate amount shall be paid by the Contractor to the City.
- 11.8 City May Correct Defective Work: If the Contractor fails within a reasonable time after written notice of the Project Manager to proceed to correct defective Work or to remove and replace rejected Work as required by the Project Manager in accordance with Paragraph 11.5, or if the Contractor fails to perform the Work in accordance with the Contract Documents, the City may, after seven (7) days' written notice to the Contractor, correct and remedy any such deficiency. In exercising its rights under this paragraph, the City shall proceed expeditiously. To the extent necessary to complete corrective and remedial action, the City may exclude the Contractor from all or part of the site, take possession of all or part of the Work, suspend the Contractor's services related thereto and take possession of the Contractor's tools, construction equipment and materials stored at the site or elsewhere. The Contractor shall allow the City's representative agents and employees such access to the site as may be necessary to enable the City to exercise its rights under this paragraph. All direct and indirect costs of the City in exercising such rights shall be charged against the Contractor in an amount verified by the Project Manager, and a Change Order shall be issued incorporating the necessary revisions in the Contract Documents and a reduction in the Contract Price. Such direct and indirect costs shall include, in particular but without limitation, compensation for additional professional services required and costs of repair and replacement of work of others destroyed or damaged by correction, removal or replacement of the Contractor's defective Work. The Contractor shall not be allowed an extension of the Contract Time because of any delay in performance of the Work attributable to the exercise by the City of the City's right hereunder.

ARTICLE 12 – INDEMNIFICATION

- 12.1 Disclaimer of Liability: The City shall not at any time, be liable for injury or damage occurring to any person or property from any cause, whatsoever, arising out of Contractor's construction and fulfillment of this Agreement.
- 12.2 Indemnification: For other, additional good valuable consideration, the receipt and sufficiency of which is hereby acknowledged:
- 12.2.1 Contractor shall, at its sole cost and expense, indemnify and hold harmless the City, its representatives, employees and elected and appointed officials from or on account of all claims, damages, losses, liabilities and expenses, direct, indirect or consequential including but not limited to fees and charges of engineers, architects, attorneys, consultants and other professionals and court costs rising out of or in consequence of the performance of this Agreement at all trial and appellate levels. Indemnification shall specifically include but not be limited to claims, damages, losses, liabilities and expenses arising out of or from (a) the negligent or defective design of the project and Work of this Agreement; (b) any act, omission or default of the Contractor, its subcontractors, agents, suppliers,

employees, or laborers; (c) any and all bodily injuries, sickness, disease or death; (d) injury to or destruction of tangible property, including any resulting loss of use; (e) other such damages, liabilities, or losses received or sustained by any person or persons during or on account of any operations connected with the construction of this Project including the warranty period; (f) the use of any improper materials; (g) any construction defect including both patent and latent defects; (h) failure to timely complete the work; (i) the violation of any federal, state, county or City laws, ordinances or regulations by Contractor, its subcontractors, agents, servants, independent contractors or employees; (j) the breach or alleged breach by Contractor of any term of the Agreement, including the breach or alleged breach of any warranty or guarantee.

- 12.2.2 Contractor agrees to indemnify, defend, and hold harmless the City, its officers, agents and employees, from all damages, liabilities, losses, claims, fines and fees, and from any and all suits and actions of every name and description that may be brought against City, its officers, agents and employees, on account of any claims, fees, royalties, or costs for any invention or patent and/or for the infringement of any and all copyrights or patent rights claimed by any person, firm, or corporation.
- 12.2.3 Contractor shall pay all claims, losses, liens, settlements or judgments of any nature in connection with the foregoing indemnifications including, but not limited to, reasonable attorney's fees and costs for trials and appeals.
- 12.2.4 If any subcontractor, supplier, laborer, or materialmen of Contractor or any other person directly or indirectly acting for or through Contractor files or attempts to file a mechanic's or construction lien against the real property on which the work is performed or any part or against any personal property or improvements thereon or make a claim against any monies due or to become due from the City to Contractor or from Contractor to a subcontractor, for or on account of any work, labor, services, material, equipment, or other items furnished in connection with the Work or any change order, Contractor agrees to satisfy, remove, or discharge such lien or claim at its own expense by bond, payment, or otherwise within five (5) days of the filing or from receipt of written notice from the City.

Additionally, until such time as such lien or claim is satisfied, removed or discharged by Contractor, all monies due to Contractor, or that become due to Contractor before the lien or claim is satisfied, removed or otherwise discharged, shall be held by City as security for the satisfaction, removal and discharge of such lien and any expense that may be incurred while obtaining the discharge. If Contractor shall fail to do so, City shall have the right, in addition to all other rights and remedies provided by this Agreement or by law, to satisfy, remove, or discharge such lien or claim by whatever means City chooses at the entire and sole cost and expense of Contractor which costs and expenses shall, without limitation, include attorney's fees, litigation costs, fees and expenses and all court costs and assessments, and which shall be deducted from any amount owing to Contractor. In the event the amount due Contractor is less than the amount required to satisfy Contractor's obligation under this, or any other article, paragraph or section of this Agreement, the Contractor shall be liable for the deficiency due the City.

12.2.5 The Contractor and the City agree that Section 725.06(2), Florida Statutes (2023), as may be amended or revised, controls the extent and limits of the indemnification and hold harmless provisions of this Agreement, if any, and that the Parties waive any defects in the wording of this Article that runs afoul of said statutory section.

ARTICLE 13 – CHANGES IN THE WORK

- 13.1 Without invalidating this Agreement, the City may, at any time or from time to time order additions, deletions or revisions in the Work through the issuance of Task Order Amendments. Upon receipt of a fully executed Task Order Amendment, the Contractor shall proceed with the Work involved. All Work shall be executed under the applicable conditions of the Contract Documents. The City reserves the right to add, delete or modify any or all pay items and/or quantities. All adjustments shall be made on the per unit price basis where unit prices are quoted. Other adjustments, if any, shall be based on a fair and equitable manner per the Contract Documents or mutually negotiated price between the Contractor and City. In the event the Contractor and City cannot come to an agreement on a price or price adjustment, the City shall have the right to complete that item or work by other means without invalidating the Contract. No claim of loss of profit shall be made against the City.
- 13.2 The Project Manager may authorize minor changes in the Work not involving an adjustment in the Contract Price or the Contract Time, which are consistent with the overall intent of the Contract Documents. Such changes must be in writing and signed by the City and the Contractor.
- 13.3 If notice of any change affecting the general scope of the Work or change in the Contract Price is required by the provisions of any Bond to be given to the Surety, it will be the Contractor's responsibility to so notify the Surety, and the amount of each applicable Bond shall be adjusted accordingly. The Contractor shall furnish proof of such adjustment to the City.

ARTICLE 14 – CHANGE OF CONTRACT PRICE

Contract Price shall not exceed that which is agreed to in this Agreement. Any increase to the Contract Price shall be executed through an Amendment to this Agreement and approved by the City Commission.

- 14.1 Time for the City to Approve Contract Amendment: Should the cumulative amount of the executed Task Orders exceed the Contract Price, a Contract Amendment must be approved by the City Commission authorizing additional funding for this Contract if it exceeds the threshold established in the City Code.

ARTICLE 15 – CHANGE OF THE CONTRACT TIME

- 15.1 The Contract Time shall be for Two (2) years from the date of Commission award subject to Two (2) One (1) year renewal terms.

- 15.2 All time limits stated in the Contract Documents and within each executed Task Order are of the essence. The provisions of this Article 15 shall not exclude recovery for damages for delay by the Contractor.
- 15.3 Delays caused by or resulting from entities, contractors or subcontractors who are not affiliated with the Contractor (non-affiliated Contractors) shall not give rise to a claim by the Contractor for damages for increases in material and/or labor costs. Such entities, contractors and subcontractors include, but are not limited to, the City's contractors and subcontractors, Florida Power and Light Company, AT&T and Florida East Coast Railway, LLC.
- 15.4 Rights of Various Interests: Whenever work being done by City's forces or by other contractors is contiguous to or within the limits of work covered by this Agreement, the respective rights of the various interests involved shall be established by the Project Manager to secure the completion of the various portions of the Work in general harmony.

ARTICLE 16 – LIQUIDATED DAMAGES

- 16.1 Upon failure of the Contractor to complete the Work of an executed Task Order within the agreed upon and approved time for said Task Order, the Contractor shall pay to the City the sum of **Five Hundred Dollars (\$500.00)** for each and every calendar day that the completion of the Task Order is delayed beyond the time agreed upon for said Task Order, as fixed and agreed liquidated damages and not as a penalty, so long as the delay is caused by the Contractor. Should an act of God or the acts or omissions of the City, its agents or representatives, in derogation to the terms of this Agreement cause the delay, the Contractor shall not be responsible for the delay nor liquidated damages. Liquidated damages are fixed and agreed upon between the Parties, recognizing the impossibility of precisely ascertaining the amount of damages that will be sustained by the City as a consequence of such delay and both Parties desiring to obviate any question of dispute concerning the amount of damages and the cost and effect of the failure of the Contractor to complete the Work on time. Liquidated damages shall apply separately to each Task Order for which a time of completion is given. The City shall have the right to deduct from or retain any compensation which may be due or which may become due and payable to the Contractor the amount of liquidated damages, and if the amount retained by the City is insufficient to pay in full such liquidated damages, the Contractor shall pay all liquidated damages in full. The Contractor shall be responsible for reimbursing the City, in addition to liquidated damages or other damages for delay, for all costs of engineering, architectural fees, and inspection and other costs incurred in administering the construction of the Project beyond the completion date specified or beyond an approved extension of time granted to the Contractor whichever is later. Delays caused by or resulting from entities, contractors or subcontractors who are not affiliated with the Contractor shall not give rise to a claim by Contractor for damages for increase in material and/or labor costs. Such entities, contractors and subcontractors include, but are not limited to, the City's contractors and subcontractors, Florida Power and Light Company, AT&T, and Florida East Coast Railway, LLC.
- 16.2 No Extended Damages: For other and additional good and valuable consideration the receipt and sufficiency of which is hereby acknowledged, the Contractor covenants and agrees that in the event of any delay of construction or for any reason, allegation or claim, and notwithstanding the reason of the delay, reason, claim or allegation or who

caused them or the construction delay or whether they were caused by the City, that there will be no entitlement to Contractor to or for any direct or indirect financial damages or losses for extended corporate overhead impact, extended project overhead impacts, project support services, mobilization or demobilization or by whatever other label or legal concept or theory and types of names or labels or basis such claims may have, or any business damages or losses of whatever type or nature, and Contractor hereby waives any right to make any such claim or claims. This provision will have application and effect when construction delays are anticipated and agreed upon by both the City and the Contractor.

ARTICLE 17 – SUSPENSION OF WORK AND TERMINATION

- 17.1 City May Suspend Work: The City may, at any time and without cause, suspend the Work or any portion of the Work for a period of not more than ninety (90) days by notice in writing to the Contractor which shall fix the date on which Work shall be resumed. The Contractor shall resume the Work on the date fixed. The Contractor will be allowed an increase in the Contract Price or an extension of the Contract Time, or both, directly attributable to any suspension, if the Contractor makes a claim as provided in Articles 14 and 15.
- 17.2 City's Right to Terminate Task Order: The City may terminate this Agreement as well as any task order upon fifteen (15) calendar days' notice upon the occurrence of any one or more of the following events:
- 17.2.1 If the Contractor makes a general assignment for the benefit of creditors.
- 17.2.2 If a trustee, receiver, custodian or agent of the Contractor is appointed under applicable law or under Agreement, whose appointment or authority to take charge of property of the Contractor is for the purpose of enforcing a lien against such property or for the purpose of general administration of such property for the benefit of the Contractor's creditors.
- 17.2.3 If Contractor fails to begin the Work within fifteen (15) calendar days after the date set forth in the Notice to Proceed, or fails to perform the Work with sufficient workers and equipment or with sufficient materials to ensure the prompt completion of the Work, or shall perform the Work unsuitably, or cause it to be rejected as defective and unsuitable, or shall discontinue the prosecution of the Work pursuant to the accepted schedule or if Contractor shall fail to perform any material term set forth in the Contract Documents, or from any other cause whatsoever shall not carry on the Work in an acceptable manner, Project Manager may give notice in writing to Contractor and its Surety of such delay, neglect or default, specifying the same.
- 17.2.4 If the Contractor repeatedly fails to make prompt payments to subcontractors or for labor, material or equipment.
- 17.2.5 If the Contractor repeatedly disregards proper safety procedures.
- 17.2.6 If the Contractor disregards any local, state or federal laws or regulations.
- 17.2.7 If the Contractor otherwise violates any provisions of this Agreement.

- 17.3 If Contractor, within a period of ten (10) calendar days after such notice, shall not proceed in accordance therewith, the City may exclude the Contractor from the Work site and take the prosecution of the Work out of the hands of the Contractor, and take possession of the Work and all of the Contractor's tools, appliances, construction equipment and machinery at the site and use them without liability to the City for trespass or conversion, incorporate in the Work all materials and equipment stored at the site or for which the City has paid the Contractor but which are stored elsewhere, and finish the Work as the City may deem expedient. In this instance, the Contractor shall not be entitled to receive any further compensation until the Work is finished.
- 17.3.1 If after notice of termination of Contractor's notice to proceed, it is determined for any reason that Contractor was not in default, the rights and obligations of City and Contractor shall be the same as if the notice of termination had been issued pursuant to the Termination for Convenience clause as set forth in Section 17.5 below.
- 17.3.2 Upon receipt of Notice of Termination pursuant to Sections 17.2 or 17.5, Contractor shall promptly discontinue all affected work unless the Notice of Termination directs otherwise and deliver or otherwise make available to City all data, drawings, specifications, reports, estimates, summaries and such other information as may have been required by the Contract Documents whether completed or in process.
- 17.4 If the Contractor commits a default due to its insolvency or bankruptcy, the following shall apply:
- 17.4.1 Should this Agreement be entered into and fully executed by the Parties, funds released and the Contractor (Debtor) files for bankruptcy, the following shall occur:
- 17.4.1.1 In the event the Contractor files a voluntary petition under 11 U.S.C. 301 or 302, or an order for relief is entered under 11 U.S.C. 303, the Contractor shall acknowledge the extent, validity, and priority of the lien recorded in favor of the City. The Contractor further agrees that in the event of this default, the City shall, at its option, be entitled to seek relief from the automatic stay pursuant to 11 U.S.C. 362. The City shall be entitled to relief from the automatic stay pursuant to 11 U.S.C. 362(d) (1) or (d) (2), and the Contractor agrees to waive the notice provisions in effect pursuant to 11 U.S.C. 362 and any applicable Local Rules of the United States Bankruptcy Court. The Contractor acknowledges that such waiver is done knowingly and voluntarily.
- 17.4.1.2 Alternatively, in the event the City does not seek stay relief, or if stay relief is denied, the City shall be entitled to monthly adequate protection payments within the meaning of 11 U.S.C. 361. The monthly adequate protection payments shall each be in an amount determined in accordance with the Note and Mortgage executed by the Contractor in favor of the City.

17.4.1.3 In the event the Contractor files for bankruptcy under Chapter 13 of Title 11, United States Code in addition to the foregoing provisions, the Contractor agrees to cure any amounts in arrears over a period not to exceed twenty-four (24) months from the date of the confirmation order, and such payments shall be made in addition to the regular monthly payments required by the Note and mortgage. Additionally, the Contractor shall agree that the City is over secured and, therefore, entitled to interest and attorney's fees pursuant to 11 U.S.C. 506(b). Such fees shall be allowed and payable as an administrative expense. Further, in the event the Contractor has less than five (5) years of payments remaining on the Note, the Contractor agrees that the treatment afforded to the claim of the City under any confirmed plan of reorganization shall provide that the remaining payments shall be satisfied in accordance with the Note, and that the remaining payments or claim shall not be extended or amortized over a longer period than the time remaining under the Note.

17.4.2 Should this Agreement be entered into and fully executed by the Parties, and the funds have not been forwarded to Contractor, the following shall occur:

17.4.2.1 In the event the Contractor files a voluntary petition pursuant to 11 U.S.C. 301 or 302, or an order for relief is entered under 11 U.S.C. 303., the Contractor acknowledges that the commencement of a bankruptcy proceeding constitutes an event of default under the terms of this Agreement. Further, the Contractor acknowledges that this Agreement constitutes an executory contract within the meaning of 11 U.S.C. 365. The Contractor acknowledges that this Agreement is not capable of being assumed pursuant to 11 U.S.C. 365(c)(2), unless the City expressly consents in writing to the assumption. In the event the City consents to the assumption, the Contractor agrees to file a motion to assume this Agreement within ten (10) days after receipt of written consent from the City, regardless of whether the bankruptcy proceeding is pending under Chapter 7, 11, or 13 of Title 11 of the United States Code. The Contractor further acknowledges that this Agreement is not capable of being assigned pursuant to 11 U.S.C. 365(b)(1).

17.5 Termination for Convenience: This Agreement may be terminated for convenience in writing by City upon thirty (30) days' written notice to Contractor (delivered by certified mail, return receipt requested) of intent to terminate and the date on which such termination becomes effective. In such case, Contractor shall be paid for all work executed and accepted by the City and costs reasonably incurred by Contractor relating to commitments which had become firm prior to the termination. No payment shall be made for profit for work/services which have not been performed or accepted.

17.6 Where the Contractor's service has been so terminated by the City, the termination shall not affect any rights of the City against the Contractor then existing or which may thereafter accrue. Any retention or payment of moneys due the Contractor by the City will not release the Contractor from liability.

- 17.7 The Contractor has no right, authority or ability to terminate the Work except for the wrongful withholding of any payments due the Contractor from the City.

ARTICLE 18 – DISPUTE RESOLUTION

- 18.1 Resolution of Disputes: Questions, claims, difficulties and disputes of whatever nature which may arise relative to the technical interpretation of the Contract Documents and fulfillment of this Agreement as to the character, quality, amount and value of any work done and materials furnished, or proposed to be done or furnished under, or by reason of, the Contract Documents which cannot be resolved by mutual agreement of City Project Manager and Contractor shall be submitted to the City Manager or his designee and Contractor's representative for resolution. Prior to any litigation being commenced, for any disputes which remain unresolved, within sixty (60) days after final completion of the Work, the Parties shall participate in mediation to address all unresolved disputes to a mediator agreed upon by the Parties. Should any objection not be resolved in mediation, the Parties retain all their legal rights and remedies provided under the laws of Florida. Failure by a Party to comply in strict accordance with the requirements of this Article, then said Party specifically waives all of its rights provided hereunder, including its rights and remedies under the laws of Florida.
- 18.1.1 All non-technical administrative disputes (such as billing and payment) shall be determined by Contract Administrator.
- 18.1.2 During the pendency of any dispute and after a determination thereof, Contractor and Contract Administrator shall act in good faith to mitigate any potential damages including utilization of construction schedule changes and alternate means of construction. During the pendency of any dispute arising under this Agreement, other than termination herein, Contractor shall carry on the Work and adhere to the progress schedule. The Work shall not be delayed or postponed pending resolution of any disputes or disagreements.
- 18.1.3 For any disputes which remain unsolved, within sixty (60) calendar days after Final Completion of the Work, the Parties shall participate in mediation to address all unresolved disputes. A mediator shall be mutually agreed upon by the Parties. Should any objection not be resolved in mediation, the Parties retain all their legal rights and remedies under applicable law. If a Party objecting to a determination, fails to comply in strict accordance with the requirements of this Article, said Party specifically waives all of its rights provided hereunder, including its rights and remedies under applicable law.

ARTICLE 19 – NOTICES

- 19.1 All notices required by any of the Contract Documents shall be in writing and shall be deemed delivered upon mailing by certified mail, return receipt requested to the following:

To the City:

Project Manager
City of Fort Lauderdale
100 North Andrews Avenue, 4th Floor

Fort Lauderdale, Florida 33301-1016
Telephone: (954-828) _____
E-mail: _____

with copies to:

City Manager and City Attorney
City of Fort Lauderdale
100 North Andrews Avenue
Fort Lauderdale, Florida 33301-1016

To the Contractor:

Telephone: _____
E-mail: _____

ARTICLE 20 – LIMITATION OF LIABILITY

- 20.1 The City desires to enter into this Agreement only if in so doing the City can place a limit on the City's liability for any cause of action arising out of this Agreement, so that the City's liability for any breach never exceeds the sum of \$1,000. For other good and valuable consideration, the receipt and sufficiency of which is hereby acknowledged, the Contractor expresses its willingness to enter into this Agreement with the knowledge that the Contractor's recovery from the City to any action or claim arising from the Agreement is limited to a maximum amount of \$1,000, which amount shall be reduced by the amount actually paid by the City to the Contractor pursuant to this Agreement, for any action or claim arising out of this Agreement. Nothing contained in this paragraph or elsewhere in this Agreement is in any way intended either to be a waiver of the limitation placed upon the City's liability as set forth in Section 768.28, Florida Statutes (2023), as may be amended or revised, or to extend the City's liability beyond the limits established in said Section 768.28 (2023), as may be amended or revised; and no claim or award against the City shall include attorney's fees, investigative costs, expert fees, suit costs or pre-judgment interest.
- 20.2 No Extended Damages: For other and additional good and valuable consideration the receipt and sufficiency of which is hereby acknowledged, the Contractor covenants and agrees that in the event of any delay of construction or for any reason, allegation or claim, and notwithstanding the reason of the delay, reason, claim or allegation or who caused them or the construction delay or whether they were caused by the City, that there will be no entitlement to Contractor to or for any direct or indirect financial damages or losses for extended corporate overhead impact, extended project overhead impacts, project support services, mobilization or demobilization or by whatever other label or legal concept or theory and types of names or labels or basis such claims may have, or any business damages or losses of whatever type or nature, and Contractor hereby waives any right to make any such claim or claims. This provision will have application

and effect when construction delays are anticipated and agreed upon by both the City and the Contractor.

ARTICLE 21 – GOVERNING LAW; WAIVER OF JURY TRIAL

21.1 The Agreement shall be interpreted and construed in accordance with, and governed by, the laws of the state of Florida. The Parties agree that the exclusive venue for any lawsuit arising from, related to, or in connection with this Agreement shall be in the state courts of the Seventeenth Judicial Circuit in and for Broward County, Florida. If any claims arising from, related to, or in connection with this Agreement must be litigated in federal court, the Parties agree that the exclusive venue for any such lawsuit shall be in the United States District Court or United States Bankruptcy Court for the Southern District of Florida. **BY ENTERING INTO THIS AGREEMENT, THE PARTIES HEREBY EXPRESSLY WAIVE ANY AND ALL RIGHTS EITHER PARTY MIGHT HAVE TO A TRIAL BY JURY OF ANY ISSUES RELATED TO THIS AGREEMENT. IF A PARTY FAILS TO WITHDRAW A REQUEST FOR A JURY TRIAL IN A LAWSUIT ARISING OUT OF THIS AGREEMENT AFTER WRITTEN NOTICE BY THE OTHER PARTY OF VIOLATION OF THIS SECTION, THE PARTY MAKING THE REQUEST FOR JURY TRIAL SHALL BE LIABLE FOR THE REASONABLE ATTORNEYS' FEES AND COSTS OF THE OTHER PARTY IN CONTESTING THE REQUEST FOR JURY TRIAL, AND SUCH AMOUNTS SHALL BE AWARDED BY THE COURT IN ADJUDICATING THE MOTION.**

ARTICLE 22 – MISCELLANEOUS

- 22.1 The duties and obligations imposed by this Agreement and the rights and remedies available to the Parties and, in particular but without limitation, the warranties, guaranties and obligations imposed upon the Contractor and all of the rights and remedies available to the City, are in addition to, and are not to be construed in any way as a limitation of, any rights and remedies available to any or all of them which are otherwise imposed or available by laws or regulations, by special warranty or guarantee or by other provisions of the Contract Documents, and the provisions of this Paragraph will be as effective as if repeated specifically in the Contract Documents, and the provisions of this Paragraph will survive final payment and termination or completion of this Agreement.
- 22.2 The Contractor shall not assign or transfer this Agreement or its rights, title or interests. The obligations undertaken by the Contractor pursuant to this Agreement shall not be delegated or assigned to any other person or firm. Violation of the terms of this Paragraph shall constitute a material breach of Agreement by the Contractor and the City any, at its discretion, cancel this Agreement and all rights, title and interest of the Contractor which shall immediately cease and terminate.
- 22.3 The Contractor and its employees, volunteers and agents shall be and remain an independent contractor and not agents or employees of the City with respect to all of the acts and services performed by and under the terms of this Agreement. This Agreement shall not in any way be constructed to create a partnership, association or any other kind of joint undertaking or venture between the Parties.
- 22.4 The City reserves the right to audit the records of the Contractor relating in any way to the Work to be performed pursuant to this Agreement at any time during the performance and term of this Agreement and for a period of three (3) years after

completion and acceptance by the City. If required by the City, the Contractor agrees to submit to an audit by an independent certified public accountant selected by the City. The Contractor shall allow the City to inspect, examine and review the records of the Contractor at any and all times during normal business hours during the term of this Agreement.

- 22.5 The remedies expressly provided in this Agreement to the City shall not be deemed to be exclusive but shall be cumulative and in addition to all other remedies in favor of the City now or later existing at law or in equity.
- 22.6 Should any part, term or provisions of this Agreement be decided by the courts to be invalid, illegal or in conflict with any state or federal law, the validity of the remaining portion or provision shall not be affected.
- 22.7 Prohibition Against Contracting With Scrutinized Companies: Subject to *Odebrecht Construction, Inc., v. Prasad*, 876 F.Supp.2d 1305 (S.D. Fla. 2012), *affirmed*, *Odebrecht Construction, Inc., v. Secretary, Florida Department of Transportation*, 715 F.3d 1268 (11th Cir. 2013), with regard to the “Cuba Amendment,” the Contractor certifies that it is not on the Scrutinized Companies with Activities in Sudan List or the Scrutinized Companies with Activities in the Iran Petroleum Energy Sector List, and that it does not have business operations in Cuba or Syria, as provided in Section 287.135, Florida Statutes (2023), as may be amended or revised. The Contractor certifies that it is not on the Scrutinized Companies that Boycott Israel List created pursuant to Section 215.4725, Florida Statutes (2023), as may be amended or revised, and that it is not engaged in a boycott of Israel. The City may terminate this Agreement at the City’s option if the Contractor is found to have submitted a false certification as provided under subsection (5) of Section 287.135, Florida Statutes (2023), as may be amended or revised, or been placed on the Scrutinized Companies with Activities in Sudan List or the Scrutinized Companies with Activities in the Iran Petroleum Energy Sector List or the Scrutinized Companies that Boycott Israel List created pursuant to Section 215.4725, Florida Statutes (2023), as may be amended or revised, or is engaged in a boycott of Israel or has been engaged in business operations in Cuba or Syria, as defined in Section 287.135, Florida Statutes (2023), as may be amended or revised. By submitting a proposal or response, the company, principals, or owners certify that it is not listed on the Scrutinized Companies with Activities in Sudan List or listed on the Scrutinized Companies with Activities in the Iran Petroleum Energy Sector List or is engaged in business operations in Cuba or Syria.
- 22.8 Public Entity Crimes: In accordance with the Public Crimes Act, Section 287.133, Florida Statutes (2023), as may be amended or revised, a person or affiliate who is a contractor, consultant or other provider, who has been placed on the convicted vendor list following a conviction for a public entity crime may not submit a bid on a contract to provide any goods or services to the City, may not submit a bid on a contract with the City for the construction or repair of a public building or public work, may not submit bids on leases of real property to the City, may not be awarded or perform work as a contractor, supplier, subcontractor, or consultant under a contract with the City, and may not transact any business with the City in excess of the threshold amount provided in Section 287.017, Florida Statutes (2023), as may be amended or revised, for category two purchases for a period of thirty-six (36) months from the date of being placed on the

convicted vendor list. Violation of this section by Contractor shall result in cancellation of the City purchase and may result in Contractor debarment.

22.9 Attorney Fees: If City or Contractor incurs any expense in enforcing the terms of this Agreement through litigation, the prevailing Party in that litigation shall be reimbursed for all such costs and expenses, including but not limited to court costs, and reasonable attorney fees incurred during litigation.

22.10 Public Records

IF THE CONTRACTOR HAS QUESTIONS REGARDING THE APPLICATION OF CHAPTER 119, FLORIDA STATUTES (2022), TO THE CONTRACTOR'S DUTY TO PROVIDE PUBLIC RECORDS RELATING TO THIS AGREEMENT, CONTACT THE CUSTODIAN OF PUBLIC RECORDS AT PRRCONTRACT@FORTLAUDERDALE.GOV, 954-828-5002, CITY CLERK'S OFFICE, SUITE 444, 1E BROWARD BOULEVARD, FORT LAUDERDALE, FLORIDA 33301.

Contractor shall:

1. Keep and maintain public records required by the City in order to perform the service.
2. Upon request from the City's custodian of public records, provide the City with a copy of the requested records or allow the records to be inspected or copied within a reasonable time at a cost that does not exceed the cost provided in Chapter 119, Florida Statutes (2023), as may be amended or revised, or as otherwise provided by law.
3. Ensure that public records that are exempt or confidential and exempt from public records disclosure requirements are not disclosed except as authorized by law for the duration of the contract term and following completion of this Agreement if the Contractor does not transfer the records to the City.
4. Upon completion of the Agreement, transfer, at no cost, to the City all public records in possession of the Contractor or keep and maintain public records required by the City to perform the service. If the Contractor transfers all public records to the City upon completion of this Agreement, the Contractor shall destroy any duplicate public records that are exempt or confidential and exempt from public records disclosure requirements. If the Contractor keeps and maintains public records upon completion of this Agreement, the Contractor shall meet all applicable requirements for retaining public records. All records stored electronically must be provided to the City, upon request from the City's custodian of public records, in a format that is compatible with the information technology systems of the City.

22.11 Non-Discrimination

The Contractor shall not discriminate against its employees based on the employee's race, color, religion, gender, gender identity, gender expression, marital status, sexual

orientation, national origin, age, disability, or any other protected classification as defined by applicable law.

1. The Contractor certifies and represents that the Contractor offers the same health benefits to the domestic partners of its employees as are offered its employees' spouses or offers its employees the cash equivalent of such health benefits because it is unable to provide health benefits to its employees' domestic partners, and that the Contractor will comply with Section 2-187, Code of Ordinances of the City of Fort Lauderdale, Florida, as may be amended or revised, ("Section 2-187"), during the entire term of this Agreement.
2. The failure of the Contractor to comply with Section 2-187 shall be deemed to be a material breach of this Agreement, entitling the City to pursue any remedy stated below or any remedy provided under applicable law.
3. The City may terminate this Agreement if the Contractor fails to comply with Section 2-187.
4. The City may retain all monies due or to become due until the Contractor complies with Section 2-187.
5. The Contractor may be subject to debarment or suspension proceedings. Such proceedings will be consistent with the procedures in Section 2-183 of the Code of Ordinances of the City of Fort Lauderdale, Florida.

22.12 E-Verify

As a condition precedent to the effectiveness of this Agreement, pursuant to Section 448.095, Florida Statutes (2023), as may be amended or revised, the Contractor and its subcontractors shall register with and use the E-Verify system to electronically verify the employment eligibility of newly hired employees.

1. The Contractor shall require each of its subcontractors, if any, to provide the Contractor with an affidavit stating that the subcontractor does not employ, contract with, or subcontract with an unauthorized alien. The Contractor shall maintain a copy of the subcontractor's affidavit for the duration of this Agreement and in accordance with the public records requirements of this Agreement.
2. The City, the Contractor, or any subcontractor who has a good faith belief that a person or entity with which it is contracting has knowingly violated Section 448.09(1), Florida Statutes (2023), as may be amended or revised, shall terminate the Agreement with the person or entity.
3. The City, upon good faith belief that a subcontractor knowingly violated the provisions of Section 448.095(5), Florida Statutes (2023), as may be amended or revised, but that the Contractor otherwise complied with Section 448.095(2), Florida Statutes (2023), as may be amended or revised, shall promptly notify Contractor and order the Contractor to immediately terminate the contract with the subcontractor, and the Contractor shall comply with such order.
4. An Agreement terminated under Sections 448.095(5)(c)1. or 2., Florida Statutes (2023), as may be amended or revised, is not a breach of contract and may not

be considered as such. If the City terminates this Agreement under Section 448.095(5)(c), Florida Statutes (2023), as may be amended or revised, the Contractor may not be awarded a public contract for at least one year after the date on which the Agreement was terminated. The Contractor is liable for any additional costs incurred by the City as a result of termination of this Agreement.

5. Contractor shall include in each of its subcontracts, if any, the requirements set forth in this Section, including this subparagraph, requiring any and all subcontractors, as defined in Section 448.095(1)(e), Florida Statutes (2023), as may be amended or revised, to include all of the requirements of this Section in its subcontracts. Contractor shall be responsible for compliance by any and all subcontractors, as defined in Section 448.095(1)(e), Florida Statutes (2023), as may be amended or revised, with the requirements of Section 448.095, Florida Statutes (2023), as may be amended or revised.

[THIS SPACE WAS INTENTIONALLY LEFT BLANK]

SAMPLE CONSTRUCTION AGREEMENT

CITY

IN WITNESS OF THE FOREGOING, the Parties have set their hands and seals the day and year first written above.

CITY OF FORT LAUDERDALE, a Florida municipal corporation

By: _____
GREG CHAVARRIA
City Manager

Date: _____

ATTEST:

By: _____
DAVID R. SOLOMAN
City Clerk

Approved as to Legal Form and correctness:
Thomas Ansbro, City Attorney

By: _____
RHONDA MONTOYA HASAN
Assistant City Attorney

SAMPLE CONSTRUCTION AGREEMENT

CONTRACTOR

WITNESSES:

CONTRACTOR.,
a Florida company/corporation.

By: _____

Print Name: _____

Print Name

Title: _____

ATTEST:

Print Name

By: _____

Secretary

(CORPORATE SEAL)

STATE OF _____:

COUNTY OF _____:

The foregoing instrument was acknowledged before me by means of physical presence or online notarization, this _____ day of _____, 2024, by _____, (NAME OF AUTHORIZED OFFICER), as _____ (TITLE OF AUTHORIZED OFFICER,) for _____ (NAME OF COMPANY), a Florida _____ (TYPE OF COMPANY).

(Signature of Notary Public - State of Florida)

(Print, Type, or Stamp Commissioned Name of Notary Public)

Personally Known _____ OR Produced Identification _____
Type of Identification Produced: _____

SECTION 010000 - GENERAL REQUIREMENTS**PART 1 PROJECT DESCRIPTION**

1.01 GENERAL

- A. A brief description of the Work is stated in the INVITATION TO BID. To determine the full scope of the project or any particular part of the project, coordinate the applicable information in these Contract Documents and review the available project drawings.
- B. Project specific drawings if necessary will accompany each separate Task Order (TO) under this contract and will become part of the specification. If specifications are not issued with the individual task order, the requirements set forth in the specifications for the award of this contract shall apply for each separate, subsequent associated Task Order. If a conflict occurs between the individual task order specification and the Contract specifications, the most stringent requirement shall apply. Unless indicated in the specific statement of work / task order, for task orders with a value less than \$750,000 with a duration less than six (6) months, specifications 01 32 16.00 25 Construction Progress Schedule and 01 45 00.10 25 Quality Control For Minor Construction shall apply; for task orders with a value equal to and greater than \$750,000 and a duration equal to or greater than six (6) months, specification sections 01 32 17.00 25 Network Analysis Schedules and 01 45 00.00 25 Quality Control shall apply. Additionally, when work is in the vicinity of the airfield, specification 01 35, 13.00 25 Special Project Procedures shall apply. Contractor shall immediately check furnished drawings and specs for each task order package and notify the CITY ENGINEER of any discrepancies.
- C. Location: The work under each task order associated with this contract may be located anywhere within the City of Fort Lauderdale.
- D. Project Environmental Goals: Contractor shall distribute copies of the Environmental Goals to each subcontractor and the City Engineer. The overall goal for design, construction, and operation is to produce a facility/building that meets the functional program needs and incorporates the principles of sustainability. Specifically:
1. Preserve and restore the site ecosystem and biodiversity; avoid site degradation and erosion. Minimize offsite environmental impact.
 2. Use the minimum amount of energy, water, and materials feasible to meet the design intent. Select energy and water efficient equipment and strategies.
 3. Use environmentally preferable products and decrease toxicity level of materials used.
 4. Use renewable energy and material resources.

5. Optimize operational performance (through commissioning efforts) in order to ensure energy efficient equipment operates as intended.
 6. Consider the durability, maintainability, and flexibility of building systems.
 7. Manage construction site and storage of materials to ensure no negative impact on the indoor environmental quality of the building.
 8. Reduce construction waste through reuse, recycling, and supplier take-back.
- E. Work under this Contract shall be performed by the Contractor as required by the City of Fort Lauderdale (City). Work will be authorized by a Notice to Proceed (NTP) issued to the Contractor. The Contractor shall complete all work within the number of calendar days stipulated in the Contract or task order unless an extension in the time of completion is granted by the CITY'S ENGINEER, as stated in the Instructions to Bidders. Upon satisfactory completion of the work and compliance with applicable provisions in the Contract Documents, the Contractor will receive final payment for all work done.
- ~~F. Occupancy of Premises: Building(s) will be occupied during performance of work under this Contract. Before work is started, the Contractor shall arrange with the CITY ENGINEER a sequence of procedure, means of access, space for storage of materials and equipment, use of approaches and any potential impacts to traffic and/or installation operations. **NOT USED**~~
- G. Existing Work: In addition to requirements to protect existing vegetation, structures, equipment, utilities or other improvements, remove or alter existing work in such a manner as to prevent injury or damage to any portions of the existing work which will remain. Repair or replace portions of existing work which have been altered during construction operations to match existing or adjoining work, as approved by the CITY'S ENGINEER. At the completion of operations, existing work shall be in a condition equal to or better than that which existed before new work started.
- H. The following additional information, though not all-inclusive, is given to assist contractors in their evaluation of the work required to meet the project objectives.
- I. The Contractor shall become familiar with the existing operating conditions of the City's water system, sewage transmission system and pumping stations and take such into consideration in planning and scheduling work. No extra claims shall be made for work required to achieve conditions beyond those obtainable under normal operation of the existing transmission, collection and pumping facilities necessary to accomplish the Work.
- A. Contractor shall be required to submit a Maintenance of Traffic (MOT) plan for work in the county and state highways and City streets. Contractor shall coordinate with MOTs for nearby or highway work and obtain approval for all traffic control as required by the permits contained elsewhere in this Section.

PART 2 SEQUENCE OF OPERATIONS**2.01 SCHEDULING**

- A. General: Prepare and submit schedule in accordance with the provisions of Section 013200, Construction Progress Documentation.
- B. Plan the work and carry it out with minimum interference to the operation of the existing facilities. Prior to starting the work, confer with the CITY'S ENGINEER to develop an approved work schedule, which will permit the facilities to function normally as practical. It may be necessary to do certain parts of the construction work outside normal working hours in order to avoid undesirable conditions. The Contractor shall do this work at such times, and at no additional cost to the City. Do not make connections between existing work and new work until necessary inspection and tests have been completed on the new work and it is found to conform in all respects to the requirements of the Contract Documents.
- C. No work shall be started until the Contractor has received approved shop drawings, established material/delivery dates for all equipment, and received approval of the construction schedule from the CITY'S ENGINEER. The Contractor shall have sufficient manpower, equipment, and material to complete the project.
- D. No work shall commence without express consent of the CITY'S ENGINEER.
- E. If a privately owned staging area is required, no work shall commence until approval of the facility is obtained from City Planning and Zoning in accordance with Section 47-19.2 of the Unified Land Development Regulations. Submit a copy of the approval and agreement to the CITY'S ENGINEER.
- F. Special Scheduling Requirements: Have materials, equipment, and personnel required to perform the work at the site prior to the commencement of the work. The Contractor shall conduct his operations so as to cause the least possible interference with normal operations of the activity. Permission to interrupt any Activity roads, railroads, and/or utility service shall be requested in writing a minimum of 15 calendar days prior to the desired date of interruption. The work under this IDIQ contract may require special attention to the scheduling and conduct of the work in connection with existing operations. Special scheduling requirements will be indicated in each individual task order (TO). As indicated in the TO identify on the construction schedule each factor which constitutes a potential interruption to operations.

2.02 MOBILIZATION AND DEMOBILIZATION

- A. Contractor shall be responsible for mobilization and demobilization of labor, materials and equipment. Payment for mobilization and demobilization shall be included in the lump sum price indicated in the Proposal for the project.

2.03 COORDINATION

- A. Contractor shall cooperate in the coordination of separate activities in a manner that will provide the least interference with the Owner's operations and other contractors and utility companies working in the area, and in the interfacing and connection of the separate elements of the overall project work.
- B. If any difficulty or dispute should arise in the accomplishment of the above, the problem shall be brought immediately to the attention of the CITY'S ENGINEER.

2.05 OPERATION OF EXISTING SYSTEM PROHIBITED

- A. At no time is the Contractor to undertake to close off any utility lines or open valves or take any other action, which would affect the operation of existing systems. The City's operations crew will operate all valves. Provide at least one business day notice to City prior to any operations.

PART 3 SITE CONDITIONS

3.01 SITE INVESTIGATION AND REPRESENTATION

- A. The Contractor acknowledges satisfaction as to the general nature and location of the work, the general and local conditions, particularly those bearing upon availability of transportation, availability of labor, water, electric power, roads, and uncertainties of weather, river stages, or similar physical conditions, the character of equipment and facilities needed preliminary to and during the prosecution of the work, and all other matters which can in any way affect the work or the cost thereof under this Contract.
- B. Failure by the Contractor to become acquainted with the physical conditions and all the available information will not relieve the Contractor from responsibility for properly estimating the difficulty or cost of successfully performing the Work.
- C. The Contractor warrants that as a result of examination and investigation of all the aforesaid data, the Contractor can perform the work in a good and workmanlike manner and to the satisfaction of the City. The City assumes no responsibility for any representations made by any of its officers or agents during or prior to the execution of this Contract, unless (1) such representations are expressly stated in the Contract, and (2) the Contract expressly provides that the responsibility therefore is assumed by the City.

3.02 INFORMATION ON SITE CONDITIONS

- A. General: Information obtained by the CITY'S ENGINEER regarding site conditions, subsurface information, groundwater elevations, existing construction of site facilities, as applicable, and similar data will be available for inspection at the office of the CITY'S ENGINEER upon request. Such information is offered as supplementary information only. The CITY'S ENGINEER does not assume any responsibility for the completeness or interpretation of such supplementary information.

3.03 UTILITIES

- A. The Contractor shall be responsible for determining and/or confirming, at his cost, the locations of all utilities within the project area, and shall be responsible for contacting each utility for location and notification prior to commencing work.
- B. The Contractor shall contact potentially affected utilities as provided in Section 010600, Regulatory Requirements & Permits.
- C. The Contractor shall contact Sunshine State One Call at 811 or visit www.callsunshine.com at least 2 business days (10 business days for water crossings) prior to any excavation and make arrangements for locating all utilities in the project area.
- D. Utility Cutovers and Interruptions: Make utility cutovers and interruptions after normal working hours or on Saturdays, Sundays, and City holidays. Conform to procedures required in the paragraph "Work outside Regular Hours." Ensure that new utility lines are complete, except for the connection, before interrupting existing service. Interruption to water, sanitary sewer, storm sewer, telephone service, electric service, air conditioning, heating, fire alarm, compressed air, and CATV or other communications shall be considered utility cutovers pursuant to the paragraph entitled "Work Outside Regular Hours."

3.04 CONTRACTOR'S RESPONSIBILITY FOR UTILITY PROPERTIES AND SERVICE

- A. Where the Contractor's operations could cause damage or inconvenience to utilities, telephone, television, power, water, or sewer systems, the operations shall be suspended until all arrangements necessary for the protection of these utilities and services have been made by the Contractor with the owner of the utility affected.
- B. Notify all utility offices, which are affected by the construction operation at least 2 business days in advance. Under no circumstances expose any utility without first obtaining permission from the appropriate agency. Once permission has been granted, locate, expose, and provide temporary support for all existing underground utilities.
- C. The Contractor shall be solely and directly responsible to the Owner and operators of such properties for any damage, injury, expense, loss, inconvenience, delay, suits, actions, or claims of any character brought because of any injuries or damage, which may result from the construction operations under this Contract.
- D. Neither the Owner nor its officers or agents shall be responsible to the Contractor for damages as a result of the Contractor's failure to protect utilities encountered in the Work.
- E. In the event of interruption to domestic water, sewer, storm drain, or other utility services as a result of accidental breakage due to construction operations, promptly notify the proper authority. Cooperate with said authority in restoration of service as promptly as possible and bear all costs of repair. In no case shall interruption of any water or utility service be allowed to exist outside working hours unless prior approval is granted.

- F. In the event the Contractor encounters water service lines or sewer laterals that interfere with trenching, he may, by obtaining prior approval of the property owner, and the CITY'S ENGINEER, cut the service, dig through, and restore the service with similar and equal materials at the Contractor's expense.
- G. The Contractor shall replace, at his own expense, all existing utilities or structures removed or damaged during construction, unless otherwise provided for in these Contract documents or ordered by the City's Engineer.
- H. Telephone and communications drops and signal systems may extend throughout the project area. Properly located cable, conduit, interface equipment, pull or junction boxes and other signal or systems equipment damaged by the Contractor shall be replaced at the Contractor's expense.
 - a. Damaged cable shall be replaced as an entire run, from junction box to junction box.
 - b. Notify Broward County Engineering two business days in advance of the need to remove traffic detection loops.
 - c. Contractor shall verify marked cables and signal systems prior to excavation.

3.05 INTERFERING STRUCTURES

- A. Take necessary precautions to prevent damage to existing structures whether on the surface, aboveground, or underground.
- B. Protect underground and aboveground existing structures from damage, whether or not they lie within the limits of the easements obtained by the City. Where such existing fences, gates, sheds, buildings, or any other structure must be removed in order to properly carry out the construction, or are damaged during construction, restore to their original condition to the satisfaction of the property owner involved at the Contractor's own expense. Notify the City of any damaged underground structure, and make repairs or replacements before backfilling.
- C. Without additional compensation, the Contractor may remove and shall replace in a condition as good as or better than original, such small miscellaneous structures as fences, mailboxes, and signposts that interfere with the Contractor's operations.

3.06 EASEMENTS AND WORK ON PRIVATE PROPERTY

- A. Where portions of the work are located on public or private property, easements and permits will be obtained by the City, except as otherwise noted in these Specifications. Easements will provide for the use of property for construction purposes to the extent indicated on the easements. Copies of these easements and permits are available upon request to the City. It shall be the Contractor's responsibility to determine the adequacy of the easement obtained in every case and to abide by all requirements and provisions of the easement. The Contractor shall confine his construction operations to within the easement limits or street right-of-way limits or make special arrangements with the property owners or

- appropriate public agency for the additional area required. Any damage to property, either inside or outside the limits of the easements provided by the City or street rights-of-way, shall be the responsibility of the Contractor as specified herein. The Contractor shall provide immediate notice to the owner of any damage to fencing and provide temporary fencing as required to provide a functionally similar level of security. The Contractor shall remove, protect, and replace all fences or other items encountered on public or private property. Before final payment will be authorized by the City's Engineer, the Contractor will be required to furnish the City with written releases from property owners or public agencies where side agreements or special easements have been made by the Contractor or where the Contractor's operations, for any reason, have not been kept within the construction right-of-way obtained by the City or the street right-of-way.
- B. The Contractor shall be responsible for all damage to private property where work related activities have occurred without proper easement or authorization. The City may withhold payment to the Contractor pending resolution of any claims by private owners.
 - C. It is anticipated that the required easements and permits will be obtained before construction is started. However, should the procurement of any easement or permit be delayed, the Contractor shall schedule and perform the work around these areas until such a time as the easement or permit has been secured.
 - D. Prior to removing an existing structure or item, provide written notice to the Owner at least 14 days in advance of the anticipated removal.
 - E. The Contractor shall not engage in private construction activities within the project area without the presence of a contract with the private owner of the property containing a hold harmless clause protecting the City from any and all damages that occur during the performance of the privately authorized work.

PART 4 SAFETY AND CONVENIENCE

4.01 SAFETY AND ACCESS

- A. The Contractor shall do all work necessary to protect the general public from hazards, including, but not limited to, surface irregularities or unramped grade changes in pedestrian sidewalk or walkway, and trenches or excavations in roadway. Barricades, lanterns, and proper signs shall be furnished in sufficient amount to safeguard the public and the work. All barricades and signs shall be clean and serviceable, in the opinion of the City's Engineer.
- B. During construction, the Contractor shall construct and at all times maintain satisfactory and substantial temporary chain link fencing, solid fencing, railing, barricades or steel plates, as applicable, at all openings, obstructions, or other hazards in streets, sidewalks, floors, roofs, and walkways. All such barriers shall have adequate warning lights as necessary, or required, for safety. All lights shall be regularly maintained, and in a fully operational state at all times.

- C. The Contractor shall notify all residences and businesses of planned construction at least 5 (five) business days prior to the start of work in the block where they are located. Such notices shall be brochures or door-hangers with sufficient information to describe the extent and duration of the planned work. Notification activities shall be coordinated with the CITY'S ENGINEER.
- D. Homeowners and business owners shall be provided reasonable access. The Contractor shall provide temporary sidewalks, bridges or driveway access, including safe passage over open excavations as required.

4.02 ACCIDENT REPORTS

- A. In addition, the Contractor must promptly report in writing to the CITY'S ENGINEER all accidents whatsoever arising out of, or in connection with, the performance of the work whether on, or adjacent to, the site, giving full details and statements of witnesses. If death or serious injuries or serious damages are caused, the accident shall be reported immediately by telephone or messenger to the CITY'S ENGINEER.
- B. If a claim is made by anyone against the contractor or any subcontractor on account of any accident, the Contractor shall promptly report the facts in writing to the CITY'S ENGINEER, giving full details of the claim.

4.03 SAFE ACCESS BY FEDERAL, STATE, AND LOCAL GOVERNMENT OFFICIALS

- A. Authorized representatives of the state, federal, or local governmental agencies, shall at all times have safe access to the work, and the Contractor shall provide proper facilities for such access and inspection.

4.04 PROTECTION OF PROPERTY

- A. Protect stored materials located adjacent to the proposed work. Notify property owners affected by the construction at least two business days in advance of the time construction begins. During construction operations, construct and maintain such facilities as may be required to provide access by all property owners to their property. No person shall be cut off from access to his residence or place of business for a period exceeding 2 hours, unless the Contractor has made special arrangements with the affected persons.
- B. The Contractor shall identify and isolate his active work zone in such a manner as to exclude all personnel not employed by him, the CITY'S ENGINEER, and the City.

4.05 FIRE PREVENTION AND PROTECTION

- A. The Contractor shall perform all work in a fire-safe manner. He shall supply and maintain on the site adequate fire-fighting equipment capable of extinguishing incipient fires. The Contractor shall comply with applicable federal, state, and local fire-prevention regulations. Where these regulations do not apply, applicable parts of the National Fire Prevention Standard for Safeguarding Building Construction Operations (NFPA No. 241) shall be followed.

4.06 ACCESS FOR POLICE, FIRE, AND POSTAL SERVICE

- A. Notify the fire department and police department before closing any street or portion thereof. No closing shall be made without the Owner's approval of MOT plan. Notify said departments when the streets are again passable for emergency vehicles. Do not block off emergency vehicle access to consecutive arterial crossings or dead-end streets, in excess of 300 linear feet, without special written permission from the fire department. Conduct operations with the least interference to fire equipment access, and at no time prevent such access. MOT plans that result in restricted access for emergency vehicles must be submitted and approved 2 weeks prior to the proposed closing with separate and specific notification made to the ENGINEER to provide for appropriate agency coordination.
- B. The Contractor shall leave a night emergency telephone number or numbers with the police department, the Engineer, and the Owner, so that contact may be made easily at all times in case of barricade and flare trouble or other emergencies.
- C. Maintain postal service facilities in accordance with the requirements of the U.S. Postal Service. Move mailboxes to temporary locations designated by the U.S. Postal Service, and at the completion of the work in each area, replace them in their original location and in a condition satisfactory to the U.S. Postal Service.

PART 5 PRESERVATION, RESTORATION, AND CLEANUP

5.01 SITE RESTORATION AND CLEANUP

- A. At all times during the work, keep the premises clean and orderly, and upon completion of the Work, repair all damage caused by equipment and leave the project free of rubbish or excess materials of any kind.
- B. Stockpile excavated materials in a manner that will cause the least damage to adjacent lawns, grassed areas, gardens, shrubbery, or fences, regardless of whether these are on private property, or on state, county, or city rights-of-way. Remove all excavated materials from grassed and planted areas, and leave these surfaces in a condition equivalent to their original condition. Replace excavated areas as specified in Section 02221, Trench Excavation and Backfill, raked and graded to conform to their original contours.

5.02 FINISHING OF SITE, BORROW, AND STORAGE AREAS

- A. Upon completion of the project, all areas used by the Contractor shall be properly cleared of all temporary structures, rubbish, and waste materials and properly graded to drain and blend in with the abutting property. Areas used for the deposit of waste materials shall be finished to properly drain and blend with the surrounding terrain. Grassed areas shall be restored as specified.

5.03 HISTORIC PRESERVATION

- A. The Contractor shall coordinate with the historic preservation representative supplied by the owner for initial excavation operations. If the project work should uncover prehistoric or historic artifacts associated with Native American cultures,

early colonial cultures, or American settlements, all project activities in the area shall cease immediately.

- B. All such discoveries shall be reported to the Division of Historical Resources. Review and Compliance Section at (800) 847-7278.
- C. Project activities in the affected area cannot resume without authorization from the Division of Historic Resources.

PART 6 PERMITS

6.01 GENERAL

- A. City has prepared the following application for the Contractor to submit and obtain Permit:
 - a. Not Applicable for this project.
- B. Permits to be obtained by the Contractor include, but are not limited to the following:
 - a. Local, County, and State contracting licenses.
 - b. MOT approval from local, county, and state agencies as required.
 - c. Broward County Planning and Environmental Regulation Division (BCPERD): Dewatering permit, including National Pollution Discharge Elimination System (NPDES) permit if required.
 - d. Environmental Resource Permit if necessary.
- C. The Contractor shall comply with all applicable permit conditions.

END OF SECTION

SECTION 010100 - SUMMARY OF WORK**PART 1 GENERAL****1.01 SCOPE****A. City of Fort Lauderdale**

1. City's Representative/Engineer: Barbara R. Howell, Project Manager II
2. Project Description: The work under this contract shall consist of furnishing all labor, materials, equipment and incidentals necessary for general asphalt, road and pathway base work. Work may include items such as grading, overlays, milling existing asphalt, placing tack coat and plant mix asphaltic concrete compacted to the lines and grades established by the Engineer in City streets, alleys, rights-of-way and within City-owned, or managed property. There may also be work within Florida Department of Transportation's or Broward County's right-of-way, where the City has maintenance responsibility for sidewalk repairs. Work within Broward County right-of-way will require a permit. Application for a Broward County permit may require a letter of credit or cash bond.
3. Project Location: City-wide

1.03 NOTICE TO BIDDERS

- A. The successful bidder, in order to be considered responsive, must possess the appropriate License as described in the Contract Documents.
- B. It should also be noted that the successful bidder will, at the time of the pre-construction conference, be required to show that each of the CONTRACTOR'S subcontractors is in compliance with the City's Code of Ordinances.

1.04 SITE INVESTIGATION

- A. The CONTRACTOR, by virtue of signing the Contract and any associated Task Orders, acknowledges that CONTRACTOR and all subcontractors have satisfied themselves to the nature and location of the work, the general and local conditions including, but not restricted to: those bearing upon transportation; disposal, handling and storage of materials; access roads to the site; the conformation and conditions of the work area; and the character of equipment and facilities needed preliminary to and during the performance of the work. Failure on the part of the CONTRACTOR to completely or properly evaluate the site conditions shall not be grounds for additional compensation.
- B. Soil boring information will not be furnished to the CONTRACTOR. The CONTRACTOR, by virtue of signing the Contract and associated Task Orders, acknowledges that CONTRACTOR and subcontractors have satisfied themselves as to the nature and extent of soil and (underground) water conditions on the project

site. No additional payment will be made to the CONTRACTOR because of differences between actual conditions and those shown by the boring logs.

1.05 WORK BY OTHERS

- A. Concurrent Work by Other CONTRACTORS: The CONTRACTOR'S attention is directed to the fact that other CONTRACTORS may conduct work at the site during the performance of the WORK under this Contract. The CONTRACTOR shall conduct its operations so as to cause little or no delay to WORK of such other CONTRACTORS, and shall cooperate fully with such CONTRACTORS to provide continued safe access to their respective portions of the site, as required to perform work under their respective contracts.
- B. Interference with Work on Utilities: The CONTRACTOR shall cooperate fully with all utility forces of the OWNER or forces of other public or private agencies engaged in the relocation, altering, or otherwise rearranging of any facilities which interfere with the progress of the WORK, and shall schedule the WORK so as to minimize interference with said relocation, altering, or other rearranging of facilities.

1.06 WORK SEQUENCE

- A. The CONTRACTOR shall schedule and perform the work in such a manner as to result in the least possible disruption to the public's use of any parking lot or park facilities, roadways, driveways, and utilities. Utilities shall include but not be limited to water, sewerage, drainage structures, ditches and canals, gas, electric, television, fiber optic lines, and telephone. Prior to commencing with the WORK, the CONTRACTOR shall perform a location investigation of existing underground utilities and facilities in accordance with Section 01530 entitled "Protection of Existing Facilities" and shall have obtained all required permits and permissions, the CONTRACTOR shall also deliver written notice to the CITY'S ENGINEER, and property occupants (private and public) of all planned disruption to roadway, driveways, temporary displacement of fences, mailboxes, street signs and traffic signs, and utilities 72 hours in advance of disruption.

1.07 WORK SCHEDULE

- A. Time is of the essence in completing this project and each associated Task Order. Because time is of the essence the CONTRACTOR shall commit the necessary resources to this project to complete it in a timely manner. Those resources may include multiple working crews, working overtime, etc. Because time is of the essence, the CONTRACTOR'S construction progress will be monitored closely on a weekly basis. The Construction progress will be measured with the approved construction schedule submitted by the CONTRACTOR. If the CITY'S ENGINEER determines that the CONTRACTOR is behind schedule based on the approved schedule's critical path, or if the schedule does not meet the Critical Path Method (CPM) requirements as specified in Section 01311, the CONTRACTOR will be required to commit those resources necessary to ensure the completion of the project in a timely manner including working overtime, adding other work crews, etc. All costs incurred to implement measures to complete the work in timely manner, including any overtime or other fees associated with required inspections, will be borne by the CONTRACTOR at no additional cost to the OWNER.

B. REQUIRED PERIODS OF WORK SUSPENSION

1. CONTRACTOR shall shut down operations for all City Holidays, terminating production work by noon on the day preceding the holiday (or the weekend before said holiday) and not resuming operations until the start of the following week (or the day after the holiday, whichever is later). The CONTRACTOR shall ensure that the site is restored per Sections 01001 and 01010 and all areas that are off limits to the public will be clearly delineated and protected. For a full list of holidays, please refer to the City's website, however these include, but are not limited to New Year's Eve and Day, Martin Luther King's Birthday, Memorial Day, the 4th of July, Labor Day, Thanksgiving Day and the day after Thanksgiving Day, Christmas Eve and Christmas.
2. The CONTRACTOR shall include these provisions in the schedule required in 01311 and there shall be no additional time granted for these work suspensions.
3. No additional compensation shall be granted for demobilization, cleaning and remobilization as a result of these work suspensions.
4. During the work suspensions, the CONTRACTOR shall remain liable for the safety and security of the project site and be available 24 hours per the Contract Documents. CONTRACTOR shall have personnel visit the site daily during these suspensions to ensure the safety and security of the site.

C. SCHEDULE

1. CONTRACTOR shall submit scheduling information for the work noted in the Contract and/or each associated Task Order, as required in Section 013200 "Construction Progress Documentation".
2. No separate payment shall be made for preparation and/or revision of the schedule.

- D. Work Hours: Except in connection with the safety or protection of persons, or the Work, or property at the site or adjacent thereto, and except as otherwise indicated in the Supplementary Conditions, all work at the site shall be performed during regular working hours between 7 a.m. and 6:00 p.m., Monday through Friday. The Contractor will not permit overtime work or the performance of work on Saturday, Sunday or any legal holiday (designated by the City of Fort Lauderdale) without the Project Manager's written consent at least seventy-two (72) hours in advance of starting such work. If the Project Manager permits overtime work, the Contractor shall pay for the additional charges to the City with respect to such overtime work. Such additional charges shall be a subsidiary obligation of the Contractor and no extra payment shall be made to the Contractor for overtime work. It shall be noted that the City's Inspector work hours are from 8:00 AM to 4:30 PM and any Work requiring inspection oversight being performed outside of this timeframe shall be paid for by the Contractor as Inspector overtime. The cost to the Contractor to reimburse the City for overtime inspection is established at direct-labor and overtime costs for

each person or inspector required. Incidental overtime costs for engineering, testing and other related services will also be charged to the Contractor at the actual rate accrued

1.08 COMPUTATION OF CONTRACT TIME

- A. It is the CONTRACTOR'S responsibility to provide clear and convincing documentation to the ENGINEER as to the effect additional work will have with respect to additional contract time extension that may be justified. If additional quantities of work can be carried out concurrent with other existing construction activities without disrupting the critical path of the project then no contract time extension will be granted. The CONTRACTOR is obligated to provide documentation to the ENGINEER if additional elements of work affect the critical path of the project. If work set forth in the original scope of the project is deleted, the contract time may be reduced. This contract is a calendar day contract. While the CONTRACTOR may be granted time to suspend work operations for vacations or holidays, contract time will not be suspended. During suspensions, the CONTRACTOR shall be responsible for all maintenance of traffic and liability without additional compensation from the CITY.

1.09 CONTRACTOR USE OF PREMISES

- A. The CONTRACTOR's use of the project site shall be limited to its construction operations. The CONTRACTOR will arrange for storage of materials and a copy of an agreement for use of other property shall be furnished to the ENGINEER.

1.10 POST AWARD KICK-OFF MEETING

- A. After the award of the Contract, a Post Award Kick-Off Meeting will be held between the CONTRACTOR, the CITY'S ENGINEER, City Staff and other interested parties. The ENGINEER will set the time and place of the conference. The purpose of this meeting is to communicate administrative and operational requirements of the Contract. The requirements for construction mobilization, quality, safety, and execution of the project will be explained and documented. Submittal requirements, project communications, schedule, quality and safety requirements will be outlined and dates set for submission of pre-construction submittals.

1.10 PRE-CONSTRUCTION CONFERENCE

- A. After the award of Contract, a Pre-construction Work Conference will be held between the CONTRACTOR, the ENGINEER, the CITY, other interested Agencies, representatives of Utility Companies and others affected by the work. The ENGINEER will set the time and place of this conference. The CONTRACTOR shall bring to the conference a copy of the proposed work schedule for the approval by the ENGINEER of the proposed methods and manner of executing the work including sequences of operation and time schedule. The work shall be performed in accordance with such schedule or approved amendments thereto.

1.11 UTILITY LOCATIONS

- A. As far as possible, all existing utility lines in the project area have been shown on the plans. However, the CITY does not guarantee that all lines are shown, or that said lines are in their true location. It shall be the CONTRACTOR'S responsibility to identify and locate all underground or overhead utility lines or equipment affected by the project. No additional payment will be made to the CONTRACTOR because of discrepancies in actual and plan location of utilities and damages suffered as a result thereof.
- B. The CONTRACTOR shall notify each utility company involved at least thirty (30) days prior to the start of construction to arrange for positive underground location, relocation or support of its utility where that utility may be in conflict with or endangered by the proposed construction. The CONTRACTOR shall pay for relocation of water mains or other utilities for the convenience of the CONTRACTOR. The CONTRACTOR shall pay for all charges by utility companies for temporary support of its utilities. All costs of permanent utility relocations to avoid conflict shall be the responsibility of the CONTRACTOR and the utility company involved.
- C. The CONTRACTOR shall schedule and coordinate their work in such a manner that they are not delayed by the utility companies relocating or supporting their utilities. No compensation will be paid to the CONTRACTOR for any loss of time or delay.
- D. All overhead, surface, and underground structures and/or utilities encountered are to be carefully protected from damage or displacement. All damage to said structures and/or utilities is to be completely repaired within a reasonable time; needless delay will not be tolerated. The CITY reserves the right to remedy any damage by ordering outside parties to make repairs at the expense of the CONTRACTOR. All repairs made by the CONTRACTOR are to be made to the satisfaction of the utility owner and shall be inspected by a representative of the utility owner and the ENGINEER.
- E. The CONTRACTOR should be aware of the Sunshine State One Call Center, which has a free locating service for CONTRACTORS and excavators. Within forty-eight hours before excavating, dial toll free 1-800-432-4770 (or local 811), and a locator will be dispatched to the work location. CONTRACTOR shall reasonably notify other utility companies not notified by Sunshine State One Call Center.
- F. The permits listed below will be obtained for the project by the CITY prior to beginning construction (when applicable). The CONTRACTOR is responsible for compliance with any and all permit conditions. In the event that the CITY must obtain permits in addition to those listed below, the CONTRACTOR shall not have any claim for damages arising from any delay caused by the CITY'S obtaining said additional permits.
 - a. BCPGMD: Surface Water License.
 - b. BCHCED General Permit
 - c. FDOT Driveway or Drainage Connection Permit
- G. Permits to be obtained by the CONTRACTOR include, but are not limited to the following:

1. Local, County, and State contracting licenses.

1.12 LINE AND GRADE

N/A

1.13 PROTECTION AND RESTORATION OF SURVEY MONUMENTS

- A. The CONTRACTOR shall carefully protect from disturbance all survey monuments, stakes and bench marks, whether or not established by CONTRACTOR, and shall not remove or destroy any surveying point until it has been properly witnessed by the ENGINEER. All major survey monuments that have been damaged by the CONTRACTOR such as section corners, 1/4 section corners, property corners or block control points shall be replaced at the CONTRACTOR'S expense with markers of a size and type approved by the ENGINEER. The replacement shall be under the supervision of a Florida Registered Land Surveyor where directed by the ENGINEER.

1.14 EQUIPMENT

- A. All equipment necessary and required for the proper construction of all facilities shall be on the construction site, in first-class working condition.

1.15 STORAGE SITES

- A. The CONTRACTOR shall furnish, at CONTRACTOR's expense, properly zoned areas suitable for field office, material storage and equipment service and storage. No material may be stored in the public right of way without prior authorization by the agency having jurisdiction. The CONTRACTOR shall keep these areas in a clean and orderly condition so as not to cause a nuisance or sight obstruction to motorists or pedestrians.

1.16 OWNERSHIP OF EXISTING MATERIALS

- A. All materials removed or excavated from the job site shall remain the property of the CITY until released by the Contract Administrator, at which time it shall become the property of the CONTRACTOR, who shall dispose of it in a manner satisfactory to the ENGINEER.

1.17 EXCESS MATERIAL

- A. Upon direction of the ENGINEER, all vegetation, debris, concrete or other unsuitable materials shall be disposed of in areas provided by the CONTRACTOR and approved by the ENGINEER. Any excess material desired to be retained by the CITY shall be delivered by the CONTRACTOR to a designated area within a 5-mile radius of the project, at no extra cost to the CITY.

1.18 AUDIO-VISUAL PRECONSTRUCTION RECORD

- A. General:

SUMMARY OF WORK

010100-6

1. Prior to beginning any Contract or Task Order work, the CONTRACTOR shall thoroughly photograph or have a continuous color audio-video recording taken along the entire length of the project to serve as a record of preconstruction conditions.

1.21 ENVIRONMENTAL PROTECTION

- A. The CONTRACTOR shall furnish all labor and equipment and perform all work required for the prevention of environmental pollution during and as a result of the work under this contract. For the purpose of this contract, environmental pollution is defined as the presence of chemical, physical, or biological elements or agents which adversely affect human health or welfare; unfavorably alter ecological balances of importance to human life, affect other species of importance to man, or degrade the utility of the environment for aesthetic and recreational purposes. The control of environmental pollution requires consideration of air, water, land and involves noise, solid waste management and management of radiant energy and radioactive materials, as well as other pollutants. Environmental pollution prevention shall be in accordance with NPDES requirements with no additional cost to the CITY.

1.22 MAINTENANCE AND PROTECTION OF TRAFFIC

- A. The CONTRACTOR shall provide all necessary traffic control devices in order to redirect, protect, warn or maintain existing vehicular and pedestrian traffic during the course of construction.
 1. Construction Phasing Requirements
N/A for this project

B. TRAFFIC CONTROL

1. The CONTRACTOR is required to submit a conceptual Traffic Control Plan at the Pre-Construction Conference. This preliminary plan should identify the phases of construction that the CONTRACTOR plans to proceed with and identify traffic flows during each phase. The ENGINEER will have ten (10) days to notify the CONTRACTOR of any comments. Once the conceptual plan for maintaining traffic has been approved, the CONTRACTOR will be required to submit a detailed plan showing each phase's Maintenance and Protection Plan prior to starting construction of any phase.

2. The "Maintenance of Traffic" plan shall include pedestrian traffic as well as vehicular traffic.

It shall be the responsibility of the CONTRACTOR for any necessary Construction, Pavement Marking and Signage or any Pedestrian Signalization and/or Signal Modification to accommodate an alternate safe walk route.

3. The CONTRACTOR, at all times, shall conduct the work in such a manner as to insure the least obstruction to traffic as is practical. Convenience of the general public and of the residents adjacent to the work shall be provided for in a satisfactory manner, as determined by the CITY'S ENGINEER.

4. Sidewalks, gutters, drains, fire hydrants and private drives shall, insofar as practical, be kept in condition for their intended uses. Fire hydrants on or adjacent to the work shall be kept accessible to fire apparatus at all times, and no material or obstruction shall be placed within twenty (20) feet of any such hydrant.
5. All existing stop and street name signs will be maintained as long as deemed necessary by the CITY'S ENGINEER.
6. The CONTRACTOR shall furnish a sufficient number of protective devices to protect and divert the vehicular and pedestrian traffic from working areas closed to traffic, or to protect any new work. Failure to comply with this requirement will result in the ENGINEER shutting down the work until the CONTRACTOR provides the necessary protection.
7. Any time traffic is diverted for a period of time that will exceed one-work day temporary pavement markings will be required. Existing pavement markings that conflict with the new work zone traffic pattern must be obliterated. Painting over existing pavement markings (black out) is not permitted.

1.23 MAINTENANCE AND PROTECTION OF EXISTING DRAINAGE SYSTEM

- A. It shall be the responsibility of the contractor to maintain positive drainage on the surface and to ensure that the existing underground drainage system continues to function as intended during the construction. The contractor shall follow the plans to ensure that existing catch basins and manholes are being protected during the entire phase of construction.

1.24 APPLICATION FOR PAYMENT FOR STORED MATERIALS

- A. Application for payment for stored materials may not be made by the CONTRACTOR.

1.25 SPECIAL CONDITIONS FOR CONSTRUCTION BY OTHER AGENCIES

- A. It will be the CONTRACTOR'S responsibility to coordinate construction schedules with other contractors so as to minimize disruptions, and inconveniences. The project site shall be safe at all times for construction workers and marina visitors.

PART 2 PRODUCTS (Not Applicable)

PART 3 EXECUTION (Not Applicable)

END OF SECTION

SECTION 010250 - MEASUREMENT AND PAYMENT**PART 1 GENERAL**

1.01 SUBMITTALS

- A. See Section 013300, Submittal Procedures, and all other references to document submittals. Submittals shall include, but are not limited to:
 - 1. Schedule of Values: Submit schedule on OWNER's form.
 - 2. Application for Payment.
 - 3. Final Application for Payment.

1.02 SCHEDULE OF VALUES

- A. Prepare a schedule of values for the Work.
- B. Unit Price Work: Reflect unit price quantity and price breakdown from conformed Bid Form.
- C. Lump Sum Work:
 - 1. Reflect schedule of values format included in conformed Bid Form.
 - 2. List Bonds and insurance premiums, mobilization, demobilization, facility startup, and contract closeout separately.
 - 3. Break down by Divisions 2 through 16 with appropriate subdivision of each Specification.
- D. An unbalanced or front-end loaded schedule will not be acceptable.
- E. Summation of the complete schedule of values representing all the Work shall equal the Contract Price.

1.03 APPLICATION FOR PAYMENT

- A. Transmittal Summary Form: Attach one Summary Form with each detailed Application for Payment and include Request for Payment of Materials and Equipment on Hand as applicable. Execute certification by authorized officer of CONTRACTOR.
- B. Use detailed Application for Payment Form provided by OWNER.

- C. Include accepted schedule of values for each portion of Work and the unit price breakdown for the Work to be paid on unit price basis, and a listing of OWNER-selected equipment, if applicable, and allowances, as appropriate.
- D. Preparation:
 - 1. Round values to nearest dollar.
 - 2. List each Change Order and Written Amendment executed prior to date of submission as separate line item. Totals to equal those shown on the Transmittal Summary Form.
 - 3. Submit Application for Payment, including a Transmittal Summary Form and detailed Application for Payment Form, a listing of materials on hand as applicable, and such supporting data as may be requested by OWNER.

1.04 MEASUREMENT—GENERAL

- A. Weighing, measuring, and metering devices used to measure quantity of materials for Work shall be suitable for purpose intended and conform to tolerances and Specifications as specified in National Institute of Standards and Technology, Handbook 44.
- B. Whenever pay quantities of material are determined by weight, material shall be weighed on scales furnished by CONTRACTOR and certified accurate by state agency responsible. Weight or load slip shall be obtained from weigher and delivered to CONSTRUCTION MANAGER or OWNER's representative at point of delivery of material.
- C. If material is shipped by rail, car weights will be accepted provided that actual weight of material only will be paid for and not minimum car weight used for assessing freight tariff, and provided further that car weights will not be acceptable for material to be passed through mixing plants.
- D. Vehicles used to haul material being paid for by weight shall be weighed empty daily and at such additional times as required by CONSTRUCTION MANAGER. Each vehicle shall bear a plainly legible identification mark.
- E. Materials that are specified for measurement by the cubic yard measured in the vehicle shall be hauled in vehicles of such type and size that actual contents may be readily and accurately determined. Unless all vehicles are of uniform capacity, each vehicle must bear a plainly legible identification mark indicating its water level capacity. Vehicles shall be loaded to at least their water level capacity. Loads hauled in vehicles not meeting above requirements or loads of a quantity less than the capacity of the vehicle, measured after being leveled off as above provided, will be subject to rejection, and no compensation will be allowed for such material.
- F. Where measurement of quantities depends on elevation of existing ground, elevations obtained during construction will be compared with those shown on

Drawings. Variations of 1 foot or less will be ignored, and profiles shown on Drawings will be used for determining quantities.

- G. Units of measure shown on Bid Form shall be as follows, unless specified otherwise. All methods of measurement shall be approved by the CONSTRUCTION MANAGER.

Item	Method of Measurement
AC	Acre—Field Measure
CY	Cubic Yard—Field Measure within limits specified or shown, or measured in vehicle by volume, as specified
EA	Each—Field Count
GAL	Gallon—Field Measure
HR	Hour
LB	Pound(s)—Weight Measure by Scale
LF	Linear Foot—Field Measure
LS	Lump Sum—Unit is one; no measurement will be made
SF	Square Foot
SY	Square Yard
TON	Ton—Weight Measure by Scale (2,000 pounds)

1.05 PAYMENT

A. General:

1. Progress payments will be made monthly.
2. The date for CONTRACTOR's submission of monthly Application for Payment.

1.06 NONPAYMENT FOR REJECTED OR UNUSED PRODUCTS

A. Payment will not be made for following:

1. Loading, hauling, and disposing of rejected or unused material.
2. Quantities of material wasted or disposed of in manner not called for under Contract Documents.
3. Rejected loads of material, including material rejected after it has been placed by reason of failure of CONTRACTOR to conform to provisions of Contract Documents.
4. Material not unloaded from transporting vehicle.
5. Defective Work not accepted by OWNER.
6. Material remaining on hand after completion of Work.

1.07 MOBILIZATION

- A. ~~See Section 01505, Mobilization, for payment limitations. All environmental compliance matters except for erosion control system shall be included in Mobilization.~~ **NOT USED**
- B. Payment for mobilization will be made at an allowance price named in the Bid Schedule. Payment for mobilization will be made in equal monthly amounts during the duration of the original Task Order time.

1.08 MAINTENANCE OF TRAFFIC (M.O.T.)

- A. See Section 015700, Traffic Regulations, and all other references to traffic control and maintenance, as well as parking control and maintenance in this document and any regulatory requirements.
- B. ~~Payment for maintenance of traffic will be made at an allowance price named in the Bid Schedule. Payment for maintenance of traffic and parking activities will be made in equal monthly amounts during the duration of the original contract time.~~ **Not used**

1.09 DEMOLITION

- A. ~~Measurement for payment to remove and dispose of existing hardscape elements will be based on a lump sum inclusive of all work on the Landscape drawings.~~
- B. ~~This lump sum payment for removal and disposal of existing hardscape elements as indicated on the Design Drawings shall constitute full compensation for the removal and disposal of all concrete, asphalt or structures. This includes, but is not limited to sidewalks, curbs, aprons, concrete collars, brick pavers, and all other miscellaneous concrete as directed by the ENGINEER. Existing structures will not be compensated under this line item.~~ **Not used**

1.10 PAVING AND DRAINAGE

- A. Measurement for payment to furnish and install drainage structures, inlets or top slabs, connections, and paving in addition to all required connections, modifications and cleaning of drainage facilities will be based on the line items provided for each item of work for all work to be performed on the applicable drawings, all in accordance with the requirements of the Contract Documents.
- B. Payment for furnishing and installing, modifying or cleaning all drainage appurtenances in the design drawings which price shall constitute full compensation for the completed installation of the structure including but not limited to excavation, backfill, compaction, modifications, disposal, cleaning, all required dewatering and full compliance with the Trench Safety Act.

1.11 WATER AND SEWER(Not applicable for this project)

MEASUREMENT AND PAYMENT

010250-4

- A. Measurement for payment to furnish and install all water and sewer items will be lump sum for all work to be performed on the applicable drawings, all in accordance with the requirements of the Contract Documents.
- B. Payment for furnishing and installing all water and sewer items shall constitute full compensation for the completed installation of the structure including but not limited to excavation, backfill, compaction, modifications, disposal, cleaning, all required dewatering and full compliance with the Trench Safety Act.

1.12 STRUCTURES (Not applicable for this project)

- A. Measurement for payment to furnish and install all shade structures and other structures, will be lump sum for all work to be performed on the applicable drawings, all in accordance with the requirements of the Contract Documents.
- B. Payment for furnishing and installing shade structures and other structures, shall constitute full compensation for the completed installation of the structure including but not limited to excavation, dewatering, backfill, compaction, modifications, disposal and cleaning.

1.13 AMENITIES (Not applicable for this project)

- A. Measurement for payment to furnish and install all amenities will be lump sum for all work to be performed on the applicable drawings, all in accordance with the requirements of the Contract Documents.
- B. Payment for furnishing and installing all amenities shall constitute full compensation for the completed installation of the structure including but not limited to excavation, dewatering, backfill, compaction, modifications, disposal and cleaning.

1.14 LANDSCAPING

- A. Measurement for payment to furnish and install trees, sod, groundcover and irrigations will be lump sum for all work to be performed on the applicable drawings, all in accordance with the requirements of the Contract Documents.
- B. Payment for furnishing and installing all trees, sod, groundcover and irrigations, shall constitute full compensation for the completed installation of the structure including but not limited to excavation, dewatering, backfill, compaction, modifications, disposal and cleaning.

1.15 ELECTRICAL(Not applicable for this project)

- A. Measurement for payment to furnish and install all electrical equipment and conduits, will be lump sum for all work to be performed on the applicable drawings, all in accordance with the requirements of the Contract Documents.
- B. Payment for furnishing and installing all electrical equipment and conduits, shall constitute full compensation for the completed installation of the structure including

but not limited to excavation, dewatering, backfill, compaction, modifications, disposal and cleaning.

1.16 PERMIT FEES

- A. Measurement for payment for permit fees will be based upon the actual permit fees required by the CONTRACTOR from the various agencies having jurisdiction for construction of the project, all in accordance with the Contract Documents. The allowance for permit fee amounts shown on the bid schedule is an estimate of permit fees required for the project and is a cost pass through item. The permit fees are based on allowances and OWNER will reconcile the actual cost with the CONTRACTOR by change order. The CONTRACTOR shall produce documentation upon request verifying actual cost. Only permit fees substantiated and approved by the ENGINEER will be paid as part of this bid item.
- B. Because payment for permit fees will be paid as part of this bid item, payment for permit fees will not be paid as part of mobilization.

1.17 CONSIDERATION FOR INDEMNIFICATION (OWNER/ENGINEER)

- A. Measurement for payment for indemnification of the OWNER and ENGINEER will be based upon the lump sum named for such work, all in accordance with the requirements of the contract documents.
- B. Payment will be twenty-five dollars for consideration for indemnification named in the bid schedule and shall constitute full compensation for indemnifying the OWNER and ENGINEER as specified in the contract documents.

1.18 ALLOWANCE FOR FPL/COMCAST/AT&T

N/A for this project

PART 2 PRODUCTS (Not Applicable)

PART 3 EXECUTION (Not Applicable)

END OF SECTION

SECTION 012200-1 - UNIT PRICES**PART 1 - GENERAL****1.1 RELATED DOCUMENTS**

- A. Drawings and general provisions of the Contract, including General and Supplementary Conditions and other Division 01 Specification Sections, apply to this Section.

1.2 SUMMARY

- A. This Section includes administrative and procedural requirements for unit prices.
- B. Related Sections include the following:
 - 1. Division 01 Section "Contract Modification Procedures" for procedures for submitting and handling Change Orders.
 - 2. Division 01 Section "Quality Requirements" for general testing and inspecting requirements.

1.3 DEFINITIONS

- A. Unit price is stated on the Bid Form, as a price per unit of measurement for materials or services added to or deducted from the Contract Sum by appropriate modification, if estimated quantities of Work required by the Contract Documents are increased or decreased.

1.4 PROCEDURES

- A. Unit prices include all necessary material, plus cost for delivery, installation, insurance, applicable taxes, overhead, and profit.
- B. Measurement and Payment: Refer to individual Specification Sections for work that requires establishment of unit prices. Methods of measurement and payment for unit prices are specified in those Sections.
- C. City reserves the right to reject Contractor's measurement of work-in-place that involves use of established unit prices and to have this work measured, at City's expense, by City Surveyor or City Construction Inspector.

PART 2 - PRODUCTS (Not Used)**PART 3 - EXECUTION (Not Used)****END OF SECTION 012200**

SECTION 012600 - CONTRACT MODIFICATION PROCEDURES**PART 1 - GENERAL****1.1 RELATED DOCUMENTS**

- A. Drawings and general provisions of the Contract, including General and Supplementary Conditions and other Division 01 Specification Sections, apply to this Section.

1.2 SUMMARY

- A. This Section specifies administrative and procedural requirements for handling and processing Contract modifications.
- B. Related Sections include the following:
 - 1. Division 01 Section "Product Requirements" for administrative procedures for handling requests for substitutions made after Contract award.

1.3 MINOR CHANGES IN THE WORK

- A. Project Manager may issue supplemental instructions authorizing Minor Changes in the Work, not involving adjustment to the Contract Sum or the Contract Time.

1.4 REQUESTS FOR INFORMATION

- A. If latent or unforeseen conditions arise that may require changes in the Work, the Contractor may submit a Request for Information to the Construction Manager.

1.5 PROPOSAL REQUESTS

- A. City-Initiated Proposal Requests: Project Manager will issue a detailed description of proposed changes in the Work that may require adjustment to the Contract Sum or the Contract Time. If necessary, the description will include supplemental or revised Drawings and Specifications.
 - 1. Proposal Requests issued by Project Manager are not instructions either to stop work in progress or to execute the proposed change.
 - 2. Within time specified in Proposal Request after receipt of Proposal Request, submit a quotation estimating cost adjustments to the Contract Sum and the Contract Time necessary to execute the change.
 - a. Include a list of quantities of products required or eliminated and unit costs, with total amount of purchases and credits to be made. If requested, furnish survey data to substantiate quantities.
 - b. Indicate applicable taxes, delivery charges, equipment rental, and amounts of trade discounts.
 - c. Include costs of labor and supervision directly attributable to the change.
 - d. Include an updated Contractor's Construction Schedule that indicates the effect of the change, including, but not limited to, changes in activity duration, start and finish times, and activity relationship. Use available total float before requesting an extension of the Contract Time.
 - e. Quotation Form: Use forms acceptable to Project Manager.

- B. Contractor-Initiated Proposals: If latent or changed conditions require modifications to the Contract, Contractor may initiate a claim by submitting a request for a change to Project Manager.
1. Include a statement outlining reasons for the change and the effect of the change on the Work. Provide a complete description of the proposed change. Indicate the effect of the proposed change on the Contract Sum and the Contract Time.
 2. Include a list of quantities of products required or eliminated and unit costs, with total amount of purchases and credits to be made. If requested, furnish survey data to substantiate quantities.
 3. Indicate applicable taxes, delivery charges, equipment rental, and amounts of trade discounts.
 4. Include costs of labor and supervision directly attributable to the change.
 5. Include an updated Contractor's Construction Schedule that indicates the effect of the change, including, but not limited to, changes in activity duration, start and finish times, and activity relationship. Use available total float before requesting an extension of the Contract Time.
 6. Comply with requirements in Division 01 Section "Substitution Procedures" if the proposed change requires substitution of one product or system for product or system specified.
 7. Proposal Request Form: Use forms acceptable to Project Manager.

1.6 CHANGE ORDER PROCEDURES

- A. On City's approval of a Proposal Request, Project Manager will issue a Change Order for signature of the Contractor on City's standard form. The Change Order will not be official until approved by the appropriate City Officials and signed by the City Project Manager, City Manager and/or Mayor.

1.7 CONSTRUCTION CHANGE DIRECTIVE

- A. Work Change Directive: Project Manager may issue a Work Change Directive. Work Change Directive instructs Contractor to proceed with a change in the Work, for subsequent inclusion in a Change Order.
1. Work Change Directive contains a complete description of change in Work. It also designates method to be followed to determine change in the Contract Sum or the Contract Time.
- B. Documentation: Maintain detailed records on a time and material basis of work required by the Work Change Directive.
1. After completion of change, submit an itemized account and supporting data necessary to substantiate cost and time adjustments to the Contract.

PART 2 - PRODUCTS (Not Used)

PART 3 - EXECUTION (Not Used)

END OF SECTION 012600

SECTION 012900 - PAYMENT PROCEDURES**PART 1 - GENERAL****1.1 RELATED DOCUMENTS**

- A. Drawings and general provisions of the Contract, including General and Supplementary Conditions and other Division 01 Specification Sections, apply to this Section.

1.2 SUMMARY

- A. This Section specifies administrative and procedural requirements necessary to prepare and process Applications for Payment.
- B. Related Sections include the following:
 - 1. Division 01 Section "Contract Modification Procedures" for administrative procedures for handling changes to the Contract.
 - 2. Division 01 Section "Unit Prices" for administrative requirements governing use of unit prices.
 - 3. Division 01 Section "Construction Progress Documentation" for administrative requirements governing preparation and submittal of Contractor's Construction Schedule and Submittals Schedule.
- C. BASIS OF PAYMENT - The price for each items shall include the furnishing of all labor, materials, equipment and incidentals required to complete the construction and to repair in a manner satisfactory to the Project Manager any and all damage, as a result of work under this contract, done to existing structures, pavement, driveways paved areas, curbs and gutters, sidewalks, shrubbery, grass, trees, utility poles, utility pipe lines, conduits, drains, catch basins, flagstones, rocked, graveled or stabilized areas or driveways and including all above and underground obstructions not specifically named here-in: replacing in a manner satisfactory to the Project Manager and or all of the above items which may be damaged beyond repair as a result of work under this contract: performing the work necessary to complete any and all special connections, hangers, supports, bracing, blocking, shoring and patching necessary to complete the contract in a finished workmanlike manner ready for operation.
- D. Retainage: The City shall retain a portion of each partial payment according to the following schedule:
 - 1. The City will retain ten percent (10%) of all monies earned by Contractor until the work is completed.

1.3 DEFINITIONS

- A. Schedule of Values: A statement furnished by Contractor allocating portions of the Contract Sum to various portions of the Work and used as the basis for reviewing Contractor's Applications for Payment.

1.4 SCHEDULE OF VALUES

- A. Coordination: Coordinate preparation of the Schedule of Values with preparation of

Contractor's Construction Schedule.

1. Correlate line items in the Schedule of Values with other required administrative forms and schedules, including the following:
 - a. City's Form - Periodic Estimate for Partial Payment.
 - b. Submittals Schedule.
 - c. Contractor's Construction Schedule.
 2. Submit the Schedule of Values to City Representative at earliest possible date but no later than seven days before the date scheduled for submittal of initial Applications for Payment.
- B. Format and Content: Use the Project Manual table of contents as a guide to establish line items for the Schedule of Values. Provide at least one line item for each Specification Section.
1. Identification: Include the following Project identification on the Schedule of Values:
 - a. Project name and location.
 - b. Project Number
 - c. Contractor's name and address.
 - d. Date of submittal.
 2. Arrange the Schedule of Values in tabular form with separate columns to indicate the following for each item listed:
 - a. Related Specification Section or Division.
 - b. Description of the Work.
 - c. Name of subcontractor.
 - d. Name of manufacturer or fabricator.
 - e. Name of supplier.
 - f. Change Orders (numbers) that affect value.
 - g. Dollar value.
 - 1) Percentage of the Contract Sum to nearest one-hundredth percent, adjusted to total 100 percent.
 3. Provide a breakdown of the Contract Sum in enough detail to facilitate continued evaluation of Applications for Payment and progress reports. Coordinate with the Project Manual table of contents. Provide several line items for principal subcontract amounts, where appropriate.
 4. Round amounts to nearest whole dollar; total shall equal the Contract Sum.
 5. Provide a separate line item in the Schedule of Values for each part of the Work where Applications for Payment may include materials or equipment purchased or fabricated and stored, but not yet installed.
 - a. Differentiate between items stored on-site and items stored off-site. If specified, include evidence of insurance or bonded warehousing.
 6. Provide separate line items in the Schedule of Values for initial cost of materials, for each subsequent stage of completion, and for total installed value of that part of the

Work.

7. Allowances: Provide a separate line item in the Schedule of Values for each allowance. Show line-item value of unit-cost allowances, as a product of the unit cost, multiplied by measured quantity. Use information indicated in the Contract Documents to determine quantities.
8. Each item in the Schedule of Values and Applications for Payment shall be complete. Include total cost and proportionate share of general overhead and profit for each item.
 - a. Temporary facilities and other major cost items that are not direct cost of actual work-in-place may be shown either as separate line items in the Schedule of Values or distributed as General Conditions expense, at Contractor's option.
9. Schedule Updating: Update and resubmit the Schedule of Values before the next Applications for Payment when Change Orders or Construction Change Directives result in a change in the Contract Sum.

1.5 APPLICATIONS FOR PAYMENT

- A. The General Contractor must meet with the City Representative on or about the 25th of each month. The City Representative will go over the pay items and agree on the quantities and the dollar amounts of the work completed during the month. A copy of the agreed amounts will be signed by the parties and a copy will be left with each representative.
- B. The General Contractor will make up a partial pay request using the City-supplied forms and submit the request to the City Representative before the first of the upcoming month.
- C. Each pay request must be accompanied by a partial release of lien by the General Contractor and by all Subcontractors, suppliers, and for all labor, as outlined below.
 1. Starting with the second (2nd) pay request and for each and every pay request thereafter, the General Contractor shall submit partial release of liens from all Subcontractors, suppliers, and laborers covering the preceding month's request (SEE FOLLOWING EXAMPLE).
 2. EXAMPLE: In the first (1st) pay request, payment is requested by General Contractor for the asbestos contractor and the electrician. The General Contractor must attach his partial release of lien.
 3. For the second (2nd) pay request, the General Contractor must attach his partial release of lien from the asbestos contractor and the electrician for the amounts billed in the 1st pay request; i.e., the General Contractor will be running one (1) month behind with the releases from the Subcontractors, suppliers, etc., until the final pay request.
- D. For the final pay request, the General Contractor will be required to submit FINAL release of liens for ALL Subcontractors, suppliers, etc., and for ALL labor BEFORE FINAL PAYMENT WILL BE MADE.
- E. No partial payments, after the first payment, will be made until all partial release of liens are submitted for the preceding month's billing, as described
- F. Each Application for Payment shall be consistent with previous applications and payments as certified by and paid for by City.
- G. Payment Application Forms: Use City Form "PERIODIC ESTIMATE FOR PARTIAL

PAYMENT” as form for Applications for Payment.

1. Application Preparation: Complete every entry on form. Notarize and execute by a person authorized to sign legal documents on behalf of Contractor. City will return incomplete applications without action.
 2. Entries shall match data on the Schedule of Values and Contractor's Construction Schedule. Use updated schedules if revisions were made.
 3. Include amounts of Change Orders and Construction Change Directives issued before last day of construction period covered by application.
- H. Release of Lien: With each Application for Payment, submit release of lien from every entity who is lawfully entitled to file a mechanic's lien arising out of the Contract and related to the Work covered by the payment.
1. Submit partial release of lien on each item for amount requested in previous application, after deduction for retainage, on each item.
 2. When an application shows completion of an item, submit final release of lien.
 3. City reserves the right to designate which entities involved in the Work must submit release of lien forms.
- I. Initial Application for Payment: Administrative actions and submittals that must precede or coincide with submittal of first Application for Payment include the following:
1. List of subcontractors.
 2. Schedule of Values.
 3. Contractor's Construction Schedule.
 4. Submittals Schedule
 5. List of Contractor's staff assignments.
 6. Copies of building permits.
 7. Copies of authorizations and licenses from authorities having jurisdiction for performance of the Work.
 8. Report of preconstruction conference.
 9. Certificates of insurance and insurance policies..
 10. Performance and payment bonds.
- J. City may withhold, in whole or in part, payment to such extent as may be necessary to protect itself from loss on account of:
1. Defective Work not remedied.
 2. Claims filed or reasonable evidence indicating probable filing of claims by other parties against Contractor or City because of Contractor's performance.
 3. Failure of Contractor to make payments properly to Subcontractors or for material or labor.
 4. Damage to another contractor not remedied.
 5. Liquidated damages and costs incurred by City and/or Consultant for extended construction administration.
 6. Failure of Contractor to provide any and all documents required by the Contract Documents.
- K. Final Payment Application: Submit final Application for Payment with releases and supporting documentation not previously submitted and accepted, including, but not limited, to the following:

1. Evidence of completion of Project closeout requirements.
2. Insurance certificates for products and completed operations where required and proof that taxes, fees, and similar obligations were paid.
3. Updated final statement, accounting for final changes to the Contract Sum.
4. Evidence that claims have been settled.
5. Final meter readings for utilities, a measured record of stored fuel, and similar data as of date of Substantial Completion or when City took possession of and assumed responsibility for corresponding elements of the Work.
6. Final, liquidated damages settlement statement.

L. The acceptance of final payment shall constitute a waiver of all claims by contractor, except those previously made in strict accordance with the provisions of the Contract and identified by Contractor as unsettled at the time of the application for final payment.

PART 2 - PRODUCTS (Not Used)

PART 3 - EXECUTION (Not Used)

END OF SECTION 012900

**SECTION 013100
PROJECT MANAGEMENT AND COORDINATION**

PART 1 - GENERAL**1.1 RELATED DOCUMENTS**

- A. Drawings and general provisions of the Contract, including General and Supplementary Conditions and other Division 01 Specification Sections, apply to this Section.

1.2 SUMMARY

- A. This Section includes administrative provisions for coordinating construction operations on Project including, but not limited to, the following:
1. Coordination Drawings.
 2. Special Project Procedures
 3. Administrative and supervisory personnel.
 4. Project meetings.
 5. Requests for Interpretation (RFIs).
- B. Each contractor shall participate in coordination requirements. Certain areas of responsibility will be assigned to a specific contractor.
- C. Related Sections include the following:
1. Division 01 Section "Construction Progress Documentation" for preparing and submitting Contractor's Construction Schedule.
 2. Division 01 Section "Execution Requirements" for procedures for coordinating general installation and field-Engineering services, including establishment of benchmarks and control points.
 3. Division 01 Section "Closeout Procedures" for coordinating closeout of the Contract.

1.3 DEFINITIONS

- A. RFI: Request from Contractor seeking interpretation or clarification of the Contract Documents.

1.4 COORDINATION

- A. Coordination: Coordinate construction operations included in different Sections of the Specifications to ensure efficient and orderly installation of each part of the Work. Coordinate construction operations, included in different Sections that depend on each other for proper installation, connection, and operation.

1.5 SUBMITTALS

- A. Subcontract List: Prepare a written summary identifying individuals or firms proposed for each portion of the Work, including those who are to furnish products or equipment fabricated to a special design. Include the following information in tabular form:
1. Name, address, and telephone number of entity performing subcontract or supplying

- products.
2. Number and title of related Specification Section(s) covered by subcontract.
- B. Key Personnel Names: Within 15 days of notice to proceed, submit a list of key personnel assignments, including superintendent and other personnel in attendance at Project site. Identify individuals and their duties and responsibilities; list addresses and telephone numbers, including home and office telephone numbers. Provide names, addresses, and telephone numbers of individuals assigned as standbys in the absence of individuals assigned to Project.

1.6 SPECIAL PROJECT PROCEDURES

- A. Discrepancies, Errors: Should discrepancies or errors appear in the drawings or specifications concerning materials, workmanship, or quantity of work to be performed, the Contractor will be required to immediately notify the City before proceeding with the work. If the Contractor fails to notify the City and proceeds with the work, Contractor will be required to correct the errors at his/her own expense. In the event of a conflict between the drawings and specifications, the City will decide on the way to perform the work or supply the materials. See also General Conditions, "Contractor to Check Plans and Data," Section 5-76.
- B. Dimensions and Measurements: The figured dimensions on the drawings or notes including dimensions shall be used for construction instead of measurements of the drawings by scale. No scale measurements shall be used as a dimension for construction. Dimensions on all drawings as well as the detail drawings themselves are subject in every case to measurements of adjacent or previously completed work. All such measurements necessary shall be taken before undertaking any work dependent upon such data. Field verification of dimensions on plans is mandatory since actual locations, distances, and levels will be governed by actual field conditions.
- C. Discrepancies or Inconsistencies: Should any discrepancy or inconsistency appear between larger and smaller scale drawings in any of the divisions of the specifications or in any of the contract documents, such discrepancy shall be immediately submitted to the City for correction before proceeding with the work in question. In no case shall the Contractor make any alterations, erasures, changes or modifications in the drawings or specifications.
1. Should it appear that any of the work as specified or shown by the drawings is not sufficiently detailed or explained, the Contractor shall apply to the City for such further details or information as may be necessary for full understanding of the work in question.
 2. The data set forth in these specifications and indicated on the drawings are as accurate as can be obtained, but their extreme accuracy is not guaranteed. Final application thereto shall be determined on the job as conditions may demand and subject to the approval of the City.
- D. Plans and Specifications Acknowledgment by Subcontractors and Suppliers: All Subcontractors and suppliers must submit, through the General Contractor to the City Project Manager, a statement on their individual letterhead stationary, signed and sealed with their corporate seal, or a notarized statement on their letterhead stationery in the absence of a corporate seal, that the individual Subcontractor or Supplier:
1. Has received or reviewed a FULL set of approved plans and specifications for the

- project,
2. Is aware that items concerning their particular trade may be shown and/or detailed in other trades or sections of the plans and specifications, and
 3. Will comply with said plans, specifications and all applicable codes and permit requirements.
- E. In the event a Subcontractor or Supplier notes a mistake or details appear incomplete, or if there are questions or concerns with the plans and specifications, the Subcontractor or Supplier will immediately notify the General Contractor. No work will proceed until such conflicts or questions are resolved in writing.
- F. The Subcontractor will not be permitted to start work, nor will any Shop drawings/submittals be accepted for review from a supplier until this letter of acknowledgment is received and approved by the General Contractor and City Project Manager. Also, the City will not process any pay request for the work of any Subcontractor or Supplier whose acknowledgment letter is not on file with the City.

1.7 ADMINISTRATIVE AND SUPERVISORY PERSONNEL

- A. The Contractor shall employ a competent superintendent who can communicate with spoken English, and who shall be in attendance at the site full-time when any work is in progress. The superintendent shall be satisfactory to the City's Project Manager and shall not be changed except with the consent of the City's Project Manager.
- B. General: In addition to Project superintendent, provide other administrative and supervisory personnel as required for proper performance of the Work.

1.8 PROJECT MEETINGS

- A. General: Schedule and conduct meetings and conferences at Project site, unless otherwise indicated.
1. Attendees: Inform participants and others involved, and individuals whose presence is required, of date and time of each meeting. Notify City Representative of scheduled meeting dates and times.
 2. Agenda: Prepare the meeting agenda. Distribute the agenda to all invited attendees.
 3. Minutes: Record significant discussions and agreements achieved. Distribute the meeting minutes to everyone concerned, including City Representative and Project Manager, within 48 hours of the completion of the meeting.
 - a. Minutes from all meetings shall be prepared by the Contractor, reflecting all items discussed as well as agreed upon or suggested solutions. These minutes shall be a true reflection of what actually happened at the meeting.
 - b. Items discussed and not resolved or being handled by any one of the parties present shall be reflected along with the name of the person responsible in all ongoing minutes until it is resolved.
 - c. Minutes shall be typewritten within 24 hours from the completion of the meeting. They shall immediately be FAXED to all parties present and followed by a copy through the mail.
 - d. All items requiring information and not resolved shall be reflected in each and every set of minutes thereafter until it is totally resolved

- B. Preconstruction Meeting: After the contract(s) has been awarded, executed, and a tentative work schedule has been composed, and prior to the start of the work, the Contractor(s), the Project Manager, the City's Representative, and other persons and/or governmental agencies that are involved shall meet. The minimum agenda is to include but is not limited to the following:
1. Distribute and discuss list of major Subcontractors
 2. Tentative construction schedule
 3. Critical work sequencing and long-lead items
 4. Designation of key personnel and their duties
 5. Procedures for processing field decisions and Change Orders
 6. Procedures for RFIs
 7. Procedures for testing and inspecting
 8. Adequacy of distribution of contract documents
 9. Submittal of Shop drawings, project data, and samples
 10. Procedures for maintaining Record documents
 11. Use of premises
 12. Protection of existing construction including landscape materials
 13. Work restrictions
 14. Construction waste management and recycling
 15. Parking availability
 16. Working hours
 17. Safety and first-aid procedures
 18. Security procedures
 19. Housekeeping procedures including progress cleaning.
 20. Schedule of values.
 21. Processing of payments or contract.
- C. Progress Meetings: Conduct progress meetings at biweekly intervals. Coordinate dates of meetings with preparation of payment requests.
1. Attendees: In addition to representatives of City and Project Manager, each contractor, subcontractor, supplier, and other entity concerned with current progress or involved in planning, coordination, or performance of future activities shall be represented at these meetings. All participants at the conference shall be familiar with Project and authorized to conclude matters relating to the Work.
 2. Agenda: Review and correct or approve minutes of previous progress meeting. Review other items of significance that could affect progress. Include topics for discussion as appropriate to status of Project.
 - a. Review and approve minutes of previous Progress Meeting.
 - b. Contractor's Construction Schedule: Review progress since the last meeting. Determine whether each activity is on time, ahead of schedule, or behind schedule, in relation to Contractor's Construction Schedule. Determine how construction behind schedule will be expedited; secure commitments from parties involved to do so. Discuss whether schedule revisions are required to ensure that current and subsequent activities will be completed within the Contract Time.
 - 1) Review schedule for next period.
 - c. Review present and future needs of each entity present, including the following:
 - 1) Sequence of operations.

- 2) Status of submittals.
 - 3) Deliveries.
 - 4) Off-site fabrication.
 - 5) Access.
 - 6) Work hours.
 - 7) Hazards and risks.
 - 8) Progress cleaning.
 - 9) Quality and work standards.
 - 10) Status of correction of deficient items.
 - 11) Field observations.
 - 12) RFIs.
 - 13) Status of proposal requests.
 - 14) Pending changes.
 - 15) Status of Change Orders.
 - 16) Pending claims and disputes.
 - 17) Documentation of information for payment requests.
3. Minutes: General Contractor shall record the meeting minutes. These minutes shall indicate all items discussed as well as agreed upon or suggested solutions. They shall be a true reflection of what occurred at the meeting.
 4. Reporting: Within 24 hours, distribute minutes of the meeting by fax transmittal to each party present and to parties who should have been present.
 - a. Schedule Updating: Revise Contractor's Construction Schedule after each progress meeting where revisions to the schedule have been made or recognized. Issue revised schedule concurrently with the report of each meeting.

1.9 REQUESTS FOR INTERPRETATION (RFIs)

- A. Procedure: Immediately on discovery of the need for interpretation of the Contract Documents, and if not possible to request interpretation at Project meeting, prepare and submit an RFI in the form specified.
 1. RFIs shall originate with Contractor. RFIs submitted by entities other than Contractor will be returned with no response.
 2. Coordinate and submit RFIs in a prompt manner so as to avoid delays in Contractor's work or work of subcontractors.
- B. Content of the RFI: Include a detailed, legible description of item needing interpretation and the following:
 1. City Project Number
 2. City Project Name.
 3. Date.
 4. Name of Contractor.
 5. RFI number, numbered sequentially.
 6. Specification Section number and title and related paragraphs, as appropriate.
 7. Drawing number and detail references, as appropriate.
 8. Field dimensions and conditions, as appropriate.
 9. Contractor's suggested solution(s). If Contractor's solution(s) impact the Contract Time or the Contract Sum, Contractor shall state impact in the RFI.
 10. Contractor's signature.

11. Attachments: Include drawings, descriptions, measurements, photos, Product Data, Shop Drawings, and other information necessary to fully describe items needing interpretation.
 - a. Supplementary drawings prepared by Contractor shall include dimensions, thicknesses, structural grid references, and details of affected materials, assemblies, and attachments.
- C. Hard-Copy RFIs: Form as provided and instructed by the Construction Management Department.
 1. Identify each page of attachments with the RFI number and sequential page number.
- D. Software-Generated RFIs: Software-generated form with substantially the same content as indicated above. Word Template is available upon request from the City Engineering Office.
 1. Attachments shall be electronic files in Adobe Acrobat PDF format.
- E. Project Manager's Action: Project Manager will review each RFI, determine action required, and return it. Allow seven working days for Project Manager's response for each RFI. RFIs received after 1:00 p.m. will be considered as received the following working day.
 1. The following RFIs will be returned without action:
 - a. Requests for approval of submittals.
 - b. Requests for approval of substitutions.
 - c. Requests for coordination information already indicated in the Contract Documents.
 - d. Requests for adjustments in the Contract Time or the Contract Sum.
 - e. Requests for interpretation of Project Manager's actions on submittals.
 - f. Incomplete RFIs or RFIs with numerous errors.
 2. Project Manager's action may include a request for additional information, in which case Project Manager's time for response will start again.
 3. Project Manager's action on RFIs that may result in a change to the Contract Time or the Contract Sum may be eligible for Contractor to submit Change Proposal according to Division 01 Section "Contract Modification Procedures."
 - a. If Contractor believes the RFI response warrants change in the Contract Time or the Contract Sum, notify Project Manager in writing within 10 days of receipt of the RFI response.
- F. On receipt of Project Manager's action, update the RFI log and immediately distribute the RFI response to affected parties. Review response and notify Project Manager within seven days if Contractor disagrees with response.
- G. RFI Log: Prepare, maintain, and submit a tabular log of RFIs organized by the RFI number. Submit log bi-weekly. Include the following:
 1. Project name.
 2. Name and address of Contractor.
 3. RFI number including RFIs that were dropped and not submitted.
 4. RFI description.

5. Date the RFI was submitted.
6. Date Project Manager's response was received.
7. Identification of related Minor Change in the Work, Construction Change Directive, and Proposal Request, as appropriate.
8. Identification of related Field Order, Work Change Directive, and Proposal Request, as appropriate.

PART 2 - PRODUCTS (Not Used)

PART 3 - EXECUTION (Not Used)

END OF SECTION 013100

**SECTION 013200
CONSTRUCTION PROGRESS DOCUMENTATION**

PART 1 - GENERAL**1.1 RELATED DOCUMENTS**

- A. Drawings and general provisions of the Contract, including General and Supplementary Conditions and other Division 01 Specification Sections, apply to this Section.

1.2 SUMMARY

- A. This Section includes administrative and procedural requirements for documenting the progress of construction during performance of the Work, including the following:
1. Contractor's Construction Schedule.
 2. Submittals Schedule.
 3. Daily construction reports.
 4. Material location reports.
 5. Site condition reports.
 6. Special reports.
- B. Related Sections include the following:
1. Division 01 Section "Payment Procedures" for submitting the Schedule of Values.
 2. Division 01 Section "Project Management and Coordination" for submitting and distributing meeting and conference minutes.
 3. Division 01 Section "Submittal Procedures" for submitting schedules and reports.
 4. Division 01 Section "Photographic Documentation" for submitting construction photographs.
 5. Division 01 Section "Quality Requirements" for submitting a schedule of tests and inspections.

1.3 SUBMITTALS

- A. Submittals Schedule: Submit three copies of schedule. Arrange the following information in a tabular format:
1. Scheduled date for first submittal
 2. Name of subcontractor.
 3. Description of the Work covered.
 4. Scheduled date for Project Manager's final release or approval.
- B. Contractor's Construction Schedule: Submit three copies of initial schedule, large enough to show entire schedule for entire construction period.
- C. Daily construction Reports: Submit two copies at weekly intervals.
- D. Field Condition Reports: Submit two copies at time of discovery of differing conditions.
- E. Special Reports: Submit two copies at time of unusual event.

PART 2 - PRODUCTS**2.1 SUBMITTALS SCHEDULE**

- A. Preparation: Submit a schedule of submittals, arranged in chronological order by dates required by construction schedule. Include time required for review, resubmittal, ordering, manufacturing, fabrication, and delivery when establishing dates.
 - 1. Coordinate Submittals Schedule with list of subcontracts, the Schedule of Values, and Contractor's Construction Schedule.
 - 2. Initial Submittal: Submit concurrently with the first complete submittal of Contractor's Construction Schedule.

2.2 CONTRACTOR'S CONSTRUCTION SCHEDULE, GENERAL

- A. Time Frame: Extend schedule from date established for the Notice to Proceed to date of Final Completion.
 - 1. Contract completion date shall not be changed by submission of a schedule that shows an early completion date, unless specifically authorized by Change Order.
- B. Activities: Treat each separate area as a separate numbered activity for each principal element of the Work. Comply with the following: The schedule shall clearly indicate the critical path and all activities associated with it. The dependencies shall be clearly delineated.
 - 2. All activities with a time duration exceeding five (5) days shall be shown as separate items.
 - 3. Include review and resubmittal times indicated in Division 01 Section "Submittal Procedures" in schedule. Coordinate submittal review times in Contractor's construction schedule with submittal schedule.
 - 4. Where materials require more than one (1) week fabrication or order time, this order/fabrication time shall be shown.
- C. Milestones: Include milestones indicated in the Contract Documents in schedule, including, but not limited to, the Notice to Proceed, Substantial Completion, Final Completion, and Certificate of Occupancy.
- D. Contract Modifications: For each proposed contract modification and concurrent with its submission, prepare a time-impact analysis to demonstrate the effect of the proposed change on the overall project schedule.

2.3 CONTRACTOR'S CONSTRUCTION SCHEDULE (GANTT CHART)

- A. Gantt-Chart Schedule: Submit a comprehensive, fully developed, horizontal Gantt-chart-type, Contractor's Construction Schedule within 30 days of date established for the Notice to Proceed. Base schedule on the Preliminary Construction Schedule and whatever updating and feedback was received since the start of Project.
- B. Preparation: Indicate each significant construction activity separately. Identify first workday of each week with a continuous vertical line.

2.4 REPORTS

- A. Daily Construction Reports: Prepare a daily construction report recording the following information concerning events at Project site:
1. List of subcontractors at Project site.
 2. Approximate count of personnel at Project site.
 3. Equipment at Project site.
 4. Material deliveries.
 5. High and low temperatures and general weather conditions.
 6. Accidents.
 7. Meetings and significant decisions.
 8. Unusual events (refer to special reports).
 9. Stoppages, delays, shortages, and losses.
 10. Emergency procedures.
 11. Orders and requests of authorities having jurisdiction.
 12. Change Orders received and implemented.
 13. Construction Change Directives received and implemented.
 14. Services connected and disconnected.
 15. Equipment or system tests and startups.
 16. Substantial Completions authorized.
- B. Site Condition Reports: Immediately on discovery of a difference between field conditions and the Contract Documents, prepare and submit a detailed report. Submit with a request for interpretation. Include a detailed description of the differing conditions, together with recommendations for changing the Contract Documents.

2.5 SPECIAL REPORTS

- A. General: Submit special reports directly to City within one day of an occurrence. Distribute copies of report to parties affected by the occurrence.
- B. Reporting Unusual Events: When an event of an unusual and significant nature occurs at Project site, whether or not related directly to the Work, prepare and submit a special report. List chain of events, persons participating, response by Contractor's personnel, evaluation of results or effects, and similar pertinent information. Advise City in advance when these events are known or predictable.

PART 3 - EXECUTION

3.1 CONTRACTOR'S CONSTRUCTION SCHEDULE

- A. Contractor's Construction Schedule Updating: At monthly intervals, update schedule to reflect actual construction progress and activities. Issue schedule one week before each regularly scheduled progress meeting.
1. Revise schedule immediately after each meeting or other activity where revisions have been recognized or made. Issue updated schedule concurrently with the report of each such meeting.
 2. Include a report with updated schedule that indicates every change, including, but not limited to, changes in logic, durations, actual starts and finishes, and activity durations.

3. As the Work progresses, indicate Actual Completion percentage for each activity.
- B. Distribution: Distribute copies of approved schedule to City Representative, separate contractors, testing and inspecting agencies, and other parties identified by Contractor with a need-to-know schedule responsibility.
1. Post copies in Project meeting rooms and temporary field offices.
 2. When revisions are made, distribute updated schedules to the same parties and post in the same locations. Delete parties from distribution when they have completed their assigned portion of the Work and are no longer involved in performance of construction activities.

END OF SECTION 013200

**SECTION 013233
PHOTOGRAPHIC DOCUMENTATION**

PART 1 - GENERAL**1.1 RELATED DOCUMENTS**

- A. Drawings and general provisions of the Contract, including General and Supplementary Conditions and other Division 01 Specification Sections, apply to this Section.

1.2 SUMMARY

- A. This Section includes administrative and procedural requirements for the following:
1. Preconstruction photographs.
 2. Periodic construction photographs.
 3. Final Completion construction photographs.
- B. Related Sections include the following:
1. Division 01 Section "Submittal Procedures" for submitting photographic documentation.
 2. Division 01 Section "Closeout Procedures" for submitting digital media as Project Record Documents at Project closeout.

1.3 INFORMATIONAL SUBMITTALS

- A. Construction Photographs: Submit digital media files of each photographic view within seven days of taking photographs.
1. Format: Minimum 3200 by 2400 pixels, in unaltered original files, with same aspect ratio as the sensor, uncropped, date and time stamped, in folder named by date of photograph. File names shall be in the following format: City project number – date taken (YYMMDD) – picture number (example: 10350-090408-011 would indicate project number 10350 taken on April 8, 2009 photograph number 11). Submit on CD with folders for separate dates.
 2. Identification: On jewel case and CD, provide an applied label with the following information:
 - a. Name of Project.
 - b. Name of Contractor.
 - c. Dates photographs were taken.

1.4 USAGE RIGHTS

- A. Obtain and transfer copyright usage rights from photographer to Owner for unlimited reproduction of photographic documentation.

PART 2 - PRODUCTS**2.1 PHOTOGRAPHIC MEDIA**

- A. Digital Images: Provide images in JPG format, produced by a digital camera with minimum sensor size of 8 mega pixels, and at an image resolution of not less than 3200 by 2400 pixels.

PART 3 - EXECUTION**3.1 CONSTRUCTION PHOTOGRAPHS**

- A. General: Take photographs using the maximum range of depth of field, and that are in focus, to clearly show the Work. Photographs with blurry or out-of-focus areas will not be accepted.
 - 1. Maintain key plan with each set of construction photographs that identifies each photographic location.
- B. Daily Progress Photographs: Take daily photographs to document progress. Take photographs of all work that will be concealed by subsequent construction activity (such as rough electrical, rough plumbing and rough ductwork). Such photographs shall fully document actual installed conditions.
- C. Preconstruction Photographs: Before starting construction, take photographs of Project site and surrounding properties, including existing items to remain during construction, from different vantage points, or, as directed by the project Manager.
- D. Periodic Construction Photographs: Take minimum 20 photographs weekly, with timing each month adjusted to coincide with the cutoff date associated with each Application for Payment. Select vantage points, including aerial photographs to show status of construction and progress since last photographs were taken.
 - a. Interior Work, through date of Substantial Completion.
- E. Final Completion Construction Photographs: Take 20 color photographs after date of Substantial Completion for submission as Project Record Documents. Construction Manager will direct photographer for desired vantage points.
 - 1. Do not include date stamp.

END OF SECTION 013233

**SECTION 013300
SUBMITTAL PROCEDURES**

PART 1 - GENERAL**1.1 RELATED DOCUMENTS**

- A. Drawings and general provisions of the Contract, including General and Supplementary Conditions and other Division 01 Specification Sections, apply to this Section.

1.2 SUMMARY

- A. Section includes requirements for the submittal schedule and administrative and procedural requirements for submitting Shop Drawings, Product Data, Samples, and other submittals.
- B. Related Sections include the following:
 - 1. Division 01 Section "Payment Procedures" for submitting Applications for Payment and the Schedule of Values.
 - 2. Division 01 Section "Project Management and Coordination" for submitting and distributing meeting and conference minutes and for submitting Coordination Drawings.
 - 3. Division 01 Section "Construction Progress Documentation" for submitting schedules and reports, including Contractor's Construction Schedule and the Submittals Schedule.
 - 4. Division 01 Section "Photographic Documentation" for submitting construction photographs.
 - 5. Division 01 Section "Quality Requirements" for submitting test and inspection reports.
 - 6. Division 01 Section "Closeout Procedures" for submitting warranties.
 - 7. Division 01 Section "Project Record Documents" for submitting Record Drawings, Record Specifications, and Record Product Data.
 - 8. Divisions 02 through 33 Sections for specific requirements for submittals in those Sections.

1.3 DEFINITIONS

- A. Action Submittals: Written and graphic information and physical samples that require Project Manager's responsive action. Action submittals are those submittals indicated in individual Specification Sections as "action submittals."
- B. Informational Submittals: Written and graphic information and physical samples that do not require Project Manager's responsive action. Submittals may be rejected for not complying with requirements. Informational submittals are those submittals indicated in individual Specification Sections as "informational submittals."
- C. Portable Document Format (PDF): An open standard file format licensed by Adobe Systems used for representing documents in a device-independent and display resolution-independent fixed-layout document format.

1.4 SUBMITTAL ADMINISTRATIVE REQUIREMENTS

- A. Coordination: Coordinate preparation and processing of submittals with performance of

construction activities.

1. Coordinate each submittal with fabrication, purchasing, testing, delivery, other submittals, and related activities that require sequential activity.
 2. Submit all submittal items required for each Specification Section concurrently unless partial submittals for portions of the Work are indicated on approved submittal schedule.
 3. Submit action submittals and informational submittals required by the same Specification Section as separate packages under separate transmittals.
 4. Coordinate transmittal of different types of submittals for related parts of the Work so processing will not be delayed because of need to review submittals concurrently for coordination.
 - a. Project Manager reserves the right to withhold action on a submittal requiring coordination with other submittals until related submittals are received.
- B. Processing Time: Allow time for submittal review, including time for resubmittals, as follows. Time for review shall commence on Project Manager's receipt of submittal. No extension of the Contract Time will be authorized because of failure to transmit submittals enough in advance of the Work to permit processing, including resubmittals.
1. Initial Review: Allow 10 days for initial review of each submittal. Allow additional time if coordination with subsequent submittals is required. Project Manager will advise Contractor when a submittal being processed must be delayed for coordination.
 2. Intermediate Review: If intermediate submittal is necessary, process it in same manner as initial submittal.
 3. Resubmittal Review: Allow 10 days for review of each resubmittal.
- C. Paper Submittals: Place a permanent label or title block on each submittal item for identification.
1. Indicate name of firm or entity that prepared each submittal on label or title block.
 2. Provide a space approximately **3 by 6 inches (75 by 150 mm)** on label or beside title block to record Contractor's review and approval markings and action taken by Architect.
 3. Include the following information for processing and recording action taken:
 - a. Project name.
 - b. Date.
 - c. Name of Project Manager.
 - d. Name of Contractor.
 - e. Name of subcontractor.
 - f. Name of supplier.
 - g. Name of manufacturer.
 - h. Submittal number or other unique identifier, including revision identifier.
 - 1) Submittal number shall use Specification Section number followed by a decimal point and then a sequential number (e.g., 061000.01). Resubmittals shall include an alphabetic suffix after another decimal point (e.g., 061000.01.A).

- i. Number and title of appropriate Specification Section.
 - j. Drawing number and detail references, as appropriate.
 - k. Location(s) where product is to be installed, as appropriate.
 - l. Other necessary identification.
 4. Additional Paper Copies: Unless additional copies are required for final submittal, and unless Project Manager observes noncompliance with provisions in the Contract Documents, initial submittal may serve as final submittal.
 5. Transmittal for Paper Submittals: Assemble each submittal individually and appropriately for transmittal and handling. Transmit each submittal using a transmittal form. Project Manager will return without review submittals received from sources other than Contractor.
 - a. Transmittal Form for Paper Submittals: Provide locations on form for the following information:
 - 1) Project name.
 - 2) Date.
 - 3) Destination (To:).
 - 4) Source (From:).
 - 5) Name of Project Manager.
 - 6) Name of Contractor.
 - 7) Name of firm or entity that prepared submittal.
 - 8) Names of subcontractor, manufacturer, and supplier.
 - 9) Category and type of submittal.
 - 10) Submittal purpose and description.
 - 11) Specification Section number and title.
 - 12) Specification paragraph number or drawing designation and generic name for each of multiple items.
 - 13) Drawing number and detail references, as appropriate.
 - 14) Indication of full or partial submittal.
 - 15) Transmittal number.
 - 16) Submittal and transmittal distribution record.
 - 17) Remarks.
 - 18) Signature of transmitter.
- D. Electronic Submittals: Identify and incorporate information in each electronic submittal file as follows:
1. Assemble complete submittal package into a single indexed file incorporating submittal requirements of a single Specification Section and transmittal form with links enabling navigation to each item.
 2. Name file with submittal number or other unique identifier, including revision identifier.
 - a. File name shall use project identifier and Specification Section number followed by a decimal point and then a sequential number (e.g., 10905-061000.01). Resubmittals shall include an alphabetic suffix after another decimal point (e.g., 10905-061000.01.A).
 3. Provide means for insertion to permanently record Contractor's review and approval markings and action taken by Project Manager.

4. Transmittal Form for Electronic Submittals: Use electronic form acceptable to Owner, containing the following information:
 - a. Project name.
 - b. Date.
 - c. Name of Project Manager.
 - d. Name of Contractor.
 - e. Name of firm or entity that prepared submittal.
 - f. Category and type of submittal.
 - g. Submittal purpose and description.
 - h. Specification Section number and title.
 - i. Specification paragraph number or drawing designation and generic name for each of multiple items.
 - j. Drawing number and detail references, as appropriate.
 - k. Location(s) where product is to be installed, as appropriate.
 - l. Related physical samples submitted directly.
 - m. Indication of full or partial submittal.
 - n. Transmittal number.
 - o. Submittal and transmittal distribution record.
 - p. Other necessary identification.
 - q. Remarks.
- E. Options: Identify options requiring selection by Project Manager.
- F. Deviations and Additional Information: On an attached separate sheet, prepared on Contractor's letterhead, record relevant information, requests for data, revisions other than those requested by Project Manager on previous submittals, and deviations from requirements in the Contract Documents, including minor variations and limitations. Include same identification information as related submittal.
- G. Resubmittals: Make resubmittals in same form and number of copies as initial submittal.
 1. Note date and content of previous submittal.
 2. Note date and content of revision in label or title block and clearly indicate extent of revision.
 3. Resubmit submittals until they are marked with approval notation from Project Manager's action stamp.
- H. Distribution: Furnish copies of final submittals to manufacturers, subcontractors, suppliers, fabricators, installers, authorities having jurisdiction, and others as necessary for performance of construction activities. Show distribution on transmittal forms.
- I. Use for Construction: Retain complete copies of submittals on Project site. Use only final action submittals that are marked with approval notation from Project Manager's action stamp.

PART 2 - PRODUCTS

2.1 SUBMITTAL PROCEDURES

- A. General Submittal Procedure Requirements: Prepare and submit submittals required by

individual Specification Sections and Contract Drawings. Types of submittals are indicated in individual Specification Sections.

1. Submit electronic submittals via email as PDF electronic files.
 - a. Project Manager will return annotated file. Annotate and retain one copy of file as an electronic Project record document file.
 2. Action Submittals: Submit five paper copies of each submittal unless otherwise indicated. Project Manager will return three copies.
 3. Informational Submittals: Submit five paper copies of each submittal unless otherwise indicated. Project Manager will return three copies.
 4. Certificates and Certifications Submittals: Provide a statement that includes signature of entity responsible for preparing certification. Certificates and certifications shall be signed by an officer or other individual authorized to sign documents on behalf of that entity.
 - a. Provide a notarized statement on original paper copy certificates and certifications where indicated.
- B. Product Data: Collect information into a single submittal for each element of construction and type of product or equipment.
1. If information must be specially prepared for submittal because standard published data are not suitable for use, submit as Shop Drawings, not as Product Data.
 2. Mark each copy of each submittal to show which products and options are applicable.
 3. Include the following information, as applicable:
 - a. Manufacturer's catalog cuts.
 - b. Manufacturer's product specifications.
 - c. Standard color charts.
 - d. Statement of compliance with specified referenced standards.
 - e. Testing by recognized testing agency.
 - f. Application of testing agency labels and seals.
 - g. Notation of coordination requirements.
 - h. Availability and delivery time information.
 4. For equipment, include the following in addition to the above, as applicable:
 - a. Wiring diagrams showing factory-installed wiring.
 - b. Printed performance curves.
 - c. Operational range diagrams.
 - d. Clearances required to other construction, if not indicated on accompanying Shop Drawings.
 5. Submit Product Data before or concurrent with Samples.
 6. Submit Product Data in the following format:
 - a. PDF electronic file.
- C. Shop Drawings: Prepare Project-specific information, drawn accurately to scale. Do not base Shop Drawings on reproductions of the Contract Documents or standard printed

data, unless submittal based on Project Manager's digital data drawing files is otherwise permitted.

1. Preparation: Fully illustrate requirements in the Contract Documents. Include the following information, as applicable:
 - a. Identification of products.
 - b. Schedules.
 - c. Compliance with specified standards.
 - d. Notation of coordination requirements.
 - e. Notation of dimensions established by field measurement.
 - f. Relationship and attachment to adjoining construction clearly indicated.
 - g. Seal and signature of professional Project Manager if specified.
 2. Sheet Size: Except for templates, patterns, and similar full-size drawings, submit Shop Drawings on sheets at least 8-1/2 by 11 inches (215 by 280 mm), but no larger than 24 by 36 inches (610 by 915 mm).
 3. Submit Shop Drawings in the following format:
 - a. PDF electronic file.
 - b. Five opaque copies of each submittal. Project Manager will retain two copies; remainder will be returned.
- D. Samples: Submit Samples for review of kind, color, pattern, and texture for a check of these characteristics with other elements and for a comparison of these characteristics between submittal and actual component as delivered and installed.
1. Transmit Samples that contain multiple, related components such as accessories together in one submittal package.
 2. Identification: Attach label on unexposed side of Samples that includes the following:
 - a. Generic description of Sample.
 - b. Product name and name of manufacturer.
 - c. Sample source.
 - d. Number and title of applicable Specification Section.
 - e. Specification paragraph number and generic name of each item.
 3. For projects where electronic submittals are required, provide corresponding electronic submittal of Sample transmittal, digital image file illustrating Sample characteristics, and identification information for record.
 4. Disposition: Maintain sets of approved Samples at Project site, available for quality-control comparisons throughout the course of construction activity. Sample sets may be used to determine final acceptance of construction associated with each set.
 5. Samples for Initial Selection: Submit manufacturer's color charts consisting of units or sections of units showing the full range of colors, textures, and patterns available.
 - a. Number of Samples: Submit two full set(s) of available choices where color, pattern, texture, or similar characteristics are required to be selected from manufacturer's product line. Project Manager will return one submittal with options selected.

6. Samples for Verification: Submit full-size units or Samples of size indicated, prepared from same material to be used for the Work, cured and finished in manner specified, and physically identical with material or product proposed for use, and that show full range of color and texture variations expected. Samples include, but are not limited to, the following: partial sections of manufactured or fabricated components; small cuts or containers of materials; complete units of repetitively used materials; swatches showing color, texture, and pattern; color range sets; and components used for independent testing and inspection.
 - a. Number of Samples: Submit five sets of Samples. Project Manager will retain two Sample sets; remainder will be returned. Mark up and retain one returned Sample set as a project record sample.
- E. Contractor's Construction Schedule: Comply with requirements specified in Division 01 Section "Construction Progress Documentation" for Construction Manager's action.
- F. Application for Payment and Schedule of Values: Comply with requirements specified in Division 01 Section "Payment Procedures."
- G. Test and Inspection Reports and Schedule of Tests and Inspections Submittals: Comply with requirements specified in Division 01 Section "Quality Requirements."
- H. Closeout Submittals and Maintenance Material Submittals: Comply with requirements specified in Division 01 Section "Closeout Procedures."
- I. Qualification Data: Prepare written information that demonstrates capabilities and experience of firm or person. Include lists of completed projects with project names and addresses, contact information of Project Managers and owners, and other information specified.
- J. Welding Certificates: Prepare written certification that welding procedures and personnel comply with requirements in the Contract Documents. Submit record of Welding Procedure Specification and Procedure Qualification Record on AWS forms. Include names of firms and personnel certified.
- K. Installer Certificates: Submit written statements on manufacturer's letterhead certifying that Installer complies with requirements in the Contract Documents and, where required, is authorized by manufacturer for this specific Project.
- L. Manufacturer Certificates: Submit written statements on manufacturer's letterhead certifying that manufacturer complies with requirements in the Contract Documents. Include evidence of manufacturing experience where required.
- M. Product Certificates: Submit written statements on manufacturer's letterhead certifying that product complies with requirements in the Contract Documents.
- N. Material Certificates: Submit written statements on manufacturer's letterhead certifying that material complies with requirements in the Contract Documents.
- O. Material Test Reports: Submit reports written by a qualified testing agency, on testing agency's standard form, indicating and interpreting test results of material for compliance with requirements in the Contract Documents.

- P. **Product Test Reports:** Submit written reports indicating that current product produced by manufacturer complies with requirements in the Contract Documents. Base reports on evaluation of tests performed by manufacturer and witnessed by a qualified testing agency, or on comprehensive tests performed by a qualified testing agency.
- Q. **Research Reports:** Submit written evidence, from a model code organization acceptable to authorities having jurisdiction, that product complies with building code in effect for Project. Include the following information:
1. Name of evaluation organization.
 2. Date of evaluation.
 3. Time period when report is in effect.
 4. Product and manufacturers' names.
 5. Description of product.
 6. Test procedures and results.
 7. Limitations of use.
- R. **Preconstruction Test Reports:** Submit reports written by a qualified testing agency, on testing agency's standard form, indicating and interpreting results of tests performed before installation of product, for compliance with performance requirements in the Contract Documents.
- S. **Compatibility Test Reports:** Submit reports written by a qualified testing agency, on testing agency's standard form, indicating and interpreting results of compatibility tests performed before installation of product. Include written recommendations for primers and substrate preparation needed for adhesion.
- T. **Field Test Reports:** Submit written reports indicating and interpreting results of field tests performed either during installation of product or after product is installed in its final location, for compliance with requirements in the Contract Documents.
- U. **Design Data:** Prepare and submit written and graphic information, including, but not limited to, performance and design criteria, list of applicable codes and regulations, and calculations. Include list of assumptions and other performance and design criteria and a summary of loads. Include load diagrams if applicable. Provide name and version of software, if any, used for calculations. Include page numbers.

2.2 DELEGATED-DESIGN SERVICES

- A. **Performance and Design Criteria:** Where professional design services or certifications by a design professional are specifically required of Contractor by the Contract Documents, provide products and systems complying with specific performance and design criteria indicated.
1. If criteria indicated are not sufficient to perform services or certification required, submit a written request for additional information to Project Manager.
- B. **Delegated-Design Services Certification:** In addition to Shop Drawings, Product Data, and other required submittals, submit three paper copies of certificate, signed and sealed by the responsible design professional, for each product and system specifically assigned to Contractor to be designed or certified by a design professional.

1. Indicate that products and systems comply with performance and design criteria in the Contract Documents. Include list of codes, loads, and other factors used in performing these services.

PART 3 - EXECUTION

3.1 CONTRACTOR'S REVIEW

- A. Review each submittal and check for coordination with other Work of the Contract and for compliance with the Contract Documents. Note corrections and field dimensions. Mark with approval stamp before submitting to Project Manager.
- B. Approval Stamp: Stamp each submittal with a uniform, approval stamp. Include Project name and location, submittal number, Specification Section title and number, name of reviewer, date of Contractor's approval, and statement certifying that submittal has been reviewed, checked, and approved for compliance with the Contract Documents.

3.2 PROJECT MANAGER'S ACTION

- A. General: Project Manager will not review submittals that do not bear Contractor's approval stamp and will return them without action.
- B. Action Submittals: Project Manager will review each submittal, make marks to indicate corrections or modifications required, and return it. Project Manager will stamp each submittal with an action stamp and will mark stamp appropriately to indicate action taken, as follows:
 1. Approved as submitted
 2. Approved as noted
 3. Revise and resubmit
 4. Rejected.
- C. Informational Submittals: Project Manager will review each submittal and will not return it, or will return it if it does not comply with requirements. Project Manager will forward each submittal to appropriate party.
- D. Partial or incomplete submittals are not acceptable, will be considered nonresponsive, and will be returned without review.
- E. Submittals not required by the Contract Documents may not be reviewed and may be discarded.

END OF SECTION 013300

SECTION 014000 - QUALITY REQUIREMENTS**PART 1 - GENERAL****1.1 RELATED DOCUMENTS**

- A. Drawings and general provisions of the Contract, including General and Supplementary Conditions and other Division 01 Specification Sections, apply to this Section.

1.2 SUMMARY

- A. This Section includes administrative and procedural requirements for quality assurance and quality control.
- B. Testing and inspecting services are required to verify compliance with requirements specified or indicated. These services do not relieve Contractor of responsibility for compliance with the Contract Document requirements.
 - 1. Specific quality-assurance and control requirements for individual construction activities are specified in the Sections that specify those activities. Requirements in those Sections may also cover production of standard products.
 - 2. Specified tests, inspections, and related actions do not limit Contractor's other quality-assurance and -control procedures that facilitate compliance with the Contract Document requirements.
 - 3. Requirements for Contractor to provide quality-assurance and control services required by Project Manager, City, Construction Manager, or authorities having jurisdiction are not limited by provisions of this Section.
- C. Related Sections include the following:
 - 1. Division 01 Section "Construction Progress Documentation" for developing a schedule of required tests and inspections.
 - 2. Divisions 02 through 33 Sections for specific test and inspection requirements.
 - 3.

1.3 DEFINITIONS

- A. Quality-Assurance Services: Activities, actions, and procedures performed before and during execution of the Work to guard against defects and deficiencies and substantiate that proposed construction will comply with requirements.
- B. Quality-Control Services: Tests, inspections, procedures, and related actions during and after execution of the Work to evaluate that actual products incorporated into the Work and completed construction comply with requirements. Services do not include contract enforcement activities performed by Project Manager or Construction Manager.
- C. Product Testing: Tests and inspections that are performed by an NRTL, an NVLAP, or a testing agency qualified to conduct product testing and acceptable to authorities having jurisdiction, to establish product performance and compliance with specified requirements.

- D. Field Quality-Control Testing: Tests and inspections that are performed on-site for installation of the Work and for completed Work.
- E. Testing Agency: An entity engaged to perform specific tests, inspections, or both. Testing laboratory shall mean the same as testing agency.
- F. Installer/Applicator/Erector: Contractor or another entity engaged by Contractor as an employee, Subcontractor, or Sub-subcontractor, to perform a particular construction operation, including installation, erection, application, and similar operations.
 - 1. Use of trade-specific terminology in referring to a trade or entity does not require that certain construction activities be performed by accredited or unionized individuals, or that requirements specified apply exclusively to specific trade(s).
- G. Experienced: When used with an entity, "experienced" means having successfully completed a minimum of five previous projects similar in size and scope to this Project; being familiar with special requirements indicated; and having complied with requirements of authorities having jurisdiction.

1.4 CONFLICTING REQUIREMENTS

- A. General: If compliance with two or more standards is specified and the standards establish different or conflicting requirements for minimum quantities or quality levels, comply with the most stringent requirement. Refer uncertainties and requirements that are different, but apparently equal, to Construction Management for a decision before proceeding.
- B. Minimum Quantity or Quality Levels: The quantity or quality level shown or specified shall be the minimum provided or performed. The actual installation may comply exactly with the minimum quantity or quality specified, or it may exceed the minimum within reasonable limits. To comply with these requirements, indicated numeric values are minimum or maximum, as appropriate, for the context of requirements. Refer uncertainties to Project Manager or Construction Management for a decision before proceeding.

1.5 SUBMITTALS

- A. Qualification Data: For testing agencies specified in "Quality Assurance" Article to demonstrate their capabilities and experience. Include proof of qualifications in the form of a recent report on the inspection of the testing agency by a recognized authority.
- B. Schedule of Tests and Inspections: Prepare in tabular form and include the following:
 - 1. Specification Section number and title.
 - 2. Entity responsible for performing tests and inspections.
 - 3. Description of test and inspection.
 - 4. Identification of applicable standards.
 - 5. Identification of test and inspection methods.
 - 6. Number of tests and inspections required.
 - 7. Time schedule or time span for tests and inspections.
 - 8. Requirements for obtaining samples.
 - 9. Unique characteristics of each quality-control service.
- C. Reports: Prepare and submit certified written reports that include the following:

1. Date of issue.
 2. Project title and number.
 3. Name, address, and telephone number of testing agency.
 4. Dates and locations of samples and tests or inspections.
 5. Names of individuals making tests and inspections.
 6. Description of the Work and test and inspection method.
 7. Identification of product and Specification Section.
 8. Complete test or inspection data.
 9. Test and inspection results and an interpretation of test results.
 10. Record of temperature and weather conditions at time of sample taking and testing and inspecting.
 11. Comments or professional opinion on whether tested or inspected Work complies with the Contract Document requirements.
 12. Name and signature of laboratory inspector.
 13. Recommendations on retesting and reinspecting.
 14. Other required items indicated in individual Specification Sections.
- D. Permits, Licenses, and Certificates: For City's records, submit copies of permits, licenses, certifications, inspection reports, releases, jurisdictional settlements, notices, receipts for fee payments, judgments, correspondence, records, and similar documents, established for compliance with standards and regulations bearing on performance of the Work.

1.6 QUALITY ASSURANCE

- A. General: Qualifications paragraphs in this article establish the minimum qualification levels required; individual Specification Sections specify additional requirements.
- B. Manufacturer Qualifications: A firm experienced in manufacturing products or systems similar to those indicated for this Project and with a record of successful in-service performance, as well as sufficient production capacity to produce required units.
- C. Fabricator Qualifications: A firm experienced in producing products similar to those indicated for this Project and with a record of successful in-service performance, as well as sufficient production capacity to produce required units.
- D. Installer Qualifications: A firm or individual experienced in installing, erecting, or assembling work similar in material, design, and extent to that indicated for this Project, whose work has resulted in construction with a record of successful in-service performance.

1.7 QUALITY CONTROL

- A. Tests and inspections are Contractor's responsibility. Unless otherwise indicated, provide quality-control services specified and those required by authorities having jurisdiction. Perform quality-control services required of Contractor by authorities having jurisdiction, whether specified or not.
1. Contractor shall engage a qualified testing agency to perform these quality-control services.
 2. Contractor shall submit a certified written report, in duplicate, of each quality-control service.

3. Testing and inspecting requested by Contractor and not required by the Contract Documents are Contractor's responsibility.
 4. Submit additional copies of each written report directly to authorities having jurisdiction, when they so direct.
- B. Retesting/Reinspecting: Contractor shall provide quality-control services, including retesting and reinspecting, for construction that replaced Work that failed to comply with the Contract Documents.
- C. Associated Services: Cooperate with agencies performing required tests, inspections, and similar quality-control services, and provide reasonable auxiliary services as requested. Notify agency sufficiently in advance of operations to permit assignment of personnel. Provide the following:
1. Access to the Work.
 2. Incidental labor and facilities necessary to facilitate tests and inspections.
 3. Adequate quantities of representative samples of materials that require testing and inspecting. Assist agency in obtaining samples.
 4. Facilities for storage and field curing of test samples.
 5. Delivery of samples to testing agencies.
 6. Preliminary design mix proposed for use for material mixes that require control by testing agency.
 7. Security and protection for samples and for testing and inspecting equipment at Project site.
- D. Coordination: Coordinate sequence of activities to accommodate required quality-assurance and -control services with a minimum of delay and to avoid necessity of removing and replacing construction to accommodate testing and inspecting.
1. Schedule times for tests, inspections, obtaining samples, and similar activities.

PART 2 - PRODUCTS (Not Used)

PART 3 - EXECUTION

3.1 TEST AND INSPECTION LOG

- A. Prepare a record of tests and inspections. Include the following:
1. Date test or inspection was conducted.
 2. Description of the Work tested or inspected.
 3. Date test or inspection results were transmitted to Construction Manager.
 4. Identification of testing agency or special inspector conducting test or inspection.
- B. Maintain log at Project site. Post changes and revisions as they occur. Provide access to test and inspection log for Project Manager's and Construction Manager's reference during normal working hours.

3.2 REPAIR AND PROTECTION

- A. General: On completion of testing, inspecting, sample taking, and similar services, repair damaged construction and restore substrates and finishes.
- B. Protect construction exposed by or for quality-control service activities.
- C. Repair and protection are Contractor's responsibility, regardless of the assignment of responsibility for quality-control services.

END OF SECTION 014000

SECTION 014100 – TESTING LABORATORY SERVICES**PART 1 GENERAL**

1.01 REQUIREMENTS INCLUDED

- A. CONTRACTOR will employ and pay for the services of an Independent Testing laboratory to perform all required testing: (All required testing services under the Contract and Permit Documents shall be provided by the CONTRACTOR through an independent testing firm.
1. CONTRACTOR shall cooperate with the laboratory to facilitate the execution of its required services.
 2. Employment of the laboratory by the CONTRACTOR for specific testing shall in no way relieve the CONTRACTOR's obligations to perform the work of the Contract as specified.
 3. The tests to be provided by the CONTRACTOR shall include, but not be limited to, the following
 - a. Density
 - b. Proctor
 - c. Limerock Bearing Ratio (LBR)
 - d. Carbonate Content
 - e. Gradation
 - f. Plastic Index and Liquid Limit
 - g. Organic Content
 - h. Concrete Compressive Strength and Slump
 - i. Asphalt Extraction
 - j. Any other tests as required to satisfy an permitting agency requirements.
- B. CONTRACTOR shall pay for all required testing, including bacteriological testing.

1.02 RELATED REQUIREMENTS

- A. All applicable sections of the Specifications.
- B. Conditions of the Contract: Inspections and testing required by laws, ordinances, rules, regulations, orders or approvals of public authorities.

1.03 QUALIFICATION OF LABORATORY

- A. Meet "Recommended Requirements for Independent Laboratory Qualification", published by American Council of Independent Laboratories.
- B. Meet basic requirements of ASTM E-329.
- C. Authorized to operate in the state in which the project is located.

- D. Submit copy of report of inspection of facilities made by Materials Reference Laboratory of National Bureau of Standards during the most recent tour of inspection, with memorandum of remedies of any deficiencies reported by the inspection.
- E. Testing Equipment
 - 1. Calibrated at reasonable intervals by devices of accuracy traceable to either:
 - a. National Bureau of Standards.
 - b. Accepted values of natural physical constants.

1.04 LABORATORY DUTIES

- A. Cooperate with OWNER's Representative and CONTRACTOR; provide qualified personnel after due notice.
- B. Perform specified inspections, sampling and testing of materials and methods of construction:
 - 1. Comply with specified standards.
 - 2. Ascertain compliance of materials with requirements of Contract Documents.
- C. Promptly notify OWNER's Representative and CONTRACTOR of observed irregularities of deficiencies of work or products.
- D. Promptly submit written report of each test and inspection; one copy each to OWNER's Representative, OWNER, CONTRACTOR, and one copy to Record Document File. Each report shall include:
 - 1. Date issued.
 - 2. Project title, OWNER'S project number and Parcel number.
 - 3. Testing laboratory name, address and telephone number.
 - 4. Name and signature of laboratory inspector.
 - 5. Date and time of sampling or inspection.
 - 6. Record of temperature and weather conditions.
 - 7. Date of test.
 - 8. Identification of fill product and specification section.
 - 9. Location of sample or test in the project area (i.e. station and offset or other relevant dimensioning).
 - 10. Type of inspection or test.

11. Results of tests and compliance with Contract Documents.

12. Interpretation of test results, when requested by OWNER's Representative.

E. Perform additional tests as required by the OWNER's Representative.

1.05 LIMITATION OF AUTHORITY OF TESTING LABORATORY

A. Laboratory is not authorized to:

1. Release, revoke, alter or enlarge on requirements of Contract documents.

2. Approve or accept any portion of the work.

3. Perform any duties of the CONTRACTOR.

1.06 CONTRACTOR'S RESPONSIBILITIES

A. Cooperate with laboratory personnel and provide access to work.

B. Secure and deliver to the laboratory adequate quantities of representational samples of materials proposed to be used and which require testing.

C. Provide to the laboratory the preliminary design mix proposed to be used for concrete, and other material mixes, which require control by the Testing Laboratory.

D. Furnish copies of Products test reports as required.

E. Furnish incidental labor and facilities:

1. To provide access to work to be tested.

2. To obtain and handle samples at the project site or at the source of the product to be tested.

3. To facilitate inspections and tests.

4. For storage of test samples.

F. Notify laboratory sufficiently in advance of operations to allow for laboratory assignment of personnel and scheduling of tests.

1. When tests or inspections cannot be performed after such notice, reimburse OWNER for laboratory personnel and travel expenses incurred due to CONTRACTOR's negligence.

PART 2 PRODUCTS (Not Applicable)

PART 3 EXECUTION

3.01 MEASUREMENT AND PAYMENT

- A. There shall be no special measurement or payment for the work under this section.
It shall be included in the price for all other work.

END OF SECTION

SECTION 015300 – PROTECTION OF EXISTING FACILITIES**PART 1 GENERAL**

1.01 GENERAL

- A. The CONTRACTOR shall protect all existing utilities and improvements not designated for removal and shall restore damaged or temporarily relocated utilities and improvements to a condition equal to or better than they were prior to such damage or temporary relocation, all in accordance with requirements of the Contract Documents.
- B. The CONTRACTOR shall verify the exact locations and depths of all utilities shown and the CONTRACTOR shall make exploratory excavations of all utilities that may interfere with the WORK. All such exploratory excavations shall be performed as soon as practicable after award of the contract and, in any event, a sufficient time in advance of construction to avoid possible delays to the CONTRACTOR's work. When such exploratory excavations show the utility location as shown to be in error, the CONTRACTOR shall so notify the ENGINEER.
- C. The number of exploratory excavations required shall be that number which is sufficient to determine the alignment and grade of the utility.

1.02 RIGHTS-OF-WAY

- A. The CONTRACTOR shall not do any work that would affect any oil, gas, sewer, or water pipeline; any telephone, telegraph, or electric transmission line; any fence; or any other structure, nor shall the CONTRACTOR enter upon the rights-of-way involved until notified by the ENGINEER that the OWNER has secured authority from the proper party. After authority has been obtained, the CONTRACTOR shall give said party due notice of its intention to begin work, if required by said party, and shall remove, shore, support or otherwise protect such pipeline, transmission line, ditch, fence, or structure or replace the same. When two or more contracts are being executed at one time on the same or adjacent land in such manner that work on one contract may interfere with that on another, the OWNER shall determine the sequence and order of the WORK. When the territory of one contract is the necessary or convenient means of access for the execution of another contract, such privilege of access or any other reasonable privilege may be granted by the OWNER to the CONTRACTOR so desiring, to the extent, amount, in the manner, and at the times permitted. No such decision as to the method or time of conducting the WORK or the use of territory shall be made the basis of any claim for delay or damage, except as provided for temporary suspension of the WORK in the General Conditions of the Contract.

1.03 PROTECTION OF STREET OR ROADWAY MARKERS

- A. The CONTRACTOR shall not destroy, remove, or otherwise disturb any existing survey markers or other existing street or roadway markers without proper authorization. No pavement breaking or excavation shall be started until all survey

or other permanent marker points that will be disturbed by the construction operations have been properly referenced. All survey markers or points disturbed by the CONTRACTOR shall be accurately restored after all street or roadway resurfacing has been completed.

1.04 RESTORATION OF PAVEMENT

- A. General: All paved areas including asphaltic concrete berms cut or damaged during construction shall be replaced with similar materials and of equal thickness to match the existing adjacent undisturbed areas, except where specific resurfacing requirements have been called for in the Contract Documents or in the requirements of the agency issuing the permit. All temporary and permanent pavement shall conform to the requirements of the affected pavement OWNER. All pavements which are subject to partial removal shall be neatly saw cut in straight lines.
- B. Temporary Resurfacing: Wherever required by the public authorities having jurisdiction, the CONTRACTOR shall place temporary surfacing promptly after backfilling and shall maintain such surfacing for the period of time fixed by said authorities before proceeding with the final restoration of improvements.
- C. Permanent Resurfacing: In order to obtain a satisfactory junction with adjacent surfaces, the CONTRACTOR shall saw cut back and trim the edge so as to provide a clean, sound, vertical joint before permanent replacement of an excavated or damaged portion of pavement. Damaged edges of pavement along excavations and elsewhere shall be trimmed back by saw cutting in straight lines. All pavement restoration and other facilities restoration shall be constructed to finish grades compatible with adjacent undisturbed pavement.
- D. Restoration of Sidewalks or Private Properties: Wherever sidewalks or private properties and driveways have been removed for purposes of construction, the CONTRACTOR shall place suitable temporary sidewalks or driveways promptly after backfilling and shall maintain them in satisfactory condition for the period of time fixed by the authorities having jurisdiction over the affected portions before proceeding with the final restoration or, if no such period of times is so fixed, the CONTRACTOR shall maintain said temporary sidewalks or driveways until the final restoration thereof has been made. The CONTRACTOR shall restore all private properties within thirty (30) days after a complaint is received by the OWNER.

1.05 EXISTING UTILITIES AND IMPROVEMENTS

- A. General: The CONTRACTOR shall protect all Underground Utilities and other improvements which may be impaired during construction operations. It shall be the CONTRACTOR's responsibility to ascertain the actual location of all existing utilities and other improvements that will be encountered in its construction operations, and to see that such utilities or other improvements are adequately protected from damage due to such operations. The CONTRACTOR shall take all possible precautions for the protection of unforeseen utility lines to provide for uninterrupted service and to provide such special protection as may be necessary.
- B. Utilities to be Moved: In the case it shall be necessary to move the property of any public utility or franchise holder, such utility company or franchise holder will, upon

- request of the CONTRACTOR, be notified by the OWNER to move such property within a specified reasonable time. When utility lines that are to be removed are encountered within the area of operations, the CONTRACTOR shall notify the ENGINEER a sufficient time in advance for the necessary measures to be taken to prevent interruption of service.
- C. Where the proper completion of the WORK requires the temporary or permanent removal and/or relocation of an existing utility or other improvement which is indicated, the CONTRACTOR shall remove and, without unnecessary delay, temporarily replace or relocate such utility or improvement in a manner satisfactory to the ENGINEER and the OWNER of the facility. In all cases of such temporary removal or relocation, restoration to former location shall be accomplished by the CONTRACTOR in a manner that will restore or replace the utility or improvement as nearly as possible to its former locations and to as good or better condition than found prior to removal.
- D. OWNER's Right of Access: The right is reserved to the OWNER and to the OWNERS of public utilities and franchises to enter at any time upon any public street, alley, right-of-way, or easement for the purpose of making changes in their property made necessary by the WORK of this Contract.
- E. Underground Utilities Indicated: Existing utility lines that are indicated or the locations of which are made known to the CONTRACTOR prior to excavation and that are to be retained, and all utility lines that are constructed during excavation operations shall be protected from damage during excavation and backfilling and, if damaged, shall be immediately repaired or replaced by the CONTRACTOR.
- F. Underground Utilities Not Indicated: In the event that the CONTRACTOR damages any existing utility lines that are not indicated or the locations of which are not made known to the CONTRACTOR prior to excavation, a written report thereof shall be made immediately to the ENGINEER. If directed by the ENGINEER, repairs shall be made by the CONTRACTOR under the provisions for changes and extra work contained in the General Conditions.
- G. All costs of locating, repairing damage not due to failure of the CONTRACTOR to exercise reasonable care, and removing or relocating such utility facilities not shown in the Contract Documents with reasonable accuracy, and for equipment on the project which was actually working on that portion of the work which was interrupted or idled by removal or relocation of such utility facilities, and which was necessarily idled during such work will be paid for as extra work in accordance with the provisions of the General Conditions.
- H. Approval of Repairs: All repairs to a damaged utility or improvement are subject to inspection and approval by an authorized representative of the utility or improvement OWNER and the ENGINEER before being concealed by backfill or other work.
- I. Maintaining in Service: All oil and gasoline pipelines, power, and telephone or the communication cable ducts, gas and water mains, irrigation lines, sewer lines, storm drain lines, poles, and overhead power and communication wires and cables encountered along the line of the WORK shall remain continuously in service during all the operations under the Contract, unless other arrangements satisfactory to the

ENGINEER are made with the owner of said pipelines, duct, main, irrigation line, sewer, storm drain, pole, or wire or cable. The CONTRACTOR shall be responsible for and shall repair all damage due to its operations, and the provisions of this Section shall not be abated even in the event such damage occurs after backfilling or is not discovered until after completion of the backfilling.

- J. Existing Water Services: CONTRACTOR shall protect and provide temporary support for existing water services. Any water service damaged by the CONTRACTOR, shall be replaced at the CONTRACTOR's expense, with a new water service complete with new water main tap.

1.06 TREES WITHIN STREET RIGHTS-OF-WAY AND PROJECT LIMITS

- A. General: The CONTRACTOR shall exercise all necessary precautions so as not to damage or destroy any trees or shrubs, including those lying within street rights-of-way and project limits, and shall not trim or remove any trees unless such trees have been approved for trimming or removal by the jurisdictional agency or OWNER. All existing trees and shrubs which are damaged during construction shall be trimmed or replaced by the CONTRACTOR or a certified tree company under permit from the jurisdictional agency and/or the OWNER. Tree trimming and replacement shall be accomplished in accordance with the following paragraphs.
- B. Trimming: Symmetry of the tree shall be preserved; no stubs or splits or torn branches left; clean cuts shall be made close to the trunk or large branch. Spikes shall not be used for climbing live trees. All cuts over 1-1/2 inches in diameter shall be coated with an asphaltic emulsion material.
- C. Replacement: The CONTRACTOR shall immediately notify the jurisdictional agency and/or the OWNER if any tree is damaged by the CONTRACTOR's operations. If, in the opinion of said agency or the OWNER, the damage is such that replacement is necessary, the CONTRACTOR shall replace the tree at CONTRACTOR's own expense. The tree shall be of a like size and variety as the tree damaged, or, if of a smaller size, the CONTRACTOR shall pay to the OWNER of said tree a compensatory payment acceptable to the tree OWNER, subject to the approval of the jurisdictional agency or OWNER. The size of the trees shall be not less than 1-inch diameter nor less than 6 feet in height.

1.07 NOTIFICATION BY THE CONTRACTOR

- A. Prior to any excavation in the vicinity of any existing underground facilities, including all water, sewer, storm drain, gas, petroleum products, or other pipelines; all buried electric power, communications, or television cables; all traffic signal and street lighting facilities; and all roadway and state highway rights-of-way the CONTRACTOR shall notify the respective authorities representing the OWNERS or agencies responsible for such facilities not less than 3 days nor more than 7 days prior to excavation so that a representative of said OWNERS or agencies can be present during such work if they so desire. The CONTRACTOR shall also notify the Sunshine State One Call Center 1-800-432-4770 at least 2 days, but no more than 14 days, prior to such excavation.

PART 2 PRODUCTS

PROTECTION OF EXISTING FACILITIES

015300- 4

2.01 MATERIALS, GENERAL

- A. Materials may be new or used, suitable for the intended purpose, but must not violate requirements of applicable codes and standards.

2.02 FENCING

- A. Materials to CONTRACTOR's option, minimum fence height = 6 feet.

2.03 BARRIERS

- A. Materials to CONTRACTOR's option, as appropriate to serve required purpose.

PART 3 EXECUTION**3.01 GENERAL**

- A. Install facilities of a neat and reasonable uniform appearance, structurally adequate for required purposes.
- B. Maintain barriers during entire construction period.
- C. Relocate barriers as required by progress of construction.

3.02 TREE AND PLANT PROTECTION

- A. Preserve and protect existing trees and plants adjacent to work areas.
- B. Consult with OWNER's Representative and remove agreed-on roots and branches which interfere with work.
 - 1. Employ qualified tree surgeon to remove branches, and to treat cuts.
- C. Protect root zones of trees and plants.
 - 1. Do not allow vehicular traffic and parking.
 - 2. Do not store materials or products.
 - 3. Prevent dumping of refuse or chemically injurious materials or liquids.
 - 4. Prevent puddling or continuous running water.
- D. Carefully supervise all work to prevent damage.
- E. Replace trees and plants which are damaged or destroyed due to work operations under this contract.

3.03 REMOVAL**PROTECTION OF EXISTING FACILITIES****015300- 5**

- A. Completely remove barricades, including foundations, when construction has progressed to the point that they are no longer needed, and when approved by OWNER's Representative.
- B. Clean and repair damage caused by installation, fill and grade areas of the site to required elevations and slopes, and clean the area.

3.04 MEASUREMENT AND PAYMENT

- A. There shall be no special measurement or payment for the work under this section, it shall be included in the price of all other work.

END OF SECTION

SECTION 015639 - TEMPORARY TREE AND PLANT PROTECTION**PART 1 - GENERAL****1.1 RELATED DOCUMENTS**

- A. Drawings and general provisions of the Contract, including General and Supplementary Conditions and other Division 01 Specification Sections, apply to this Section.

1.2 SUMMARY

- A. Section includes general protection and pruning of existing trees and plants that are affected by execution of the Work, whether temporary or permanent construction.
- B. Related Sections:
 - 1. Division 01 Section "Temporary Facilities and Controls" for temporary site fencing.
 - 2. Division 31 Section "Site Clearing" for removing existing trees and shrubs.

1.3 DEFINITIONS

- A. Caliper: Diameter of a trunk measured by a diameter tape at 6 inches (150 mm) above the ground for trees up to, and including, 4-inch (100-mm) size; and 12 inches (300 mm) above the ground for trees larger than 4-inch (100-mm) size.
- B. Plant-Protection Zone: Area surrounding individual trees, groups of trees, shrubs, or other vegetation to be protected during construction, and indicated on Drawings.
- C. Tree-Protection Zone: Area surrounding individual trees or groups of trees to be protected during construction, and indicated on Drawings defined by a circle concentric with each tree with a radius 1.5 times the diameter of the drip line unless otherwise indicated.
- D. Vegetation: Trees, shrubs, groundcovers, grass, and other plants.

1.4 SUBMITTALS

- A. Product Data: For each type of product indicated.
- B. Samples for Verification: For each type of the following:
 - 1. Organic Mulch: 1-quart (1-L) volume of organic mulch; in sealed plastic bags labeled with composition of materials by percentage of weight and source of mulch.
 - 2. Protection-Zone Fencing: Assembled Samples of manufacturer's standard size made from full-size components.
 - 3. Protection-Zone Signage: Full-size Samples of each size and text, ready for installation.

- C. Tree Pruning Schedule: Written schedule detailing scope and extent of pruning of trees to remain that interfere with or are affected by construction.
 - 1. Species and size of tree.
 - 2. Location on site plan. Include unique identifier for each.
 - 3. Reason for pruning.
 - 4. Description of pruning to be performed.
 - 5. Description of maintenance following pruning.
- D. Qualification Data: For qualified arborist and tree service firm.
- E. Certification: From arborist, certifying that trees indicated to remain have been protected during construction according to recognized standards and that trees were promptly and properly treated and repaired when damaged.
- F. Maintenance Recommendations: From arborist, for care and protection of trees affected by construction during and after completing the Work.
- G. Existing Conditions: Documentation of existing trees and plantings indicated to remain, which establishes preconstruction conditions that might be misconstrued as damage caused by construction activities.
 - 1. Use sufficiently detailed photographs or videotape.
 - 2. Include plans and notations to indicate specific wounds and damage conditions of each tree or other plants designated to remain.

1.5 QUALITY ASSURANCE

- A. Arborist Qualifications: **Certified Arborist as certified by ISA, Certified Arborist-Municipal Specialist as certified by ISA, Licensed arborist in jurisdiction where Project is located, Current member of ASCA, or Registered Consulting Arborist as designated by ASCA.**
- B. Tree Service Firm Qualifications: An experienced tree service firm that has successfully completed temporary tree and plant protection work similar to that required for this Project and that will assign an experienced, qualified arborist to Project site during execution of the Work.
- C. Pre-installation Conference: Conduct conference at Fort Lauderdale City Hall.
 - 1. Review methods and procedures related to temporary tree and plant protection including, but not limited to, the following:
 - a. Construction schedule. Verify availability of materials, personnel, and equipment needed to make progress and avoid delays.
 - b. Enforcing requirements for protection zones.
 - c. Arborist's responsibilities.
 - d. Field quality control.

1.6 PROJECT CONDITIONS

- A. The following practices are prohibited within protection zones:
 - 1. Storage of construction materials, debris, or excavated material.
 - 2. Parking vehicles or equipment.
 - 3. Foot traffic.
 - 4. Erection of sheds or structures.
 - 5. Impoundment of water.
 - 6. Excavation or other digging unless otherwise indicated.
 - 7. Attachment of signs to or wrapping materials around trees or plants unless otherwise indicated.
- B. Do not direct vehicle or equipment exhaust toward protection zones.
- C. Prohibit heat sources, flames, ignition sources, and smoking within or near protection zones and organic mulch.

PART 2 - PRODUCTS

2.1 MATERIALS

- A. Topsoil: Natural or cultivated top layer of the soil profile or manufactured topsoil; containing organic matter and sand, silt, and clay particles; friable, pervious, and black or a darker shade of brown, gray, or red than underlying subsoil; reasonably free of subsoil, clay lumps, gravel, and other objects more than **1 inch (25 mm)** in diameter; and free of weeds, roots, and toxic and other nonsoil materials.
 - 1. Obtain topsoil only from well-drained sites where topsoil is 4 inches (100 mm) deep or more; do not obtain from bogs or marshes.
- B. Topsoil: Imported or manufactured topsoil complying with ASTM D 5268 or equivalent.
- C. Organic Mulch: Free from deleterious materials and suitable as a top dressing for trees and shrubs, consisting of one of the following:
 - 1. Type: **Wood and bark chips**
 - 2. Size Range: 3 inches (76 mm) maximum, 1/2 inch (13 mm) minimum.
 - 3. Revise subparagraph below if artificially colored mulch is required.
 - 4. Color: Natural.
- D. Protection-Zone Fencing: Fencing fixed in position and meeting one of the following requirements.
 - 1. Chain-Link Protection-Zone Fencing: Polymer-coated galvanized-steel fencing fabricated from minimum 2-inch (50-mm) opening, 0.148-inch- (3.76-mm-) diameter wire chain-link fabric; with pipe posts, minimum 2-3/8-inch- (60-mm-) OD line posts, and 2-7/8-inch- (73-mm-) OD corner and pull posts; with 0.177-inch- (4.5-mm-) diameter top tension wire and 0.177-inch- (4.5-mm-) diameter bottom tension wire; with tie wires, hog ring ties, and other accessories for a complete fence system.

- a. Height: 6 feet (1.8 m).
 - b. Polymer-Coating Color: Dark green.
- 2. Plywood Protection-Zone Fencing: Plywood framed with four 2-by-4-inch (50-by-100-mm) rails, with 4-by-4-inch (100-by-100-mm) preservative-treated wood posts spaced not more than 8 feet (2.4 m) apart.
 - a. Height: 4 feet (1.2 m)
 - b. Plywood and Lumber: Comply with requirements in Division 06 Section Rough Carpentry.
- 3. Wood Protection-Zone Fencing: Constructed of two 2-by-4-inch (50-by-100-mm) horizontal rails, with 4-by-4-inch (100-by-100-mm) preservative-treated wood posts spaced not more than 8 feet (2.4 m) apart, and lower rail set halfway between top rail and ground.
 - a. Height: 4 feet (1.2 m).
 - b. Lumber: Comply with requirements in Division 06 Section "Rough Carpentry."
- 4. Plastic Protection-Zone Fencing: Plastic construction fencing constructed of high-density extruded and stretched polyethylene fabric with 2-inch (50-mm) maximum opening in pattern and weighing a minimum of 0.4 lb/ft. (0.6 kg/m); remaining flexible from minus 60 to plus 200 deg F (minus 16 to plus 93 deg C); inert to most chemicals and acids; minimum tensile yield strength of 2000 psi (13.8 MPa) and ultimate tensile strength of 2680 psi (18.5 MPa); secured with plastic bands or galvanized-steel or stainless-steel wire ties; and supported by tubular or T-shape galvanized-steel posts spaced not more than 8 feet (2.4 m) apart.
 - a. Height: 4 feet (1.2).
 - b. Color: High-visibility orange, nonfading.
- 5. Gates: Single swing access gates matching material and appearance of fencing, to allow for maintenance activities within protection zones; leaf width 36 inches (914 mm).
- E. Protection-Zone Signage: Shop-fabricated, rigid plastic or metal sheet with attachment holes pre-punched and reinforced; legibly printed with nonfading lettering and as follows:
 - 1. Size and Text: As shown on Drawings
 - 2. Lettering: 3-inch- (75-mm-) high minimum, black characters on white background.

PART 3 - EXECUTION

3.1 EXAMINATION

- A. Erosion and Sedimentation Control: Examine the site to verify that temporary erosion- and sedimentation-control measures are in place. Verify that flows of water redirected from construction areas or generated by construction activity do not enter or cross protection zones.

- B. For the record, prepare written report, endorsed by arborist, listing conditions detrimental to tree and plant protection.

3.2 PREPARATION

- A. Locate and clearly identify trees, shrubs, and other vegetation to remain or to be relocated. Tie a 1-inch (25-mm) blue-vinyl tape around each tree trunk at 54 inches (1372 mm) above the ground.
- B. Protect tree root systems from damage caused by runoff or spillage of noxious materials while mixing, placing, or storing construction materials. Protect root systems from ponding, eroding, or excessive wetting caused by dewatering operations.
- C. Tree-Protection Zones: Mulch areas inside tree-protection zones and other areas indicated.
 - 1. Apply 4-inch (100-mm) average thickness of organic mulch. Do not place mulch within 6 inches (150 mm) of tree trunks.

3.3 TREE- AND PLANT-PROTECTION ZONES

- A. Protection-Zone Fencing: Install protection-zone fencing along edges of protection zones before materials or equipment are brought on the site and construction operations begin in a manner that will prevent people and animals from easily entering protected area except by entrance gates. Construct fencing so as not to obstruct safe passage or visibility at vehicle intersections where fencing is located adjacent to pedestrian walkways or in close proximity to street intersections, drives, or other vehicular circulation.
 - 1. Chain-Link Fencing: Install to comply with ASTM F 567 and with manufacturer's written instructions.
 - 2. Posts: Set or drive posts into ground one-third the total height of the fence without concrete footings. Where a post is located on existing paving or concrete to remain, provide appropriate means of post support acceptable to Architect.
 - 3. Access Gates: Install where indicated or directed by Construction Project Manager; adjust to operate smoothly, easily, and quietly, free of binding, warp, excessive deflection, distortion, nonalignment, misplacement, disruption, or malfunction, throughout entire operational range. Confirm that latches and locks engage accurately and securely without forcing or binding.
- B. Protection-Zone Signage: Install protection-zone signage in visibly prominent locations in a manner approved by Construction Project Manager. Install one sign spaced approximately every **25 feet (8 m)** on protection-zone fencing, but no fewer than **four (4)** signs with each facing a different direction.
- C. Maintain protection zones free of weeds and trash.
- D. Repair or replace trees, shrubs, and other vegetation indicated to remain or be relocated that are damaged by construction operations, in a manner approved by Architect.

- E. Maintain protection-zone fencing and signage in good condition as acceptable to Architect and remove when construction operations are complete and equipment has been removed from the site.
 - 1. Do not remove protection-zone fencing, even temporarily, to allow deliveries or equipment access through the protection zone.
 - 2. Temporary access is permitted subject to preapproval in writing by arborist if a root buffer effective against soil compaction is constructed as directed by arborist. Maintain root buffer so long as access is permitted.

3.4 EXCAVATION

- A. General: Excavate at edge of protection zones and for trenches indicated within protection zones according to requirements in Division 31 Section "Earth Moving."
- B. Trenching near Trees: Where utility trenches are required within protection zones, hand excavate under or around tree roots or tunnel under the roots by drilling, auger boring, or pipe jacking. Do not cut main lateral tree roots or taproots; cut only smaller roots that interfere with installation of utilities. Cut roots as required for root pruning.
- C. Redirect roots in backfill areas where possible. If encountering large, main lateral roots, expose roots beyond excavation limits as required to bend and redirect them without breaking. If encountered immediately adjacent to location of new construction and redirection is not practical, cut roots approximately **3 inches (75 mm)** back from new construction and as required for root pruning.
- D. Do not allow exposed roots to dry out before placing permanent backfill. Provide temporary earth cover or pack with peat moss and wrap with burlap. Water and maintain in a moist condition. Temporarily support and protect roots from damage until they are permanently relocated and covered with soil.

3.5 ROOT PRUNING

- A. Prune roots that are affected by temporary and permanent construction. Prune roots as shown on Drawings and as follows:
 - 1. Cut roots manually by digging a trench and cutting exposed roots with sharp pruning instruments; do not break, tear, chop, or slant the cuts. Do not use a backhoe or other equipment that rips, tears, or pulls roots.
 - 2. Cut Ends: Coat cut ends of roots more than **1-1/2 inches (38 mm)** in diameter with an emulsified asphalt or other coating formulated for use on damaged plant tissues and that is acceptable to arborist.
 - 3. Temporarily support and protect roots from damage until they are permanently redirected and covered with soil.
 - 4. Cover exposed roots with burlap and water regularly.
 - 5. Backfill as soon as possible according to requirements in Division 31 Section "Earth Moving."
- B. Root Pruning at Edge of Protection Zone: Prune roots 6 inches (150 mm) outside of the protection zone, by cleanly cutting all roots to the depth of the required excavation.

- C. Root Pruning within Protection Zone: Clear and excavate by hand to the depth of the required excavation to minimize damage to root systems. Use narrow-tine spading forks, comb soil to expose roots, and cleanly cut roots as close to excavation as possible.

3.6 CROWN PRUNING

- A. Prune branches that are affected by temporary and permanent construction. Prune branches **as shown on Drawings and as follows:**
 - 1. Prune trees to remain to compensate for root loss caused by damaging or cutting root system. Provide subsequent maintenance during Contract period as recommended by arborist.
 - 2. Pruning Standards: Prune trees according to ANSI A300 (Part 1).
 - 3. Cut branches with sharp pruning instruments; do not break or chop.
 - 4. Do not apply pruning paint to wounds.
- B. Chip removed branches and spread over areas identified by City Landscape Architect.

3.7 REGRADING

- A. Lowering Grade: Where new finish grade is indicated below existing grade around trees, slope grade beyond the protection zone. Maintain existing grades within the protection zone.
- B. Lowering Grade within Protection Zone: Where new finish grade is indicated below existing grade around trees, slope grade away from trees as recommended by arborist unless otherwise indicated.
 - 1. Root Pruning: Prune tree roots exposed by lowering the grade. Do not cut main lateral roots or taproots; cut only smaller roots. Cut roots as required for root pruning.
- C. Raising Grade: Where new finish grade is indicated above existing grade around trees, slope grade beyond the protection zone. Maintain existing grades within the protection zone.
- D. Minor Fill within Protection Zone: Where existing grade is 2 inches (50 mm or less below elevation of finish grade, fill with topsoil. Place topsoil in a single un-compacted layer and hand grade to required finish elevations.

3.8 FIELD QUALITY CONTROL

- A. Inspections: Engage a qualified arborist to direct plant-protection measures in the vicinity of trees, shrubs, and other vegetation indicated to remain and to prepare inspection reports.

3.9 REPAIR AND REPLACEMENT

- A. General: Repair or replace trees, shrubs, and other vegetation indicated to remain or be relocated that are damaged by construction operations, in a manner approved by Architect.
 - 1. Submit details of proposed root cutting and tree and shrub repairs.
 - 2. Have arborist perform the root cutting, branch pruning, and damage repair of trees and shrubs.

3. Treat damaged trunks, limbs, and roots according to arborist's written instructions.
 4. Perform repairs within 24 hours.
 5. Replace vegetation that cannot be repaired and restored to full-growth status, as determined by Architect.
- B. Trees: Remove and replace trees indicated to remain that are more than twenty-five (25%) percent dead or in an unhealthy condition before the end of the construction period or are damaged during construction operations that Architect determines are incapable of restoring to normal growth pattern.
1. Provide new trees of same size and species as those being replaced for each tree that measures 4 inches (100 mm) or smaller in caliper size.
 2. Provide two new tree(s) of 4-inch (100-mm caliper size for each tree being replaced that measures more than 4 inches (100 mm) in caliper size.
 - a. Species: Species selected by City Landscape Architect.
 3. Plant and maintain new trees as specified in Division 32 Section "Plants."
- C. Soil Aeration: Where directed by Construction Project Manager, aerate surface soil compacted during construction. Aerate 10 feet (3 m) beyond drip line and no closer than 36 inches (900 mm) to tree trunk. Drill 2-inch- (50-mm-) diameter holes a minimum of 12 inches (300 mm) deep at 24 inches (600 mm) o.c. Backfill holes with an equal mix of augered soil and sand.

3.10 DISPOSAL OF SURPLUS AND WASTE MATERIALS

- A. Disposal: Remove excess excavated material, displaced trees, trash and debris, and legally dispose of them off Owner's property.

END OF SECTION 015639

SECTION 015700 – TRAFFIC REGULATIONS**PART 1 GENERAL**

1.01 REQUIREMENTS INCLUDED

- A. Provide, operate and maintain equipment, services and personnel, with traffic control and protective devices, as required to expedite vehicular traffic flow on haul routes, at site entrances, on-site access roads, and parking areas.
- B. Remove temporary equipment and facilities when no longer required, restore grounds to original, or specified conditions.

1.02 RELATED REQUIREMENTS

- A. All applicable sections of the Specifications.
- B. Conditions of the Contract.

1.03 TRAFFIC SIGNALS AND SIGNS

- A. Provide and operate traffic control and directional signals or signs required to direct and maintain an orderly flow of traffic in all areas under CONTRACTOR's control, or affected by CONTRACTOR's operations.

1.04 FLAGPERSON

- A. Provide qualified and suitably equipped flag-person when construction operations encroach on traffic lanes, as required for regulation of traffic.

1.05 FLARES AND LIGHTS

- A. Provide flares and lights during periods of low visibility:
 - 1. To clearly delineate traffic lanes and to guide traffic.
 - 2. For use of flag-person in directing traffic.
- B. Provide illumination of critical traffic and parking areas.
 - 1. Maintain free vehicular access to and through parking areas.
 - 2. Prohibit parking on or adjacent to access roads, or in non-designated areas.

1.06 HAUL ROUTES

- A. Consult with OWNER and governing authorities, establish public thoroughfares which will be used as haul routes and site access.
- B. Confine construction traffic to designated haul routes.

- C. Provide traffic control at critical areas of haul routes to expedite traffic flow, to minimize interference with normal public traffic.

1.07 EMERGENCY ACCESS

- A. In order to provide protection to the workers and residents, the Contractor shall maintain emergency access to all adjacent properties at all times during construction. If a road is required to be closed to vehicular traffic and the distance of the closure exceeds 150 feet between stabilized surfaces, or prevents access to properties for a distance that exceeds 150 feet, the Contractor shall provide a 10 foot wide stabilized access way on one side of the trench capable of supporting a Fire Truck. Contractor shall also provide stabilized access ways across the trench or unstabilized area a minimum of 6 feet in width at a spacing not to exceed 100 feet capable of supporting foot traffic. These access ways shall be protected and delineated with lighted barricades or other such devices as approved by the regulatory agency. Both ends of the emergency access way shall be blocked in accordance with the MOT permit approved by the City of Fort Lauderdale and FDOT with signage indicating that this access way is to be used by emergency vehicles only.

No trenches or holes shall be left open after working hours. In the event a trench must be left open after hours, it shall be done so only with the express written permission from the Engineer, and it shall be the Contractor's responsibility to provide proper protection of the open trench or hole as required by the regulatory agency. In addition the Contractor shall provide a security guard at the site whenever the Contractor's personnel are not present, 24 hours per day/ 7 days per week. It shall be the Security Guard's responsibility to protect the open trench or hole from trespassers and to direct emergency personnel on site. The Security Guard shall not have any other responsibilities such as operation pumps or equipment but shall be dedicated to protecting the trench or open hole. The Security Guard shall be equipped with a wireless telephone capable of calling 911 to report an emergency and shall keep that telephone on their person at all times. In addition to this provision the contractor shall maintain trench safety and comply with current OSHA regulations and the Trench Safety Act. The contractor shall maintain and keep all safety barricades, signage, flashers, and detours, in operation condition. A copy of the approved MOT plans, and details, shall be on site at all times.

- B. Measurement and payment for security guard services shall be included in the utility pipe installation unit price. Measurement for temporary emergency access ways will be paid for under the specified line item at the unit price described in the bid schedule.

PART 2 PRODUCTS (Not Applicable)

PART 3 EXECUTION

3.01 MEASUREMENT AND PAYMENT

- A. There shall be no special measurement and payment for work under the section; it shall be included in the lump sum price bid for Maintenance of Traffic.

END OF SECTION

SECTION 015900 – PROJECT SIGN

PART 1 GENERAL

Contractor shall furnish a 4' x 8' sign, below is a sample, not specific to the project. Sign shall be made to be weather resistant and on display for entire length of contract. Shop drawings must be submitted prior to sign construction. The exact style and design of the sign will be provided during the preconstruction meeting.



Electrical Upgrades Coming to Fort Lauderdale Executive Airport

Investing in local infrastructure to strengthen resilience and enhance community amenities

What's Happening?

The City is expanding the electrical vault at FXE to accommodate an improved airfield lighting system and new energy-efficient regulators to reduce airport maintenance costs.

(954) 828-8000
www.fortlauderdale.gov



Planned Improvements

- Expanded electrical vault
- Improved airfield lighting control system
- New A/C system

Cost

\$1,063,648

Expected Completion

June 2019

Project Number

12189

Contractor

American Infrastructure Services, Inc.

Fort Lauderdale City Commission

Dean J. Trantalis
 Mayor

Ben Sorensen
 Vice Mayor, District IV

Heather Moraitis
 Commissioner, District I

Sтивен Glassman
 Commissioner, District II

Robert L. McKinzie
 Commissioner, District III

Lee R. Feldman, ICMA-CM
 City Manager

END OF SECTION

SECTION 016000 - PRODUCT REQUIREMENTS**PART 1 - GENERAL****1.1 RELATED DOCUMENTS**

- A. Drawings and general provisions of the Contract, including General and Supplementary Conditions and other Division 01 Specification Sections, apply to this Section.

1.2 SUMMARY

- A. This Section includes administrative and procedural requirements for selection of products for use in Project; product delivery, storage, and handling; manufacturers' standard warranties on products; special warranties; product substitutions; and comparable products.
- B. Related Sections include the following:
 - 1. Division 01 Section "Allowances" for products selected under an allowance.
 - 2. Division 01 Section "Alternates" for products selected under an alternate.
 - 3. Division 01 Section "Substitution Procedures" for requests for substitutions.
 - 4. Division 01 Section "References" for applicable industry standards for products specified.

1.3 DEFINITIONS

- A. Products: Items purchased for incorporating into the Work, whether purchased for Project or taken from previously purchased stock. The term "product" includes the terms "material," "equipment," "system," and terms of similar intent.
 - 1. Named Products: Items identified by manufacturer's product name, including make or model number or other designation shown or listed in manufacturer's published product literature that is current as of date of the Contract Documents.
 - 2. New Products: Items that have not previously been incorporated into another project or facility, except that products consisting of recycled-content materials are allowed, unless explicitly stated otherwise. Products salvaged or recycled from other projects are not considered new products.
 - 3. Comparable Product: Product that is demonstrated and approved through submittal process, or where indicated as a product substitution, to have the indicated qualities related to type, function, dimension, in-service performance, physical properties, appearance, and other characteristics that equal or exceed those of specified product.
- B. Basis-of-Design Product Specification: A specification in which a specific manufacturer's product is named and accompanied by the words "basis-of-design product," including make or model number or other designation, to establish the significant qualities related to type, function, dimension, in-service performance, physical properties, appearance, and other characteristics for purposes of evaluating comparable products of additional manufacturers named in the specification.

1.4 ACTION SUBMITTALS

- A. Comparable Product Requests: Submit request for consideration of each comparable product. Identify product or fabrication or installation method to be replaced. Include Specification Section number and title and Drawing numbers and titles.
1. Include data to indicate compliance with the requirements specified in "Comparable Products" Article.
 2. Architect's Action: If necessary, Architect will request additional information or documentation for evaluation within one week of receipt of a comparable product request. Architect will notify Contractor through Construction Project Manager of approval or rejection of proposed comparable product request within **ten (10) days** of receipt of request, or seven **(7) days** of receipt of additional information or documentation, whichever is later.
 - a. Form of Approval: As specified in Division 01 Section "Submittal Procedures."
 - b. Use product specified if Architect does not issue a decision on use of a comparable product request within time allocated.
- B. Basis-of-Design Product Specification Submittal: Comply with requirements in Division 01 Section "Submittal Procedures." Show compliance with requirements.

1.5 QUALITY ASSURANCE

- A. Compatibility of Options: If Contractor is given option of selecting between two or more products for use on Project, select product compatible with products previously selected, even if previously selected products were also options.
1. Each contractor is responsible for providing products and construction methods compatible with products and construction methods of other contractors.
 2. If a dispute arises between contractors over concurrently selectable but incompatible products, Architect will determine which products shall be used.

1.6 PRODUCT DELIVERY, STORAGE, AND HANDLING

- A. Deliver, store, and handle products using means and methods that will prevent damage, deterioration, and loss, including theft and vandalism. Comply with manufacturer's written instructions.
- B. Delivery and Handling:
1. Schedule delivery to minimize long-term storage at Project site and to prevent overcrowding of construction spaces.
 2. Coordinate delivery with installation time to ensure minimum holding time for items that are flammable, hazardous, easily damaged, or sensitive to deterioration, theft, and other losses.
 3. Deliver products to Project site in an undamaged condition in manufacturer's original sealed container or other packaging system, complete with labels and instructions for handling, storing, unpacking, protecting, and installing.
 4. Inspect products on delivery to determine compliance with the Contract Documents and to determine that products are undamaged and properly protected.

C. Storage:

1. Store products to allow for inspection and measurement of quantity or counting of units.
2. Store materials in a manner that will not endanger Project structure.
3. Store products that are subject to damage by the elements, under cover in a weather-tight enclosure above ground, with ventilation adequate to prevent condensation.
4. Protect foam plastic from exposure to sunlight, except to extent necessary for period of installation and concealment.
5. Comply with product manufacturer's written instructions for temperature, humidity, ventilation, and weather-protection requirements for storage.
6. Protect stored products from damage and liquids from freezing.
7. Provide a secure location and enclosure at Project site for storage of materials and equipment by City's construction forces. Coordinate location with City.

1.7 PRODUCT WARRANTIES

- A. Warranties specified in other Sections shall be in addition to, and run concurrent with, other warranties required by the Contract Documents. Manufacturer's disclaimers and limitations on product warranties do not relieve Contractor of obligations under requirements of the Contract Documents.
1. Manufacturer's Warranty: Written warranty furnished by individual manufacturer for a particular product and specifically endorsed by manufacturer to City.
 2. Special Warranty: Written warranty required by the Contract Documents to provide specific rights for City.
- B. Special Warranties: Prepare a written document that contains appropriate terms and identification, ready for execution.
1. Manufacturer's Standard Form: Modified to include Project-specific information and properly executed.
 2. Specified Form: When specified forms are included with the Specifications, prepare a written document using indicated form properly executed.
 3. See Divisions 02 through 33 Sections for specific content requirements and particular requirements for submitting special warranties.
 4. Submittal Time: Comply with requirements in Division 01 Section "Closeout Procedures."

PART 2 - PRODUCTS

2.1 PRODUCT SELECTION PROCEDURES

- A. General Product Requirements: Provide products that comply with the Contract Documents, are undamaged and, unless otherwise indicated, are new at time of installation.
1. Provide products complete with accessories, trim, finish, fasteners, and other items needed for a complete installation and indicated use and effect.
 2. Standard Products: If available, and unless custom products or nonstandard options are specified, provide standard products of types that have been produced and used successfully in similar situations on other projects.

3. City reserves the right to limit selection to products with warranties not in conflict with requirements of the Contract Documents.
4. Where products are accompanied by the term "as selected," Architect will make selection.
5. Descriptive, performance, and reference standard requirements in the Specifications establish salient characteristics of products.
6. Or Equal: For products specified by name and accompanied by the term "or equal," or "or approved equal," or "or approved," comply with requirements in "Comparable Products" Article to obtain approval for use of an unnamed product.

B. Product Selection Procedures:

1. Product: Where Specifications name a single manufacturer and product, provide the named product that complies with requirements. Comparable products or substitutions for Contractor's convenience will not be considered.
2. Manufacturer/Source: Where Specifications name a single manufacturer or source, provide a product by the named manufacturer or source that complies with requirements. Comparable products or substitutions for Contractor's convenience will not be considered.
3. Products:
 - a. Restricted List: Where Specifications include a list of names of both manufacturers and products, provide one of the products listed that complies with requirements. Comparable products or substitutions for Contractor's convenience will be considered unless otherwise indicated.
 - b. Nonrestricted List: Where Specifications include a list of names of both available manufacturers and products, provide one of the products listed, or an unnamed product, that complies with requirements. Comply with requirements in "Comparable Products" Article for consideration of an unnamed product.
4. Manufacturers:
 - a. Restricted List: Where Specifications include a list of manufacturers' names, provide a product by one of the manufacturers listed that complies with requirements. Comparable products or substitutions for Contractor's convenience will be considered unless otherwise indicated.
 - b. Non-restricted List: Where Specifications include a list of available manufacturers, provide a product by one of the manufacturers listed, or a product by an unnamed manufacturer, that complies with requirements. Comply with requirements in "Comparable Products" Article for consideration of an unnamed manufacturer's product.
5. Basis-of-Design Product: Where Specifications name a product, or refer to a product indicated on Drawings, and include a list of manufacturers, provide the specified or indicated product or a comparable product by one of the other named manufacturers. Drawings and Specifications indicate sizes, profiles, dimensions, and other characteristics that are based on the product named. Comply with requirements in "Comparable Products" Article for consideration of an unnamed product by one of the other named manufacturers.

- C. Visual Matching Specification: Where Specifications require "match Architect's sample", provide a product that complies with requirements and matches Architect's sample.

Architect's decision will be final on whether a proposed product matches.

1. If no product available within specified category matches and complies with other specified requirements, comply with requirements in Division 01 Section "Substitution Procedures" for proposal of product.
- D. Visual Selection Specification: Where Specifications include the phrase "as selected by Architect from manufacturer's full range" or similar phrase, select a product that complies with requirements. Architect will select color, gloss, pattern, density, or texture from manufacturer's product line that includes both standard and premium items.

2.2 COMPARABLE PRODUCTS

- A. Conditions for Consideration: Architect will consider Contractor's request for comparable product when the following conditions are satisfied. If the following conditions are not satisfied, Architect may return requests without action, except to record noncompliance with these requirements:
1. Evidence that the proposed product does not require revisions to the Contract Documents that the product is consistent with the Contract Documents and will produce the indicated results, and that it is compatible with other portions of the Work.
 2. Detailed comparison of significant qualities of proposed product with those named in the Specifications. Significant qualities include attributes such as performance, weight, size, durability, visual effect, and specific features and requirements indicated.
 3. Evidence that proposed product provides specified warranty.
 4. List of similar installations for completed projects with project names and addresses and names and addresses of architects and owners, if requested.
 5. Samples, if requested.

PART 3 - EXECUTION (Not Used)

END OF SECTION 016000

SECTION 017100 – CLEANING**PART 1 GENERAL**

1.01 REQUIREMENTS INCLUDED

- A. Execute cleaning, during progress of the Work, and at completion of the Work, as required by the General Conditions.

1.02 RELATED REQUIREMENTS

- A. All applicable sections of the Specifications.
- B. Conditions of the Contract.

1.03 DISPOSAL REQUIREMENTS

- A. Conduct cleaning and disposal operations to comply with codes, ordinances, regulations, and anti-pollution laws.

PART 2 PRODUCTS

2.01 MATERIALS

- A. Use only those cleaning materials which will not create hazards to health or property and which will not damage surfaces.
- B. Use only those cleaning materials and methods recommended by cleaning material manufacturer.

PART 3 EXECUTION

3.01 DURING CONSTRUCTION

- A. Execute periodic cleaning to keep the work, the site and adjacent properties free from accumulation of waste material, rubbish and windblown debris, resulting from Construction Work.
- B. Provide on-site containers for the collection of waste materials, debris and rubbish.
- C. Remove waste materials, debris and rubbish from the site periodically and dispose of at legal disposal areas away from the site.
- C. The OWNER's Representative reserves the right to direct the CONTRACTOR to remove waste materials
- D. Mechanical Sweeping: CONTRACTOR shall maintain on site a mechanical sweeping device for removing debris from existing, temporary and permanent pavement.

3.02 DUST CONTROL

- A. Perform operations so that dust and other contaminants resulting from Construction Work operations will not cause any damages or maintenance problems to adjacent properties.
- B. Schedule operations so that dust and other contaminants resulting from cleaning process will not fall on wet or newly coated surfaces.

3.03 FINAL CLEANING

- A. Employ skilled workmen for final cleaning.
- B. Remove grease, mastic, adhesives, dust, dirt, stains, fingerprints, labels, and other foreign materials from sight-exposed interior and exterior surfaces.
- C. Polish glossy surfaces to a clear shine.
- D. Broom clean exterior paved surfaces; rake clean other surfaces of the grounds.
- E. Prior to final completion, or OWNER occupancy, CONTRACTOR shall conduct an inspection of sight-exposed interior and exterior surfaces, and all work areas, to verify the entire work is clean.
- F. All storage and staging areas shall be cleaned and returned to prior conditions or better as per requirements of this section.

3.04 MEASUREMENT AND PAYMENT

- A. There shall be no special measurement or payment for the work under this section; it shall be included in the price of all other work.

END OF SECTION

SECTION 017300 - EXECUTION**PART 1 - GENERAL****1.1 RELATED DOCUMENTS**

- A. Drawings and general provisions of the Contract, including General and Supplementary Conditions and other Division 01 Specification Sections, apply to this Section.

1.2 SUMMARY

- A. This Section includes general administrative and procedural requirements governing execution of the Work including, but not limited to, the following:
 - 1. Construction layout.
 - 2. Field engineering and surveying.
 - 3. Installation of the Work.
 - 4. Progress cleaning.
 - 5. Starting and adjusting.
 - 6. Protection of installed construction.
 - 7. Correction of the Work.
- B. Related Sections include the following:
 - 1. Division 01 Section "Project Management and Coordination" for procedures for coordinating field engineering with other construction activities.
 - 2. Division 01 Section "Submittal Procedures" for submitting surveys.
 - 3. Division 01 Section "Closeout Procedures" for submitting final property survey with Project Record Documents, recording of City-accepted deviations from indicated lines and levels, and final cleaning.

1.3 SUBMITTALS

- A. Qualification Data: For land surveyor.
- B. Certificates: Submit certificate signed by land surveyor certifying that location and elevation of improvements comply with requirements.
- C. Certified Surveys: Submit two copies signed by land surveyor.

1.4 QUALITY ASSURANCE

- A. Land Surveyor Qualifications: A professional land surveyor who is licensed by the State of Florida and who is experienced in providing land-surveying services of the kind indicated.

PART 2 - PRODUCTS (Not used)**PART 3 - EXECUTION****3.1 EXAMINATION**

- A. Existing Conditions: The existence and location of underground and other utilities and construction indicated as existing are not guaranteed. Before beginning sitework, investigate

and verify the existence and location of underground utilities, and other construction affecting the Work.

1. Before construction verify the location of utility services.
- B. Acceptance of Conditions: Examine substrates, areas, and conditions, with Installer or Applicator present where indicated, for compliance with requirements for installation tolerances and other conditions affecting performance. Record observations.
 1. Verify compatibility with and suitability of substrates, including compatibility with existing finishes or primers.
- C. Proceed with installation only after unsatisfactory conditions have been corrected. Proceeding with the Work indicates acceptance of surfaces and conditions.

3.2 PREPARATION

- A. Existing Utility Information: Furnish information to local utility that is necessary to adjust, move, or relocate existing utility structures, utility poles, lines, services, or other utility appurtenances located in or affected by construction. Coordinate with authorities having jurisdiction.
- B. Field Measurements: Take field measurements as required to fit the Work properly. Recheck measurements before installing each product. Where portions of the Work are indicated to fit to other construction, verify dimensions of other construction by field measurements before fabrication. Coordinate fabrication schedule with construction progress to avoid delaying the Work.
- C. Space Requirements: Verify space requirements and dimensions of items shown diagrammatically on Drawings.
- D. Review of Contract Documents and Field Conditions: Immediately on discovery of the need for clarification of the Contract Documents caused by differing field conditions outside the control of Contractor, submit a request for information to Construction Manager according to requirements in Division 01 Section "Project Management and Coordination."

3.3 CONSTRUCTION LAYOUT

- A. Verification: Before proceeding to request for the City's surveyor to lay-out the Work, verify layout information shown on Drawings. If discrepancies are discovered, notify Construction Manager promptly.
- B. General: The City's Surveyor will provide the survey lay-out, benchmarks, control points, and one (1) set of stakes, which shall be protected and preserve by the Contractor. The Contractor shall safeguard all points, stakes, grade marks, monuments and bench marks made or established on the work, bear the cost of re-establishing same if disturbed, or bear the entire expense of rectifying work improperly installed due to not maintaining or protecting or for removing without authorization, such established points, stakes and marks. In the event that the Contractor requests that the City's Surveyor re-establishes this information, the Contractor shall be billed for this work at a billing rate of \$130/hour, if City survey crews are available. The Contractor shall be responsible for all surveying work necessary to complete this project, except for the initial information provided by the City's surveyor. The contractor shall safeguard all existing and known property corners, monuments and marks not related to the work and, if required, shall bear the cost of having them re-established by a

licensed surveyor if disturbed or destroyed during the course of construction.

- C. Schedule lay-out: The contractor shall submit his request for the City's surveyor, through the Construction Manager, at least 5 working days in advance in order to allow the Surveyor to schedule this work. The City's Surveyor will record the "as-built" information.
- D. Coordination: The Contractor shall be responsible to coordinate with subcontractors information received from City's surveyor.
 - 1. Establish limits on use of Project site.
 - 2. Establish dimensions within tolerances indicated. Do not scale Drawings to obtain required dimensions.
 - 3. Inform installers of lines and levels to which they must comply.
 - 4. Check the location, level and plumb, of every major element as the Work progresses.
 - 5. Notify Construction Manager when deviations from required lines and levels exceed allowable tolerances.

3.4 FIELD ENGINEERING

- A. Identification: City will identify existing benchmarks, control points, and property corners.
- B. Reference Points: Locate existing permanent benchmarks, control points, and similar reference points before beginning the Work. Preserve and protect permanent benchmarks and control points during construction operations.
 - 1. Do not change or relocate existing benchmarks or control points without prior written approval of Project Manager. Report lost or destroyed permanent benchmarks or control points promptly. Report the need to relocate permanent benchmarks or control points to Construction Manager before proceeding.
 - 2. Replace lost or destroyed permanent benchmarks and control points promptly. Base replacements on the original survey control points.

3.5 INSTALLATION

- A. General: Locate the Work and components of the Work accurately, in correct alignment and elevation, as indicated.
 - 1. Make vertical work plumb and make horizontal work level.
- B. Comply with manufacturer's written instructions and recommendations for installing products in applications indicated.
- C. Install products at the time and under conditions that will ensure the best possible results. Maintain conditions required for product performance until Substantial Completion.
- D. Conduct construction operations so no part of the Work is subjected to damaging operations or loading in excess of that expected during normal conditions of occupancy.
- E. Sequence the Work and allow adequate clearances to accommodate movement of construction items on site and placement in permanent locations.
- F. Tools and Equipment: Do not use tools or equipment that produce harmful noise levels.
- G. Templates: Obtain and distribute to the parties involved templates for work specified to be

factory prepared and field installed. Check Shop Drawings of other work to confirm that adequate provisions are made for locating and installing products to comply with indicated requirements.

- H. Attachment: Provide blocking and attachment plates and anchors and fasteners of adequate size and number to securely anchor each component in place, accurately located and aligned with other portions of the Work. Where size and type of attachments are not indicated, verify size and type required for load conditions.
 - 1. Mounting Heights: Where mounting heights are not indicated, mount components at heights directed by Engineer.
 - 2. Coordinate installation of anchorages. Furnish setting drawings, templates, and directions for installing anchorages, including sleeves, concrete inserts, anchor bolts, and items with integral anchors, that are to be embedded in concrete or masonry. Deliver such items to Project site in time for installation.
- I. Joints: Make joints of uniform width. Where joint locations in exposed work are not indicated, arrange joints for the best visual effect. Fit exposed connections together to form hairline joints.
- J. Hazardous Materials: Use products, cleaners, and installation materials that are not considered hazardous.
- K.

3.6 PROGRESS CLEANING

- A. General: Clean Project site and work areas daily, including common areas. Coordinate progress cleaning for joint-use areas where more than one installer has worked. Enforce requirements strictly. Dispose of materials lawfully.
 - 1. Comply with requirements in NFPA 241 for removal of combustible waste materials and debris.
 - 2. Do not hold materials more than 7 days during normal weather or 3 days if the temperature is expected to rise above 80 deg F (27 deg C).
 - 3. Containerize hazardous and unsanitary waste materials separately from other waste. Mark containers appropriately and dispose of legally, according to regulations.
- B. Site: Maintain Project site free of waste materials and debris.
- C. Installed Work: Keep installed work clean. Clean installed surfaces according to written instructions of manufacturer or fabricator of product installed, using only cleaning materials specifically recommended. If specific cleaning materials are not recommended, use cleaning materials that are not hazardous to health or property and that will not damage exposed surfaces.
- D. Exposed Surfaces in Finished Areas: Clean exposed surfaces and protect as necessary to ensure freedom from damage and deterioration at time of Substantial Completion.
- E. Waste Disposal: Do not bury or burn waste materials on-site. Do not wash waste materials down sewers or into waterways.
- F. During handling and installation, clean and protect construction in progress and adjoining

materials already in place. Apply protective covering where required to ensure protection from damage or deterioration at Substantial Completion.

3.7 PROTECTION OF INSTALLED CONSTRUCTION

- A. Provide final protection and maintain conditions that ensure installed Work is without damage or deterioration at time of Substantial Completion.

3.8 CORRECTION OF THE WORK

- A. Repair or remove and replace defective construction. Restore damaged substrates and finishes.
 - 1. Repairing includes replacing defective parts, refinishing damaged surfaces, touching up with matching materials, and properly adjusting operating equipment.
- B. Remove and replace damaged surfaces that are exposed to view if surfaces cannot be repaired without visible evidence of repair.

END OF SECTION 017300

SECTION 017419 - CONSTRUCTION WASTE MANAGEMENT AND DISPOSAL**PART 1 - GENERAL****1.1 RELATED DOCUMENTS**

- A. Drawings and general provisions of the Contract, including General and Supplementary Conditions and Division 01 Specification Sections, apply to this Section.

1.2 SUMMARY

- A. This Section includes administrative and procedural requirements for the following:
 - 1. Disposing of nonhazardous construction waste.

PART 2 - PRODUCTS (Not Used)**PART 3 - EXECUTION****3.1 DISPOSAL OF WASTE**

- A. General: Except for items or materials to be salvaged, recycled, or otherwise reused, remove waste materials from Project site and legally dispose of them in a landfill or incinerator acceptable to authorities having jurisdiction.
 - 1. Except as otherwise specified, do not allow waste materials that are to be disposed of accumulate on-site.
 - 2. Remove and transport debris in a manner that will prevent spillage on adjacent surfaces and areas.
- B. Burning: Do not burn waste materials.
- C. Disposal: Remove waste materials from City's property and legally dispose of them.

END OF SECTION 017419

SECTION 017700 - CLOSEOUT PROCEDURES**PART 1 - GENERAL****1.1 RELATED DOCUMENTS**

- A. Drawings and general provisions of the Contract, including General and Supplementary Conditions and other Division 01 Specification Sections, apply to this Section.

1.2 SUMMARY

- A. This section includes administrative and procedural requirements for contract closeout, including, but not limited to, the following:
1. Substantial Completion procedures.
 2. Final completion procedures.
 3. Warranties.
 4. Final cleaning.
 5. Repair of the Work.
- B. Related Sections include the following:
1. Division 01 Section "Payment Procedures" for requirements for Applications for Payment for Substantial and Final Completion.
 2. Division 01 Section "Photographic Documentation" for submitting Final Completion construction photographs and negatives.
 3. Division 01 Section "Execution Requirements" for progress cleaning of Project site.
 4. Division 01 Section "Project Record Documents" for submitting Record Drawings, Record Specifications, and Record Product Data.
 5. Divisions 02 through 33 Sections for specific closeout and special cleaning requirements for the Work in those Sections.

1.3 SUBSTANTIAL COMPLETION PROCEDURES

- A. Contractor's List of Incomplete Items: Prepare and submit a list of items to be completed and corrected (Contractor's punch list), indicating the value of each item on the list and reasons why the Work is incomplete.
- B. Submittals Prior to Substantial Completion: Complete the following prior to requesting inspection for determining date of Substantial Completion. List items below that are incomplete at time of request.
1. Submit closeout submittals specified in other Division 01 Sections, including project record documents, operation and maintenance manuals, final completion construction photographic documentation, damage or settlement surveys, and similar final record information.
 2. Submit closeout submittals specified in individual Divisions 02 through 33 Sections, including specific warranties, workmanship bonds, maintenance service agreements, final certifications, and similar documents.
 3. Submit maintenance material submittals specified in individual Divisions 02 through 33 Sections, including tools, spare parts, extra materials, and similar items, and deliver to location designated by Construction Manager. Label with manufacturer's name and

model number where applicable.

- C. Procedures Prior to Substantial Completion: Complete the following prior to requesting inspection for determining date of Substantial Completion. List items below that are incomplete at time of request.
1. Terminate and remove temporary facilities from Project site, along with construction tools, and similar elements.
 2. Complete final cleaning requirements, including touchup painting.
 3. Touch up and otherwise repair and restore marred exposed finishes to eliminate visual defects.
- D. Inspection: Submit a written request for inspection for Substantial Completion. On receipt of request, Construction Manager will either proceed with inspection or notify Contractor of unfulfilled requirements. Construction Manager will prepare the Certificate of Substantial Completion after inspection or will notify Contractor of items, either on Contractor's list or additional items identified by Construction Manager that must be completed or corrected before certificate will be issued.
1. Reinspection: Request reinspection when the Work identified in previous inspections as incomplete is completed or corrected.
 2. Results of completed inspection will form the basis of requirements for final completion.

1.4 FINAL COMPLETION PROCEDURES

- A. Submittals Prior to Final Completion: Before requesting final inspection for determining final completion, complete the following:
1. Submit a final Application for Payment according to Division 01 Section "Payment Procedures."
 2. Certified List of Incomplete Items: Submit certified copy of Construction Manager's Substantial Completion inspection list of items to be completed or corrected (punch list), endorsed and dated by Construction Manager. Certified copy of the list shall state that each item has been completed or otherwise resolved for acceptance.
 3. Certificate of Insurance: Submit evidence of final, continuing insurance coverage complying with insurance requirements.
 4. Submit final releases of lien from all subcontractors and suppliers.
- B. Inspection: Submit a written request for final inspection for acceptance. On receipt of request, Construction Manager will either proceed with inspection or notify Contractor of unfulfilled requirements. Final payment will only be made after ALL unconditional release of liens from all subcontractors and suppliers are received by the City.
1. Reinspection: Request reinspection when the Work identified in previous inspections as incomplete is completed or corrected.

1.5 LIST OF INCOMPLETE ITEMS (PUNCH LIST)

- A. Organization of List: Submit three copies of list. Include name and identification of each space and area affected by construction operations for incomplete items and items needing correction including, if necessary, areas disturbed by Contractor that are outside the limits of construction.
1. Include the following information at the top of each page:

- a. Project number and name.
 - b. Date.
 - c. Name of Construction Manager.
 - d. Name of Contractor.
 - e. Page number.
2. Submit list of incomplete items in the following format:
- a. MS Excel electronic file. Construction Manager will return annotated file.
 - b. PDF electronic file. Construction Manager will return annotated file.
 - c. Three paper copies. Construction Manager will return two copies.

1.6 SUBMITTAL OF PROJECT WARRANTIES

- A. Time of Submittal: Submit written warranties for designated portions of the Work where commencement of warranties other than date of Substantial Completion is indicated, or when delay in submittal of warranties might limit Owner's rights under warranty.
- B. Organize warranty documents into an orderly sequence based on the table of contents of Project Manual.
- C. Provide additional copies of each warranty to include in operation and maintenance manuals.

PART 2 - PRODUCTS

2.1 MATERIALS

- A. Cleaning Agents: Use cleaning materials and agents recommended by manufacturer or fabricator of the surface to be cleaned. Do not use cleaning agents that are potentially hazardous to health or property or that might damage finished surfaces.

PART 3 - EXECUTION

3.1 FINAL CLEANING

- A. General: Provide final cleaning. Conduct cleaning and waste-removal operations to comply with local laws and ordinances and Federal and local environmental and antipollution regulations.
 1. Complete the following cleaning operations before requesting inspection for certification of Substantial Completion for entire Project or for a portion of Project:
 - a. Clean Project site, yard, and grounds, in areas disturbed by construction activities, including landscape development areas, of rubbish, waste material, litter, and other foreign substances.
 - b. Sweep paved areas broom clean. Remove petrochemical spills, stains, and other foreign deposits.
 - c. Rake grounds that are neither planted nor paved to a smooth, even-textured surface.
 - d. Remove tools, construction equipment, machinery, and surplus material from Project site.
 - e. Clean exposed exterior and interior hard-surfaced finishes to a dirt-free condition, free of stains, films, and similar foreign substances. Avoid disturbing natural weathering of exterior surfaces. Restore reflective surfaces to their original

condition.

- f. Sweep concrete floors broom clean in unoccupied spaces.
- g. Remove labels that are not permanent.

- B. Construction Waste Disposal: Comply with waste disposal requirements in Division 01 Section "Construction Waste Management and Disposal."

3.2 REPAIR OF THE WORK

- A. Complete repair and restoration operations before requesting inspection for determination of Substantial Completion.
- B. Repair or remove and replace defective construction. Repairing includes replacing defective parts, refinishing damaged surfaces, touching up with matching materials, and properly adjusting operating equipment. Where damaged or worn items cannot be repaired or restored, provide replacements. Remove and replace operating components that cannot be repaired. Restore damaged construction and permanent facilities used during construction to specified condition.
 - 1. Remove and replace chipped, scratched, or broken reflective surfaces, and other damaged materials.
 - 2. Touch up and otherwise repair and restore marred or exposed finishes and surfaces. Replace finishes and surfaces that already show evidence of repair or restoration.

END OF SECTION 017700

SECTION 017839 - PROJECT RECORD DOCUMENTS**PART 1 - GENERAL****1.1 RELATED DOCUMENTS**

- A. Drawings and general provisions of the Contract, including General and Supplementary Conditions and other Division 01 Specification Sections, apply to this Section.

1.2 SUMMARY

- A. This Section includes administrative and procedural requirements for Project Record Documents, including the following:
 - 1. Record Drawings.
 - 2. Record Product Data.
 - 3. Miscellaneous record submittals
- B. Related Sections include the following:
 - 1. Division 01 Section "Closeout Procedures" for general closeout procedures.
 - 2. Divisions 02 through 33 Sections for specific requirements for project record documents of the Work in those Sections.

1.3 CLOSEOUT SUBMITTALS

- A. Record Drawings: Comply with the following:
 - 1. Number of Copies: Submit 2 set(s) of marked-up record prints.

PART 2 - PRODUCTS**2.1 RECORD DRAWINGS**

- A. Record Prints: Maintain one set of marked-up paper copies of the Contract Drawings and Shop Drawings, incorporating new and revised drawings as modifications are issued.
 - 1. Preparation: Mark record prints to show the actual installation where installation varies from that shown originally. Require individual or entity who obtained record data, whether individual or entity is Installer, subcontractor, or similar entity, to provide information for preparation of corresponding marked-up record prints.
 - a. Give particular attention to information on concealed elements that would be difficult to identify or measure and record later.
 - b. Accurately record information in an acceptable drawing technique.
 - c. Record data as soon as possible after obtaining it.
 - d. Record and check the markup before enclosing concealed installations.
 - e. Cross-reference record prints to corresponding archive photographic

documentation.

2. Content: Types of items requiring marking include, but are not limited to, the following:
 - a. Dimensional changes to Drawings.
 - b. Revisions to details shown on Drawings.
 - c. Depths of foundations.
 - d. Locations and depths of underground utilities.
 - e. Revisions to routing of piping and conduits.
 - f. Changes made by Change Order or Construction Change Directive.
 - g. Changes made following Project Manager's written orders.
 - h. Details not on the original Contract Drawings.
 - i. Field records for variable and concealed conditions.
 - j. Record information on the Work that is shown only schematically.
3. Mark the Contract Drawings and Shop Drawings completely and accurately. Use personnel proficient at recording graphic information in production of marked-up record prints.
4. Mark record sets with erasable, red-colored pencil. Use other colors to distinguish between changes for different categories of the Work at same location.
5. Mark important additional information that was either shown schematically or omitted from original Drawings.
6. Note Construction Change Directive numbers, alternate numbers, Change Order numbers, and similar identification, where applicable.

2.2 RECORD PRODUCT DATA

- A. Preparation: Mark Product Data to indicate the actual product installation where installation varies substantially from that indicated in Product Data submittal.
 1. Give particular attention to information on concealed products and installations that cannot be readily identified and recorded later.
 2. Include significant changes in the product delivered to Project site and changes in manufacturer's written instructions for installation.
 3. Note related Change Orders and record Drawings where applicable.
- B. Format: Submit record Product Data as annotated PDF electronic file.

PART 3 - EXECUTION

3.1 RECORDING AND MAINTENANCE

- A. Recording: Maintain one copy of each submittal during the construction period for Project Record Document purposes. Post changes and modifications to Project Record Documents as they occur; do not wait until the end of Project.
- B. Maintenance of Record Documents and Samples: Store Record Documents and Samples in the field office apart from the Contract Documents used for construction.

Do not use Project Record Documents for construction purposes. Maintain Record Documents in good order and in a clean, dry, legible condition, protected from deterioration and loss. Provide access to Project Record Documents for Project Manager's reference during normal working hours.

- C. Final pay request will not be processed until Record Documents have been completed and submitted to the City.

END OF SECTION 017839



Public Works Department

Construction Sign Request Form

To request a new outdoor construction sign, complete this form and email to Shannon Vezina in Strategic Communications at svezina@fortlauderdale.gov. Please allow at least two business days to receive a draft sign.

	Example	Project Info
Project Number:	P11484	Click here to enter text.
Project Title:	Progresso Neighborhood Improvement Project	Click here to enter text.
Project Overview:	The City of Fort Lauderdale is making numerous improvements throughout the Progresso neighborhood to enhance safety and access for our neighbors.	Click here to enter text.
Planned Improvements:	New sidewalks Relocating fences Reconstructing swales	Click here to enter text.
Project Area:	NW 1 st , 2 nd , 4 th Avenues between Sistrunk and Sunrise Boulevards	Click here to enter text.
Traffic Impact (lane or street closure):	Temp lane closure on NE 4 th Ave at 8 th Court	Click here to enter text.
Vision Goal Supported:	Select one from drop down menu.	Choose an item.
Physical Construction Start Date on Site:	January 25, 2018	Click here to enter text.
Expected completion:	Summer 2018	Click here to enter text.
Cost:	\$848,368	Click here to enter text.
Contractor:	ASP LLC	Click here to enter text.
Contractor Phone:	954-828-8000	Click here to enter text.

SECTION 033053 - MISCELLANEOUS CAST-IN-PLACE CONCRETE**PART 1 - GENERAL****1.1 SUMMARY**

- A. Section includes cast-in-place concrete, including reinforcement, concrete materials, mixture design, placement procedures, and finishes.

1.2 SUBMITTALS

- A. Product Data: For each type of product indicated.
- B. Other Action Submittal:
 - 1. Design Mixtures: For each concrete mixture.

1.3 QUALITY ASSURANCE

- A. Ready-Mix-Concrete Manufacturer Qualifications: A firm experienced in manufacturing ready-mixed concrete products and that complies with ASTM C 94/C 94M requirements for production facilities and equipment.
- B. Comply with **ACI 301 (ACI 301M)**.
- C. Comply with ACI 117, "Specifications for Tolerances for Concrete Construction and Materials."

PART 2 - PRODUCTS**2.1 FORMWORK**

- A. Furnish formwork and formwork accessories according to **ACI 301 (ACI 301M)**.

2.2 STEEL REINFORCEMENT

- A. Reinforcing Bars: ASTM A 615/A 615M, **Grade 60 (Grade 420)**, deformed.

2.3 CONCRETE MATERIALS

- A. Cementitious Material: Use the following cementitious materials, of the same type, brand, and source throughout Project:
 - 1. Portland Cement: ASTM C 150, Type I.

- B. Normal-Weight Aggregate: ASTM C 33, graded, **1-1/2-inch (38-mm)** nominal maximum aggregate size.
- C. Water: ASTM C 94/C 94M.

2.4 ADMIXTURES

- A. Air-Entraining Admixture: ASTM C 260.
- B. Chemical Admixtures: Provide admixtures certified by manufacturer to be compatible with other admixtures and that will not contribute water-soluble chloride ions exceeding those permitted in hardened concrete. Do not use calcium chloride or admixtures containing calcium chloride.
 - 1. Water-Reducing Admixture: ASTM C 494/C 494M, Type A.
 - 2. Retarding Admixture: ASTM C 494/C 494M, Type B.
 - 3. Water-Reducing and Retarding Admixture: ASTM C 494/C 494M, Type D.

2.5 RELATED MATERIALS

- A. Vapor Retarder: Polyethylene sheet, ASTM D 4397, not less than **10 mils (0.25 mm)** thick; or plastic sheet, ASTM E 1745, Class C.

2.6 CURING MATERIALS

- A. Absorptive Cover: AASHTO M 182, Class 3, burlap cloth or cotton mats.
- B. Moisture-Retaining Cover: ASTM C 171, polyethylene film or white burlap-polyethylene sheet.
- C. Water: Potable.

2.7 CONCRETE MIXTURES

- A. Normal-Weight Concrete: Prepare design mixes, proportioned according to **ACI 301 (ACI 301M)**, as follows:
 - 1. Minimum Compressive Strength: **3000 psi (20.7 MPa)** at 28 days.
 - 2. Maximum Water-Cementitious Materials Ratio: 0.50.
 - 3. Slump Limit: **5 inches (125 mm)**, plus or minus **1 inch (25 mm)**.

2.8 CONCRETE MIXING

- A. Ready-Mixed Concrete: Measure, batch, mix, and deliver concrete according to ASTM C 94/C 94M, and furnish batch ticket information.
 - 1. When air temperature is above **90 deg F (32 deg C)**, reduce mixing and delivery time to 60 minutes.

PART 3 - EXECUTION**3.1 FORMWORK**

- A. Design, construct, erect, brace, and maintain formwork according to **ACI 301 (ACI 301M)**.

3.2 EMBEDDED ITEMS

- A. Place and secure anchorage devices and other embedded items required for adjoining work attached to or supported by cast-in-place concrete. Use setting drawings, templates, diagrams, instructions, and directions furnished with items to be embedded.

3.3 VAPOR RETARDERS

- A. Install, protect, and repair vapor retarders according to ASTM E 1643; place sheets in position with longest dimension parallel with direction of pour.
 - 1. Lap joints **6 inches (150 mm)** and seal with manufacturer's recommended adhesive or joint tape.

3.4 STEEL REINFORCEMENT

- A. Comply with CRSI's "Manual of Standard Practice" for fabricating, placing, and supporting reinforcement.
 - 1. Do not cut or puncture vapor retarder. Repair damage and reseal vapor retarder before placing concrete.

3.5 JOINTS

- A. General: Construct joints true to line with faces perpendicular to surface plane of concrete.
- B. Isolation Joints: Install joint-filler strips at junctions with slabs-on-grade and vertical surfaces, such as column pedestals, foundation walls, grade beams, and other locations, as indicated.
 - 1. Extend joint fillers full width and depth of joint, terminating flush with finished concrete surface, unless otherwise indicated.

3.6 CONCRETE PLACEMENT

- A. Comply with **ACI 301 (ACI 301M)** for placing concrete.
- B. Before test sampling and placing concrete, water may be added at Project site, subject to limitations of **ACI 301 (ACI 301M)**.
- C. Do not add water to concrete during delivery, at Project site, or during placement.

- D. Consolidate concrete with mechanical vibrating equipment.

3.7 FINISHING FORMED SURFACES

- A. Rough-Formed Finish: As-cast concrete texture imparted by form-facing material with tie holes and defective areas repaired and patched. Remove fins and other projections exceeding **1/2 inch (13 mm)**.

3.8 CONCRETE PROTECTING AND CURING

- A. General: Protect freshly placed concrete from premature drying and excessive cold or hot temperatures. Comply with ACI 306.1 for cold-weather protection and with **ACI 301 (ACI 301M)** for hot-weather protection during curing.
- B. Evaporation Retarder: Apply evaporation retarder to concrete surfaces if hot, dry, or windy conditions cause moisture loss approaching **0.2 lb/sq. ft. x h (1 kg/sq. m x h)** before and during finishing operations. Apply according to manufacturer's written instructions after placing, screeding, and bull floating or darbying concrete, but before float finishing.
- C. Begin curing after finishing concrete but not before free water has disappeared from concrete surface.
- D. Curing Methods: Cure formed and unformed concrete for at least seven days by one or a combination of the following methods:
 - 1. Moisture Curing: Keep surfaces continuously moist for not less than seven days with the following materials:
 - a. Water.
 - b. Continuous water-fog spray.
 - c. Absorptive cover, water saturated and kept continuously wet. Cover concrete surfaces and edges with **12-inch (300-mm)** lap over adjacent absorptive covers.
 - 2. Moisture-Retaining-Cover Curing: Cover concrete surfaces with moisture-retaining cover for curing concrete, placed in widest practicable width, with sides and ends lapped at least **12 inches (300 mm)**, and sealed by waterproof tape or adhesive. Cure for not less than seven days. Immediately repair any holes or tears during curing period using cover material and waterproof tape.
 - 3. Curing Compound: Apply uniformly in continuous operation by power spray or roller according to manufacturer's written instructions. Recoat areas subjected to heavy rainfall within three hours after initial application. Maintain continuity of coating and repair damage during curing period.
 - 4. Curing and Sealing Compound: Apply uniformly to floors and slabs indicated in a continuous operation by power spray or roller according to manufacturer's written instructions. Recoat areas subjected to heavy rainfall within three hours after initial application. Repeat process 24 hours later and apply a second coat. Maintain continuity of coating and repair damage during curing period.

3.9 FIELD QUALITY CONTROL

- A. Testing Agency: Owner will engage a qualified testing agency to perform tests and inspections.
- B. Tests: Perform according to **ACI 301 (ACI 301M)**.
 - 1. Testing Frequency: One composite sample shall be obtained for each day's pour of each concrete mix less than **25 cu. yd. (19 cu. m)**, plus one set for each additional **50 cu. yd. (38 cu. m)** or fraction thereof.
 - 2. Testing Frequency: One composite sample shall be obtained for each **100 cu. yd. (76 cu. m)** or fraction thereof of each concrete mix placed each day.

3.10 REPAIRS

- A. Remove and replace concrete that does not comply with requirements in this Section.

END OF SECTION 033053

SECTION 027100 - LIMEROCK BASE**PART 1 GENERAL**

1.01 DEFINITIONS

- A. Completed Course: Compacted, unyielding, free from irregularities, with smooth, tight, even surface, true to grade, line, and cross section.
- B. Completed Lift: Compacted with uniform surface reasonably true to cross-section.

PART 2 PRODUCTS

2.01 LIMEROCK BASE ROCK

- A. The material used in limerock base shall be material classified as Miami Oolite Formation.
- B. The minimum of carbonates of calcium and magnesium in the limerock shall be 70 percent. The maximum percentage of water-sensitive clay material shall be 3.
- C. Limerock material shall be uniform in color and not contain cherty or other extremely hard pieces, or lumps, balls, or pockets of sand or clay size material in sufficient quantities as to be detrimental to the proper bonding, finishing, or strength of the limerock base.
- D. The limerock base shall be uniformly graded from coarse to fine with 97 percent passing a 3-1/2-inch sieve, 80 percent passing a 2-inch sieve. The fine material shall consist entirely of dust of fracture. All crushing or breaking up, which might be necessary in order to meet such size requirements, shall be done before the material is placed on the road.
- E. Physical Qualities:
 - 1. Liquid Limit, AASHTO T89: Maximum 35 percent.
 - 2. Nonplastic.
 - 3. Limerock material shall have an average limerock bearing ratio (LBR) value of not less than 100.

2.02 SOURCE QUALITY CONTROL

- A. Contractor: Perform tests necessary to locate acceptable source of materials meeting specified requirements.
- B. Final approval of aggregate material will be based on materials' test results on installed materials.

- C. Should separation of coarse from fine materials occur during processing or stockpiling, immediately change methods of handling materials to correct uniformity in grading.

PART 3 EXECUTION

3.01 SUBGRADE PREPARATION

- A. As specified in Section 02319, Subgrade Preparation.
- B. Obtain Engineer's acceptance of subgrade before placement of limerock base rock.
- C. Do not place base materials on soft, muddy subgrade.

3.02 EQUIPMENT

- A. Use mechanical rock spreaders, equipped with a device that strikes off the rock uniformly to laying thickness, capable of producing even distribution. For areas where the use of a mechanical spreader is not practicable, the Contractor may spread the rock using bulldozers or blade graders.

3.03 HAULING AND SPREADING

- A. Hauling Materials:
 - 1. The limerock shall be transported to the point where it is to be used and dumped on the end of the preceding spread.
 - 2. Do not haul over surfacing in process of construction.
 - 3. Loads: Of uniform capacity.
 - 4. Maintain consistent gradation of material delivered; loads of widely varying gradations will be cause for rejection.
- B. Spreading Materials:
 - 1. Distribute material to provide required density, depth, grade and dimensions with allowance for subsequent lifts.
 - 2. Produce even distribution of material upon roadway without segregation.
 - 3. Should segregation of coarse from fine materials occur during placing, immediately change methods of handling materials to correct uniformity in grading.

3.04 CONSTRUCTION OF COURSES

- A. General: Complete each lift in advance of laying succeeding lift to provide required results and adequate inspection.
- B. Limerock Base:
 - 1. Maximum Completed Lift Thickness: 6 inches or equal thickness.
 - 2. Completed Course Total Thickness: As shown.
 - 3. Spread lift on preceding course to required cross-section.

4. Lightly blade and roll surface until thoroughly compacted.
5. Blade or broom surface to maintain true line, grade, and cross-section.

C. Gravel Surfacing:

1. Maximum Completed Lift Thickness: 6 inches or equal thickness.
2. Completed Course Total Thickness: As shown.
3. Spread on preceding course in accordance with cross-section shown.
4. Blade lightly and roll surface until material is thoroughly compacted.

3.05 ROLLING AND COMPACTION

- A. Commence compaction of each layer of base after spreading operations and continue until density of 98 percent of maximum density has been achieved as determined by AASHTO T 180.
- B. Roll each course of surfacing until material shall not creep under roller before succeeding course of surfacing material is applied.
- C. Commence rolling at outer edges of surfacing and continue toward center; do not roll center of road first.
- D. When the material does not have the proper moisture content to ensure the required density, wet or dry, as required. When adding water, uniformly mix it in by disking to the full depth of the course that is being compacted. During wetting or drying operations, manipulate as a unit, the entire width and depth of the course that is being compacted.
- E. Place and compact each lift to required density before succeeding lift is placed.
- F. Bind up preceding course before placing leveling course. Remove floating or loose stone from surface.
- G. Blade or otherwise work surfacing as necessary to maintain grade and cross-section at all times, and to keep surface smooth and thoroughly compacted.
- H. Surface Defects: Remedy surface defects by loosening and rerolling. Reroll entire area, including surrounding surface, until thoroughly compacted.
 1. Finished Surface: True to grade and crown before proceeding with surfacing.

3.06 SURFACE TOLERANCES

- A. Finished Surface of Base Course and Leveling Course: Within plus or minus 0.04-foot of grade shown at any individual point.
- B. Compacted Surface of Leveling Course: Within 0.04-foot from lower edge of 10-foot straightedge placed on finished surface, parallel to centerline.
- C. Overall Average: Within plus or minus 0.01-foot from crown and grade specified.

3.07 DRIVEWAY RESURFACING

- A. Replace gravel surfacing on driveways which were gravel surfaced prior to construction.
- B. Provide compacted gravel surfacing to depth equal to original, but not less than 4 inches.
- C. Leave each driveway in as good or better condition as it was before start of construction.

3.08 FIELD QUALITY CONTROL

- A. In-Place Density Tests:
 - 1. Construct base course so areas shall be ready for testing.
 - 2. Allow reasonable length of time for Testing Firm to perform tests and obtain results during normal working hours.

3.09 CLEANING

- A. Remove excess material; clean stockpile areas of aggregate.

END OF SECTION

SECTION 321216 - ASPHALT PAVING**PART 1 GENERAL**

1.01 STANDARD SPECIFICATIONS

- A. When referenced in this Section shall mean Florida Department of Transportation, Standard Specifications for Road and Bridge Construction, current edition.

1.02 QUALITY ASSURANCE

A. Qualifications:

- 1. Independent Testing Laboratory: In accordance with ASTM E329.
- 2. Asphalt concrete mix formula shall be prepared by an approved certified independent laboratory under the supervision of a certified asphalt technician.

1.03 ENVIRONMENTAL REQUIREMENTS

- A. Temperature: Do not apply asphalt materials or place asphalt mixes when ground temperature is lower than 10 degrees C (50 degrees F), or air temperature is lower than 4 degrees C (40 degrees F). Measure ground and air temperature in shaded areas away from heat sources or wet surfaces.
- B. Moisture: Do not apply asphalt materials or place asphalt mixes when application surface is wet.

PART 2 PRODUCTS

2.01 MATERIALS

- A. Prime Coat: Cut-back asphalt, Grades RC-70 or RC-250 meeting the requirements of Section 916-2 of the Standard Specifications.
- B. Tack Coat: Emulsified asphalt, Grade RS-2, SS-1, or SS-1H meeting the requirements of Section 916-4 of the Standard Specifications. The bituminous material shall be heated to a suitable consistency as directed by the Project Manager.
- C. Sand (Blotter Material): Clean, dry, with 100 percent passing a 4.75 mm (No. 4) sieve, and a maximum of 10 percent passing a 75 mm (No. 200) sieve.

2.02 ASPHALT CONCRETE MIX

A. General:

- 1. Mix formula shall not be modified except with the written approval of Project Manager.

2. Source Changes:
 - a. Should material source(s) change, establish a new asphalt concrete mix formula before the new material(s) is used.
 - b. Perform check tests of properties of the plant-mix bituminous materials on the first day of production and as requested by Project Manager to confirm that properties are in compliance with design criteria.
 - c. Make adjustments in gradation or asphalt content as necessary to meet design criteria.
- B. Asphalt Concrete: FDOT SP-9.5 (coarse or fine) and FC-9.5 or 12.5 meeting the requirements in Section 334 of the Standard Specifications.
- C. Composition: Hot-plant mix of aggregate, mineral filler, and paving grade asphalt cement. The several aggregate fractions shall be sized, uniformly graded, and combined in such proportions that the resulting mixture meets the grading requirements of the mix formula.
- D. Aggregate:
 1. The aggregate shall meet the requirements in Section 334 of the Standard Specifications.
 - a. Mineral Filler shall meet the requirements of Section 917 of the Standard Specifications
- E. Asphalt Cement: Paving Grade AC-30 meeting the requirements of Section 916 of the Standard Specifications.

PART 3 EXECUTION

3.01 GENERAL

- A. Traffic Control: Minimize inconvenience to traffic, but keep vehicles off freshly treated or paved surfaces to avoid pickup and tracking of asphalt.
- B. Driveways: Repave driveways from which pavement was removed. Leave driveways in as good or better condition than before start of construction.

3.02 LINE AND GRADE

- A. Provide and maintain intermediate control of line and grade, independent of the underlying base to meet finish surface grades and minimum thickness.
- B. Shoulders: Construct to line, grade, and cross-section shown.

3.03 PREPARATION

- A. Prepare subgrade as specified in Section 02319, Subgrade Preparation.
- B. Existing Roadway:

1. Modify profile by grinding, milling, or overlay methods as approved, to provide meet lines and surfaces and to produce a smooth riding connection to existing facility.
 2. Resurface entire roadway following adjustment of base and asphalt grades.
 3. Paint edges of meet line with tack coat prior to placing new pavement.
- C. Thoroughly coat edges of contact surfaces (curbs, manhole frames) with emulsified asphalt or asphalt cement prior to laying new pavement. Prevent staining of adjacent surfaces.

3.04 PAVEMENT APPLICATION

- A. General: Place asphalt concrete mixture on an approved, prepared base in conformance with this Section.
- B. Prime Coat:
1. Heat cut-back asphalt between 100 degrees F and 150 degrees F prior to application.
 2. Apply uniformly to clean, dry surfaces. Avoiding overlapping of applications.
 3. Do not apply when moisture content of upper 3 inches of base exceeds optimum moisture content of base, or if free moisture is present.
 4. Application Rate: Minimum 0.1 gallons per square yard of surface area.
 5. Remove or redistribute excess material.
 6. Allow a minimum of 5 full days for curing of primed surface before placing asphalt concrete.
- C. Tack Coat:
1. Apply uniformly to clean, dry surfaces. Avoiding overlapping of applications.
 2. Do not apply more tack coat than necessary for the day's paving operation.
 3. Touch up missed or lightly coated surfaces and remove excess material.
 4. Application Rate:
 - a. Minimum 0.05 gallons to maximum 0.12 gallons of asphalt (residual if diluted emulsified asphalt) per square yard of surface area.
 - b. Apply at rate, within range specified, sufficient to assure good bonding, but not so heavy that surplus asphalt flushes into asphalt concrete being placed.
- D. Pavement Mix:
1. Prior to Paving:
 - a. Sweep primed surface free of dirt, dust, or other foreign matter.
 - b. Patch holes in primed surface with asphalt concrete pavement mix.
 - c. Blot excess prime material with sand.
 2. Place asphalt concrete pavement mix in lifts as shown.
 3. Compacted Lift Thickness:

- a. Minimum: Twice the maximum aggregate size, but in no case less than 3/4 inch. Minimum thickness for Type S-111 and SP-9.5 is 1.5 inches.
- b. Maximum: 4 inches.
4. Total Compacted Thickness: As shown.
5. Apply such that meet lines are straight and edges are vertical.
6. Collect and dispose of segregated aggregate from raking process. Do not scatter material over finished surface.
7. Joints:
 - a. Offset edge of each layer a minimum of 6 inches so joints are not directly over those in underlying layer.
 - b. Offset longitudinal joints in roadway pavements, so longitudinal joints in wearing layer coincide with pavement centerlines and lane divider lines.
 - c. Form transverse joints by cutting back on previous day's run to expose full vertical depth of layer.
8. Succeeding Lifts: Apply tack coat to pavement surface between each lift.
9. After placement of pavement, seal meet line by painting a minimum of 6 inches on each side of the joint with cut-back or emulsified asphalt. Cover immediately with sand.

E. Compaction:

1. Roll until roller marks are eliminated and compacted to 100 percent of the laboratory compacted mixture.
2. Joint Compaction:
 - a. Place top or wearing layer as continuously as possible.
 - b. Pass roller over unprotected end of freshly laid mixture only when placing of mix is discontinued long enough to permit mixture to become chilled.
 - c. Cut back previously compacted mixture when Work is resumed to produce a slightly beveled edge for full thickness of layer.
 - d. Cut away waste material and lay new mix against fresh cut.

F. Tolerances:

1. General: Conduct measurements for conformity with crown and grade immediately after initial compression. Correct variations immediately by removal or addition of materials and by continuous rolling.
2. Completed Surface or Wearing Layer Smoothness:
 - a. Uniform texture, smooth, and uniform to crown and grade.
 - b. Maximum Deviation: 1/8 inch from lower edge of a 12-foot straightedge, measured continuously parallel and at right angle to centerline.
 - c. If surface of completed pavement deviates by more than twice the specified tolerances, remove and replace wearing surface.
3. Transverse Slope Maximum Deviation: 1/4 inch in 12 feet from the rate of slope shown.
4. Finished Grade:
 - a. Perform a field differential level survey on a maximum 50-foot grid and along all grade breaks.
 - b. Maximum Deviation: 0.02 foot from the grade shown.

G. Seal Coat:

1. General: Apply seal coat of paving grade or emulsified asphalt to finished surface at longitudinal and transverse joints, joints at abutting pavements, areas where the asphalt concrete was placed by hand, patched surfaces, and other areas as directed by the Project Manager.
2. Preparation:
 - a. Maintain surfaces that are to be sealed free of holes, dry, and clean of dust and loose material.
 - b. Seal in dry weather and when the temperature is above 35 degrees F.
3. Application:
 - a. Fill cracks over 1/16 inch in width with an asphalt-sand slurry or approved crack sealer prior to sealing.
 - b. When sealing patched surfaces and joints with existing pavements, extend minimum 6 inches beyond edges of patches.

3.05 PATCHING

A. Preparation:

1. Remove damaged, broken, or unsound asphalt concrete adjacent to patches. Trim to straight lines exposing smooth, sound, vertical edges.
2. Prepare patch subgrade as specified in Section 02319, Subgrade Preparation.

B. Application:

1. Patch Thickness: 3 inches or thickness of adjacent asphalt concrete, whichever is greater.
2. Place asphalt concrete mix across full width of patch in layers of equal thickness.
3. Spread and grade asphalt concrete with hand tools or mechanical spreader, depending on size of area to be patched.

C. Compaction:

1. Roll patches with power rollers capable of providing compression of 200 to 300 pounds per linear inch. Use hand tampers where rolling is impractical.
2. Begin rolling top course at edges of patches, lapping adjacent asphalt surface at least 1/2 the roller width. Progress toward center of patch overlapping each preceding track by at least 1/2 the width of roller.
3. Make sufficient passes over entire area to remove roller marks and to produce desired finished surface.

D. Tolerances:

1. Finished surface shall be flush with and match grade, slope, and crown of adjacent surface.
2. Tolerance: Surface smoothness shall not deviate more than plus 1/4 inch or minus 0 when a straightedge is laid across patched area between edges of new pavement and surface of old surfacing.

3.06 FIELD QUALITY CONTROL

- A. General: Provide services of an approved certified independent testing laboratory to conduct tests.
- B. Field Density Tests:
 - 1. Perform tests from cores or sawed samples.
 - 2. Measure with properly operating and calibrated nuclear density gauge.
 - 3. Maximum Density: In accordance with ASTM D2041, using a sample of mix taken prior to compaction from the same location as the density test sample.
- C. Testing Frequency:
 - 1. Quality Control Tests:
 - a. Asphalt Content, Aggregate Gradation: Once per every 500 tons of mix or once every 4 hours, whichever is greater.
 - b. Mix Design Properties, Measured Maximum (Rice's) Specific Gravity: Once every 1,000 tons or once every 8 hours, whichever is greater.
 - 2. Density Tests: Once every 500 tons of mix or once every 4 hours, whichever is greater.

END OF SECTION

SECTION 321313- CONCRETE CURBS AND SIDEWALKS**PART 1 GENERAL (NOT USED)****PART 2 PRODUCTS**

2.01 EXPANSION JOINT FILLER

- A. 1/2-inch thick, preformed asphalt-impregnated, expansion joint material meeting AASHTO M153 Type I, II, or III, or AASHTO M213, or cellulose fiber types meeting the requirements of AASHTO M213, except the asphalt content is acceptable provided they contain minimum of 0.2 percent copper pentachlorophenate as a preservative and 1 percent water proofing wax.

2.02 CONCRETE

- A. Ready-mixed meeting ASTM C94, Option A, with compressive strength of 3,000 psi at 28 days.
- B. Maximum Aggregate Size: 1-1/2 inch.
- C. Slump: 2 to 4 inches.

2.03 CURING COMPOUND

- A. Liquid membrane-forming, clear or translucent, suitable for spray application and meeting ASTM C309, Type 1.

PART 3 EXECUTION

3.01 FORMWORK

- A. Lumber Materials:
 - 1. 2-inch dressed dimension lumber, or metal of equal strength, straight, free from defects that would impair appearance or structural quality of completed curb and sidewalk.
 - 2. 1-inch dressed lumber or plywood may be used where short-radius forms are required.
- B. Metals: Steel in new undamaged condition.
- C. Setting Forms:
 - 1. Construct forms to shape, lines, grades, and dimensions.
 - 2. Stake securely in place.
- D. Bracing:
 - 1. Brace forms to prevent change of shape or movement resulting from placement.

2. Construct short-radius curved forms to exact radius.

E. Tolerances:

1. Do not vary tops of forms from gradeline more than 1/8 inch when checked with 10-foot straightedge.
2. Do not vary alignment of straight sections more than 1/8 inch in 10 feet.

3.02 PLACING CONCRETE

- A. Prior to placing concrete, remove water from excavation and debris and foreign material from forms.
- B. Place concrete as soon as possible, and within 1-1/2 hours after adding cement to mix without segregation or loss of ingredients, and without splashing.
- C. Place, process, finish, and cure concrete in accordance with applicable requirements of ACI 304, and this section. Wherever requirements differ, the more stringent shall govern.
- D. To compact, vibrate until concrete becomes uniformly plastic.
- E. All edges shall be smooth and rounded.

3.03 SIDEWALK CONSTRUCTION

- A. Thickness:
 1. 6 inches in all areas, unless otherwise shown on design drawings.
- B. Connection to Existing Sidewalk:
 1. Remove old concrete back to an existing contraction joint.
 2. Clean the surface.
 3. Apply a neat cement paste immediately prior to placing new sidewalk.
- C. Expansion Joints: Place at maximum 20-foot intervals, at adjacent curb expansion joint, where sidewalk ends at curb, and around posts, poles, or other objects penetrating sidewalk. Install expansion joint filler at each joint.
- D. Contraction Joints:
 1. Provide transversely to walks at locations opposite contraction joints in curb.
 2. Dimensions: 3/16-inch by 1-inch weakened plane joints.
 3. Construct straight and at right angles to surface of walk.
- E. Finish:
 1. Broom surface with fine-hair broom at right angles to length of walk and tool at edges, joints, and markings.

2. Ensure that the surface variations are not more than $\frac{1}{4}$ inch under a 10-foot straightedge, or more than $\frac{1}{8}$ inch on a 5-foot transverse section.
3. Mark walks transversely at 5-foot intervals, or in pattern shown on Drawings, with jointing tool; finish edges with rounded steel edging tool.
4. Apply curing compound to exposed surfaces upon completion of finishing.
5. Protect sidewalk from damage and allow to cure for at least 7 days.

END OF SECTION

SECTION 321723 - PAVEMENT MARKING**PART 1 GENERAL**

1.01 STANDARD SPECIFICATIONS

- A. When referenced in this section, shall mean Florida Department of Transportation, Standard Specifications for Road and Bridge Construction, current edition.

1.02 DELIVER, STORAGE, AND PROTECTION

- A. Packaging and Labeling: All coatings and traffic marking materials shall be shipped in strong containers plainly marked with the weight in pounds per gallon, the volume of coatings and traffic marking materials content in gallons, the color, user information, date of manufacture, LOT, batch and DOT code number. Each batch manufactured shall have a unique number. A true statement of the percentage composition of the pigment, the proportion of pigment to vehicle, and the name and address of the manufacturer, also shall be shown. The label shall warn the user of any special handling or precautions of the material, as recommended by the manufacturer. Any package not so marked will not be accepted for use under these Specifications.
- B. Storage: Any coatings and traffic marking materials which, although inspected and approved at the point of manufacture, hardens or livers in the containers so that it cannot be readily broken up with a paddle to a smooth, uniform painting consistency, will be rejected. All materials shall have a container storage life of one year from date of manufacture. Any coatings and traffic marking materials not acceptable for proper application will be rejected, even though it conforms to these Specifications in all other respects.
- C. Mixing: All paints except aluminum shall be delivered to the project completely mixed, and ready to be used without additional oil or thinner. Gasoline shall not be used for thinner under any circumstances.

PART 2 PRODUCTS

2.01 PAINT

- A. Color: White, yellow, or blue traffic paint meeting the requirements of Section 971 of the Standard Specifications.
- B. Homogeneous, easily stirred to smooth consistency, with no hard settlement or other objectionable characteristics during a storage period of 6 months.

2.02 THERMOPLASTIC STRIPING

- A. White or yellow thermoplastic striping material meeting the requirements of Section 971-17 of the Standard Specifications.

2.03 RAISED REFLECTIVE MARKERS

- A. Metallic or nonmetallic, or prismatic reflector type, of permanent colors retaining color and brightness under action of traffic.
- B. Rounded surfaces presenting a smooth contour to traffic. The minimum area of each reflective face shall be 2-1/2 inches squared.
- C. Marker and adhesive epoxy in accordance with ASTM D4280
- D. Markers shall meet the requirements of Section 970 (Class B) of the Standard Specifications.

2.04 GLASS SPHERES

- A. Glass spheres shall be of a composition designed to be highly resistant to traffic wear and to the effects of weathering.
- B. In accordance with AASHTO M247, Type I with moisture resistant coating or a formulation specified by the traffic striping material manufacturer and Section 971-14 of the Standard Specifications.

PART 3 EXECUTION**3.01 SURFACE PREPARATION**

- A. Cleaning:
 - 1. Thoroughly clean surfaces to be marked before application of pavement marking material.
 - 2. Remove dust, dirt, and other granular surface deposits by sweeping, blowing with compressed air, rinsing with water or a combination of these methods.
 - 3. Completely remove rubber deposits, surface laitance, existing paint markings, and other coatings adhering to pavement with scrapers, wire brushes, sandblasting, approved chemicals, or mechanical abrasion.
 - 4. Scrub areas of old pavement affected with oil or grease with several applications of trisodium phosphate solution or other approved detergent or degreaser, and rinse thoroughly after each application.
 - 5. Surfaces shall be completely free of dry dirt and ice, and dry of water at the time of application of any of the materials specified herein.
 - 6. Oil-Soaked Areas: After cleaning, seal with cut shellac to prevent bleeding through the new paint.
 - 7. Reclean surfaces when Work has been stopped due to rain.
 - 8. Existing Pavement Markings:
 - a. Remove existing pavement markings that may interfere or conflict with newly applied marking patterns, or that may result in a misleading or confusing traffic pattern.
 - b. Do not apply thermoplastic markings over existing preformed or thermoplastic markings.

- c. Removal of striping shall be done by waterblasting methods, so finished pavement surface is not damaged.
- B. Pretreatment for Early Painting: Where early painting is required on rigid pavements, pretreat with an aqueous solution containing 3 percent phosphoric acid and 2 percent zinc chloride.
- C. New Concrete Pavement:
 1. Allow a minimum cure time of 30 days before cleaning and marking with final thermoplastic striping.
 2. Clean by either sandblasting or water blasting to the following results:
 - a. No visible evidence of curing compound on peaks of textured concrete surface.
 - b. No heavy puddled deposits of curing compound in valleys of textured concrete surface.
 - c. Remaining curing compound is intact, with loose and flaking material completely removed.
 - d. Peaks of textured pavement surface are rounded in profile and free of sharp edges and irregularities.
 3. Allow a minimum drying time of 24 hours after water blasting before applying thermoplastic markings.

3.02 ALIGNMENT FOR MARKINGS

- A. The Contractor shall be responsible for all measurements, reference points and marks, string lining, and any other steps required in establishing pavement marking locations and alignment. On tangents and on curves up to 1 degree, the alignment of the marking shall not deviate from the string line by more than 1 inch. On curves exceeding 1 degree, the maximum permissible deviation shall be 2 inches. All alignment width and location shall conform to the details shown on the Drawings.

3.03 PAINT APPLICATION

- A. General:
 1. Thoroughly mix pigment and vehicle together prior to application, and keep thoroughly agitated during application.
 2. Do not add thinner.
 3. Apply only when air and pavement temperatures are above 40 degrees F and less than 95 degrees F. Maintain paint temperature within these same limits.
 4. Apply only when surface is dry.
 5. Do not apply when conditions are windy to the point of causing overspray or fuzzy line edges.
 6. New Asphalt Pavement: Allow a minimum pavement cure time as recommended by the manufacturer before applying paint.
 7. Provide guide lines and templates to control paint application.
 8. Take special precautions in marking numbers, letters, and symbols.
 9. Sharply outline edges of markings and apply without running or spattering.

- B. Rate of Application:
 - 1. Reflective Markings:
 - a. Paint: Apply evenly, 105 plus or minus 5 square feet per gallon.
 - b. Glass Beads: Apply uniformly, 6 plus or minus 0.5 pounds of glass spheres per gallon of paint.
 - 2. Nonreflective Markings: Apply paint evenly to pavement surface at a rate of 105 plus or minus 5 square feet per gallon.
 - 3. On new pavement or new asphalt surface treatments, apply two coats of paint at a uniform rate of 210 square feet per gallon.
- C. Drying:
 - 1. Provide maximum drying time to prevent undue softening of bitumen and pickup, displacement, or discoloration by traffic.
 - 2. If drying is abnormally slow, discontinue painting operations until cause is determined and corrected.

3.04 THERMOPLASTIC MARKING APPLICATION

- A. Following specified surface preparation, prime and apply marking and glass beads to provide a reflectorized strip as shown on Drawings.
- B. The material shall be applied to the pavement by the extrusion method only, wherein one side of extrusion shaping die is the pavement and the other sides are formed by suitable equipment for heating and controlling the flow of the material.
- C. Application Temperatures:
 - 1. Pavement Surface: Minimum 40 degrees F and rising.
 - 2. Thermoplastic: Minimum 375 degrees F, maximum 425 degrees F.
- D. Primer:
 - 1. On portland cement concrete and existing asphalt pavements, apply epoxy resin primer/sealer according to the thermoplastic manufacturer's recommendations.
 - 2. All primer/sealer to dry prior to applying thermoplastic.
- E. Thermoplastic Marking:
 - 1. Extrude in a molten state, free of dirt or tint. at a thickness of 0.10 to 0.15 inch for lane lines and 0.07 to 0.10 inch for edge or other lines in accordance with FDOT 711-4.3.
 - 2. Apply centerline, skipline, edgeline, and other longitudinal type markings with a mobile applicator.
 - 3. Apply special markings, crosswalks, stop bars, legends, arrows, and similar patterns with a portable, extrusion-type applicator.
- F. Glass Bead Application:

1. Immediately after marker application, mechanically apply such that the beads are held by and imbedded in the surface of the molten material.
 2. Application Rate: One pound per 20 square feet of compound.
- G. Cool completed marking to ambient temperature prior to allowing vehicular traffic.
- 3.05 INSTALLATION OF RAISED REFLECTIVE MARKERS
- A. Apply markers to the bonding surface using bituminous adhesives only.
 - B. Apply the adhesive to the binding surface (not the marker) so that 100 percent of the bonding area of the marker will be covered.
 - C. Align markers carefully, projecting no more than 3/4-inch above level of pavement. Reflective face of the marker shall be perpendicular to a line parallel to the roadway centerline. Do not install markers over longitudinal or transverse joints of the bonding surface.
 - D. Spacing: As shown on the Drawings.
 - E. Immediately remove excess adhesive from the bonding surface and exposed surface of the marker.
 - F. Use only a mineral spirits meeting Federal Specifications TT-T-291 to remove adhesive from exposed faces of markers.
- 3.06 GLASS BEAD APPLICATION
- A. Apply immediately following application of paint.
 - B. Use evenly distributed, drop-on application method.
 - C. Rate: 10 pounds per gallon of paint.
- 3.07 PROTECTION
- A. The CONTRACTOR shall erect adequate warning signs and/or provide sufficient number of flagmen, and take all necessary precautions for the protection of the materials and safety of the public.
 - B. Protect surfaces from disfiguration by paint spatters, splashes, spills, or drips.
- 3.08 CLEANUP
- A. Remove paint spatters, splashes, spills, or drips from Work and staging areas and areas outside of the immediate Work area where spills occur.

END OF SECTION

SECTION 329200 – TURF GRASS**PART 1 – GENERAL****1.1 WORK INCLUDED**

- A. Provide labor, materials, equipment and services to complete the sodding work, as indicated on the drawings, as specified herein, or both.

1.2 RELATED DOCUMENTS

- A. Drawings and general provisions of the Contract, including General and Supplementary Conditions and Division 01 Specification Sections, apply to this Section.

1.3 QUALITY ASSURANCE

- A. Regulatory Agencies: Conform to the requirements of local agricultural and governing agencies.

1.4 SUBMITTALS

- A. Certificates: Not applicable to this project.

1.5 DELIVERY, STORAGE AND HANDLING

- A. Deliver sod on pallets.
- B. Protect root system from exposure to wind or sun.
- C. Protect sod against dehydration, contamination, and heating during transportation and delivery.
- D. Do not deliver more sod than can be installed within 24 hours.
- E. Do not pile sod more than 2 feet deep.

1.6 JOB CONDITIONS

- A. Begin installation of sod after preceding related work is accepted.
- B. Environmental Requirements:
 - 1. Install sod during time period acceptable to the City.
 - 2. Do not install sod on saturated soil.
- C. Erect signs and barriers against vehicular traffic, where applicable.

1.7 GUARANTEE

- A. Guarantee period is not applicable for this project.
- B. Contractor shall be responsible for any damaged sod caused by forklifts, tractors, trucks etc. during the placing of that sod.

PART 2 - PRODUCTS**2.1 SOD**

- A. Grass Species:
 - 1. Bahia: Paspalum notatum.
- B. American Sod Producers Association (ASPA) Grade: Nursery Grown or Approved.
- C. Sod Configuration:
 - 1. Bahia: Paspalum notatum.
 - a. Furnished in pads, approximately 24" x 18" x 1-1/2", excluding top growth and thatch.
 - b. Pads not stretched or broken.
 - c. Uniformly mowed height when harvested – 2 inches.
- D. Inspected and found free of diseases, nematodes, pests, and pest larvae, by entomologist of the local Agricultural agency.
- E. Weeds: Free of non-specified grass, nut grass or other objectionable weeds.
- F. Uniform in color, leaf texture, and density.

2.2 WATER

- A. Free of substances harmful to plant growth.

2.3 FERTILIZER

- A. Not applicable to this project.

2.4 HERBICIDES AND STERILIZERS

- A. As recommended by local agricultural agencies.

PART 3 - EXECUTION**3.1 INSPECTION**

- A. Verify that planting soil mix is installed as specified in Section 02920 - Soil Preparation.
- B. Water dry soil to depth of 6 inches 48 hours before sodding.

3.2 INSTALLATION

- A. Transplant sod within 48 hours after harvesting.
- B. Lay first row of sod in straight line.
- C. Butt side and end joints.
- D. Stagger end joints in adjacent rows.
- E. Do not stretch or overlap rows.
- F. Cut and trim sod edges at plant beds, walks, buildings or other edge areas.
- G. Sprinkle sod immediately after transplanting to thoroughly water and to wash in lawn sand. Add additional sand to produce a level lawn.

3.3 LAWN ESTABLISHMENT

- A. Watering: Water sod via watering truck daily except Sunday during first two weeks after planting.
- B. Establishment period to extend until final acceptance by the City.

3.4 CLEANING

- A. Immediately clean spills from paved and finished surface areas.
- B. Remove debris and excess materials from project site.
- C. Dispose of protective barricades and warning signs at termination of lawn establishment.

3.5 FINAL INSPECTION AND ACCEPTANCE

- A. Request final inspection for acceptance at completion.
- G. Replace rejected sod area with acceptable sod within two weeks after the inspection.

END OF SECTION 329200

**DETAILED SPECIFICATIONS
PROJECT 12518
ANNUAL ASPHALT MILL AND RESURFACING**

GENERAL:

At time of award of contract, the City reserves the right to set a maximum dollar limit that may be expended on its street resurfacing program in any year. Contract quantities may be reduced or increased to maintain the contract amount within this established limit. It is the intent of this contract to perform the work indicated in the project task order 1. Some items may be increased, decreased or deleted entirely.

All work shall be scheduled through the Office of the City Engineer. An official Departmental notification form (Task Order) will be sent (mailed and faxed) to the Contractor containing the date, time, location sketch, and amount of work to be done as one job or task-order. This form will be the authorization to start work. The Contractor shall commence each authorized portion of work within ten (10) business days of notification. **Upon notification, and prior to commencing work, the Contractor and Engineer shall reach an agreement as to the reasonable number of working days that will be required for the specific amount of task order** (unless the notification form states the number of working days to be allowed). The work shall be completed within the number of working days agreed upon between the Engineer and Contractor, subject to extensions allowed by the Engineer due to unfavorable weather or other allowable causes substantiated by the Contractor.

The work under this contract shall consist of furnishing all labor, materials, equipment and incidentals necessary for general asphalt and road and pathway. Work may include items such as grading, overlays, milling existing asphalt, placing tack coat and plant mix asphaltic concrete compacted to the lines and grades established by the Engineer in City streets, alleys, rights-of-way and within City-owned, or managed property. The job mix formula for each type of asphalt is to be approved by the City Engineer. The plant mix asphalt for this work shall meet this formula within tolerances as specified by the State of Florida Department of Transportation.

PART I – DETAIL SPECIFICATIONS/SCOPE OF SERVICES

The work will include repair and maintenance of the water, sewer, and stormwater infrastructure within the City of Fort Lauderdale often necessitates the cutting or removal of asphalt, striping, and reflective markers within the public right-of-way. The right-of-way may be located within City, County, and/or State jurisdiction and work must be completed per the specifications of the road owner (FDOT, County, and City).

These worksites must be restored quickly after the Utility work is complete. The Utility restoration asphalt work consists of infrequent, relatively small jobs spread throughout the City with a short timeline for completion. Upon notification to contractor by authorized City staff, the paving work must be scheduled by contractor within 48 hours and job completion by ten business days.

The successful bidder shall provide pavement repair services on an as-needed-basis as assigned by authorized City of Fort Lauderdale personnel. Repairs may include Asphalt Concrete (AC), Portland Cement Concrete (PCC), and related materials and services to include but not limited to striping, replacement of reflective markers, scheduling density testing and notifying the proper agency (State, County, and City) for permitting and inspection. Road restoration must match existing asphalt road slope and grade and asphalt type and thickness. Road restoration must comply with all State, County, and City standards for restoration. Street condition following any trench related work shall be

**DETAILED SPECIFICATIONS
PROJECT 12518
ANNUAL ASPHALT MILL AND RESURFACING**

left in an “as good or better” condition following completion of the work to the satisfaction of the City.

The locations that will be assigned for repair services consist of residential and arterial roadways. The City makes no guarantees, expressed or implied, as to the actual number of pavement repair/construction projects to be assigned during any term of the awarded contract.

1. Traffic Control:

The Contractor shall conduct repair operations in a manner that causes minimum obstruction and inconvenience to the public. A Maintenance of Traffic (MOT) plan shall be implemented and must conform to the minimum requirements of the agency that has jurisdiction over the roadway where the repair is being made. The Contractor shall furnish Flagger as necessary to ensure the public is adequately warned that roadway work is underway and of any potentially dangerous conditions. Flagger equipment and high-visibility apparel shall be furnished, kept clean, and maintained in good repair by the Contractor at the Contractor's expense.

The Contractor shall furnish, install, maintain, and regularly inspect barricades, lights, signs and other devices as necessary to prevent accidents, damage to property, and/or injury to the public. The contractor will be responsible for barricades (set-ups, break downs, ordering and cancellation).

All traffic control devices shall conform to the requirements set forth in the General Conditions of this ITB. At all times, emergency vehicles shall be permitted to pass through the work area, without delay.

The Contractor shall only charge the City for Traffic Control services for job sites which are in Urban Principal, Urban Minor arterial streets and Urban Major and Minor Collector roadways. No charges for MOT shall be allowed on residential streets. The Contractor shall not charge the City for Traffic Control services for multiple job sites within 150 feet of each other, within the same flow direction. **No additional or separate compensation for traffic control will be allowed throughout the duration of the contract.**

2. Construction Methods:

Existing improvements, buildings, trees, shrubs, and other items in proximity to where pavement repair is being executed shall be protected from damage that could result from Contractor operations. The Contractor shall be responsible for repairing, at Contractor's sole expense, any damage to existing improvements and/or items that result from the Contractor providing inadequate protection from damage.

**DETAILED SPECIFICATIONS
PROJECT 12518
ANNUAL ASPHALT MILL AND RESURFACING**

The Contractor shall utilize dust palliative products and techniques in order to protect any and all adjacent properties from annoyance and/or damage from dust resulting from asphalt and pavement repairs. The Contractor's failure to utilize dust palliative products and techniques during an asphalt/pavement repair project shall be cause for the City to suspend progress on any project until said dust is controlled; costs associated with lost time, additional repairs, and other related expenses shall be the Contractor's responsibility. The Contractor shall have no recourse to collect funds from the City to cover any Contractor loss resulting from the City's suspension of work. All trench repair projects shall be completed by the end of the workday on which they are started. The Contractor shall be responsible for all project clean-up at Contractor's sole expense.

Surplus spoils/materials shall become the Contractor's property and shall be disposed of in accordance with Florida Department of Environmental Protection standard Waste Management practices. <http://floridadep.gov/waste>.

3. Removals, Grading, and Earthwork:

All AC and PCC pavement shall be machine saw-cut for removal. Pavement saw-cuts shall be made so that removal is to the saw-cut line without additional cracking or breakage beyond the saw-cut lines. All saw-cut depths shall be no less than one and one-half (1½) inches in depth. The Contractor shall saw-cut the existing pavement 12-inches beyond the trench patch limits on all four (4) sides and remove the AC pavement and ASPHALT CONCRETE cap to the base course.

Pricing for saw-cutting, removals, grading, and earthwork shall be included in the bid price per square foot and/or total sum costs.

4. Asphalt Concrete (AC) Pavement:

The Contractor shall:

- 1) remove existing temporary asphalt concrete pavement and a minimum of one (1) - inch of crushed aggregate base (CAB) as directed by the City
- 2) install AC pavement to match the existing AC pavement plus one (1)-inch with a minimum of four (4)-inch AC pavement installation as shown on Broward County and City Standard Drawing in general conditions section (Attachment A).

Where there has been a trench failure, the Contractor shall remove the AC pavement and base material and install new base, and obtain density and AC pavement. All asphalt concrete pavements shall conform to appropriate City, County, and State restoration specifications.

All pull boxes, meter boxes, vaults, and valve covers shall be adjusted to finish grade prior to, and upon placement, of the AC if needed.

**DETAILED SPECIFICATIONS
PROJECT 12518
ANNUAL ASPHALT MILL AND RESURFACING**

The Contractor shall furnish the City with reports from the AC Pavement supplier certifying that the asphalt pavement materials and proportions comply with the standard specifications for asphalt concrete pavement as identified and required herein, as directed by authorized City personnel.

Projects that are part of the contract for this ITB shall require asphalt Tack Coat and prime coat and prime coat for any asphalt larger than full lane width by 20 Linear feet. Tack Coating shall be uniformly applied to existing hard-surface pavement, including the vertical portions of all AC surfaces to be joined.

The Contractor shall spread and distribute AC pavement per Section 302-5 of the Standard Specifications for Public Works Construction (SSPWC).

Measurement and payment for asphalt concrete repairs/construction, complete in place, including compaction, will be prepared at the contract unit (square foot) price. The unit (square foot) price for asphalt concrete pavement shall include the Contractor's full compensation for furnishing all materials, labor, tools, equipment, compaction, and any incidentals required for the Contractor to repair/construct the AC pavement in accordance with the Scope of Work outlined in this ITB, and the Standard Specifications for Public Works Construction.

5. Portland Cement Concrete (PCC):

Portland Cement Concrete (PCC) shall meet the requirements of State, County, and City, and these additional Technical Provisions:

- 1) All improvements shall be constructed of concrete prepared in accordance with Subsection, 201-1 of the SSPWC as to achieve high early strength in order to minimize traffic interruption.
- 2) All pull boxes, meter boxes, vaults, and valve covers shall be adjusted to finish grade prior to, and upon placement, of the PCC.
- 3) The Contractor shall barricade and protect poured/placed concrete from all damage, marks, mars, and/or graffiti. Any damaged, defaced, or defective PCC shall be replaced at the Contractor's expense. Concrete replacement areas shall be from score mark or control joint, to score mark or control joint. All PCC replacement areas shall be saw-cut.

Aggregate Base, as required per City of Fort Lauderdale, shall be included in the bid prices of PCC repairs/improvements.

The unit (square foot) price for PCC repairs/improvement shall include the Contractor's full compensation for all saw-cutting and removal of existing pavement, excavation and sub-grade preparation, furnishing and compacting of backfill material, Aggregate Base as required per City of Fort Lauderdale Standards, construction of

**DETAILED SPECIFICATIONS
PROJECT 12518
ANNUAL ASPHALT MILL AND RESURFACING**

PCC repairs/improvements, doweling to existing PCC, and full depth asphalt concrete slot paving.

6. Striping and Pavement Markers:

It shall be the Contractor's responsibility to locate and identify all existing pavement markings to ensure their proper replacement prior to all pavement resurfacing projects. The Contractor shall replace all painted, or thermoplastic markings, and pavement markers at the same locations where they existed prior to resurfacing. The unit price for painted or thermoplastic pavement markings/striping (by the lineal foot) and pavement markers (by each) shall include full compensation for furnishing all labor, materials, tools, equipment, and incidentals required for the Contractor to complete all work required in applying painted or thermoplastic markings and pavement markers, including any necessary cat tracks, dribble lines and layout work.

PART II – DETAIL SPECIFICATIONS/SCOPE OF SERVICES

The work may include surfacing newly constructed rock base and the resurfacing of existing pavement. Asphalt thickness shall be as determined by the Engineer. All work and materials shall be in accordance with this specification except where stated otherwise herein.

In Items 2 through 4, if reclaimed asphalt is not available, the contractor shall furnish asphalt mixes using all virgin materials at the bid prices for these items. The contract price per ton or per square yard of asphaltic concrete includes all the necessary pavement brushing, maintenance of traffic (MOT), construction of work in place, cut-backs, saw-cutting keyway in existing asphalt, removal and disposal of excess materials and the final cleaning up of the work. Cut-backs shall be approximately three inches (3") from edge of asphalt. The application of tack coat is not included in Item 2 through 4. All tack coat applications will be paid for under Item 6, and shall be applied to all resurfacing areas unless specifically directed otherwise by the Engineer. Contractor must take photograph (or video) of the work area and adjacent areas prior to start of any work. A copy of the photographs (or video) shall be provided to City's Inspector for the record.

Minimum Equipment

The Contractor shall have at its disposal, at a minimum:

- 1) Tandem steel roller weighing 5 to 12 tons;
- 2) Self-propelled, pneumatic-tired roller;

**DETAILED SPECIFICATIONS
PROJECT 12518
ANNUAL ASPHALT MILL AND RESURFACING**

- 3) Tandem steel roller minimum 8-tons;
- 4) Paving machine;
- 5) Steel-wheeled roller;
- 6) Eighteen-foot (18') milling machine with built-in automatic grade control system;
- 7) Fifteen-foot (15') manual straightedge;
- 8) Fifteen-foot (15') rolling straightedge.

CONTRACT DATES:

The termination date for issuance of task orders shall be when the funds are depleted or as agreed to in any issued task orders, whichever comes first. All task orders issued before the contract termination must be completed under this contract, even if the contract has expired.

CONTRACT EXTENSION:

The selected contractor, prior to the end of this contract shall be given the option of renewal for an additional TWO (2) one year periods by mutual agreement, in writing, at the City's request.

The bidder shall also be given (after completion of the initial TWO (2) year contract period) the option to adjust/correct for all (**except item #2, #3, #4 and #5 which are specially accommodated below**) cost increases (inflation) as they relate to specific materials unit price items (independent of any increases or decreases in stated item quantities in the Proposal section). These changes are also by mutual agreement, in writing, along with independent documentation verifying these proposed price increases (i.e. consumer price index, CPI).

Use of this contract for issuing task orders shall be limited by the appropriation of funds by the City Commission.

SPECIFIC PRICE ADJUSTMENT PROVISION FOR TYPE III ASPHALT CONCRETE:

Due to the potential for large fluctuations in oil prices, as part of the construction material Type III or SP 9.5 Superpave Asphalt Concrete (**item #2, #3, #4 and #5**), this contract will correct (up or down) **annually** for this specific unit price line items (**these items only**) for this potential price inflation or deflation during the annual contract renewal period. This adjustment shall be in writing, and shall have attached the most current independent documentation verifying this proposed price increase or decrease. The attachment/reference that shall be used for this documentation will be the Asphalt Cement (\$ per gallon) price obtained from the **FDOT State Construction Office's Fuel & Bituminous Price Index website: <http://www.dot.state.fl.us/construction/fuel&bit/fuel&bit.shtm>**

The **new adjusted price, P_{na}** , (for Type III or SP 9.5 Superpave Asphalt Concrete, item #1, #2 and #3) will be estimated with the formula directly below. It will equate to the ratio between a fixed **initial quoted price, P_{iq}** , (of asphalt cement, which is openly available on the website above and will be recorded by the City in the month corresponding to the posted contract bid close date, and/or at the time for each renewal interval), and the unit price at the time for this renewal, **new quoted price, P_{nq}** , (of asphalt cement from, again, from this same source). This percent ratio will then be factored into the Contractor's fixed **submitted bid price, P_{sb}** , for Type III or SP 9.5 Superpave Asphalt Concrete under item, #1, #2 and #3, on this contract. These figures then combine to obtain the new estimated adjusted price, **P_{na}** , for Type III or SP 9.5 Superpave Asphalt Concrete (**item #2, #3, #4 and #5**) for this contract.

**DETAILED SPECIFICATIONS
PROJECT 12518
ANNUAL ASPHALT MILL AND RESURFACING**

$$P_{na} = [(P_{nq}/P_{iq}) \times (P_{sb})] - [5 \times (P_{sb}) \times (P_{nq}/P_{iq}) \times (P_{nq} - P_{iq}) \times (0.055)] + [1/5 \times (P_{nq} - P_{iq})]$$

Note:

P_{na} = New estimated adjusted price (at each time interval, based on previous figure) for Type III or Type S-1

Asphalt Concrete, Item #2, #3, #4 and #5.

P_{nq} / P_{iq} = New quoted price / Initial quoted price (for asphalt cement). This is a dimensionless ratio, \$ per Gallon / \$ per Gallon.

P_{sb} = Contractor's submitted bid price (\$ / S.Y. or \$/Tonnage) for Type III or Type SP 9.5 Superpave, Item #2, #3, #4 and #5.

BASIS OF PAYMENT (Type III Asphalt Concrete, unit line item #2, #3, #4 and #5):

The bid price for the asphalt mix shall include the cost of liquid asphalt. There will be no separate payment for the bituminous material in the asphalt mix. Should it become necessary to increase the percentage of asphalt to satisfy the job mix formula (e.g., the minimum effective asphalt content) or other requirements of the specifications, no additional compensation will be made. Asphalt installed in excess of required thickness shall be removed and reinstalled at Contractor's expense or be allowed to remain at the City Engineer's option, at the Contractor's expense.

Calculations will be based on a minimum effective asphalt content 5.5 percent for Type III, respectively, the estimated price of asphalt cement at the time of bid, and a current estimate price report (as described above).

SAMPLING DEVICE ON TRANSPORT TANKS:

All transport tanks delivering bituminous materials shall be equipped with an approved spigot-type sampling device.

WORK SCHEDULING:

The work will be scheduled by task orders for different increments or jobs by the City Engineer, at various times and places designated as City Projects or City Improvements. Any one job may be comprised of a continuous application of asphaltic concrete surface, or several separate but closely related applications in one locality. The sequence of the work shall be carried out in accordance with the Engineer's instructions (or his/her representative).

An Engineering Department letter of notification (which may be incorporated in the task order) will be sent to the Contractor. This form will be the authorization to start work. The contractor shall commence each authorized portion of work within ten (10) days of notification. Upon notification and prior to commencing work, the contractor and the Engineer shall agree to the number of working days that will be required for the specific amount of work ordered, completion date will be identified with issuance of the task order. The work shall be completed within the number of working days agreed between the Engineer and contractor, subject to

**DETAILED SPECIFICATIONS
PROJECT 12518
ANNUAL ASPHALT MILL AND RESURFACING**

extensions allowed by the Engineer due to unfavorable weather or other allowable causes substantiated by the contractor.

The Contractor shall dispatch one, or multiple crews, (under one task order) to work within the City limits at a time. The working hours are 7:30 AM to 4:00 PM only (unless specifically agreed to by the City). Once the Contractor starts work on a task order, it shall remain on the job for the necessary number of consecutive working days until it is completed. The Engineering Inspector shall determine when the task order is completed.

PREPARATION:

All streets or driveways or other areas designated by the Engineer or stated in the Specifications or shown on the Plans to receive an asphaltic concrete surface shall be prepared as specified herein.

Prior to the application of the surface course, all loose material, dust, dirt and all foreign material which might prevent proper bond with the existing surface shall be removed to the full width by means of approved mechanical sweepers and supplemented by hand sweeping if required.

Streets shall be prepared for surfacing over the entire width of the existing pavement. The shoulders shall be cleaned back to the limerock base giving a neat and true line approximately one foot beyond the edge of the existing pavement. This material shall be removed from the site within the day by the

Contractor. All depressions shall be thoroughly cleaned, filled with asphaltic concrete leveling course and thoroughly compacted to the general contour of the existing pavement, or to such grade as determined by the Engineer. The leveling course may be placed by hand methods, and shall be compacted by power rolling. A tack coat shall be applied before laying the leveling course or wearing surface. In either case, prior to the application of the surface course, all loose material, existing R.P.M., dust, dirt and all foreign material which might prevent proper bond with the existing surface shall be removed to the full width by means of approved mechanical sweepers, power vacuum, and supplemented by hand sweeping if required. Asphalt removal shall be first sawcut with a concrete power-saw. Prime coats, tack coats and hot-mix asphaltic concrete may be laid only when weather conditions and the condition of the surface are suitable, based on FDOT standards.

TACK COAT:

Tack coat shall be applied to all existing pavement surfaces unless directed otherwise (in writing) by the City and shall be paid for at the unit price bid per gallon for tack coat. Bituminous material for tack coat shall be either Asphalt Cement, Penetration Grade 85-100, conforming to the requirements of AASHTO M-20 or Emulsified Asphalt, Grade RS-2 conforming to the requirements of AASHTO M-140. The bituminous material shall be heated to a suitable consistency as designated by the Engineer. The tack coat shall be applied with a pressure distributor or other approved mechanical or hand methods. The bituminous material shall be applied in a thin uniform layer at a rate between 0.02 and 0.10 gallons per square yard. The tack coat shall be applied sufficiently in advance of the laying of the wearing surface to permit drying, but shall not be applied so far in advance or over such an area that it might lose its adhesiveness as a result of being covered with dust or other foreign material. The tack coat surface shall be kept free from traffic until the wearing surface is laid.

**DETAILED SPECIFICATIONS
PROJECT 12518
ANNUAL ASPHALT MILL AND RESURFACING**

Alternate tack coat material may be any of the following: Emulsified Asphalt, Grades RS-2, CRS-2, SS-1, CSS-1, SS-1H, CSS-1H, AE-60, AE-90, AE-150, CRS-2H or Asphalt Emulsion (AEP) meeting the requirements of Section 916-4, or Emulsion Prime (RS type) meeting the requirements of Section 916-5 of the Florida D.O.T. "Standard Specifications for Road and Bridge Construction", 2010. Equipment shall conform to the requirements of Section 300-3 and application of tack coat shall conform with Section 300-7 of said specifications. Tack coat materials specified above shall not be diluted prior to use. The Engineering Inspector will require appropriate tests of materials at times and locations determined by him/her. The cost of testing shall be paid for by the Contractor.

PRIME COAT:

The material used for prime coat shall be cut-back Asphalt Grade RC-70 or RC-250 meeting the requirements of D.O.T. 916-2, Emulsified Asphalt Grades SS-1 or CSS-1, SS-1H or CSS-1H diluted in equal proportion with water; Asphalt Emulsified Asphalt grade AE-60, AE-90, AE-150 or AE-200 diluted at the ratio of 6 parts emulsified asphalt to 4 parts water; special MS-Emulsion diluted at the ratio of 6 parts emulsified asphalt to 4 parts water; Asphalt Emulsion Prime (AEP) meeting the requirements of D.O.T. 916-4, Emulsion Prime (RS Type) meeting the requirements of D.O.T. 916-5, or other types and grades of bituminous material which may be called for in the plans.

The Contractor may select any of the specified bituminous materials unless the plans indicate the use of a specific material. Types and Grades of bituminous material other than those specified above may be allowed if it can be shown that the alternate material will properly perform the function of prime coat material.

COVER MATERIAL FOR PRIME COAT:

If an emulsified asphalt is used for prime coat, the Engineer may require that cover material be hot-asphalt coated (mix to contain from two to four percent asphalt cement) if necessary to achieve a prime coat which will remain reasonably intact until the surface course is placed.

If material other than emulsified asphalt is used for the prime coat, the cover material shall be either sand (bare of hot asphalt coated) or screenings, at the Contractor's option. The sand shall be non-plastic and free from any appreciable amount of silt, clay balls and root particles, and from any noticeable sticks, trash, vegetation or other organic matter. Screening shall be as specified in D.O.T. 902-5.

PRESSURE DISTRIBUTOR:

Tack coat and prime coat shall be placed with a pressure distributor which shall be equipped with pneumatic tires having a sufficient width of rubber in contact with the road surface to avoid breaking the bond or forming a rut in the surface. The distance between the centers of openings of the outside nozzles of the spray bar shall be equal to the width of the application required within an allowable variation of two inches.

The outside nozzle at each end of the spray bar shall have an area of opening not less than 25 percent nor more than 75 percent in excess of the other nozzles. All other nozzles shall have uniform openings. When the application covers less than the full width, the normal opening of the end nozzle at the junction line may remain the same as those of the interior nozzles.

**DETAILED SPECIFICATIONS
PROJECT 12518
ANNUAL ASPHALT MILL AND RESURFACING**

CLEANING BASE AND PROTECTION OF ADJACENT WORK:

Before any bituminous material is applied, all loose material, dust, dirt, caked clay and other foreign material which might prevent proper bond with the existing surface shall be removed for the full width of the application by approved mechanical sweepers and power vacuum. Particular care shall be taken in cleaning the outer edges of the strip to be treated, to insure that the prime or tack coat will adhere. When the prime or tack coat is applied adjacent to curb and gutter, valley gutter or any other concrete surfaces, such concrete surfaces (except where they are to be covered with heavy paper, or otherwise protected as approved by the Engineer, while the prime or tack coat is being applied. Any bituminous material deposited on such concrete surfaces shall be removed.

TEMPERATURE SENSING DEVICE ON TRANSPORT TANKS:

All transport tanks delivering bituminous materials shall be equipped with an approved dial type thermometer. The thermometer shall have a temperature range from 50°F to 500°F in 25°F increments with minimum dial diameter of two inches.

The thermometer shall be located near the midpoint in length and within the middle third of the height of the tank and be enclosed in a well with a protective window or by other means as necessary to keep the instrument clean and in the proper working condition.

The measurement shall be based on a temperature of 60°F, and correction for temperature shall be made by increasing or decreasing the volume actually measured as specified in section 300-9.3 of the Florida D.O.T. 2015.

UTILITY BOX ADJUSTMENTS:

The Contractor is responsible for adjusting (raising and lowering) all City's valve boxes, clean out boxes and (raising) all City's manholes and inlets as per Items 31, 32, and 33 of the contract proposal. Manholes that are higher than existing grade will be adjusted (lowered) by City forces.

Manhole castings are to have the capability of expanding to precisely fit each manhole frame. This feature allows for any dimensional variances. Single-bolt split ring with four (4) bolt construction.

1. Cast Ductile Iron Base
2. Fabricated Steel Back Support
3. Steel Reinforcing Bar: Cold rolled steel bar welded to upper edge of the steel back prevents bending and deterioration from an H-20 wheel loading or repeated removal and insertion of the manhole cover.
4. Stainless Steel Expansion and Elevating Bolts
5. Vinyl Gasket
6. Safe Tite Seal: An advanced polymer lining bonded to the outside walls of the extension ring which grips the original manhole frame. This allows for shock to be evenly dispersed without loosening the bond.

All other utility boxes shall be adjusted by the respective utility company. In locations where adjustment has not been performed, it shall be the Contractor's responsibility to lay a bond-

**DETAILED SPECIFICATIONS
PROJECT 12518
ANNUAL ASPHALT MILL AND RESURFACING**

breaker material over the utility box before resurfacing, then remove the fresh asphalt placed over the utility box access hole after resurfacing.

The City reserves the right to reject work where utility boxes are covered over.

APPLICATION OF PRIME COAT:

The surface to be primed shall be clean and the moisture content of the base shall not exceed 90 percent of the optimum moisture. The temperature of the prime material shall be between 100°F and 150°F. The actual temperature shall be that which will insure uniform distribution, and will be designated by the Engineer. The material shall be applied by means of a pressure distributor. The amount to be applied will be dependent on the character of the surface and shall be sufficient to coat the surface thoroughly and uniformly, with no excess.

The rate of application shall be not less than 0.10 gallon per square yard, unless a lower rate is directed by the Engineer.

If so required by the Engineer, the base shall be lightly sprinkled with water and rolled with a traffic roller, in advance of the application of the prime.

If warranted by traffic conditions, the Engineer may require that the application be made on only one-half the width of the base at one time, in which case positive means shall be used to secure the correct amount of bituminous material at the joint.

ASPHALTIC CONCRETE:

The asphalt concrete material to be placed under this contract shall be Florida Department of Transportation (D.O.T.) Type S-3 or D.O.T. SP 9.5, as determined by the Engineer. All materials shall conform to the requirements for this designation as set forth in Florida D.O.T. Standard Specifications for Road and Bridge Construction 2013. The plant and methods of operation for preparing all plant-mixed hot bituminous mixtures of asphaltic concrete, and the requirements for the equipment to be used in the construction of the pavements shall conform to the requirements of Section 320 of said Florida Department of Transportation standards.

TYPE III ASPHALTIC CONCRETE:

Bituminous Material: The bituminous material shall be Asphalt Cement, Viscosity Grade AC-20 or AC-30, meeting the requirements set forth in Section 916-1, Florida D.O.T.

Aggregate: The aggregate shall consist of stone or slag screening or a combination of stone or slag screenings with silica sand, and shall meet the gradation requirements and provide the required stability of the mix, as specified below. Screenings shall be produced from stone or slag conforming with the requirements of Section 901. The sand shall meet the requirements of 332-2.2.3. Aggregate containing any appreciable amount of phosphate shall not be used.

Mineral Filler: Mineral filler, if needed, shall conform to the requirements of Section 917, Florida D.O.T.

GENERAL COMPOSITION OF MIXTURE:

**DETAILED SPECIFICATIONS
PROJECT 12518
ANNUAL ASPHALT MILL AND RESURFACING**

General: The bituminous mixture shall be composed of a combination of aggregate (coarse, fine or mixtures thereof), mineral filler if required, and bituminous material. The several aggregate fractions shall be sized, uniformly graded, and combined in such proportions that the resulting mixture will meet the grading and physical properties of the approved job mix formula.

Grading Requirements: The job mix formula, as established by the Contractor and approved by the Engineer, shall be within the design range specified in Table 331-1, Florida D.O.T. Contractor shall submit job mix formula for Engineer's approval.

Proportions of Sand and Screenings: Not more than 25 percent by weight of the total aggregate used shall be local sand. In addition to the local sand, a portion not to exceed 15 percent by weight of the total aggregate may be commercial washed sand.

Stability: The constituents of the mixture shall be combined in such proportions as to produce a mixture having Marshall properties within the limits shown in Table 331.2, Florida D.O.T.

Screening: When tested at the cold elevator in the combination to be used, the aggregate shall contain not more than 10 percent, by weight, of material passing the No. 200 sieve. Any screenings used in the combination of aggregate shall not contain more than 15 percent of material passing the No. 200 sieve. When two screenings are blended to produce the screenings component of the aggregate, any component of such screenings may contain up to 18 percent of material passing the No. 200 sieve. Screenings may be washed to meet these requirements and shall be free from lumps and foreign matter.

CONTRACTOR'S QUALITY CONTROL:

The Contractor shall provide the necessary control of the bituminous mixture and construction in accordance with the applicable provisions of 6-8.4 and 331-4.4, Florida D.O.T. and other standard industry practices.

After the job mix formula is approved, the Contractor shall furnish the material not only within the limits of the design range, but in addition, shall meet the approved job mix formula within the acceptance ranges shown in the approved design mix. The hot bin gradations shall comply with the provisions of 331-4.4.3 and Table 331-3, Florida D.O.T.

Testing: The Contractor shall contract with an acceptable FDOT testing facility to perform quality control testing as directed by the engineer. Engineer reserves the right to request any quality control test at any time on the road or at the asphalt plant for informational purposes, and for determining the effectiveness of the Contractor's quality control. The Engineer may request Marshall Stabilities to determine whether or not the Contractor is meeting his design requirements. When the results of at least two consecutive tests indicate noncompliance with the approved design mix, the Contractor's operations will be stopped until the requirements can be met or another design mix has been approved or a placing and rolling mitigation plan is approved.

Acceptance at the Plant: The bituminous mixture will be accepted at the plant with respect to gradation and asphalt content in accordance with the requirements of 331-5, Florida D.O.T.

**DETAILED SPECIFICATIONS
PROJECT 12518
ANNUAL ASPHALT MILL AND RESURFACING**

Acceptance on the Roadway: The bituminous mixture will be accepted on the roadway with respect to compacted density and surface tolerance in accordance with the applicable provisions of 330-10 and 330-12, Florida D.O.T.

Additional Tests: The Engineer reserves the right to run any test at any time at the asphalt plant or on the road for informational purposes, and for determining the effectiveness of the Contractor's quality control. The Engineer may run Marshall Stabilities to determine whether or not the Contractor is meeting his design requirements. When the results of at least two consecutive tests indicate noncompliance with the approved design mix, the Contractor's operations will be stopped until the requirements can be met or another design mix has been approved.

COMPACTING MIXTURE:

The following equipment, sequence and coverage are suggested for use based on past successful performance; however, since density is required, the Contractor may select his own equipment, sequence and coverage of rolling to meet the minimum density requirements specified.

- 1) Seal rolling, using tandem steel rollers weighing 5 to 12 tons, and following as close behind the spreaders as is possible without pickup, undue displacement or blistering of the material.
- 2) Rolling with self-propelled, pneumatic-tired rollers, following as close behind the seal rolling as the mix will permit. The roller shall cover every portion of the surface with at least five passes.
- 3) Final rolling with the 8- to 12-ton tandem steel roller, to be done after the seal rolling and pneumatic-tired rolling have been completed, but before the pavement temperature has dropped below 140°F.

Once the Contractor has selected the equipment and established the following procedures and these have been used for the control strip density determination, then the Contractor must continue to use the same equipment and rolling procedures for all asphalt mix represented by the control strip. Changes in equipment or procedures will require a new control strip density determination. The Engineer must be notified prior to changing the rolling process.

When density is not required, as for all patching courses, leveling and intermediate courses less than one inch thick over build courses of variable thickness (when the minimum thickness is less than one inch), the compaction will be applied in accordance with the standard specifications. The specified rolling procedures must be followed when density determinations will not be made.

When density is not required on those courses indicated in the foregoing paragraph, but the Contractor desires to use other rollers, patterns or sequences than those specified, it may request approval from the Engineer. Approval may be granted for leveling and intermediate courses one half inch (1/2") and thicker and over build courses when these courses are placed with a paving machine.

Density requirements will be in accordance with the provisions of the first paragraph of 330-10.3 (Density Control - Nuclear Method), Table 330-2 and Table 330-3. Approval for a change on

DETAILED SPECIFICATIONS
PROJECT 12518
ANNUAL ASPHALT MILL AND RESURFACING

patching courses, variable thickness leveling courses placed with motor graders and open-graded friction courses will not be granted.

Compaction at Crossovers, Intersections, etc.: When a separate paving machine is being used to pave the crossovers, the compaction of the crossovers may be done by one 8- to 10-ton tandem steel roller. If crossovers, intersections and acceleration and deceleration lanes are placed with the main run of paving, a traffic roller shall also be used in the compaction of these areas.

Rolling Procedures: The initial rolling shall be longitudinal. Where the lane being placed is adjacent to a previously placed lane, the center joint shall be pinched or rolled, prior to the rolling of the rest of the lane.

After the rolling or pinching of the center joint, the rolling shall continue across the mat by overlapping each previous roller path by at least one-half the width of the roller wheel. The motion of the roller shall be slow enough to avoid displacement of the mixture, and any displacement shall be corrected at once by the use of rakes, and the addition of fresh mixture if required. Final rolling shall be continued until all roller marks are eliminated.

Speed of Rolling: Rolling with the self-propelled, pneumatic-tired rollers shall proceed at a speed of six (6) to ten (10) miles per hour, and the area covered by each roller shall not be more than 4,000 square yards per hour, except that for Type S-1 Asphaltic Concrete, this maximum rate of coverage shall be 3,000 square yards per hour.

Number of Pneumatic-tired Rollers Required: A sufficient number of self-propelled, pneumatic-tired rollers shall be used to assure that the following of the surface for the required number of passes will not delay any other phase of the laying operation nor result in excessive cooling of the mixture before the rolling is complete. In the event that the rolling falls behind, the laying operation shall be discontinued until the rolling operations are sufficiently caught up.

Compaction of Areas Inaccessible to Rollers (such as areas adjacent to curbs, headers, gutters, bridges, manholes, etc.) shall be compacted by the use of hand tamps or other satisfactory means.

Rolling Patching and Leveling Courses: Self-propelled, pneumatic-tired rollers shall be used for the rolling of all patching and leveling courses. Where the initial leveling course is placed over broken concrete pavement, the pneumatic-tired roller shall weigh at least fifteen (15) tons. On other leveling courses, the use of a steel-wheeled roller will be required on all passes after the first.

Correcting Defects: The rollers shall not be allowed to deposit gasoline, oil or grease onto the pavement. Any areas damaged by such deposits shall be removed and replaced as directed by the Engineer. While rolling is in progress, the surface shall be tested continuously and all discrepancies corrected to comply with the surface requirements. All drippings, fat or lean areas and defective construction of any description shall be removed and replaced. Depressions which develop before the completion of the rolling shall be remedied by loosening the mixture and adding new mixture to bring the depressions to a true surface. Should any depression remain after the final compaction has been obtained, the full depth of the mixture shall be removed and replaced with sufficient new mixture to form a true and even surface. All high spots, high joints and honeycomb shall be corrected when indicated by the Engineer. Any

**DETAILED SPECIFICATIONS
PROJECT 12518
ANNUAL ASPHALT MILL AND RESURFACING**

mixture remaining unbonded after rolling shall be removed and replaced. Any mixture which becomes loose or broken, mixed or coated with dirt or in any way defective, prior to laying the wearing course shall be removed and replaced with fresh mixture which shall be immediately compacted to conform with the surrounding area. Areas of defective surfaces may be repaired by the use of indirect heat. No method of repair involving open-flame heaters shall be used.

DENSITY CONTROL:

Rolling shall progress continuously until the asphalt is compacted to 100% of the laboratory compacted mixture, plus or minus 2%. A tandem roller weighing no less than 8 tons shall be used in rolling operations. The rolling shall include all transverse, longitudinal, diagonal, and where practicable, crescent rolling, as may be necessary to obtain maximum density.

SURFACE REQUIREMENTS:

Contractor Responsibility: The Contractor shall be responsible for obtaining a smooth surface on all pavement courses placed and therefore should straightedge all intermediate and final courses with a fifteen foot (15') rolling straightedge. A fifteen-foot (15') manual straightedge shall be furnished by the Contractor and shall be available at the job-site at all times during the paving operation for checking joints and surface irregularities.

Texture of the Finished Surface of Paving Layers: The finished surface shall be of uniform texture and compaction. The surface shall have no pulled, torn, or loosened portions and shall be free of segregation, sand streaks, sand spots, or ripples. Any area of the surface which does not meet the foregoing requirements shall be corrected in accordance with 330-12.4.

ACCEPTANCE TESTING FOR SURFACE TOLERANCE:

General: Acceptance testing for surface tolerance will be applicable only to through traffic lanes and ramps, where the ramp is a constant width, and shall include all construction joints.

Intersections, acceleration lanes, deceleration lanes, tapers, crossovers, transitions at beginning and end of project, and similar areas will not be tested for surface tolerance with the rolling straightedge as provided below. However, any individual surface irregularity in these areas in excess of 3/8-inch as determined by a 15-foot straightedge, and deemed by the Engineer to be objectionable, shall be corrected in accordance with 330-12.4.

Test Method: Acceptance testing shall consist of one pass of a standard 15-foot rolling straightedge operated along the centerline of each lane tested. This does not preclude acceptance testing at other locations within the lane being tested.

Acceptance Criteria For Final Surface: Upon completion of the final surface, engineering personnel and Contractor's personnel will test the finished surface with a 15-foot rolling straightedge. All deficiencies in excess of 3/16-inch shall be corrected in accordance with 330-12.4, except that correction by overlaying will not be permitted when the final surface is a friction course.

The Engineer may waive corrections specified above if it is determined that the deficiencies are sufficiently separated so as not to significantly affect the ride quality or drainage of the pavement and that corrective action would unnecessarily mar the appearance of the finished pavement surface.

**DETAILED SPECIFICATIONS
PROJECT 12518
ANNUAL ASPHALT MILL AND RESURFACING**

Where the Engineer elects to waive a correction, the appropriate pay quantity for Asphaltic Concrete shall be reduced by the equivalent quantity of materials which would have been removed and replaced if the correction had been made. The calculation for volume which would have been removed is (50'+ deficient length) x lane width x layer thickness x laboratory density for the mix.

CORRECTING UNACCEPTABLE PAVEMENT:

The Contractor has the option of selecting one of the following methods unless overlaying is prohibited in accordance with 330-12.3.4:

- a) Removing and Replacing: If correction is made by removing and replacing the pavement, the removal must be for the full depth of the course and extend at least 25 feet on either side of the defective area, for the full width of the paving lane.
- b) Overlaying: If correction is made by overlaying, the overlay shall cover the length of the defective area and taper uniformly to a feathered edge thickness at a minimum distance of 25 feet on either side of the defective area. The overlay shall extend full width of the roadway. Care shall be taken to maintain the specified cross slope.

The cost of all corrective work, either by removing and replacing or by overlaying, shall be borne by the Contractor.

STRIPING:

I. DESCRIPTION

This work shall consist of furnishing and installing thermoplastic preformed pavement markings in accordance with this provision and in reasonably close conformity with the dimensions and lines established by the Engineer and/or as existing before resurfacing.

II. MATERIALS – GENERAL

The contractor shall furnish and install thermoplastic pavement markings as detailed in items 11 and shall refer to the Florida Department of Transportation Standard Specification for Road and Bridge Construction 2013, 700, 709, 710, and 711.

The Contractor shall furnish and install temporary pavement striping at the end of each day's work when directed by the Engineer to do so. The striping shall consist of double yellow lines six inch (6") and four inch (4"), white lines six inch (6") and four inch (4"), and 24 inch (24") white stop bars.

The double yellow lines shall be fifty feet (50') in length and will be placed at intersections having stop signs.

Basis of payment shall be at the unit price bid per lineal foot to furnish six inch (6") or four-inch (4") wide double yellow lines (e.g., a double yellow line fifteen feet (15') in length will require thirty feet (30') of material; payment will be made for fifteen feet (15') of double yellow line).

**DETAILED SPECIFICATIONS
PROJECT 12518
ANNUAL ASPHALT MILL AND RESURFACING**

SAW-CUT KEYWAY:

At bridges, major intersections or at locations designated by the Engineer, Contractor shall saw-cut a one-foot (1') wide keyway (nominal one inch (1") deep) across full width of existing asphalt roadway.

All costs associated with saw-cutting, removal of existing asphalt, cleanup, and incidentals shall be included in the contract price per ton of Type III or Type S-1 asphalt.

TRAFFIC CONTROL:

Traffic control consists of maintaining traffic within the limits of the project for the duration of the construction period, including any temporary suspensions of the work. It shall include the construction and maintenance of any necessary detour facilities; the providing of necessary facilities for access to residences, businesses, etc., along the project; the furnishing, installation and maintaining of traffic control and safety devices during construction; the control of dust, and any other special requirements for safe and expeditious movement of traffic as may be called for on the plans. The term traffic control shall include all of such facilities, devices and operations as are required for the safety and convenience of the public as well as for minimizing public nuisance; all as specified in this Section.

Detours Over Existing Roads and Streets: When traffic is specified to be detoured by the Engineer over roads or streets outside the project area, the Contractor will not be required to maintain such roads or streets, but must place and maintain all MOT signs, including those at the intersections with the project.

Beginning Date of Contractor's Responsibility: The Contractor's responsibility for maintenance of traffic shall begin on the day it starts work on the project.

Maintenance of Roadway Surfaces: All lanes that are being used for the maintenance of traffic, including those on detours and temporary facilities, shall be adequately maintained, with a substantial surface under all weather conditions. The lanes shall be kept reasonably free of dust and when necessary to accomplish this, they shall be sprinkled with water, or some other dust palliative shall be applied.

Removal of Parked Cars: Prior to commencing resurfacing, Contractor shall investigate work sites to determine where motor vehicles are encroaching or obstructing portions of the roadway to be surfaced. Contractor shall be responsible for notifying vehicle owners and/or causing such vehicles to be removed prior to commencing his resurfacing operations. Contractor shall mount and remove notification signs (supplied by the Contractor) a minimum of 16 and 48 hours in advance.

Number of Traffic Lanes: Except as otherwise specified herein, on the plans, or in the special provisions, the Contractor shall maintain one lane of traffic in each direction. Two lanes of traffic in each direction shall be maintained at existing four (or more) lane cross roads, where necessary to avoid undue traffic congestion. Unless otherwise specified, the effective width of each lane used for maintenance of traffic shall be at least as wide as the traffic lanes existing in the area prior to commencement of construction. Traffic control and warning devices shall not encroach on lanes used for maintenance of traffic.

**DETAILED SPECIFICATIONS
PROJECT 12518
ANNUAL ASPHALT MILL AND RESURFACING**

The Contractor may be allowed to restrict traffic to one-way operation for short periods of time provided that adequate means of traffic control are affected and traffic is not unreasonably delayed. When a construction activity requires restricting traffic to one-way operations and the flagpersons do not have visual contact with each other, the Contractor must equip the flagperson with two-way radios or use pilot vehicle(s). Flaggers must have FDOT approved Flagger training.

Crossings and Intersections: Adequate accommodations for intersecting and crossing traffic shall be provided and maintained and, except where specific permission is given, no road or street crossing the project shall be blocked or unduly restricted.

Access for Residences and Businesses: The Contractor shall not isolate residences and places of business. Access shall be provided to all residences and all places of business whenever construction interferes with the existing means of access. Any minor access interruption shall be coordinated between the contractor and business or resident. Contractor shall notify all resident and business on the road to be worked of the construction schedule and superintendent's name and phone number a minimum of 48 hours in advance of the work.

The cost of all work under maintenance of traffic shall be included in the unit price bid for all contract items in the Proposal (section).

MILLING OF EXISTING ASPHALT PAVEMENT:

Description: The work specified in this Section consists of removing existing asphaltic concrete pavement by milling to improve the rideability of the finished pavement, to lower the finished grade adjacent to existing curb prior to resurfacing, or to completely remove existing pavement.

When milling to improve rideability, an average depth of cut will be specified.

Unless otherwise specified, the milled material becomes the property of the Contractor.

Equipment: The milling machine shall be capable of maintaining a depth of cut and cross slope that will achieve the results specified in the specifications. The overall length of the machine (out to out measurement excluding the conveyor) shall be a minimum of 18 feet. The minimum cutting width shall be six feet.

The milling machine shall be equipped with a built-in automatic grade control system that can control the transverse slope and the longitudinal profile to produce the specified results.

Any commercially manufactured milling machine meeting the above requirements will be approved to start the project. If it becomes evident after milling has started that the milling machine cannot consistently produce the specified results, the milling machine will be rejected for further use.

When milling to lower the grade adjacent to existing curb or other areas where it is impractical to use the above described equipment, the use of a smaller milling machine will be permitted.

The milling machine shall be equipped with means to effectively limit the amount of dust escaping the removal operation.

**DETAILED SPECIFICATIONS
PROJECT 12518
ANNUAL ASPHALT MILL AND RESURFACING**

For complete pavement removal, the use of alternate removal and crushing equipment, in lieu of the equipment specified above, may be approved by the Engineer.

Construction: When milling to improve rideability, the existing pavement shall be removed to the average depth specified by the Engineer in a manner that will restore the pavement surface to a uniform cross section and longitudinal profile. The Project Engineer may require the use of a stringline to ensure maintaining the proper alignment.

The longitudinal profile of the milled surface shall be established on the side of the cut nearest the centerline of the road. The cross slope of the milled surface shall be established by a second sensing device near the outside edge of the cut or by an automatic cross slope control mechanism. The plans may waive the requirement for automatic grade or cross slope controls where the situation warrants such action.

The Contractor may elect to make multiple cuts to achieve the required pavement configuration or depth of cut.

The milling machine shall be operated to effectively minimize the amount of dust being emitted from the machine. Pre-wetting or wetting during milling of the pavement may be required to conform to State law.

If traffic is to be maintained on the milled surface prior to the placement of the new asphaltic concrete, the pattern of striations shall be such as to produce an acceptable riding surface. The Project Engineer will control the traveling speed of the milling machine to produce a texture that will provide an acceptable riding surface.

Prior to milling operation storm drain inlets shall be covered with filter fabric.

Prior to opening an area which has been milled to traffic, the pavement shall be thoroughly swept with a power broom and power vacuum or other approved equipment to remove to the greatest extent practicable, fine material which will dust under traffic. This operation shall be conducted in a manner so as to minimize the potential for creation of a traffic hazard and to minimize air pollution.

Sweeping of the milled surface with a power broom and power vacuum will be required prior to placing asphaltic concrete.

In urban and other sensitive areas where dust would cause a serious problem, the Contractor shall use street sweeper (using water) and power vacuum in a closer interval to ensure minimum inconvenience to the area residents.

To prevent, to the greatest extent practicable, the infiltration of milled material into the storm sewer system when the milling operation is within the limits of, and adjacent to a municipal curb and gutter or a closed drainage system, the sweeping and vacuuming operation shall be performed immediately after the milling operations or as directed by the Engineer. Collected materials shall be immediately removed from the site.

This operation shall also include the thorough removal of all milled material from the gutter in such a manner as to protect the curb from damage and to prevent the material being swept into the inlet openings or inlet grates. The equipment and methods utilized to sweep the gutter shall

**DETAILED SPECIFICATIONS
PROJECT 12518
ANNUAL ASPHALT MILL AND RESURFACING**

be approved prior to beginning and may be changed or revised to achieve the desired results as directed by the Engineer.

Milled Surface: The milled surface shall have a reasonably uniform texture and shall be within 1/4-inch of a true profile grade and shall have no deviation in excess of 1/4-inch from a straightedge applied to the pavement perpendicular to the centerline. The variation of the longitudinal joint between multiple cut areas shall not exceed 1/4-inch. Areas varying from a true surface in excess of the above stated tolerance may be accepted without correction if the Engineer determines that they were caused by pre-existing conditions which could not have reasonably been corrected by the milling operations. Any unsuitable texture or profile, as determined by the Engineer, shall be corrected by the Contractor at no additional compensation.

The Engineer may require re-milling of any area where a surface lamination causes a non-uniform texture to occur.

Method of Measurement: The quantity to be paid for under this Section shall be the area over which milling is acceptably completed.

Basis of Payment: The quantity shall be paid for at the contract unit price for Milling Existing Asphalt Pavement.

The price and payment for Milling Existing Asphalt Pavement shall be full compensation for all work specified in this Section, including hauling off and stockpiling or otherwise disposing of the milled material.

TYPE SP-9.5 ASPHALTIC CONCRETE(FDOT 334 HOT MIX ASPHALT FOR LOCAL AGENCIES):

The contractor shall refer to Florida Department of Transportation Standard Specification for Road and Bridge Construction 2013, 334 Superpave Asphalt Concrete.

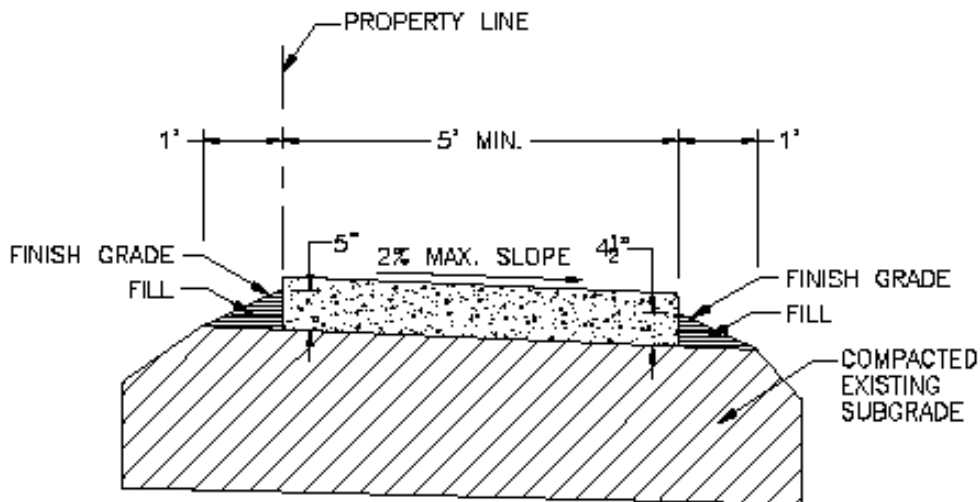
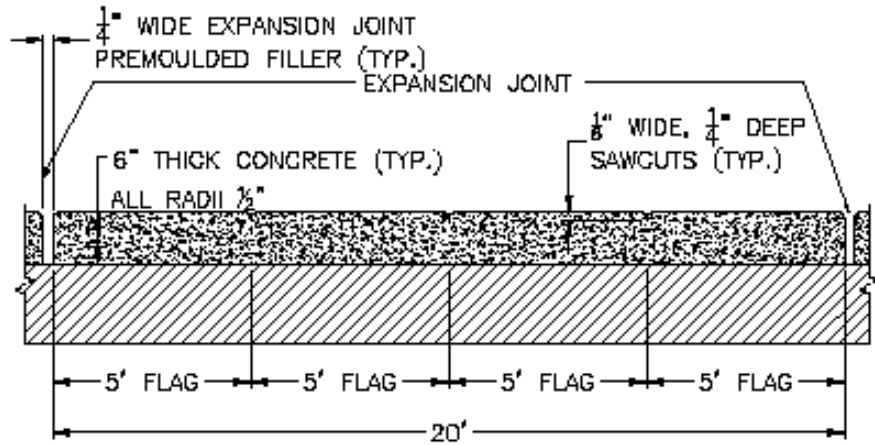
WHEELCHAIR RAMPS:

Existing concrete shall be neatly cut on straight lines with a concrete saw and all excavated concrete and excess material shall be disposed of. A minimum of 9-feet of curb and gutter or curb shall be removed and replaced with standard drop curb with transitions to standard curb and gutter placed monolithically with minimum 6-inch-thick concrete sidewalk ramp and transitions to the remaining sidewalk. All ramps shall have detectable warning surface truncated dome as shown on Page SC-13, epoxy-type installation, armor tile - cast in place or approved equal detectable warning surface on each ramp location. The Engineer will determine detectable warning surface color at time of application (See detail on page SC-13). Stabilized and compacted sub-base shall be provided for the support of the wheelchair ramp structure. Payment for wheelchair ramps will be made on the basis of the unit price bid for each wheelchair ramp, complete, in place.



CITY OF FORT LAUDERDALE

OFFICE OF THE CITY ENGINEER



NOTES:

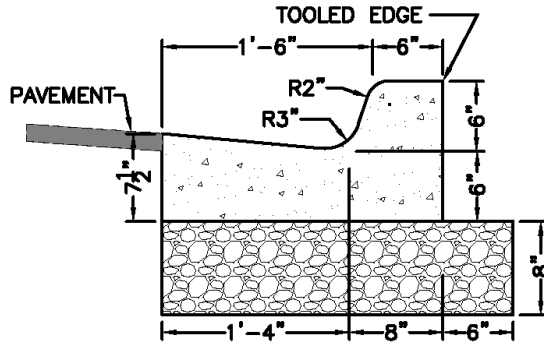
1. A MINIMUM OF 6" THICK SIDEWALK IS REQUIRED ON ALL SIDEWALK APPLICATIONS.
2. CONCRETE STRENGTH SHALL BE 3000 P.S.I.
3. THE USE OF REINFORCEMENT WILL NOT BE PERMITTED.
4. SIDEWALK SLOPES SHALL MEET THE REQUIREMENTS OF THE AMERICANS WITH DISABILITIES ACT (ADA).

DATE: JAN. '82	SCALE: N.T.S.	SIDEWALK CONSTRUCTION	C 2.1
REVISED: OCT. 2015	DRAWN BY:		

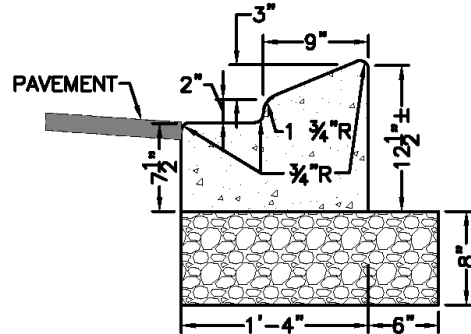


CITY OF FORT LAUDERDALE

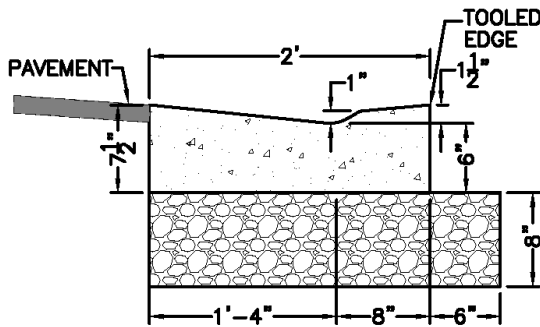
OFFICE OF THE CITY ENGINEER



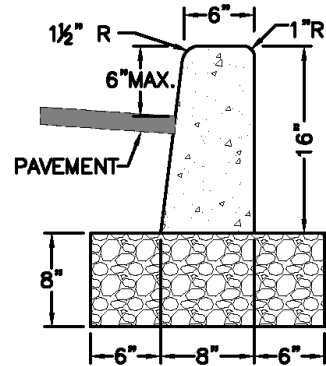
TYPE 'F' CURB & GUTTER



TYPE 'A' MEDIAN CURB



DROP CURB



TYPE 'D'

NOTE:

1. ALL CURBS MUST HAVE AN 8" THICK MINIMUM STABILIZED LIMEROCK BASE, COMPACTED TO 98% MAX. DENSITY PER AASHTO T-180.
2. ALL CONCRETE STRENGTH TO BE 3000 P.S.I.

DATE: JAN. '82

SCALE:
N.T.S.

STANDARD CURB DETAILS

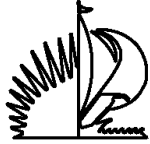
REVISED:
MARCH '09

DRAWN BY:

C

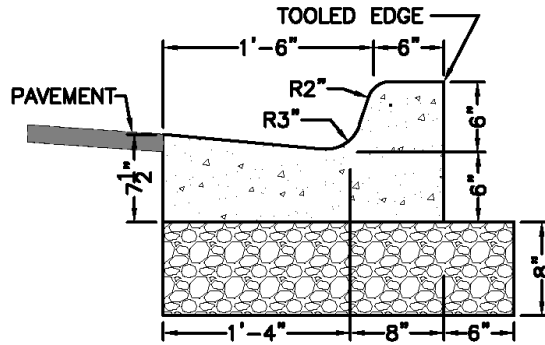
3.1

1 OF 2

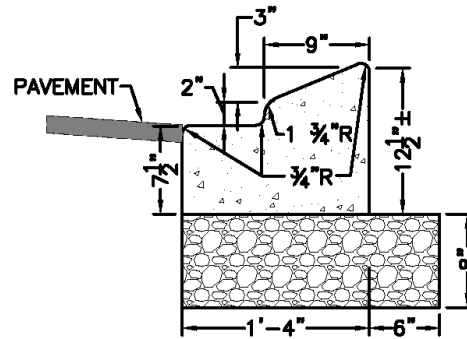


CITY OF FORT LAUDERDALE

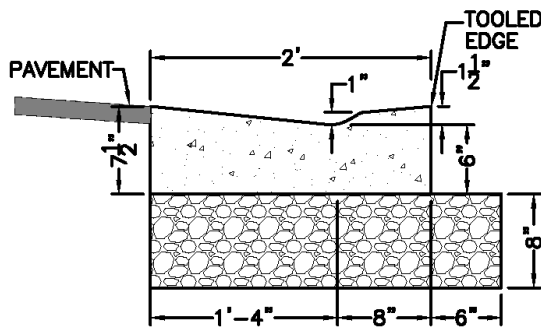
OFFICE OF THE CITY ENGINEER



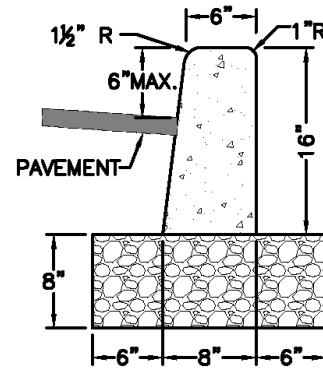
TYPE 'F' CURB & GUTTER



TYPE 'A' MEDIAN CURB



DROP CURB

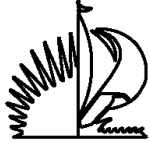


TYPE 'D'

NOTE:

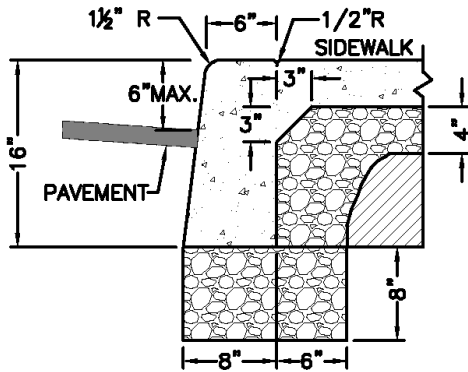
1. ALL CURBS MUST HAVE AN 8" THICK MINIMUM STABILIZED LIMEROCK BASE, COMPACTED TO 98% MAX. DENSITY PER AASHTO T-180.
2. ALL CONCRETE STRENGTH TO BE 3000 P.S.I.

DATE: JAN. '82	SCALE: N.T.S.	STANDARD CURB DETAILS	C
REVISED: MARCH '09	DRAWN BY:		3.1 1 OF 2

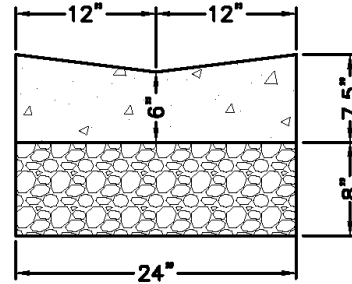


CITY OF FORT LAUDERDALE

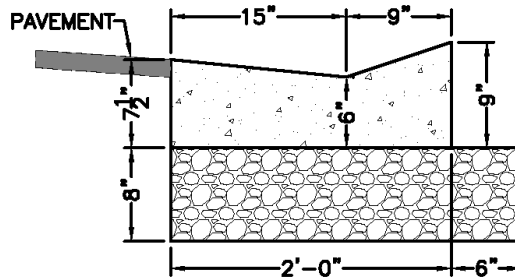
OFFICE OF THE CITY ENGINEER



16" CURB WITH SIDEWALK



SYMMETRICAL VALLEY GUTTER
N.T.S.



V-GUTTER

NOTE:

1. ALL CURBS MUST HAVE AN 8" THICK MINIMUM STABILIZED LIMEROCK BASE, COMPACTED TO 98% MAX. DENSITY PER AASHTO T-180.
2. ALL CONCRETE STRENGTH TO BE 3000 P.S.I.

DATE: JAN. '82	SCALE: N.T.S.	STANDARD CURB DETAILS	C
REVISED: MARCH '09	DRAWN BY:		3.1 2 OF 2



**CITY OF FORT LAUDERDALE
OFFICE OF THE CITY ENGINEER**

ADA CURB RAMPS GENERAL NOTES*:

1. PUBLIC SIDEWALK CURB RAMPS SHALL BE CONSTRUCTED IN THE PUBLIC RIGHT OF WAY AT LOCATIONS THAT WILL PROVIDE CONTINUOUS UNOBSTRUCTED PEDESTRIAN CIRCULATION PATHS TO PEDESTRIAN AREAS, ELEMENTS, AND FACILITIES IN THE PUBLIC RIGHT OF WAY AND TO ACCESSIBLE PEDESTRIAN ROUTES ON ADJACENT SITES. CURBED FACILITIES WITH SIDEWALKS AND THOSE WITHOUT SIDEWALKS ARE TO HAVE CURB RAMPS CONSTRUCTED AT ALL STREET INTERSECTIONS AND AT TURNOUTS THAT HAVE CURBED RETURNS. RAMPS CONSTRUCTED AT LOCATIONS WITHOUT SIDEWALKS SHALL HAVE A LANDING CONSTRUCTED AT THE TOP OF EACH RAMP.

2. THE LOCATION AND ORIENTATION OF CURB RAMPS SHALL BE AS SHOWN IN THE PLANS.

3. CURB RAMP RUNNING SLOPES AT UNRESTRAINED SITES SHALL NOT BE STEEPER THAN 1:12 AND CROSS SLOPE SHALL BE 0.02 OR FLATTER. TRANSITION SLOPES SHALL NOT BE STEEPER THAN 1:12.

WHEN ALTERING PEDESTRIAN FACILITIES WHERE EXISTING SITE DEVELOPMENT PRECLUDES THE ACCOMMODATION OF A RAMP SLOPE OF 1:12, A RUNNING SLOPE BETWEEN 1:12 AND 1:10 IS PERMITTED FOR A RISE OF 6" MAXIMUM AND A RUNNING SLOPE OF BETWEEN 1:10 AND 1:8 IS PERMITTED FOR A RISE OF 3" MAXIMUM. WHERE COMPLIANCE WITH THE REQUIREMENTS FOR A CROSS SLOPE CANNOT BE FULLY MET, THE MINIMUM FEASIBLE CROSS SLOPE SHALL BE PROVIDED.

RAMP RUNNING SLOPE IS NOT REQUIRED TO EXCEED 8' IN LENGTH, EXCEPT AT SITES WHERE THE PLANS SPECIFY A GREATER LENGTH.

4. IF A CURB RAMP IS LOCATED WHERE PEDESTRIANS MUST WALK ACROSS THE RAMP, THEN THE WALK SHALL HAVE TRANSITION SLOPES TO THE RAMP; THE MAXIMUM SLOPE OF THE TRANSITIONS SHALL BE 1:12. RAMPS WITH CURB RETURNS MAY BE USED AT LOCATIONS WHERE OTHER IMPROVEMENTS PROVIDE GUIDANCE AWAY FROM THAT PORTION OF THE CURB PERPENDICULAR TO THE SIDEWALK; IMPROVEMENTS FOR GUIDANCE ARE NOT REQUIRED AT CURB RAMPS FOR LINEAR PEDESTRIAN TRAFFIC.

* AMENDED FROM FDOT INDEX 304

DATE: JAN.'82	SCALE: N.T.S.	ADA CURB RAMPS (FOR DETAILS C4.2 - C4.9)	C 4.1 1 OF 2
REVISED: MARCH '09	DRAWN BY:		



**CITY OF FORT LAUDERDALE
OFFICE OF THE CITY ENGINEER**

ADA CURB RAMPS GENERAL NOTES *: (CONT'D)

5. CURB RAMP DETECTABLE WARNING SURFACE SHALL EXTEND THE FULL WIDTH OF THE RAMP AND IN THE DIRECTION OF TRAVEL 24" FROM THE BACK OF THE CURB. DETECTABLE WARNING SURFACES SHALL BE VANGUARD, ARMOR TILE, OR APPROVED EQUAL.

6. WHERE A RAMP IS CONSTRUCTED WITHIN EXISTING EXISTING CURB, CURB AND GUTTER, AND/OR SIDEWALK, THE EXISTING CURB OR CURB AND GUTTER SHALL BE REMOVED TO THE NEAREST JOINT BEYOND THE CURB TRANSITIONS OR TO THE EXTENT THAT NO REMAINING SECTION OF CURB OR CURB AND GUTTER IS LESS THAN 5' LONG. THE EXISTING SIDEWALK SHALL BE REMOVED TO THE NEAREST JOINT BEYOND THE TRANSITION SLOPE OR WALK AROUND OR TO THE EXTENT THAT NO REMAINING SECTION OF SIDEWALK IS LESS THAN 5' LONG.

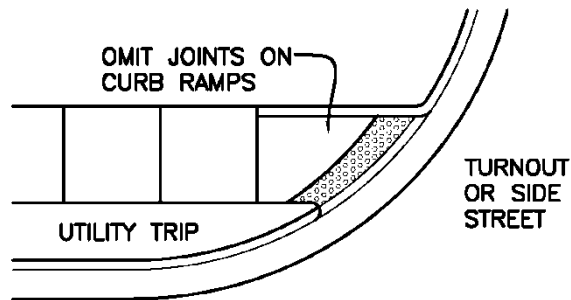
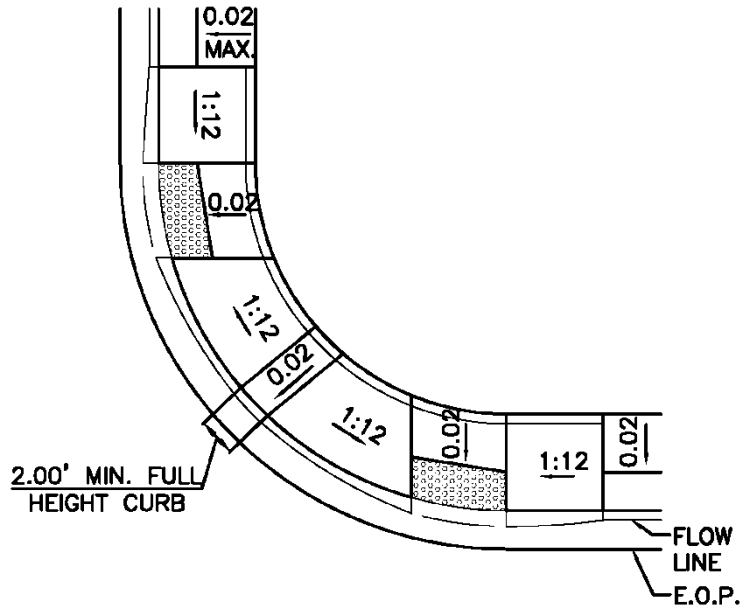
7. DETECTABLE WARNING SURFACE COLOR SHALL CONTRAST WITH SURROUNDING SURFACE AS DIRECTED BY CITY ENGINEER (DEFAULT COLOR IS YELLOW).

* AMENDED FROM FDOT INDEX 304

DATE: JAN. '82	SCALE: N.T.S.	ADA CURB RAMPS (FOR DETAILS C4.2 - C4.9)	C 4.1 2 OF 2
REVISED: MARCH '09	DRAWN BY:		



CITY OF FORT LAUDERDALE
OFFICE OF THE CITY ENGINEER



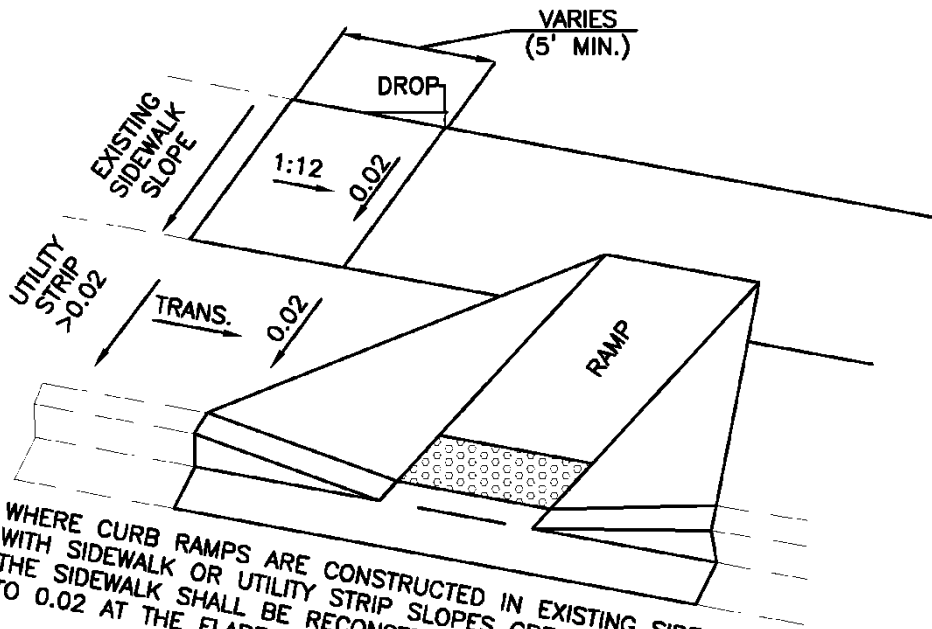
LINEAR SIDEWALK RAMPS *

* AMENDED FROM FDOT INDEX 304

DATE: JAN. '82	SCALE: N.T.S.	TYPICAL PLACEMENT OF PUBLIC SIDEWALK CURB RAMPS AT CURBED RETURNS	C 4.2 1 OF 2
REVISED: MARCH '09	DRAWN BY:		



CITY OF FORT LAUDERDALE
OFFICE OF THE CITY ENGINEER



WHERE CURB RAMPS ARE CONSTRUCTED IN EXISTING SIDEWALKS WITH SIDEWALK OR UTILITY STRIP SLOPES GREATER THAN 0.02, THE SIDEWALK SHALL BE RECONSTRUCTED TO REDUCE THE SLOPES TO 0.02 AT THE FLARE POINT.

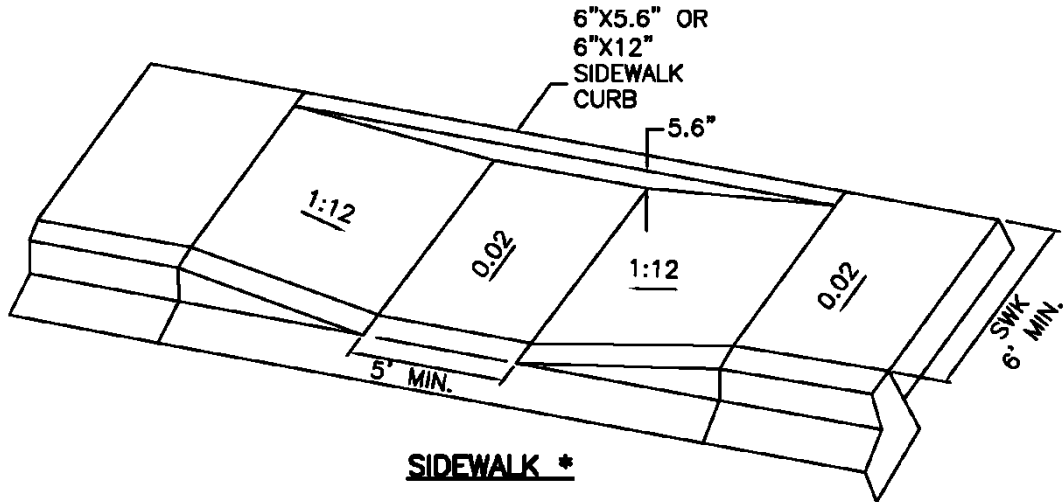
SIDEWALK / UTILITY STRIP *
TRANSITION

* AMENDED FROM FDOT INDEX 304

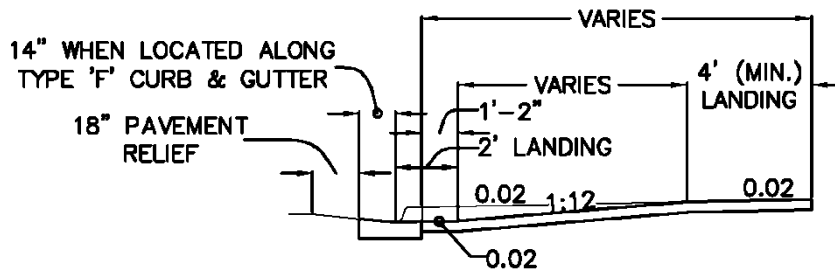
DATE: JAN. '82	SCALE: N.T.S.	TYPICAL PLACEMENT OF PUBLIC SIDEWALK	C
REVISED: MARCH '09	DRAWN BY:		



CITY OF FORT LAUDERDALE
OFFICE OF THE CITY ENGINEER



SIDEWALK *



**SECTION THROUGH RAMP RUN AND LANDINGS WITH *
 UPPER LANDING AT NORMAL SIDEWALK ELEVATION**

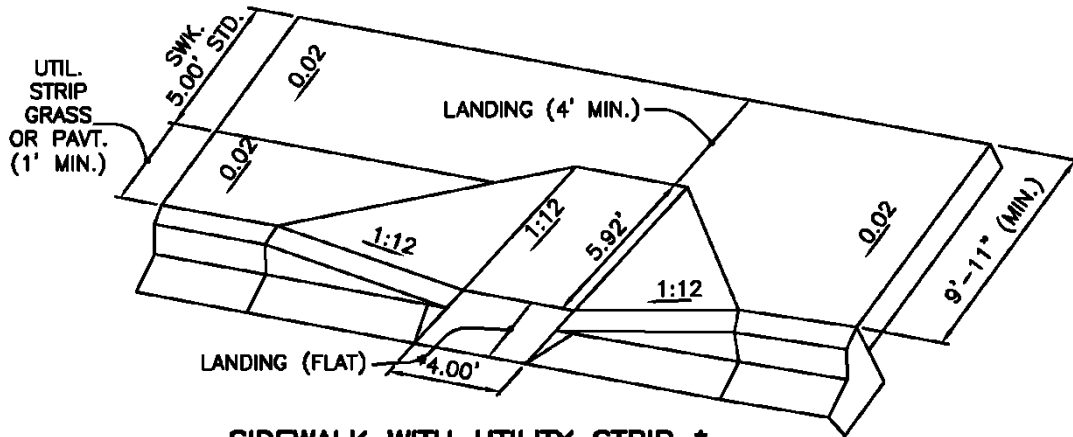
* AMENDED FROM FDOT INDEX 304

DATE: JAN. '81	SCALE: N.T.S.	DIMENSIONAL FEATURES FOR PUBLIC SIDEWALK RAMPS WHERE RAMP AND LANDING DEPTH ARE NOT RESTRICTED BY RW	C 4.3
REVISED: MARCH '09	DRAWN BY:		



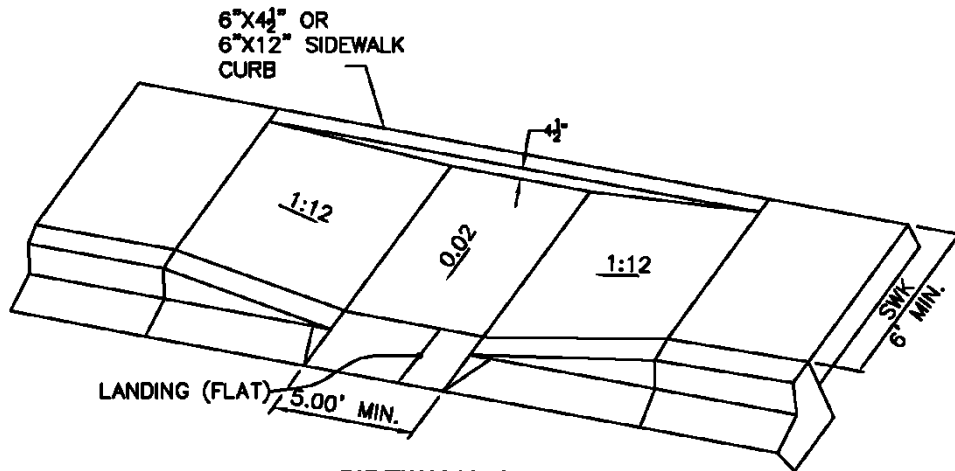
CITY OF FORT LAUDERDALE

OFFICE OF THE CITY ENGINEER



SIDEWALK WITH UTILITY STRIP *

*MAY BE REDUCED TO 3' IN RESTRICTED CONDITIONS



SIDEWALK *

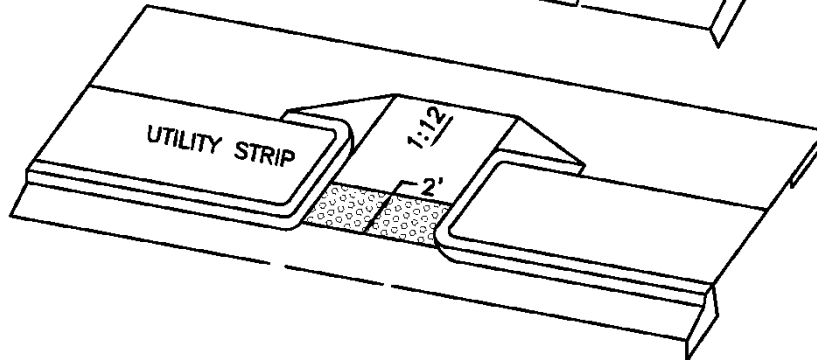
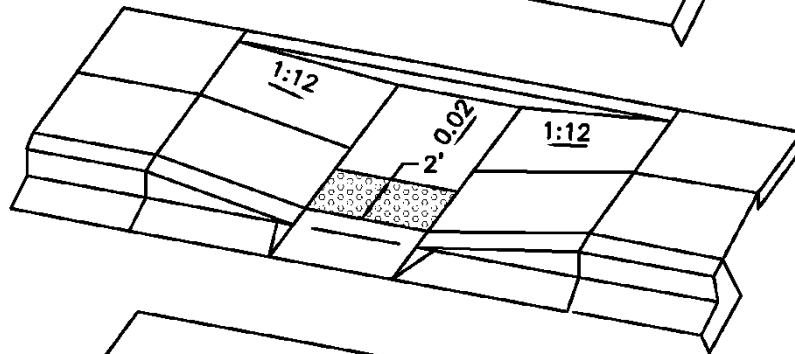
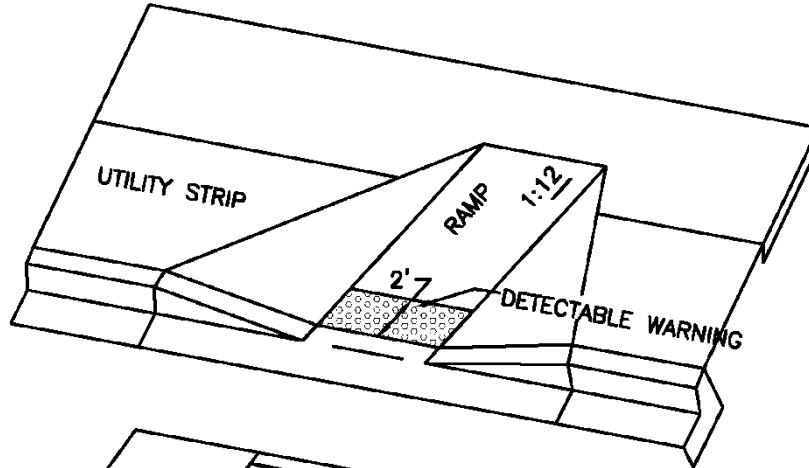
* AMENDED FROM FDOT INDEX 304

DATE:	JAN. '82	SCALE:	DIMENSIONAL FEATURES FOR PUBLIC	C 4.4
REVISID:		N.T.S.	SIDEWALK CURB RAMPS WHERE RAMP	
MARCH '09		DRAWN BY:	AND LANDING DEPTH ARE RESTRICTED BY R/W	



CITY OF FORT LAUDERDALE

OFFICE OF THE CITY ENGINEER



* AMENDED FROM FDOT INDEX 304

DATE: OCT. '08

SCALE:
N.T.S.

TYPICAL PLACEMENT OF DETECTABLE

C

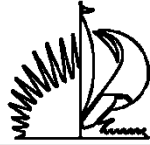
REVISED:
MARCH '09

DRAWN BY:
W.D.

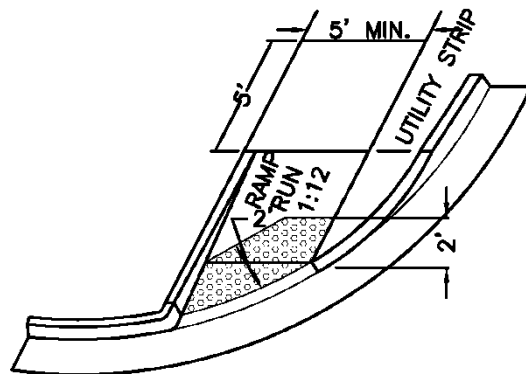
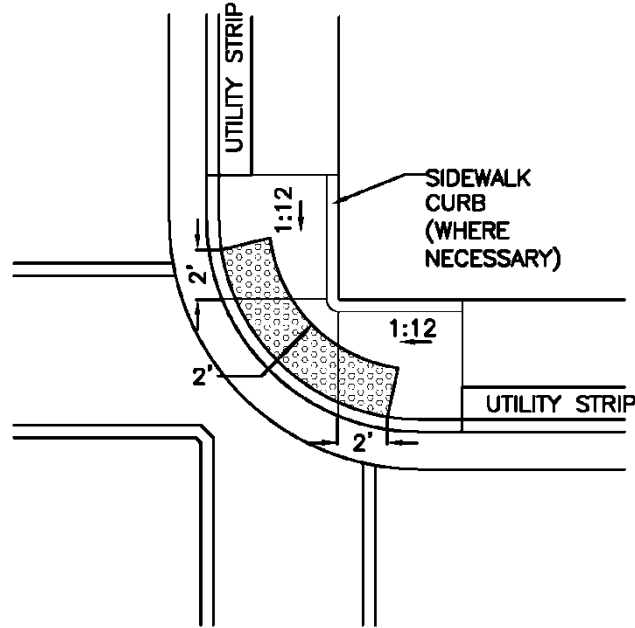
WARNING ON CURB RAMPS

4.5
1 OF 2

DETAILED SPECIFICATIONS
PROJECT 12518
ANNUAL ASPHALT MILL AND RESURFACING



CITY OF FORT LAUDERDALE
OFFICE OF THE CITY ENGINEER



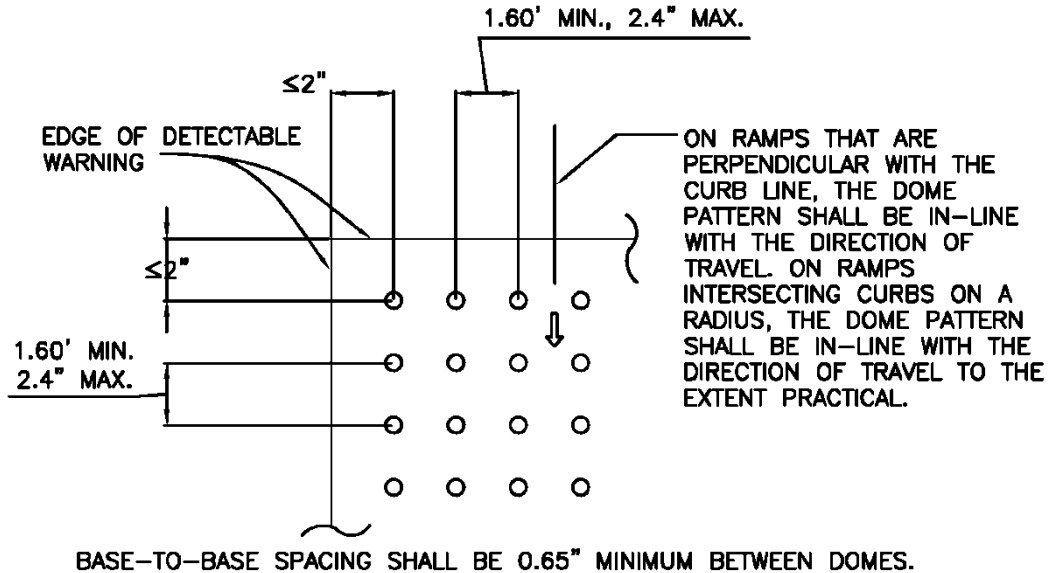
* AMENDED FROM FDOT INDEX 304

DATE: OCT. '08	SCALE: N.T.S.	TYPICAL PLACEMENT OF DETECTABLE	C
REVISED: MARCH '09	DRAWN BY: W.D.	WARNING ON CURB RAMPS	4.5 2 OF 2

DETAILED SPECIFICATIONS
PROJECT 12518
ANNUAL ASPHALT MILL AND RESURFACING

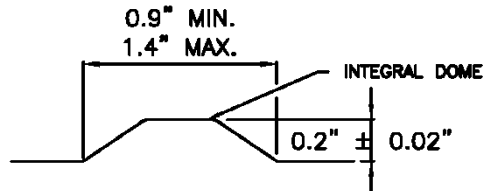


CITY OF FORT LAUDERDALE
OFFICE OF THE CITY ENGINEER



BASE-TO-BASE SPACING SHALL BE 0.65' MINIMUM BETWEEN DOMES.

PLAN VIEW *



THE TOP WIDTH OF THE DOME SHALL BE A MINIMUM OF 50% AND A MAXIMUM OF 65% OF THE BASE DIAMETER.

NOTE: **TRUNCATED DOME ***

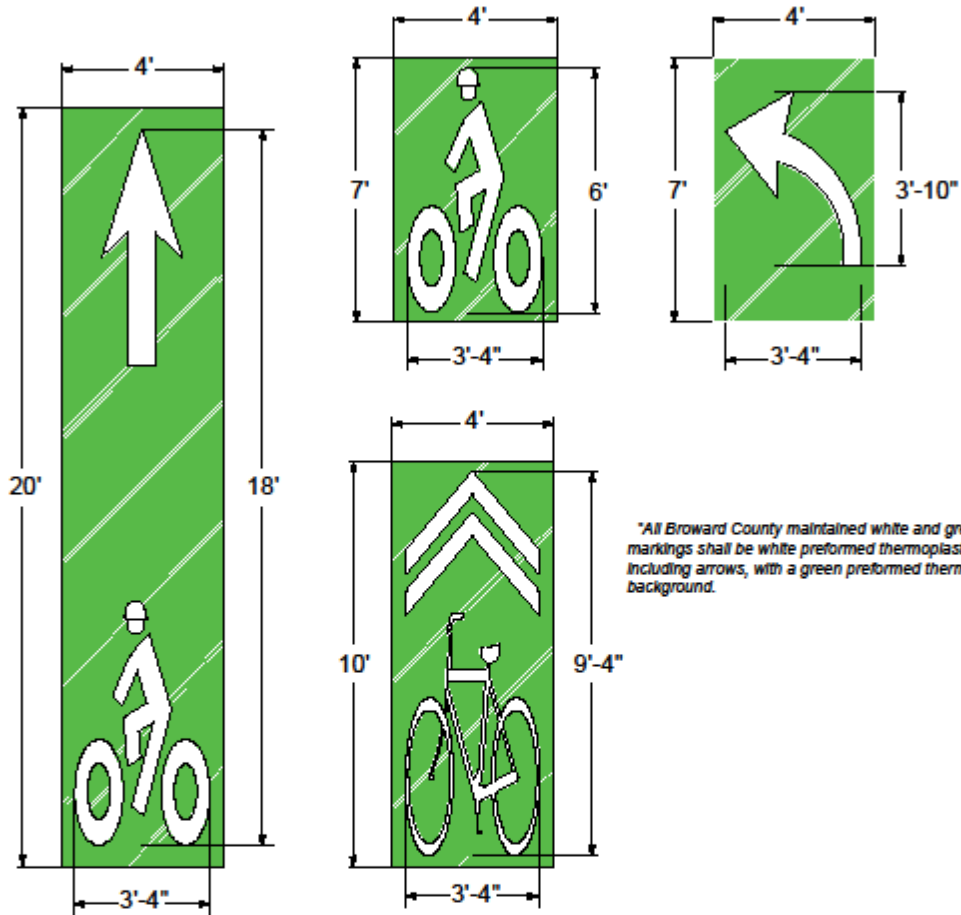
ALL SIDEWALK CURB RAMPS SHALL HAVE DETECTABLE WARNING SURFACE THAT EXTEND THE FULL WIDTH OF RAMP AND IN THE DIRECTION OF TRAVEL 24 INCHES FROM THE BACK OF THE CURB.

* AMENDED FROM FDOT INDEX 304

DATE:	OCT. '08	SCALE:	N.T.S.	CURB RAMP DETECTABLE	C
REVISED:	MARCH '09	DRAWN BY:	W.D.	WARNING DETAIL	4.6

**DETAILED SPECIFICATIONS
PROJECT 12518
ANNUAL ASPHALT MILL AND RESURFACING**

BICYCLE PAVEMENT MARKING STANDARDS



**All Broward County maintained white and green bicycle markings shall be white preformed thermoplastic symbols, including arrows, with a green preformed thermoplastic background.*

NOTES:

1. The preformed thermoplastic markings shall meet state specifications and be approved for use by the appropriate maintaining agency. Green and white preformed thermoplastic pavement markings must be on the FDOT APL Specification 523 for green and 711 for white preformed thermoplastic markings.
2. The surface of the preformed thermoplastic material shall contain factory applied non-skid material with a minimum hardness of 8 (Mohs Scale). Upon application the material shall provide a minimum skid resistance value of 60 BPN when tested according to ASTM E 303.
3. The material must be supplied at a minimum thickness of 90 mils (2.29 mm) or 125 mils (3.15 nun).
4. The material must contain a minimum of thirty percent (30%) intermixed graded glass beads by weight. The intermixed beads shall be clear and transparent. No more than twenty percent (20%) shall consist of irregular fused spheroids or silica.
5. The materials shall be applied using the propane torch method recommended by the manufacturer. The material must be applied without any preheating of the pavement to a specific temperature. For concrete application, a compatible primer sealer may be applied before application to assure proper adhesion.



**PUBLIC WORKS DEPARTMENT
TRAFFIC ENGINEERING DIVISION**

BICYCLE PAVEMENT MARKING STANDARDS	
REVISION: 10-23-15	SCALE: NTS
	DESIGN BY: Carmelo Castozolo, P.E.
	DRAWN BY: Stephen Ramonier
SHEET 1 OF 1	CHECKED BY: Andrew Sebo, P.E., PTOE

Event 266 - Annual Asphalt Mill & Resurfacing

No.	Title	Description	Quantity	Unit
1	Mobilization	Mobilization, Transportation, Demobilization, Project signage & other fixed costs for projects with task order asphalt quantity less than 3,000 square yards	10	each
2	Paving (> 3000 Sq. Yds.)	Furnish all materials and equipment to install Florida Department of Transportation Type III asphaltic concrete surface (at one inch depth) using not more than 25% by weight of total aggregates of reclaimed asphalt on existing paved and newly-constructed streets as specified herein, including cut-backs where necessary. This item also includes maintenance of traffic preparation, routing, and setup for task order asphalt quantity greater than 3000 Square yards	87,000	square yard
3	Paving (< 3000 Sq. Yds.)	Furnish all materials and equipment to install Florida Department of Transportation Type III asphaltic concrete surface (at one inch depth) using not more than 25% by weight of total aggregates of reclaimed asphalt on existing paved and newly-constructed streets as specified herein, including cut-backs where necessary. The price for this item is subjected to adjust semi-annually as described in special conditions section. The price for this item is subjected to adjust semi-annually as described in special conditions section. Mobilization for this item for task order asphalt quantity less than 3000 square yards will be paid for under item 1	2500	square yard
4	Paving (Type S-3)	Furnish all materials and equipment to install Type S-3 asphaltic concrete leveling course (as determined by the engineering inspector) using not more than 25% by weight of total aggregates of reclaimed asphalt. The price for this item is subjected to adjust semi-annually as described in special conditions section. This item also includes maintenance of traffic preparation, routing, and setup.	50	ton
5	Paving (SP 9.5)	Furnish all materials and equipment to install Florida Department of Transportation SP 9.5 Superpave Asphaltic Concrete including cut-backs where necessary. The price for this item is subjected to adjust semi-annually as described in special conditions section. Maintenance of traffic preparation, routing, and setup will be paid for under item 1	200	ton
6	Paving (SP12.5)	Furnish all materials and equipment to install Florida Department of Transportation SP 12.5 Superpave Asphaltic Concrete including cut-backs where necessary. The price for this item is subjected to adjust semi-annually as described in special conditions section. Maintenance of traffic preparation, routing, and setup will be paid for under item 1	200	ton
7	Paving- Streets (colored asphalt- Stamped Asphalt)	Furnish all materials labor and equipment to stamp and paint existing or newly installed asphalt. The color and pattern of stamped asphalt to be determined by the Project Manager. Paint shall be StreetBond or approved equal.	100	square yard
8	Paving (colored asphalt- Stamped Asphalt)	Furnish all materials labor and equipment to stamp and paint existing or newly installed asphalt. The color and pattern of stamped asphalt to be determined by the Project Manager. Paint shall be StreetBond or approved equal.	100	square yard
9	Tack Coat	Furnish all materials, labor and equipment to apply tack coat as described in special conditions section.	7000	gallon
10	Prime Coat	Furnish all materials, labor and equipment to apply prime coat as described in special conditions section, including sanding	200	gallon
11	Milling (1-inch)	Furnish all materials, labor and equipment to mill and dispose of existing asphalt pavement to a depth of one inch	87,000	square yard
12	Milling (2-inch)	Furnish all materials, labor and equipment to mill and dispose of existing asphalt pavement to a depth of two inches	2000	square yard
13	Pavement marking and signage (6 -inch double yellow)	Furnish all materials, labor and equipment to install new 6 inch double yellow thermoplastic. This item includes temporary painting.	4500	linear foot
14	Pavement marking and signage (6-inch single yellow)	Furnish all materials, labor and equipment to install new 6 inch single yellow thermoplastic. This item includes temporary painting.	500	linear foot
15	Pavement marking and signage (6-inch single white)	Furnish all materials, labor and equipment to install new 6 inch single white thermoplastic. This item includes temporary painting.	5000	linear foot
16	Pavement marking and signage (8-inch single yellow)	Furnish all materials, labor and equipment to install new 8 inch single yellow thermoplastic. This item includes temporary painting.	500	linear foot
17	Pavement marking and signage (12-inch single white)	Furnish all materials, labor and equipment to install new 12 inch single white thermoplastic. This item includes temporary painting.	500	linear foot
18	Pavement marking and signage (18-inch single white)	Furnish all materials, labor and equipment to install new 18 inch single white thermoplastic. This item includes temporary painting.	500	linear foot
19	Pavement marking and signage (24-inch stop bar white)	Furnish all materials, labor and equipment to install new 24 inch stop bar white thermoplastic. This item includes temporary painting.	1500	linear foot
20	Pavement marking and signage (6-inch striping)	Furnish all materials, labor and equipment to install new 6 inch temporary striping over milled areas. This item includes temporary painting.	2000	linear foot
21	Pavement marking and signage (24-inch stop bar)	Furnish all materials, labor and equipment to install new 24 inch temporary stop bar over milled areas. This item includes temporary painting.	500	linear foot
22	Pavement marking and signage (arrows)	Furnish all materials, labor, and equipment to apply 6-feet by 6-feet in length thermoplastic arrows, to speed hump (two arrows per location)	50	each
23	Pavement marking and signage (R.P.M.'s)	Furnish all materials, labor and equipment to install various colors and blue R.P.M.'s at fire hydrants where streets are overlaid per FDOT Standard Specification for Road and Bridge Construction 2010, Section 706.	1000	each
24	Pavement marking and signage (handicapped stalls)	Furnish all materials, labor and equipment to install painted handicapped stalls, including striping and symbols Per FDOT Index No.17346, Page 12	2	each
25	Pavement marking and signage (Thermoplastic pavement)	Furnish all materials, labor and equipment to install thermoplastic symbol pavement markings per FDOT Index No.17346, including temporary paint	10	each

No.	Title	Description	Quantity	Unit
26	Utility adjustment (Valve manhole covers)	Furnish all materials, labor and equipment to adjust the elevation of existing sanitary sewer, storm sewer, and/or air valve manhole covers to match the new resurfaced pavement elevation	10	each
27	Utility adjustment (Valve box covers)	Furnish all materials, labor and equipment to adjust the elevation of valve box covers to match the new resurfaced pavement elevation	10	each
28	Utility adjustment (Storm Inlet covers)	Furnish all materials, labor and equipment to adjust the elevation of existing storm inlets and storm inlet covers to match the new resurfaced pavement elevation	5	each
29	Utility adjustment (Sewer Clean-out covers)	Furnish all materials, labor and equipment to adjust the elevation of sewer clean-out covers to match the new resurfaced pavement elevation	10	each
30	ADA/Wheelchair Access Ramps	Furnish all materials, labor and equipment to construct concrete ADA/wheelchair access ramps, as well as reconstruction of base where required, to include clearing and grubbing. Concrete slab shall have 6 inches minimum thickness per detailed specifications. All ramps shall have detectable warning surface truncated dome epoxy-type installation Provide Armor Tile - Cast In Place or approved equal detectable warning surface on each ramp location also per detailed specifications.	40	each
31	Type "D" curb	Furnish all materials, labor and equipment to construct standard Type "D" curb; reconstruction and addition of limerock base where required. This item also includes clearing and grubbing, removal and proper disposal of existing curb. See detailed specifications.	100	linear foot
32	Drop curb	Furnish all materials, labor and equipment to construct standard Drop curb; reconstruction and addition of limerock base where required. This item also includes clearing and grubbing, removal and proper disposal of existing curb. See detailed specifications.	100	linear foot
33	Type "A" median curb	curb; reconstruction and addition of limerock base where required. This item also includes clearing and grubbing, removal and proper disposal of existing curb. See detailed specifications.	100	linear foot
34	Valley gutter	Furnish all materials, labor and equipment to construct standard Valley gutter; reconstruction and addition of limerock base where required. This item also includes clearing and grubbing, removal and proper disposal of existing curb. See detailed specifications.	100	linear foot
35	Type "F" curb	Furnish all materials, labor and equipment to construct standard Type "F" curb; reconstruction and addition of limerock base where required. This item also includes clearing and grubbing, removal and proper disposal of existing curb. See detailed specifications.	100	linear foot
36	Green cycle lane coating	Furnish all materials, labor and equipment to apply green color cycle lane coating. This item includes all work necessary to prepare existing asphalt pavement, approximately 500 square yards	500	square yard
37	Limerock Base (8-inch) Ref: typical details fro City reconstruction, if milling and overlay is not suitable to restore existing conditions	Furnish all materials, labor and equipment to install Furnish all materials, 8 inch thick compacted limerock base.	100	square yard
38	Limerock Base (12-inch) Ref: typical details for City reconstruction, if milling and overlay is not suitable to restore existing conditions	Furnish all materials, labor and equipment to install Furnish all materials, 12 inch thick compacted limerock base in 2 - 6 inch lifts	100	square yard
39	Clearing and grubbing	Furnish all materials, labor and equipment for clearing and grubbing	100	square foot
40	Bicycle Sharrows	Furnish all materials, labor and equipment to install thermoplastic sharrows. This item includes temporary painting.	20	each
41	Bicycle Symbols	Furnish all materials, labor and equipment to install thermoplastic symbols. This item includes temporary painting.	20	each
42	Speed Humps (Flat Top 22x24)	Furnish all materials, labor, and equipment to demolish and restore flat top profile speed humps, 22-feet long by 24-feet wide.	5	each
43	Speed Humps (Round Top 12x24)	Furnish all materials, labor, and equipment to demolish and restore rounded top profile speed humps, 12-feet long by 24-feet wide.	5	each
44	ADA ramps (see attached details with Bid)	Furnish all materials, labor and equipment to demolish and construct concrete ADA/wheelchair access ramps, as well as reconstruction of base where required, to include clearing and grubbing. Concrete slab shall have 6-inches minimum thickness. See detail C4.1-1, C4.1-2, and C4.3 on detail specifications. All ramps shall have detectable warning surface truncated dome epoxy-type installation. Provide Armor Tile - Cast In Place or approved equal detectable warning surface on each ramp location. See detail C4.6 on detail specifications.	10	each
45	Header curb (Streets)	Furnish all materials, labor and equipment to demolish and construct concrete header curbs per detail specifications, and reconstruction of base where required. This item also includes clearing and grubbing, removal and proper disposal of existing curb if applicable. See detail specifications.	500	linear foot
46	Header curb (Sidewalk)	Furnish all materials, labor and equipment to construct concrete header curbs per detail specifications, and reconstruction of base where required. This item also includes clearing and grubbing, removal and proper disposal of existing curb if applicable. See detail specifications.	500	linear foot

Lines 8 and 30 Deleted
Lines 1 unit of measure updated
Line 36 quantity and unit of measure updated
Lines 44 quantity updated

CITY OF FORT LAUDERDALE BID/PROPOSAL CERTIFICATION

Please Note: It is the sole responsibility of the bidder/proposer to ensure that their response is submitted electronically through the [City's on-line strategic sourcing platform](#) prior to the bid opening date and time listed. Paper bid submittals will not be accepted. All fields below must be completed. If the field does not apply to you, please note N/A in that field.

If you are a foreign corporation, you may be required to obtain a certificate of authority from the department of state, in accordance with Florida Statute §607.1501 (visit <http://www.dos.state.fl.us/>).

Company: (Legal Registration) _____ EIN (Optional): _____

Address: _____

City: _____ State: _____ Zip: _____

Telephone No.: _____ FAX No.: _____ Email: _____

Delivery: Calendar days after receipt of Purchase Order (**section 1.02 of General Conditions**): _____

Total Bid Discount (**section 1.05 of General Conditions**): _____

Check box if your firm qualifies for DBE (**section 1.09 of General Conditions**):

ADDENDUM ACKNOWLEDGEMENT - Proposer acknowledges that the following addenda have been received and are included in the proposal:

Addendum No.	Date Issued	Addendum No.	Date Issued	Addendum No.	Date Issued	Addendum No.	Date Issued
_____	_____	_____	_____	_____	_____	_____	_____
_____	_____	_____	_____	_____	_____	_____	_____
_____	_____	_____	_____	_____	_____	_____	_____
_____	_____	_____	_____	_____	_____	_____	_____

VARIANCES: If you take exception or have variances to any term, condition, specification, scope of service, or requirement in this competitive solicitation you must specify such exception or variance in the space provided below or reference in the space provided below all variances contained on other pages within your response. Additional pages may be attached if necessary. No exceptions or variances will be deemed to be part of the response submitted unless such is listed and contained in the space provided below. The City does not, by virtue of submitting a variance, necessarily accept any variances. If no statement is contained in the below space, it is hereby implied that your response is in full compliance with this competitive solicitation. If you do not have variances, simply mark N/A.

The below signatory hereby agrees to furnish the following article(s) or services at the price(s) and terms stated subject to all instructions, conditions, specifications addenda, legal advertisement, and conditions contained in the bid/proposal. I have read all attachments including the specifications and fully understand what is required. By submitting this signed proposal, I will accept a contract if approved by the City and such acceptance covers all terms, conditions, and specifications of this bid/proposal. The below signatory also hereby agrees, by virtue of submitting or attempting to submit a response, that in no event shall the City's liability for respondent's direct, indirect, incidental, consequential, special or exemplary damages, expenses, or lost profits arising out of this competitive solicitation process, including but not limited to public advertisement, bid conferences, site visits, evaluations, oral presentations, or award proceedings exceed the amount of Five Hundred Dollars (\$500.00). This limitation shall not apply to claims arising under any provision of indemnification or the City's protest ordinance contained in this competitive solicitation.

Submitted by:

Name (printed)

Signature

Date

Title

AFFIDAVIT OF COMPLIANCE WITH FOREIGN ENTITY LAWS
(Florida Statute- §287.138, 692.201, 692.202, 692.203, and 692.204)

The undersigned, on behalf of the entity listed below ("Entity"), hereby attests under penalty of perjury as follows:

1. Entity is not owned by the government of a foreign country of concern as defined in Section 287.138, Florida Statutes. (Source:§ 287.138(2)(a), Florida Statutes)
2. The government of a foreign country of concern does not have a controlling interest in Entity. (Source:§ 287.138(2)(b), Florida Statutes)
3. Entity is not organized under the laws of, and does not have a principal place of business in, a foreign country of concern. (Source: § 287.138(2)(c), Florida Statutes)
4. Entity is not owned or controlled by the government of a foreign country of concern, as defined in Section 692.201, Florida Statutes. (Source:§ 288.007(2), Florida Statutes)
5. Entity is not a partnership, association, corporation, organization, or other combination of persons organized under the laws of or having its principal place of business in a foreign country of concern, as defined in Section 692.201, Florida Statutes, or a subsidiary of such entity. (Source: § 288.007(2), Florida Statutes)
6. Entity is not a foreign principal, as defined in Section 692.201, Florida Statutes. (Source: § 692.202(5)(a)(I), Florida Statutes)
7. Entity is in compliance with all applicable requirements of Sections 692.202, 692.203, and 692.204, Florida Statutes.
8. **(Only applicable if purchasing real property)** Entity is not a foreign principal prohibited from purchasing the subject real property. Entity is either (a) not a person or entity described in Section 692.204(1)(a), Florida Statutes, or (b) authorized under Section 692.204(2), Florida Statutes, to purchase the subject property. Entity is in compliance with the requirements of Section 692.204, Florida Statutes. (Source: §§ 692.203(6)(a), 692.204(6)(a), Florida Statutes)
9. The undersigned is authorized to execute this affidavit on behalf of Entity.

Name: _____ Title: _____ Entity: _____

Signature: _____ Date: _____

NOTARY PUBLIC ACKNOWLEDGEMENT SECTION

STATE OF _____

COUNTY OF _____

The foregoing instrument was acknowledged before me, by means of physical presence or online notarization, this ____ day of _____, 20__, by _____, as _____ for _____, who is personally known to me or who has produced _____ as identification.

Notary Public Signature: _____

(Notary Seal)

Print Name: _____

My commission expires: _____



NON-COLLUSION STATEMENT

By signing this offer, the vendor/contractor certifies that this offer is made independently and *free* from collusion. Vendor shall disclose below any City of Fort Lauderdale, FL officer or employee, or any relative of any such officer or employee who is an officer or director of, or has a material interest in, the vendor's business, who is in a position to influence this procurement.

Any City of Fort Lauderdale, FL officer or employee who has any input into the writing of specifications or requirements, solicitation of offers, decision to award, evaluation of offers, or any other activity pertinent to this procurement is presumed, for purposes hereof, to be in a position to influence this procurement.

For purposes hereof, a person has a material interest if they directly or indirectly own more than 5 percent of the total assets or capital stock of any business entity, or if they otherwise stand to personally gain if the contract is awarded to this vendor.

In accordance with City of Fort Lauderdale, FL Policy and Standards Manual, 6.10.8.3,

3.3. City employees may not contract with the City through any corporation or business entity in which they or their immediate family members hold a controlling financial interest (e.g., ownership of five (5) percent or more).

3.4. Immediate family members (spouse, parents, and children) are also prohibited from contracting with the City subject to the same general rules.

Failure of a vendor to disclose any relationship described herein shall be reason for debarment in accordance with the provisions of the City Procurement Code.

<u>NAME</u>	<u>RELATIONSHIPS</u>
_____	_____
_____	_____

In the event the vendor does not indicate any names, the City shall interpret this to mean that the vendor has indicated that no such relationships exist.

Authorized Signature

Title

Name (Printed)

Date



**CONTRACTOR'S CERTIFICATE OF COMPLIANCE WITH
NON-DISCRIMINATION PROVISIONS OF THE CONTRACT**

The completed and signed form should be returned with the Contractor's submittal. If not provided with submittal, the Contractor must submit within three business days of City's request. Contractor may be deemed non-responsive for failure to fully comply within stated timeframes.

Pursuant to City Ordinance Sec. 2-17(a)(i)(ii), bidders must certify compliance with the Non-Discrimination provision of the ordinance.

- A. Contractors doing business with the City shall not discriminate against their employees based on the employee's race, color, religion, gender (including identity or expression), marital status, sexual orientation, national origin, age, disability, or any other protected classification as defined by applicable law.

Contracts. Every Contract exceeding \$100,000, or otherwise exempt from this section shall contain language that obligates the Contractor to comply with the applicable provisions of this section.

The Contract shall include provisions for the following:

- (i) The Contractor certifies and represents that it will comply with this section during the entire term of the contract.
- (ii) The failure of the Contractor to comply with this section shall be deemed to be a material breach of the contract, entitling the City to pursue any remedy stated below or any remedy provided under applicable law.

Authorized Signature

Print Name and Title

Date

QUESTIONNAIRE SHEET

PLEASE PRINT OR TYPE:

Firm Name:

President

Business Address:

Telephone:

Fax:

E-Mail Address:

What was the last project of this nature which you completed? Include the year, description, and contract value.

The following are named as three corporations and representatives of those corporations for which you have performed work similar to that required by this contract, and which the City may contact as your references (include addresses, telephone numbers and e-mail addresses). Include the project name, year, description, and contract value.

<input type="text"/>
<input type="text"/>
<input type="text"/>

How many years has your organization been in business?

Have you ever failed to complete work awarded to you; if so, where and why?

The name of the qualifying agent for the firm and his position is:

Certificate of Competency Number of Qualifying Agent:

Effective Date: Expiration Date:

Licensed in:

Engineering Contractor's License #
(County/State)

Expiration Date:

NOTE: To be considered for award of this contract, the bidder must submit a financial statement upon request.

NOTE: Contractor must have proper licensing and shall provide copy of same with his proposal.

QUESTIONNAIRE SHEET

1. Have you personally inspected the proposed work and have you a complete plan for its performance?

2. Will you sublet any part of this work? If so, list the portions or specialties of the work that you will.

a)

b)

c)

d)

e)

f)

g)

3. What equipment do you own that is available for the work?

4. What equipment will you purchase for the proposed work?

5. What equipment will you rent for the proposed work?

SPECIFIC REFERENCES FORM

The contractor shall have previous construction experience in the State of Florida with projects of similar scope and scale (or larger) as specified in Section 8, Special Conditions. Complete this form in its entirety. **Note: Do not include proposed team members or parent/subsidiary companies as references in your submittal.**

PRIME BIDDER'S NAME: _____

CLIENT NO. 1 – Name of firm to be contacted: _____

Address: _____

Contact Person: _____

Phone No: _____

Contact E-Mail Address: _____

Project Performance Period: _____ to _____
Dates should be in mm/yy format

Project Name: _____

Location of Project: _____

Description of the overall scope: _____

Description of work that was self-performed by Bidder: _____

SPECIFIC REFERENCES FORM

CLIENT NO. 2 – Name of firm to be contacted: _____

Address: _____

Contact Person: _____

Phone No: _____

Contact E-Mail Address: _____

Project Performance Period: _____ to _____
Dates should be in mm/yy format

Project Name: _____

Location of Project: _____

Description of the overall scope: _____

Description of work that was self-performed by Bidder: _____

SPECIFIC REFERENCES FORM

CLIENT NO. 3 – Name of firm to be contacted: _____

Address: _____

Contact Person: _____

Phone No: _____

Contact E-Mail Address: _____

Project Performance Period: _____ to _____
Dates should be in mm/yy format

Project Name: _____

Location of Project: _____

Description of the overall scope: _____

Description of work that was self-performed by Bidder: _____

TRENCH SAFETY

Bidder acknowledges that included in the appropriate bid items of his bid and in the Total Bid Price are costs for complying with the Florida Trench Safety Act, Florida Statutes 553.60 – 553.64. The bidder further identifies the costs of such compliance to be summarized below:

Trench Safety Measure (Description)	Units of Measure (LF/SF)	Unit (Quantity)	Unit Cost	Extended Cost
A.				
B.				
C.				
D.				
Total:				

The bidder certifies that all trench excavation done within his control in excess of five feet (5') in depth shall be in accordance with the Occupational Safety and Health Administration's excavation safety standards, C.F.R. s. 1926.650 Subpart P., and the Florida Trench Safety Act, Florida Statutes 553.60-553.64.

Failure to complete the above may result in the bid being declared non-responsive.

DATE:

(SIGNATURE)

STATE OF: COUNTY OF:

PERSONALLY APPEARED BEFORE ME, the undersigned authority,

(Name of Individual Signing)

who, after first being duly sworn by me,
 affixed his/her signature in the space provided above on this
 day of , 20 .

NOTARY PUBLIC

My Commission Expires:



CONTRACT PAYMENT METHOD

The City of Fort Lauderdale has implemented a Procurement Card (P-Card) program which changes how payments are remitted to its vendors. The City has transitioned from traditional paper checks to credit card payments via MasterCard or Visa as part of this program.

This allows you as a vendor of the City of Fort Lauderdale to receive your payments fast and safely. No more waiting for checks to be printed and mailed.

In accordance with the contract, payments on this contract will be made utilizing the City's P-Card (MasterCard or Visa). Accordingly, bidders must presently have the ability to accept the credit card or take whatever steps necessary to implement acceptance of a card before the start of the contract term, or contract award by the City.

All costs associated with the Contractor's participation in this purchasing program shall be borne by the Contractor. The City reserves the right to revise this program as necessary.

By signing below, you agree with these terms.

Please indicate which credit card payment you prefer:

____ MasterCard

____ Visa

Company Name

Name (Printed)

Signature

Title

Date



E-VERIFY AFFIRMATION STATEMENT

Solicitation/Bid /Contract No: _____

Project Description:

Contractor/Proposer/Bidder acknowledges and agrees to utilize the U.S. Department of Homeland Security's E-Verify System to verify the employment eligibility of,

- A. all persons employed by Contractor/Proposer/Bidder to perform employment duties within Florida during the term of the Contract, and,
- B. all persons (including subcontractors/vendors) assigned by Contractor/Proposer/Bidder to perform work pursuant to the Contract.

The Contractor/Proposer/Bidder acknowledges and agrees that use of the U.S. Department of Homeland Security's E-Verify System during the term of the Contract is a condition of the Contract.

Contractor/Proposer/ Bidder Company Name: _____

Authorized Company Person's Signature: _____

Authorized Company Person's Title: _____

Date: _____

Executive Summary Report

Of

Event: 266-5 - Annual Asphalt Mill and Resurfacing

Buyer: PAULETTE HEMMINGS TURNER

Date Range: 04/03/2024 04:00:00 PM - 05/16/2024 02:00:00 PM

Suppliers Notified: 4

**Notified Suppliers
Responding:** 3

**All Suppliers
Responding:** 4

Suppliers Responding

Supplier	Contact	Phone Number	E Mail	City	State Or Province	Total Bid Amount	Total Awarded	Response Attachment Exists
Weekley Asphalt Paving, Inc.	Daniel Weekley	305-680-8005	gail@weekleyasp.com	Pembroke Oines	FL	1,682,250.00	0.00	No
M&M ASPHALT MAINTENANCE INC	JEFFREY COHEN	561-588-0949	PUBLICWORKS@ALLCO UNTYPAVING.COM	DELRAY BEACH	FL	1,454,830.02	0.00	Yes
FG Construction LLC	Bao Dang	954-766-4053	bao@fgconstruction.com	Tamarac	FL	2,558,900.00	0.00	Yes
Janice M. Riley Inc dba The Paving Lady	Mauro Comuzzi	561-572-2600	estimating@pavinglady.com	Boynton Beach	FL	1,926,467.50	0.00	Yes

Event Lines And Responses

Item	Description	Unit of Measure	Quantity
MOBILIZATION-	Mobilization, Transportation, Demobilization, Project signage.	EA	10.0000
	4/30/2023		
	Mobilization UOM changed from LS to EA		

continued...

Responses

Supplier	Bid Quantity	Unit of Measure	Unit Price	Award Amount
Weekley Asphalt Paving, Inc.	10.0000	EA	5,000.00000000	0.00
M&M ASPHALT MAINTENANCE INC	10.0000	EA	5,500.00000000	0.00
FG Construction LLC	10.0000	EA	3,000.00000000	0.00
Janice M. Riley Inc dba The Paving Lady	10.0000	EA	15,000.00000000	0.00

Item	Description	Unit of Measure	Quantity
PAVING (> 3000 SQ. YDS.)-	Furnish all materials and equipment to install Florida Depar	SY	87,000.0000

Responses

Supplier	Bid Quantity	Unit of Measure	Unit Price	Award Amount
Weekley Asphalt Paving, Inc.	87,000.0000	SY	9.00000000	0.00
M&M ASPHALT MAINTENANCE INC	87,000.0000	SY	8.35000000	0.00
FG Construction LLC	87,000.0000	SY	12.00000000	0.00
Janice M. Riley Inc dba The Paving Lady	87,000.0000	SY	9.75000000	0.00

Item	Description	Unit of Measure	Quantity
PAVING (< 3000 SQ. YDS.)-	Furnish all materials and equipment to install Florida Depar	SY	2,500.0000

Responses

Supplier	Bid Quantity	Unit of Measure	Unit Price	Award Amount
Weekley Asphalt Paving, Inc.	2,500.0000	SY	12.00000000	0.00
M&M ASPHALT MAINTENANCE INC	2,500.0000	SY	11.25000000	0.00
FG Construction LLC	2,500.0000	SY	20.00000000	0.00
Janice M. Riley Inc dba The Paving Lady	2,500.0000	SY	11.00000000	0.00

continued...

Item	Description	Unit of Measure	Quantity
PAVING (TYPE S-3)-	Furnish all materials and equipment to install Type S-3 asp	TN	50.0000

Responses

Supplier	Bid Quantity	Unit of Measure	Unit Price	Award Amount
Weekley Asphalt Paving, Inc.	50.0000	TN	180.00000000	0.00
M&M ASPHALT MAINTENANCE INC	50.0000	TN	225.00000000	0.00
FG Construction LLC	50.0000	TN	600.00000000	0.00
Janice M. Riley Inc dba The Paving Lady	50.0000	TN	190.00000000	0.00

Item	Description	Unit of Measure	Quantity
PAVING (SP 9.5)-	Furnish all materials and equipment to install Florida Depar	TN	200.0000

Responses

Supplier	Bid Quantity	Unit of Measure	Unit Price	Award Amount
Weekley Asphalt Paving, Inc.	200.0000	TN	180.00000000	0.00
M&M ASPHALT MAINTENANCE INC	200.0000	TN	180.00000000	0.00
FG Construction LLC	200.0000	TN	400.00000000	0.00
Janice M. Riley Inc dba The Paving Lady	200.0000	TN	185.00000000	0.00

Item	Description	Unit of Measure	Quantity
PAVING (SP12.5)-	Furnish all materials and equipment to install Florida Depar	TN	200.0000

Responses

Supplier	Bid Quantity	Unit of Measure	Unit Price	Award Amount
Weekley Asphalt Paving, Inc.	200.0000	TN	180.00000000	0.00
M&M ASPHALT MAINTENANCE INC	200.0000	TN	180.00000000	0.00
FG Construction LLC	200.0000	TN	400.00000000	0.00
Janice M. Riley Inc dba The Paving Lady	200.0000	TN	182.80000000	0.00

continued...

Responses

Supplier	Bid Quantity	Unit of Measure	Unit Price	Award Amount
Janice M. Riley Inc dba The Paving Lady	200.0000	TN	182.80000000	0.00

Item	Description	Unit of Measure	Quantity
PAVING- STREETS (COLORED ASPHALT-	Furnish all materials labor and equipment to stamp and paint	SY	100.0000

Responses

Supplier	Bid Quantity	Unit of Measure	Unit Price	Award Amount
Weekley Asphalt Paving, Inc.	100.0000	SY	190.00000000	0.00
M&M ASPHALT MAINTENANCE INC	100.0000	SY	130.00000000	0.00
FG Construction LLC	100.0000	SY	400.00000000	0.00
Janice M. Riley Inc dba The Paving Lady	100.0000	SY	155.85000000	0.00

Item	Description	Unit of Measure	Quantity
PAVING (COLORED ASPHALT- STAMPED-	Furnish all materials labor and equipment to stamp and paint. Added 4/30/2024. Duplicated with line 7. - No costing required	SY	100.0000

Responses

Supplier	Bid Quantity	Unit of Measure	Unit Price	Award Amount
Weekley Asphalt Paving, Inc.	0.0000	SY	0.00000000	0.00
M&M ASPHALT MAINTENANCE INC	100.0000	SY	0.00010000	0.00
FG Construction LLC	100.0000	SY	400.00000000	0.00
Janice M. Riley Inc dba The Paving Lady	100.0000	SY	155.85000000	0.00

continued...

Item	Description	Unit of Measure	Quantity
TACK COAT-	Furnish all materials, labor and equipment to apply tack coa	GA	7,000.0000

Responses

Supplier	Bid Quantity	Unit of Measure	Unit Price	Award Amount
Weekley Asphalt Paving, Inc.	7,000.0000	GA	6.00000000	0.00
M&M ASPHALT MAINTENANCE INC	7,000.0000	GA	5.00000000	0.00
FG Construction LLC	7,000.0000	GA	10.00000000	0.00
Janice M. Riley Inc dba The Paving Lady	7,000.0000	GA	5.95000000	0.00

Item	Description	Unit of Measure	Quantity
PRIME COAT-	Furnish all materials, labor and equipment to apply prime co	GA	200.0000

Responses

Supplier	Bid Quantity	Unit of Measure	Unit Price	Award Amount
Weekley Asphalt Paving, Inc.	200.0000	GA	6.00000000	0.00
M&M ASPHALT MAINTENANCE INC	200.0000	GA	5.00000000	0.00
FG Construction LLC	200.0000	GA	10.00000000	0.00
Janice M. Riley Inc dba The Paving Lady	200.0000	GA	6.15000000	0.00

Item	Description	Unit of Measure	Quantity
MILLING (1-INCH)-	Furnish all materials, labor and equipment to mill and dispo	SY	87,000.0000

Responses

Supplier	Bid Quantity	Unit of Measure	Unit Price	Award Amount
Weekley Asphalt Paving, Inc.	87,000.0000	SY	3.00000000	0.00
M&M ASPHALT MAINTENANCE INC	87,000.0000	SY	2.55000000	0.00
FG Construction LLC	87,000.0000	SY	5.00000000	0.00
Janice M. Riley Inc dba The Paving Lady	87,000.0000	SY	2.50000000	0.00

continued...

Responses

Supplier	Bid Quantity	Unit of Measure	Unit Price	Award Amount
Janice M. Riley Inc dba The Paving Lady	87,000.0000	SY	2.50000000	0.00

Item	Description	Unit of Measure	Quantity
MILLING (2-INCH)-	Furnish all materials, labor and equipment to mill and dispo	SY	2,000.0000

Responses

Supplier	Bid Quantity	Unit of Measure	Unit Price	Award Amount
Weekley Asphalt Paving, Inc.	2,000.0000	SY	4.00000000	0.00
M&M ASPHALT MAINTENANCE INC	2,000.0000	SY	2.75000000	0.00
FG Construction LLC	2,000.0000	SY	7.00000000	0.00
Janice M. Riley Inc dba The Paving Lady	2,000.0000	SY	6.25000000	0.00

Item	Description	Unit of Measure	Quantity
PAVEMENT MARKING AND SIGNAGE (6-	Furnish all materials, labor and equipment to install new 6	LF	4,500.0000

Responses

Supplier	Bid Quantity	Unit of Measure	Unit Price	Award Amount
Weekley Asphalt Paving, Inc.	4,500.0000	LF	4.40000000	0.00
M&M ASPHALT MAINTENANCE INC	4,500.0000	LF	2.40000000	0.00
FG Construction LLC	4,500.0000	LF	8.00000000	0.00
Janice M. Riley Inc dba The Paving Lady	4,500.0000	LF	3.55000000	0.00

Item	Description	Unit of Measure	Quantity
PAVEMENT MARKING AND SIGNAGE (6--	Furnish all materials, labor and equipment to install new 6	LF	500.0000

continued...

Responses

Supplier	Bid Quantity	Unit of Measure	Unit Price	Award Amount
Weekley Asphalt Paving, Inc.	500.0000	LF	2.50000000	0.00
M&M ASPHALT MAINTENANCE INC	500.0000	LF	1.25000000	0.00
FG Construction LLC	500.0000	LF	6.00000000	0.00
Janice M. Riley Inc dba The Paving Lady	500.0000	LF	1.75000000	0.00

Item	Description	Unit of Measure	Quantity
PAVEMENT MARKING AND SIGNAGE (6--	Furnish all materials, labor and equipment to install new 6	LF	5,000.0000

Responses

Supplier	Bid Quantity	Unit of Measure	Unit Price	Award Amount
Weekley Asphalt Paving, Inc.	5,000.0000	LF	2.50000000	0.00
M&M ASPHALT MAINTENANCE INC	5,000.0000	LF	1.25000000	0.00
FG Construction LLC	5,000.0000	LF	6.00000000	0.00
Janice M. Riley Inc dba The Paving Lady	5,000.0000	LF	1.75000000	0.00

Item	Description	Unit of Measure	Quantity
PAVEMENT MARKING AND SIGNAGE (8--	Furnish all materials, labor and equipment to install new 8	LF	500.0000

Responses

Supplier	Bid Quantity	Unit of Measure	Unit Price	Award Amount
Weekley Asphalt Paving, Inc.	500.0000	LF	3.25000000	0.00
M&M ASPHALT MAINTENANCE INC	500.0000	LF	1.80000000	0.00
FG Construction LLC	500.0000	LF	7.00000000	0.00
Janice M. Riley Inc dba The Paving Lady	500.0000	LF	2.40000000	0.00

continued...

Item	Description	Unit of Measure	Quantity
PAVEMENT MARKING AND SIGNAGE (12-	Furnish all materials, labor and equipment to install new 12	LF	500.0000

Responses

Supplier	Bid Quantity	Unit of Measure	Unit Price	Award Amount
Weekley Asphalt Paving, Inc.	500.0000	LF	5.00000000	0.00
M&M ASPHALT MAINTENANCE INC	500.0000	LF	3.50000000	0.00
FG Construction LLC	500.0000	LF	8.00000000	0.00
Janice M. Riley Inc dba The Paving Lady	500.0000	LF	4.75000000	0.00

Item	Description	Unit of Measure	Quantity
PAVEMENT MARKING AND SIGNAGE (18-	Furnish all materials, labor and equipment to install new 18	LF	500.0000

Responses

Supplier	Bid Quantity	Unit of Measure	Unit Price	Award Amount
Weekley Asphalt Paving, Inc.	500.0000	LF	6.75000000	0.00
M&M ASPHALT MAINTENANCE INC	500.0000	LF	5.40000000	0.00
FG Construction LLC	500.0000	LF	10.00000000	0.00
Janice M. Riley Inc dba The Paving Lady	500.0000	LF	7.00000000	0.00

Item	Description	Unit of Measure	Quantity
PAVEMENT MARKING AND SIGNAGE (24-	Furnish all materials, labor and equipment to install new 24	LF	1,500.0000

Responses

Supplier	Bid Quantity	Unit of Measure	Unit Price	Award Amount
Weekley Asphalt Paving, Inc.	1,500.0000	LF	9.00000000	0.00
M&M ASPHALT MAINTENANCE INC	1,500.0000	LF	6.90000000	0.00
FG Construction LLC	1,500.0000	LF	20.00000000	0.00
Janice M. Riley Inc dba The Paving Lady	1,500.0000	LF	9.50000000	0.00

continued...

Responses

Supplier	Bid Quantity	Unit of Measure	Unit Price	Award Amount
Janice M. Riley Inc dba The Paving Lady	1,500.0000	LF	9.50000000	0.00

Item	Description	Unit of Measure	Quantity
PAVEMENT MARKING AND SIGNAGE (6--	Furnish all materials, labor and equipment to install new 6	LF	2,000.0000

Responses

Supplier	Bid Quantity	Unit of Measure	Unit Price	Award Amount
Weekley Asphalt Paving, Inc.	2,000.0000	LF	0.80000000	0.00
M&M ASPHALT MAINTENANCE INC	2,000.0000	LF	1.00000000	0.00
FG Construction LLC	2,000.0000	LF	3.00000000	0.00
Janice M. Riley Inc dba The Paving Lady	2,000.0000	LF	1.75000000	0.00

Item	Description	Unit of Measure	Quantity
PAVEMENT MARKING AND SIGNAGE (24-	Furnish all materials, labor and equipment to install new 24	LF	500.0000

Responses

Supplier	Bid Quantity	Unit of Measure	Unit Price	Award Amount
Weekley Asphalt Paving, Inc.	500.0000	LF	2.50000000	0.00
M&M ASPHALT MAINTENANCE INC	500.0000	LF	5.00000000	0.00
FG Construction LLC	500.0000	LF	10.00000000	0.00
Janice M. Riley Inc dba The Paving Lady	500.0000	LF	9.50000000	0.00

Item	Description	Unit of Measure	Quantity
PAVEMENT MARKING AND SIGNAGE (AR-	Furnish all materials, labor, and equipment to apply 6-feet	EA	50.0000

continued...

Responses

Supplier	Bid Quantity	Unit of Measure	Unit Price	Award Amount
Weekley Asphalt Paving, Inc.	50.0000	EA	3.00000000	0.00
M&M ASPHALT MAINTENANCE INC	50.0000	EA	105.00000000	0.00
FG Construction LLC	50.0000	EA	300.00000000	0.00
Janice M. Riley Inc dba The Paving Lady	50.0000	EA	140.25000000	0.00

Item	Description	Unit of Measure	Quantity
PAVEMENT MARKING AND SIGNAGE (R.-	Furnish all materials, labor and equipment to install variou	EA	1,000.0000

Responses

Supplier	Bid Quantity	Unit of Measure	Unit Price	Award Amount
Weekley Asphalt Paving, Inc.	1,000.0000	EA	6.25000000	0.00
M&M ASPHALT MAINTENANCE INC	1,000.0000	EA	9.50000000	0.00
FG Construction LLC	1,000.0000	EA	12.00000000	0.00
Janice M. Riley Inc dba The Paving Lady	1,000.0000	EA	13.75000000	0.00

Item	Description	Unit of Measure	Quantity
PAVEMENT MARKING AND SIGNAGE (HA-	Furnish all materials, labor and equipment to install painte	EA	2.0000

Responses

Supplier	Bid Quantity	Unit of Measure	Unit Price	Award Amount
Weekley Asphalt Paving, Inc.	2.0000	EA	400.00000000	0.00
M&M ASPHALT MAINTENANCE INC	2.0000	EA	600.00000000	0.00
FG Construction LLC	2.0000	EA	200.00000000	0.00
Janice M. Riley Inc dba The Paving Lady	2.0000	EA	748.75000000	0.00

continued...

Item	Description	Unit of Measure	Quantity
PAVEMENT MARKING AND SIGNAGE (TH-	Furnish all materials, labor and equipment to install thermo	EA	10.0000

Responses

Supplier	Bid Quantity	Unit of Measure	Unit Price	Award Amount
Weekley Asphalt Paving, Inc.	10.0000	EA	400.00000000	0.00
M&M ASPHALT MAINTENANCE INC	10.0000	EA	300.00000000	0.00
FG Construction LLC	10.0000	EA	500.00000000	0.00
Janice M. Riley Inc dba The Paving Lady	10.0000	EA	656.25000000	0.00

Item	Description	Unit of Measure	Quantity
UTILITY ADJUSTMENT (VALVE MANHOL-	Furnish all materials, labor and equipment to adjust the ele	EA	10.0000

Responses

Supplier	Bid Quantity	Unit of Measure	Unit Price	Award Amount
Weekley Asphalt Paving, Inc.	10.0000	EA	550.00000000	0.00
M&M ASPHALT MAINTENANCE INC	10.0000	EA	258.00000000	0.00
FG Construction LLC	10.0000	EA	1,000.00000000	0.00
Janice M. Riley Inc dba The Paving Lady	10.0000	EA	345.00000000	0.00

Item	Description	Unit of Measure	Quantity
UTILITY ADJUSTMENT (VALVE BOX CO-	Furnish all materials, labor and equipment to adjust the ele	EA	10.0000

Responses

Supplier	Bid Quantity	Unit of Measure	Unit Price	Award Amount
Weekley Asphalt Paving, Inc.	10.0000	EA	550.00000000	0.00
M&M ASPHALT MAINTENANCE INC	10.0000	EA	100.00000000	0.00
FG Construction LLC	10.0000	EA	1,000.00000000	0.00
Janice M. Riley Inc dba The Paving Lady	10.0000	EA	157.00000000	0.00

continued...

Responses

Supplier	Bid Quantity	Unit of Measure	Unit Price	Award Amount
Janice M. Riley Inc dba The Paving Lady	10.0000	EA	157.00000000	0.00

Item	Description	Unit of Measure	Quantity
UTILITY ADJUSTMENT (STORM INLET-	Furnish all materials, labor and equipment to adjust the ele	EA	5.0000

Responses

Supplier	Bid Quantity	Unit of Measure	Unit Price	Award Amount
Weekley Asphalt Paving, Inc.	5.0000	EA	750.00000000	0.00
M&M ASPHALT MAINTENANCE INC	5.0000	EA	780.00000000	0.00
FG Construction LLC	5.0000	EA	1,000.00000000	0.00
Janice M. Riley Inc dba The Paving Lady	5.0000	EA	420.00000000	0.00

Item	Description	Unit of Measure	Quantity
UTILITY ADJUSTMENT (SEWER CLEAN--	Furnish all materials, labor and equipment to adjust the ele	EA	10.0000

Responses

Supplier	Bid Quantity	Unit of Measure	Unit Price	Award Amount
Weekley Asphalt Paving, Inc.	10.0000	EA	750.00000000	0.00
M&M ASPHALT MAINTENANCE INC	10.0000	EA	255.00000000	0.00
FG Construction LLC	10.0000	EA	1,000.00000000	0.00
Janice M. Riley Inc dba The Paving Lady	10.0000	EA	420.00000000	0.00

continued...

Item	Description	Unit of Measure	Quantity
ADA/WHEELCHAIR ACCESS RAMPS-	Furnish all materials, labor and equipment to construct conc	EA	10.0000

Added 5/3/2024

Line duplicated with line 44, no costing required.

Responses

Supplier	Bid Quantity	Unit of Measure	Unit Price	Award Amount
Weekley Asphalt Paving, Inc.	0.0000	EA	0.00000000	0.00
M&M ASPHALT MAINTENANCE INC	10.0000	EA	0.00100000	0.00
FG Construction LLC	10.0000	EA	2,000.00000000	0.00
Janice M. Riley Inc dba The Paving Lady	10.0000	EA	3,250.00000000	0.00

Item	Description	Unit of Measure	Quantity
TYPE "D" CURB-	Furnish all materials, labor and equipment to construct stan	LF	100.0000

Responses

Supplier	Bid Quantity	Unit of Measure	Unit Price	Award Amount
Weekley Asphalt Paving, Inc.	100.0000	LF	68.00000000	0.00
M&M ASPHALT MAINTENANCE INC	100.0000	LF	38.00000000	0.00
FG Construction LLC	100.0000	LF	75.00000000	0.00
Janice M. Riley Inc dba The Paving Lady	100.0000	LF	70.00000000	0.00

Item	Description	Unit of Measure	Quantity
DROP CURB-	Furnish all materials, labor and equipment to construct stan	LF	100.0000

continued...

Responses

Supplier	Bid Quantity	Unit of Measure	Unit Price	Award Amount
Weekley Asphalt Paving, Inc.	100.0000	LF	68.00000000	0.00
M&M ASPHALT MAINTENANCE INC	100.0000	LF	42.00000000	0.00
FG Construction LLC	100.0000	LF	75.00000000	0.00
Janice M. Riley Inc dba The Paving Lady	100.0000	LF	85.00000000	0.00

Item	Description	Unit of Measure	Quantity
TYPE "A" MEDIAN CURB-	Furnish all materials, labor and equipment to construct stan	LF	100.0000

Responses

Supplier	Bid Quantity	Unit of Measure	Unit Price	Award Amount
Weekley Asphalt Paving, Inc.	100.0000	LF	68.00000000	0.00
M&M ASPHALT MAINTENANCE INC	100.0000	LF	42.00000000	0.00
FG Construction LLC	100.0000	LF	75.00000000	0.00
Janice M. Riley Inc dba The Paving Lady	100.0000	LF	85.00000000	0.00

Item	Description	Unit of Measure	Quantity
VALLEY GUTTER-	Furnish all materials, labor and equipment to construct stan	LF	100.0000

Responses

Supplier	Bid Quantity	Unit of Measure	Unit Price	Award Amount
Weekley Asphalt Paving, Inc.	100.0000	LF	25.00000000	0.00
M&M ASPHALT MAINTENANCE INC	100.0000	LF	42.00000000	0.00
FG Construction LLC	100.0000	LF	75.00000000	0.00
Janice M. Riley Inc dba The Paving Lady	100.0000	LF	85.00000000	0.00

continued...

Item	Description	Unit of Measure	Quantity
TYPE "F" CURB-	Furnish all materials, labor and equipment to construct stan	LF	100.0000

Responses

Supplier	Bid Quantity	Unit of Measure	Unit Price	Award Amount
Weekley Asphalt Paving, Inc.	100.0000	LF	68.00000000	0.00
M&M ASPHALT MAINTENANCE INC	100.0000	LF	45.00000000	0.00
FG Construction LLC	100.0000	LF	75.00000000	0.00
Janice M. Riley Inc dba The Paving Lady	100.0000	LF	85.00000000	0.00

Item	Description	Unit of Measure	Quantity
GREEN CYCLE LANE COATING-	Furnish all materials, labor and equipment to apply green co.	SY	500.0000

4/29/2024

Quantity updated to 500 and UOM updated to SY.

Responses

Supplier	Bid Quantity	Unit of Measure	Unit Price	Award Amount
Weekley Asphalt Paving, Inc.	500.0000	SY	175.00000000	0.00
M&M ASPHALT MAINTENANCE INC	500.0000	SY	167.00000000	0.00
FG Construction LLC	500.0000	SY	400.00000000	0.00
Janice M. Riley Inc dba The Paving Lady	500.0000	SY	235.00000000	0.00

Item	Description	Unit of Measure	Quantity
LIMEROCK BASE (8-INCH) REF: TYPI-	Furnish all materials, labor and equipment to install Furnis	SY	100.0000

Responses

Supplier	Bid Quantity	Unit of Measure	Unit Price	Award Amount
Weekley Asphalt Paving, Inc.	100.0000	SY	50.00000000	0.00

continued...

Responses

Supplier	Bid Quantity	Unit of Measure	Unit Price	Award Amount
M&M ASPHALT MAINTENANCE INC	100.0000	SY	75.00000000	0.00
FG Construction LLC	100.0000	SY	80.00000000	0.00
Janice M. Riley Inc dba The Paving Lady	100.0000	SY	58.45000000	0.00

Item	Description	Unit of Measure	Quantity
LIMEROCK BASE (12-INCH) REF: TYP-	Furnish all materials, labor and equipment to install Furnis	SY	100.0000

Responses

Supplier	Bid Quantity	Unit of Measure	Unit Price	Award Amount
Weekley Asphalt Paving, Inc.	100.0000	SY	50.00000000	0.00
M&M ASPHALT MAINTENANCE INC	100.0000	SY	88.00000000	0.00
FG Construction LLC	100.0000	SY	100.00000000	0.00
Janice M. Riley Inc dba The Paving Lady	100.0000	SY	84.45000000	0.00

Item	Description	Unit of Measure	Quantity
CLEARING AND GRUBBING-	Furnish all materials, labor and equipment for clearing and	SF	100.0000

Responses

Supplier	Bid Quantity	Unit of Measure	Unit Price	Award Amount
Weekley Asphalt Paving, Inc.	100.0000	SF	20.00000000	0.00
M&M ASPHALT MAINTENANCE INC	100.0000	SF	10.00000000	0.00
FG Construction LLC	100.0000	SF	10.00000000	0.00
Janice M. Riley Inc dba The Paving Lady	100.0000	SF	32.50000000	0.00

Item	Description	Unit of Measure	Quantity
BICYCLE SHARROWS-	Furnish all materials, labor and equipment to install thermo	EA	20.0000

continued...

Responses

Supplier	Bid Quantity	Unit of Measure	Unit Price	Award Amount
Weekley Asphalt Paving, Inc.	20.0000	EA	200.00000000	0.00
M&M ASPHALT MAINTENANCE INC	20.0000	EA	120.00000000	0.00
FG Construction LLC	20.0000	EA	500.00000000	0.00
Janice M. Riley Inc dba The Paving Lady	20.0000	EA	1,250.00000000	0.00

Item	Description	Unit of Measure	Quantity
BICYCLE SYMBOLS-	Furnish all materials, labor and equipment to install thermo	EA	20.0000

Responses

Supplier	Bid Quantity	Unit of Measure	Unit Price	Award Amount
Weekley Asphalt Paving, Inc.	20.0000	EA	350.00000000	0.00
M&M ASPHALT MAINTENANCE INC	20.0000	EA	300.00000000	0.00
FG Construction LLC	20.0000	EA	500.00000000	0.00
Janice M. Riley Inc dba The Paving Lady	20.0000	EA	1,550.00000000	0.00

Item	Description	Unit of Measure	Quantity
SPEED HUMPS (FLAT TOP 22X24)-	Furnish all materials, labor, and equipment to demolish and	EA	5.0000

Responses

Supplier	Bid Quantity	Unit of Measure	Unit Price	Award Amount
Weekley Asphalt Paving, Inc.	5.0000	EA	8,500.00000000	0.00
M&M ASPHALT MAINTENANCE INC	5.0000	EA	3,500.00000000	0.00
FG Construction LLC	5.0000	EA	10,000.00000000	0.00
Janice M. Riley Inc dba The Paving Lady	5.0000	EA	4,875.00000000	0.00

continued...

Item	Description	Unit of Measure	Quantity
SPEED HUMPS (ROUND TOP 12X24)-	Furnish all materials, labor, and equipment to demolish and	EA	5.0000

Responses

Supplier	Bid Quantity	Unit of Measure	Unit Price	Award Amount
Weekley Asphalt Paving, Inc.	5.0000	EA	7,500.00000000	0.00
M&M ASPHALT MAINTENANCE INC	5.0000	EA	2,500.00000000	0.00
FG Construction LLC	5.0000	EA	7,500.00000000	0.00
Janice M. Riley Inc dba The Paving Lady	5.0000	EA	3,125.00000000	0.00

Item	Description	Unit of Measure	Quantity
ADA RAMPS (SEE ATTACHED DETAILS)-	Furnish all materials, labor and equipment to demolish and	EA	10.0000

Added 5/3/2024

Line Quantity reduced from 150 to 10.

Responses

Supplier	Bid Quantity	Unit of Measure	Unit Price	Award Amount
Weekley Asphalt Paving, Inc.	10.0000	EA	3,800.00000000	0.00
M&M ASPHALT MAINTENANCE INC	10.0000	EA	3,120.00000000	0.00
FG Construction LLC	10.0000	EA	2,000.00000000	0.00
Janice M. Riley Inc dba The Paving Lady	10.0000	EA	3,250.00000000	0.00

Item	Description	Unit of Measure	Quantity
HEADER CURB (STREETS)-	Furnish all materials, labor and equipment to demolish and c	LF	500.0000

continued...

Responses

Supplier	Bid Quantity	Unit of Measure	Unit Price	Award Amount
Weekley Asphalt Paving, Inc.	500.0000	LF	58.00000000	0.00
M&M ASPHALT MAINTENANCE INC	500.0000	LF	30.00000000	0.00
FG Construction LLC	500.0000	LF	50.00000000	0.00
Janice M. Riley Inc dba The Paving Lady	500.0000	LF	81.25000000	0.00

Item	Description	Unit of Measure	Quantity
HEADER CURB (SIDEWALK)-	Furnish all materials, labor and equipment to construct conc	LF	500.0000

Responses

Supplier	Bid Quantity	Unit of Measure	Unit Price	Award Amount
Weekley Asphalt Paving, Inc.	500.0000	LF	58.00000000	0.00
M&M ASPHALT MAINTENANCE INC	500.0000	LF	25.00000000	0.00
FG Construction LLC	500.0000	LF	50.00000000	0.00
Janice M. Riley Inc dba The Paving Lady	500.0000	LF	81.25000000	0.00

Header Questions And Responses

QUESTION

Did you complete and attach the required forms?

Question Responses

Supplier	Response	Has Attachment
Weekley Asphalt Paving, Inc.	Yes	Yes
M&M ASPHALT MAINTENANCE INC	Yes	Yes
FG Construction LLC	Yes	Yes
Janice M. Riley Inc dba The Paving Lady	Yes	Yes

Contacts

Name	Email
PAULETTE HEMMINGS TURNER	pturner@fortlauderdale.gov

Q And A

Supplier	Question	Answer
Florida Blacktop, Inc.	Is a Florida License 3A Major Roads sufficient for bidding this project.	The City will only be accepting only those licenses that are listed in the solicitation.
FG Construction LLC	What is the Engineers Estimate/Proposed Budget for this Project?	The estimated budget is \$1,500,000.00
FG Construction LLC	Are there any Small/Disadvantage/County Business Goal Requirements associated with this Project?	There are no Small/Disadvantage/County Business Goal Requirements for this project.
R & D Paving, LLC	Will the City accept an FDOT prequalification in lieu of the General Contractor license requirement?	Please refer to response for Question 1. FDOT prequalification will not be accepted in lieu of a GC License.
M&M ASPHALT MAINTENANCE INC	1. Bid item 1 for Mobilization has a unit of lump sum, shouldn't the unit be "each"? 2. What is the difference between bid items #7 & #8	Please refer to Addendum 1.
M&M ASPHALT MAINTENANCE INC	2. What is the difference between bid items #7 & #8	Please refer to Addendum 1.
M&M ASPHALT MAINTENANCE INC	3. Bid item 36 for Green Bicycle lane coating says up to 500 SY's but has a quantity of 20 each. Could this item be changed to a SY quantity so it is more clear to how much we are bidding?	Please refer to Addendum 1.
M&M ASPHALT MAINTENANCE INC	1. Who will be responsible for the Credit Card Payment fees? the contractor or city?	The Contractor will be responsible for Credit Card Fees.



ITB No. 266

TITLE: Annual Asphalt Mill and Resurfacing

ADDENDUM NO.1

DATE: 04/30/2024

This addendum is being issued to respond to the following questions:

1. Bid Item 1 for Mobilization has a unit of “lump sum”, shouldn’t the unit be “each”?

Changed From

No.	Title	Description	Quantity	Unit
1	Mobilization	Mobilization, Transportation, Demobilization, Project signage & other fixed costs for projects with task order asphalt quantity less than 3,000 square yards	10	lump-sum

Changed To

No.	Title	Description	Quantity	Unit
1	Mobilization	Mobilization, Transportation, Demobilization, Project signage & other fixed costs for projects with task order asphalt quantity less than 3,000 square yards	10	Each

2. What is the difference between #7 & #8.

Item 8 is a duplication of Item 7 and therefore should not be priced.

No.	Title	Description	Quantity	Unit
8	Paving (colored asphalt—Stamped Asphalt)	Furnish all materials labor and equipment to stamp and paint existing or newly installed asphalt. The color and pattern of stamped asphalt to be determined by the Project Manager. Paint shall be StreetBond or approved equal.	100	square yard

3. Bid Item 36 for Green Bicycle Lane coating says up to 500 SY but has a quantity of 20 each. Could this be changed to a SY Quantity, so it is clearer as to how much we are bidding?

Changed From

No.	Title	Description	Quantity	Unit
36	Green cycle lane coating	Furnish all materials, labor and equipment to apply green color cycle lane coating. This item includes all work necessary to prepare existing asphalt pavement, approximately 500 square yards	20	each



Changed To

No.	Title	Description	Quantity	Unit
36	Green cycle lane coating	Furnish all materials, labor and equipment to apply green color cycle lane coating. This item includes all work necessary to prepare existing asphalt pavement, approximately 500 square yards	500	square yard

All other terms, conditions and specifications remain unchanged.

Paulette Hemmings Turner

Snr. Purchasing Specialist

Company Name: _____
(Please print)

Bidder's Signature: _____

Date: _____



ITB No. 266

TITLE: Annual Asphalt Mill and Resurfacing

ADDENDUM NO.2

DATE: 05/03/2024

This addendum is being issued to delete Item # 30 and Update Item # 44:

1. Deletes Item # 30

Event 266 - Annual Asphalt Mill & Resurfacing				
No.	Title	Description	Quantity	Unit
30	ADA/Wheelchair Access Ramps	Furnish all materials, labor and equipment to construct concrete ADA/wheelchair access ramps, as well as reconstruction of base where required, to include clearing and grubbing. Concrete slab shall have 6 inches minimum thickness per detailed specifications. All ramps shall have detectable warning surface truncated dome epoxy type installation Provide Armor Tile - Cast In Place or approved equal detectable warning surface on each ramp location also per detailed specifications.	10	each

2. Change quantity in Item 44 from 150 to 10

Changed From

Event 266 - Annual Asphalt Mill & Resurfacing				
No.	Title	Description	Quantity	Unit
44	ADA ramps (see attached details with Bid)	Furnish all materials, labor and equipment to demolish and construct concrete ADA/wheelchair access ramps, as well as reconstruction of base where required, to include clearing and grubbing. Concrete slab shall have 6 inches minimum thickness. See detail C4.1-1, C4.1-2, and C4.3 on detail specifications. All ramps shall have detectable warning surface truncated dome epoxy type installation. Provide Armor Tile - Cast In Place or approved equal detectable warning surface on each ramp location. See detail C4.6 on detail specifications.	150	each

Changed To

Event 266 - Annual Asphalt Mill & Resurfacing				
No.	Title	Description	Quantity	Unit
44	ADA ramps (see attached details with Bid)	Furnish all materials, labor and equipment to demolish and construct concrete ADA/wheelchair access ramps, as well as reconstruction of base where required, to include clearing and grubbing. Concrete slab shall have 6 inches minimum thickness. See detail C4.1-1, C4.1-2, and C4.3 on detail specifications. All ramps shall have detectable warning surface truncated dome epoxy-type installation. Provide Armor Tile - Cast In Place or approved equal detectable warning surface on each ramp location. See detail C4.6 on detail specifications.	10	each



City of Fort Lauderdale • Procurement Services Division
100 N. Andrews Avenue, 619 • Fort Lauderdale, Florida 33301
954-828-5933 Fax 954-828-5576
purchase@fortlauderdale.gov

All other terms, conditions and specifications remain unchanged.

Paulette Hemmings Turner

Snr. Purchasing Specialist

Company Name: _____
(Please print)

Bidder's Signature: _____

Date: _____