



Benneson Park

Ft. Lauderdale, FL

Sales Representative

PLAYMORE

Recreational
Products & Services

Equipment Manufacturer

 **PLAYWORLD**
The world needs play.



Benneson Park
Ft. Lauderdale, FL

16-4765A

Sales Representative

PLAYMORE
Recreational
Products & Services

Equipment Manufacturer

 **PLAYWORLD**
The world needs play.

CAM #17-0612
Exhibit 2
2 of 9



Benneson Park
Ft. Lauderdale, FL

Sales Representative

PLAYMORE
Recreational
Products & Services

Equipment Manufacturer

 **PLAYWORLD**
The world needs play.

16-4765A

CAM #17-0612
Exhibit 2
3 of 9



Benneson Park

Ft. Lauderdale, FL

Sales Representative

PLAYMORE

Recreational
Products & Services

Equipment Manufacturer

 **PLAYWORLD**
The world needs play.



Benneson Park

Ft. Lauderdale, FL

Sales Representative

PLAYMORE

Recreational
Products & Services

Equipment Manufacturer

 **PLAYWORLD**
The world needs play.



Benneson Park

Ft. Lauderdale, FL

Sales Representative

PLAYMORE

Recreational
Products & Services

Equipment Manufacturer

**PLAYWORLD**
The world needs play.



Playmore Recreational
Products & Services
10271 Deer Run Farms Road
Suite 1
Fort Myers, FL 33966

EQUIPMENT SIZE:
SEE DWG

USE ZONE:
SEE DWG

AREA:
SEE DWG

PERIMETER:
SEE DWG

FALL HEIGHT:
8 Ft.

USER CAPACITY:
57

AGE GROUP:
2-12

✓ ASTM F1487-11
✓ CPSC #325



PROJECT NO:
16-4765A

SCALE:
1/8"=1'-0"

DRAWN BY:
PHIL SAILOR

Paper Size

DATE:
7-DEC-16

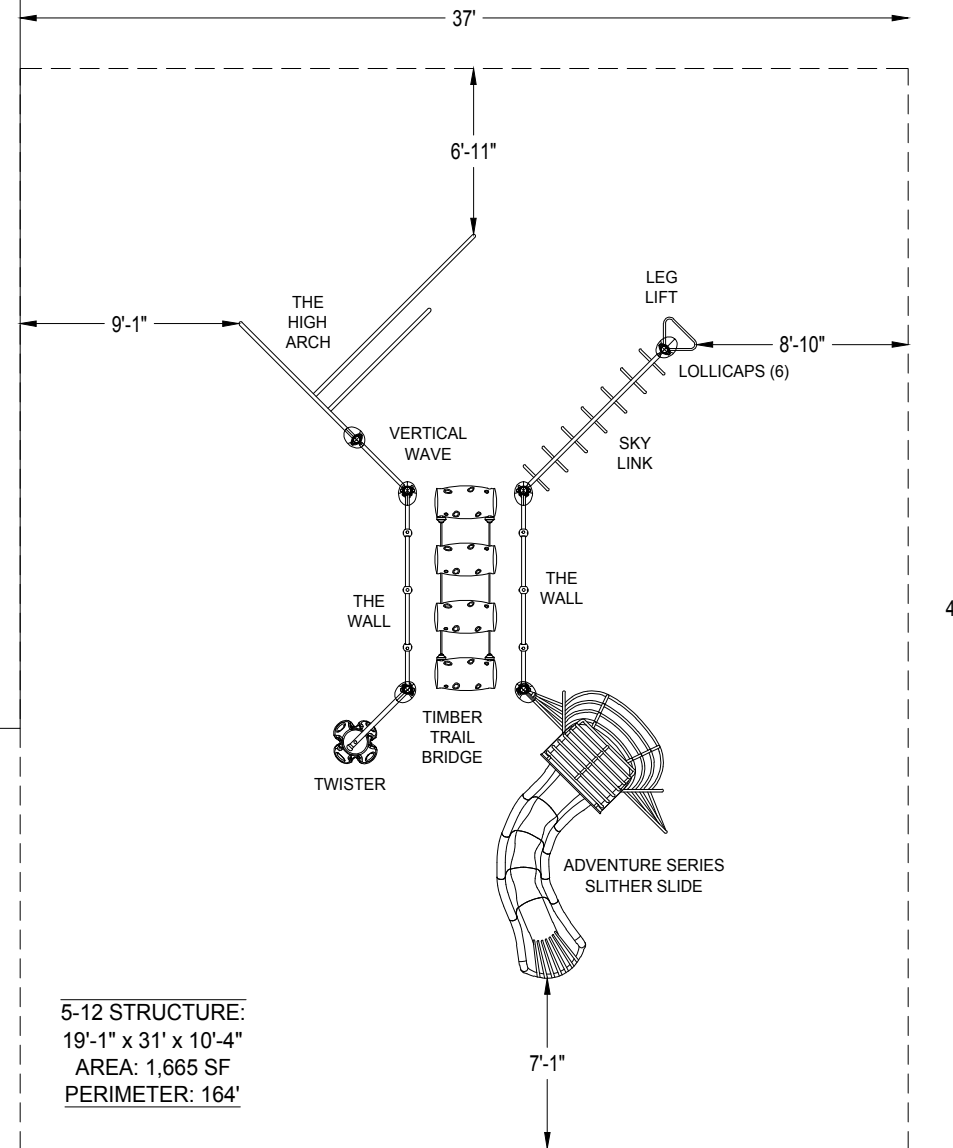
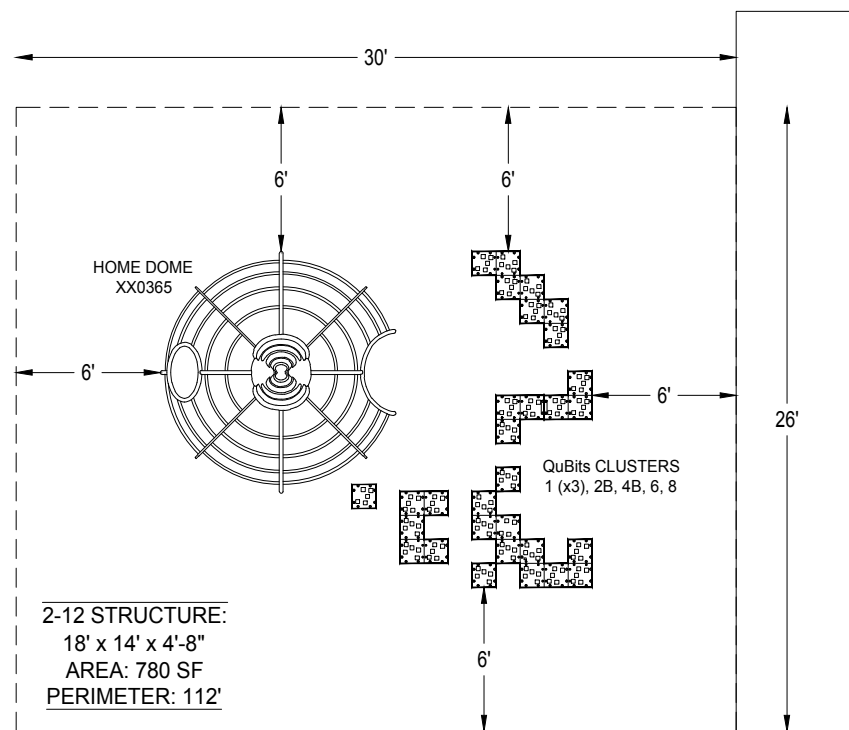
B

CAM #17-0612

Exhibit 2
7 of 9

BENNESON PARK
FORT LAUDERDALE, FL

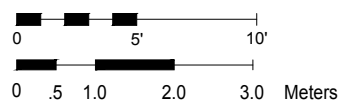
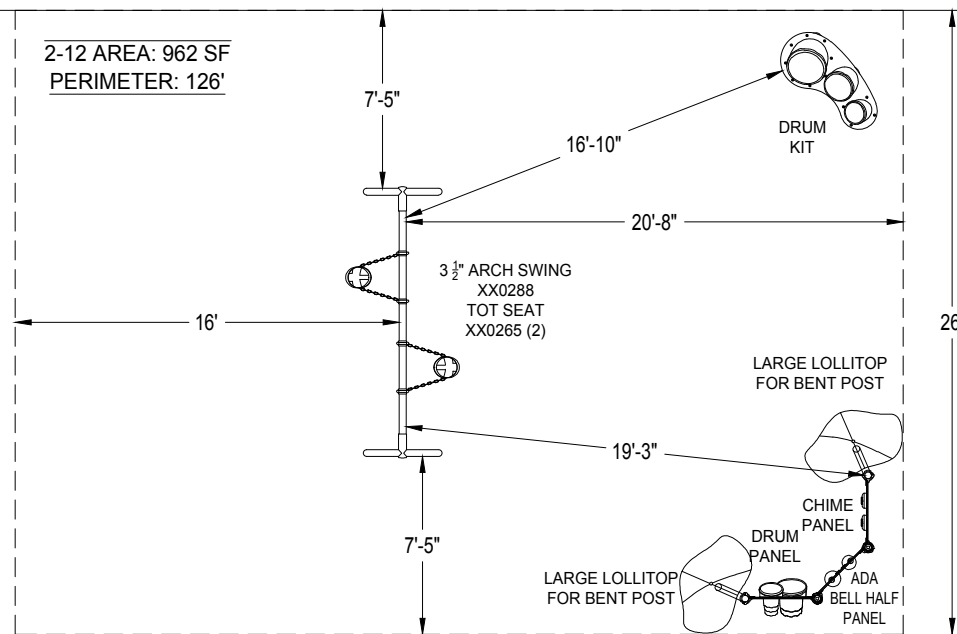
ADA SCHEDULE			
	Total Elevated Play Activities:	0	
	Total Ground-Level Play Activities:	2	
	Accessible Elevated Activities	Accessible Ground-Level Activities	Accessible Ground-Level Play Types
Required	0	0	0
Provided	0	2	1



ADA SCHEDULE			
	Total Elevated Play Activities:	0	
	Total Ground-Level Play Activities:	9	
	Accessible Elevated Activities	Accessible Ground-Level Activities	Accessible Ground-Level Play Types
Required	0	0	0
Provided	0	9	5

ADA SCHEDULE			
	Total Elevated Play Activities:	0	
	Total Ground-Level Play Activities:	6	
	Accessible Elevated Activities	Accessible Ground-Level Activities	Accessible Ground-Level Play Types
Required	0	0	0
Provided	0	6	2

2-12 AREA: 962 SF
PERIMETER: 126'



*PLAYGROUND SUPERVISION REQUIRED

PLAYMORE

Recreational Products & Services

10271 Deer Run Farms Road, Suite 1
Fort Myers, FL 33966
(239) 791-2400 (239) 791-2401 fax
(888) 886-3757 toll free
www.playmoreonline.com

QUOTATION

12/14/16

Job Number: 10875
Revision:

Client: City of Fort Lauderdale
100 N. Andrews Avenue
Fort Lauderdale FL 33301

Job: Benneson Park
Fort Lauderdale FL 33304

Contact: Donald Burgess Phone: 954-828-5230 Fax: Email: dburgess@fortlauderdale.gov

Sales Rep: Jason Gray Terms: Net 30

Item	Description	Quantity	Cost	Subtotal
1 Equipment				
CHALLENGER	CUSTOM PLAY STRUCTURE -- 16-4765A	1	\$44,058.00	\$44,058.00
Discount	School District of Manatee County 16-0025-MR	-1	\$2,202.90	-\$2,202.90
			Subtotal:	\$41,855.10
2 Freight				
Freight	Playworld Freight	1	\$2,888.00	\$2,888.00
			Subtotal:	\$2,888.00
3 Installation				
PSI Installation	Installation of Playworld Equipment per School District of Manatee County 16-0025-MR	1	\$12,556.53	\$12,556.53
Eng Drwgs	Engineered Sealed Drawings	1	\$1,500.00	\$1,500.00
Permits	Building Permit Expenses & Fees	1	\$2,500.00	\$2,500.00
			Subtotal:	\$16,556.53
			Grand Totals:	\$61,299.63

Notes: Please review terms page for installation information.

*Removal of existing equipment by others.

**Reuse existing wood fiber surfacing.



Recreational Products & Services

10271 Deer Run Farms Road, Suite 1
Fort Myers, FL 33966
(239) 791-2400 (239) 791-2401 fax
(888) 886-3757 toll free
www.playmoreonline.com

QUOTATION

12/14/2016

Job Number: 10875
Revision:

Client: City of Fort Lauderdale
100 N. Andrews Avenue
Fort Lauderdale FL 33301

Job: Benneson Park
Fort Lauderdale FL 33304

General Terms:

Acceptance by a signature, purchase order, or contract based on this proposal indicates that you are in full agreement with all terms and conditions of this proposal, including the following:

- Prices are valid for 30 days, unless otherwise noted. After 30 days, prices are subject to change without notice.
- Sales Tax will be charged unless a valid Sales Tax Exemption Certificate is presented with order.
- Specify all colors and options in writing. Any discrepancies that arise due to oral selections will be the responsibility of the customer.
- If the customer is installing equipment, all equipment is to be installed per manufacturer's instructions and applicable guidelines.
- Installation, site work, permits, engineering, etc. are not included unless noted.

Building Permits:

Building permits are the responsibility of the owner. If a building permit is required for your project, the following options are available.

- Add 5% (minimum \$1,500) to the quotation/contract price. Playmore Recreational Products and Services will cover the costs of all the building permit fees and expeditor fees.
- Playmore Recreational Products and Services can assist the customer in obtaining their own permit. Customer is responsible for all fees directly to the permitting agency and/or the expediting company.

NOTE – All zoning, planning, environmental, etc. permits and approvals are the responsibility of others as well as any required site plans. If signed and sealed engineered drawings are needed for the installation of equipment, this will be included on the proposal. If it is omitted and later discovered necessary, the cost will be the responsibility of the customer.

Standard Services Include:

- | | |
|--|---|
| • Shipping Notification/Receiving Instructions | • Layout of Equipment |
| • Pre-Installation On-Site Meeting | • Installation of Equipment and Materials per Manufacturer's Instructions |
| • Underground Utility Check (Sunshine State One Call) | • Trash Clean Up (Leave on site.) |
| • Accept Delivery and Unload Equipment (If site is ready.) | • Post-Installation Walk Through |
| • Moving New Equipment at Job Site | • Maintenance Explanation |

Customer Responsibilities (unless otherwise noted in the applicable quotation/contract):

- Trash Disposal – Dumpsters or Off Site Disposal.
- Accept Delivery and Unload Equipment (If site is not ready.). \$500.00 Charge will apply if Customer wants Installers to Unload.
- Provide Area for Storage and Staging.
- Secure Site and Equipment.

Some Optional Responsibilities (Must be clearly outlined in the applicable quotation/contract):

- Removal of Existing Equipment.
- Site Preparation, Grading, Drainage Systems, etc.
- Engineered Drawings for Purchased Equipment.
- Other Permits or Engineered Drawings (i.e. zoning permits, environmental permits, site surveys, etc.)

*Any other responsibilities must be clearly outlined in the applicable quotation/contract.

General Notes

Access/Utilities. Access must be provided to the installation area for heavy trucks and equipment. Access of equipment and personnel is the obligation of the customer to provide until the project is fully completed. We will take every precaution to avoid damage, however any damage caused by the normal installation of our product, such as to sod, concrete sidewalks, private underground utilities, etc., will be the responsibility of the customer, as will any additional costs associated with limiting damage, such as providing plywood over sod for access. If access is not reasonably close to the jobsite, any additional costs incurred due to having to transport materials and/or supplies will be the responsibility of the customer.

Rock/Foreign Object Clause. Most installations require digging of holes and footing equipment in concrete below finished grade. Removal of existing ground covers such as asphalt, concrete, tan bark, sand, pea gravel, wood fiber, rubber matting, poured-in-place rubber surfacing, or any other material that interferes or delays the digging of holes, is the responsibility of others, unless otherwise noted. If excessive underground obstructions such as rocks, coral, asphalt, concrete, pipes, drainage systems, root systems, water, or any other unknown obstructions are discovered, charges will be added to the original proposal.

Playground Surfacing. All playground equipment is to be installed over safety surfacing per CPSC guidelines and ASTM standards. If the customer contracts for something contrary to the guidelines, they are accepting all responsibility for any liability and future litigation that may arise.

Acceptance Signature: X Date: _____ P.O.#: _____