

FDOT GENERAL NOTES

1. ANY PLANT MATERIAL SUBSTITUTION WITHIN OR IMPACTING THE FDOT RIGHT OF WAY WHETHER REQUESTED BY THE CONTRACTOR, OWNER, LANDSCAPE ARCHITECT OR OTHER WILL NEED TO GET APPROVAL FROM THE FDOT DISTRICT LANDSCAPE ARCHITECT.
2. PATTERNED PAVEMENT INSTALLATION SHALL COMPLY WITH CURRENT FDOT STANDARD SPECIFICATION 523. ONLINE REFERENCE:
[HTTPS://FDOTWWW.BLOB.CORE.WINDOWS.NET/SITEFINITY/DOCS/DEFAULT-SOURCE/PROGRAMMANAGEMENT/IMPLEMENTED/SPECBOOKS/JANUARY2021/1-21EBOOK.PDF?SFVRSN=1C62CB58_2](https://fdotwww.blob.core.windows.net/sitefinity/docs/default-source/programmanagement/implemented/specbooks/january2021/1-21EBOOK.PDF?sfvrsn=1c62cb58_2)
3. CONTRACTOR SHALL REPAIR ANY AND ALL DAMAGE DONE TO FDOT PROPERTY DURING DEMOLITION, RELOCATION AND/OR INSTALLATION ACTIVITIES AT HIS SOLE EXPENSE.
4. OWNERSHIP OF ALL SUITABLE EXCAVATED MATERIALS, AS DETERMINED BY THE DEPARTMENT, SHALL REMAIN IN THE DEPARTMENT UNTIL A FINAL ACCEPTANCE OF THE PERMITTED PROJECT IS FULFILLED. EXCAVATED MATERIALS SHALL BE HAULED BY THE PERMITTEE, AT THEIR COST AND EXPENSE FROM THE SITE TO THE BROWARD OPERATIONS CENTER OR STOCKPILED IN THOSE AREAS AS DIRECTED BY THE DEPARTMENT, INCLUDING ASPHALT MILLINGS.
5. PERMITTEE WILL RESTORE THE RIGHT OF WAY AS A MINIMUM, TO ITS ORIGINAL CONDITION OR BETTER IN ACCORDANCE WITH FDOT LATEST STANDARD SPECIFICATION FOR ROAD AND BRIDGE CONSTRUCTION OR AS DIRECTED BY THE RESIDENT OPERATIONS ENGINEER.
6. RESTRICTED HOURS OF OPERATION FOR LANE CLOSURES WILL BE FROM 9:00 AM TO 3:30 PM, (MONDAY-FRIDAY), UNLESS OTHERWISE APPROVED BY THE OPERATIONS ENGINEER, OR DESIGNEE.
7. PERMITTEE WILL COORDINATE (I.E. PRE-CONSTRUCTION MEETINGS, INSPECTIONS, FINAL ACCEPTANCE OF WORK, ETC.) WITH FDOT BROWARD OPERATIONS CENTER PERMITTING DEPARTMENT COORDINATION WILL INCLUDE PRE-CONSTRUCTION. CERTIFICATION ACCEPTANCE AND FINAL APPROVAL IS CONTINGENT UPON CONFORMITY OF ALL WORK COMPLETED ACCORDING TO THIS PERMIT AND THE RESTORATION OF THE RIGHT OF WAY.
8. ALL MATERIALS AND CONSTRUCTION WITHIN THE FLORIDA DEPARTMENT OF TRANSPORTATION DESIGN (FDOT) RIGHT-OF-WAY SHALL CONFORM TO THE "LATEST VERSION OF FDOT STANDARD PLANS FOR ROADS AND BRIDGE CONSTRUCTION AND LATEST VERSION OF THE STANDARD SPECIFICATIONS FOR ROAD AND BRIDGE CONSTRUCTION.
9. ALL MAINTENANCE OF TRAFFIC M.O.T. FOR THIS PROJECT WILL BE IN COMPLIANCE WITH THE DEPARTMENTS CURRENT EDITION OF THE FDOT STANDARD PLANS FOR ROAD AND BRIDGE CONSTRUCTION INDICES, (102-600 SERIES) AND THE LATEST EDITION OF THE MANUAL ON UNIFORM TRAFFIC CONTROL DEVICES (MUTCD). THE OPERATIONS ENGINEER OR HIS DESIGNEE RESERVES THE RIGHT TO DIRECT THE REMOVAL/RELOCATION/MODIFICATION OF ANY TRAFFIC DEVICE(S) AT THE PERMITTEE'S SOLE EXPENSE. SPECIAL ATTENTION WILL BE GIVE TO INDICES 102-611, 102-612, 102-613, 102-614, 102-615, 102-616, AND 102-660.
10. IT IS THE PERMITTEE'S RESPONSIBILITY TO OBTAIN FINAL ACCEPTANCE OF PERMITTED WORK (COMPLETED) AND THE RESTORATION OF THE RIGHT-OF-WAY FROM THE FDOT PRIOR TO USAGE.

FDOT PLANTING NOTES

1. FOR THE PORTION OF LANDSCAPE PLANT MATERIAL THAT WILL BE INSTALLED WITHIN THE FDOT RIGHT OF WAY, LANDSCAPE INSTALLATION SHALL COMPLY WITH CURRENT APPLICABLE FDOT MAINTENANCE SPECIFICATION 580. ONLINE REFERENCE:
[HTTPS://WWW.FDOT.GOV/PROGRAMMANAGEMENT/MAINTENANCE/2021JAN/MAINTENANCE-SPECIFICATIONS](https://www.fdot.gov/programmanagement/maintenance/2021jan/maintenance-specifications)
 ---JANUARY-2021
2. FOR THE PORTION OF LANDSCAPE PLANT MATERIAL THAT WILL BE INSTALLED WITHIN THE FDOT RIGHT OF WAY REFER TO THE FDOT STANDARD PLANS INDEX 580-001 LANDSCAPE INSTALLATION. ONLINE REFERENCE:
[HTTPS://FDOTWWW.BLOB.CORE.WINDOWS.NET/SITEFINITY/DOCS/DEFAULT-SOURCE/DESIGN/STANDARDPLANS/2022/IDX/580-001.PDF](https://fdotwww.blob.core.windows.net/sitefinity/docs/default-source/design/standardplans/2022/idx/580-001.PDF)
3. CYPRESS MULCH IS NOT PERMITTED ON FDOT RIGHT OF WAY. MULCH PERMITTED TO BE USED ARE HARDWOOD MULCH (CONTAINING NO CYPRESS PRODUCTS), RECYCLED MULCH OR APPROVED EQUAL, CERTIFIED BY THE MULCH AND SOIL COUNCIL (MSC). SUBMIT PROOF OF CERTIFICATION TO THE FDOT DISTRICT OPERATIONS PERMIT LANDSCAPE INSPECTOR UPON INSPECTION.

FDOT IRRIGATION NOTES

1. FDOT REQUIRES 24-HOUR EMERGENCY ACCESS TO WATER SOURCE.
2. CONTRACTOR SHALL PROVIDE FDOT DISTRICT OPERATIONS MANAGER WITH A SET OF "AS-BUILT" IRRIGATION PLANS.
3. CUTTING/PATCHING THE ROADWAY SURFACE IS PROHIBITED AS A PART OF THE SCOPE OF THIS PROJECT.
4. PERMITTEE'S REPRESENTATIVE & AN FDOT INSPECTOR MUST BE ON SITE DURING ALL BORING ACTIVITIES. UPON COMPLETION OF THE BORING ACTIVITIES, PERMITTEE SHALL PROVIDE ALL DOCUMENTATION TO BE IN ACCORDANCE WITH FDOT STANDARD SPECIFICATIONS, SECTION 555 OR 556, WHICHEVER IS APPLICABLE.
5. PERMITTEE'S CONTRACTORS THAT ARE PERFORMING DIRECTIONAL DRILLING AND/OR JACK AND BORE ACTIVITIES SHALL PROVIDE THE DEPARTMENT (PERMITS OFFICE) PROOF OF A PROPER STATE CONTRACTOR'S LICENSE AND CERTIFICATE OF LIABILITY INSURANCE PRIOR TO ANY COMMENCEMENT OF PERMITTED WORK.
6. PERMITTEE WILL ENSURE THAT ALL LOCATES HAVE BEEN PERFORMED PRIOR TO SCHEDULING OF ANY BORING ACTIVITIES. THIS SHALL INCLUDE SOFT DIGS TO VERIFY VERTICAL & HORIZONTAL ALIGNMENT.
7. SLEEVING MUST BE 36" BELOW THE ROADWAY. VERIFY WITH FDOT MAINTENANCE THAT SLEEVING/DIRECTIONAL BORE IS PERMITTED AT THIS TIME. A NEWLY RESURFACED ROAD CANNOT BE DISTURBED FOR 5 YEARS.


Plotted By: Hargrett, Tom Sheet Set: NE 4th Avenue Layout: C0.02 FDOT NOTES June 29, 2022 09:08:52am K:\WPB_LRG_04\3184061 - NE 4th AVE FTL\CAD\Plansheets\C0.01 GENERAL NOTES.dwg

Kimley»Horn
 1920 WEKIVA WAY #200
 WEST PALM BEACH, FL 33411
 PHONE: 561-845-0665 FAX:
 561-830-3245
 WWW.KIMLEY-HORN.COM
 REGISTRY 696
 © 2022 KIMLEY-HORN AND
 ASSOCIATES, INC.

SEAL:
 JONATHAN D. HAIGH, PLA
 STATE LICENSE NUMBER
 LA #6666795
 06/30/2022

DATE: 07/01/2021	SCALE: AS SHOWN
DRAWN BY:	CHECKED BY:
DESIGNED BY:	FIELD BOOK:

CITY OF FORT LAUDERDALE
 TRANSPORTATION & MOBILITY
 290 NE 3RD AVE, FORT LAUDERDALE, FL 33301



NO.	DATE	BY	REVISIONS	DESCRIPTION

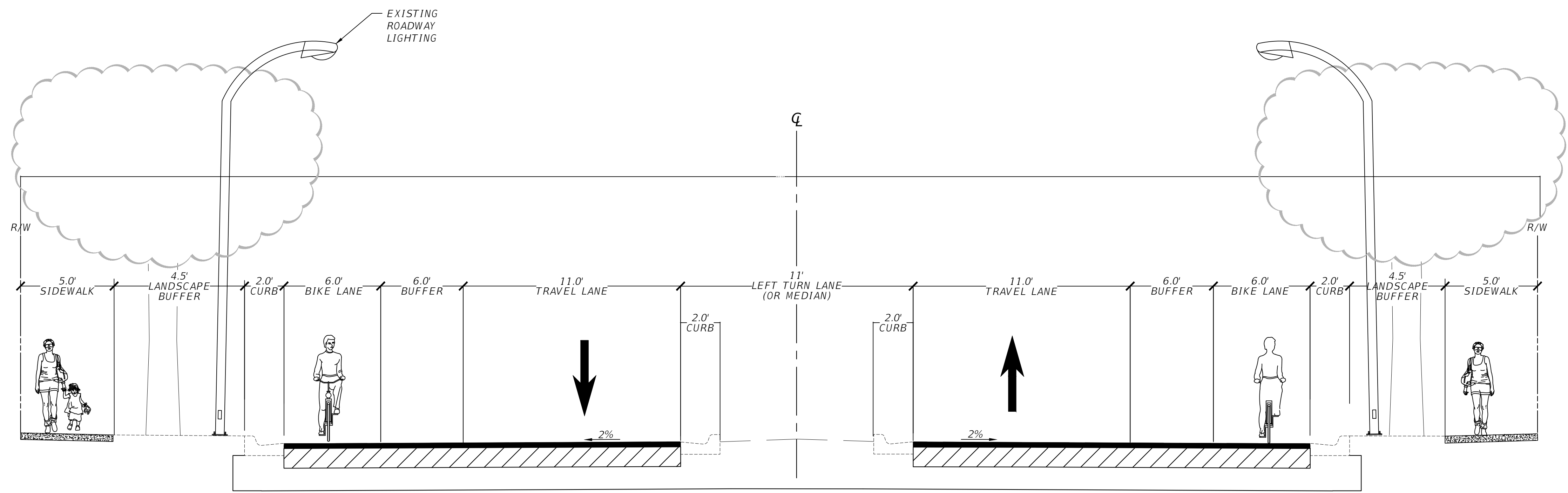
PROJECT # 12557
 NE 4TH AVENUE STREETSCAPE PROJECT
 E SUNRISE BLVD TO NE 13TH ST
 FORT LAUDERDALE, FL
 FDOT NOTES

SHEET NO.
C0.02

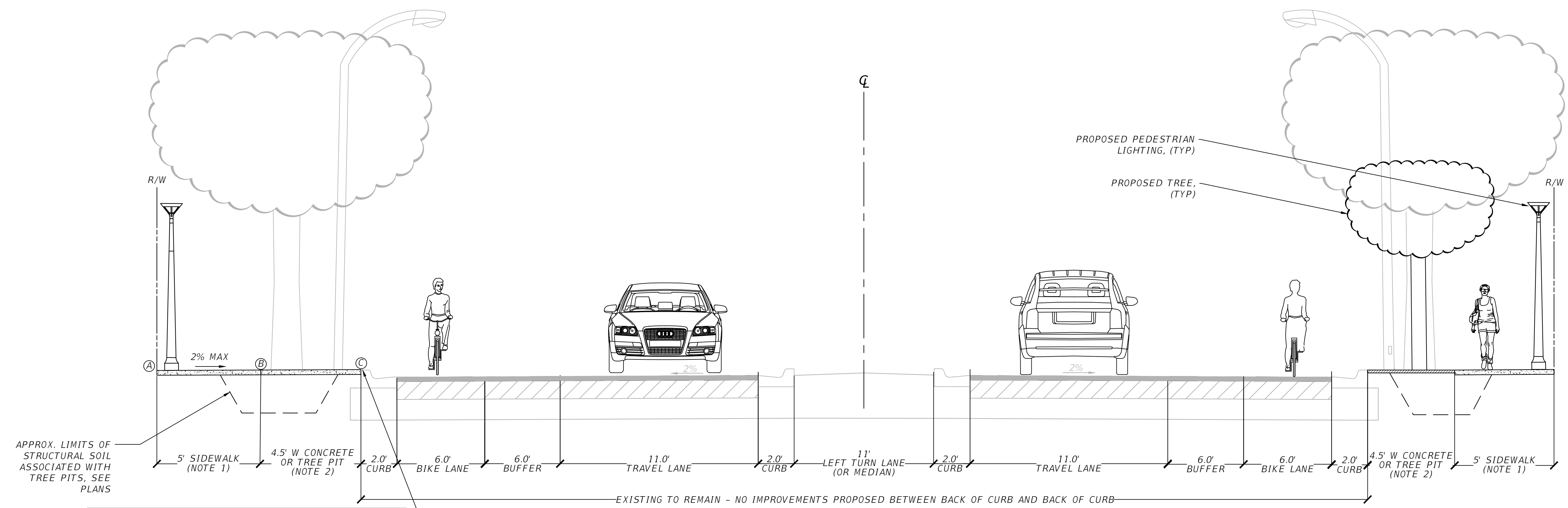
VERTICAL DATUM
 ELEVATIONS SHOWN HEREON ARE BASED ON THE
 NORTH AMERICAN VERTICAL DATUM OF 1988.
 NAVD '88 ELEV. + 1.565' = NGVD '29 ELEVATION

THE PRESENCE OF GROUNDWATER SHOULD BE
 ANTICIPATED. CONTRACTOR'S BID SHALL
 INCLUDE CONSIDERATION FOR ADDRESSING THIS
 ISSUE AND OBTAINING ALL NECESSARY PERMITS.

CALL 2 WORKING DAYS
 BEFORE YOU DIG **811**
 IT'S THE LAW!
 DIAL 811 **Know what's below.**
 Call before you dig.
 SUNSHINE STATE ONE CALL OF FLORIDA, INC.



EXISTING
TYPICAL SECTION N.E. 4TH AVENUE
SUNRISE BOULEVARD TO NE 13TH STREET
FORT LAUDERDALE



SIDEWALK GRADING NOTES:
 1) 5' SIDEWALK BETWEEN 'A' AND 'B' IS TO BE CONSTRUCTED WITH A MAX 2% CROSS-SLOPE.
 2) 4.5' CONCRETE (OR TREE PIT AREA) BETWEEN 'B' AND 'C' IS TO BE CONSTRUCTED WITH A MAX 2% CROSS-SLOPE WHERE POSSIBLE, BUT MAY EXCEED 2% CROSS-SLOPE. TOP OF CONCRETE AND TREE PIT SURFACING TO MEET FLUSH WITH TOP OF EXISTING CURB.

PROPOSED
TYPICAL SECTION N.E. 4TH AVENUE
SUNRISE BOULEVARD TO NE 13TH STREET
FORT LAUDERDALE

Kimley»Horn
 1920 WEKIVA WAY #200
 WEST PALM BEACH, FL 33411
 PHONE: 561-845-0665 FAX:
 561-390-2245
 WWW.KIMLEY-HORN.COM
 REGISTRY 696
 © 2022 KIMLEY-HORN AND
 ASSOCIATES, INC.

SEAL:
 JONATHAN D. HAIGH, PLA
 STATE LICENSE NUMBER
 LA #6666795
 06/30/2022

DATE: 07/01/2021
 DESIGNED BY: JAS
 CHECKED BY: SHAWN
 FIELD BOOK:

CITY OF FORT LAUDERDALE
 TRANSPORTATION
 &
 MOBILITY

 290 NE 3RD AVE., FORT LAUDERDALE, FL 33301

NO.	DATE	BY	DESCRIPTION

PROJECT # 12557
 NE 4TH AVENUE STREETSCAPE PROJECT
 E SUNRISE BLVD TO NE 13TH ST
 FORT LAUDERDALE, FL
 TYPICAL SECTIONS
 SHEET NO.
C0.10

Plotted By: Hargrett, Tom Sheet Set: NE 4th Avenue Layout: C0.10 TYPICAL SECTIONS June 29, 2022 09:09:02am K:\WPB_LIRG\04-3184061 - NE 4th AVE FTL\CAD\Plansheets\TYPICAL DETAILS.dwg

Kimley»Horn
1920 WEKIVA WAY #200
WEST PALM BEACH, FL 33411
PHONE: 561-845-0665 FAX:
561-390-3245
WWW.KIMLEY-HORN.COM
REGISTRY 696
© 2022 KIMLEY-HORN AND
ASSOCIATES, INC.

SEAL:
JONATHAN D. HAIGH, PLA
STATE LICENSE NUMBER
LA #6666795
06/30/2022

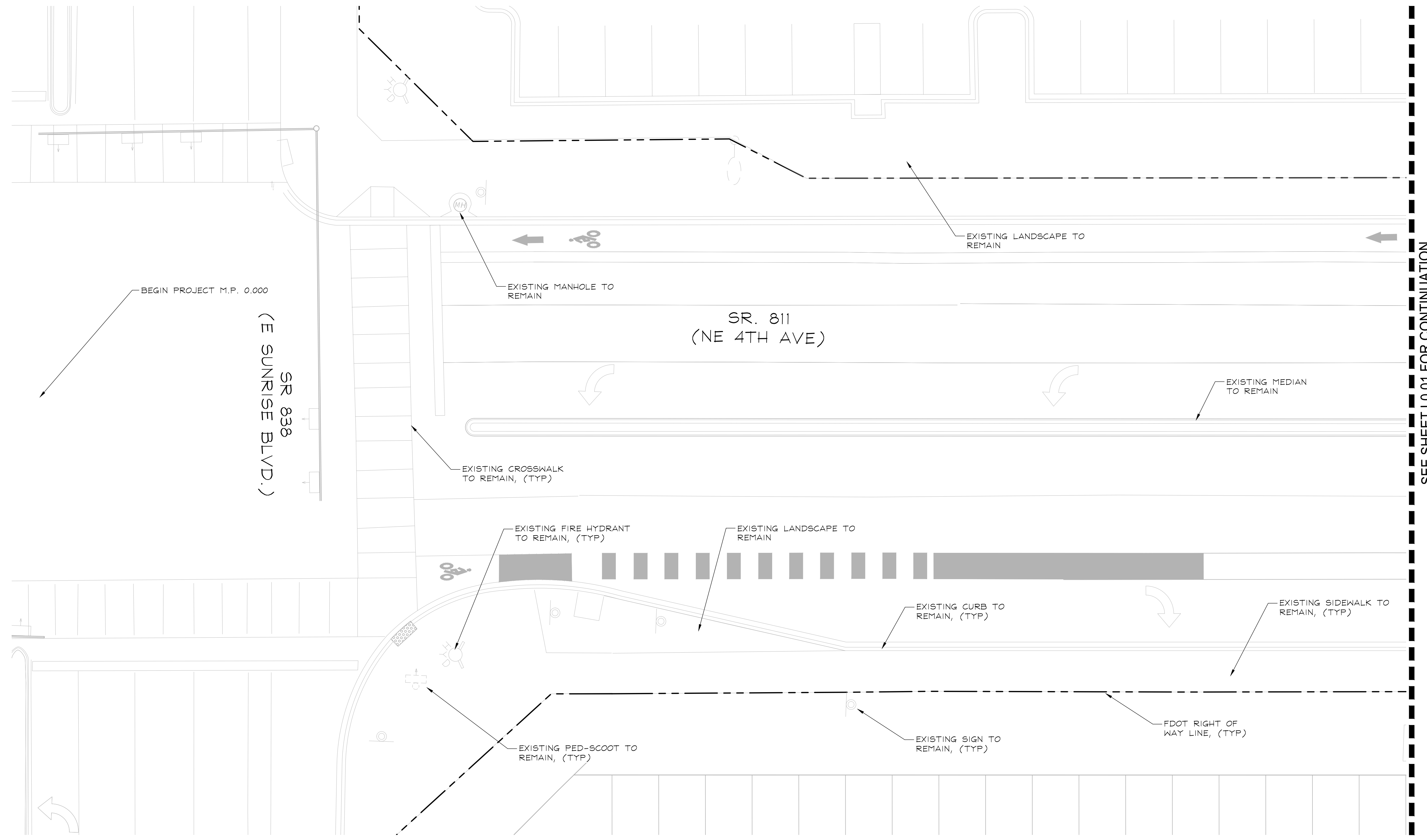
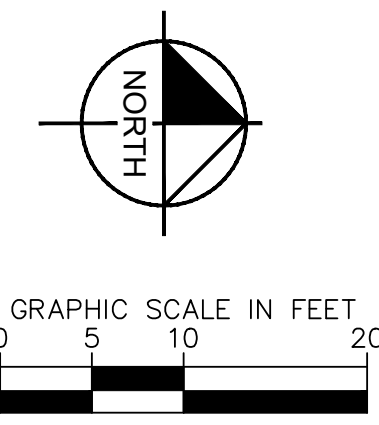
DATE: 07/01/2021
DRAWN BY: AS
DESIGNED BY: SHAWN
CHECKED BY:
FIELD BOOK:

CITY OF FORT LAUDERDALE
TRANSPORTATION
&
MOBILITY
290 NE 3RD AVE., FORT LAUDERDALE, FL 33301

NO.	DATE	BY	DESCRIPTION

PROJECT # 12557
NE 4TH AVENUE STREETSCAPE PROJECT
E SUNRISE BLVD TO NE 13TH ST
FORT LAUDERDALE, FL
DEMOLITION PLAN

SHEET NO.
L0.00



SEE SHEET L0.01 FOR CONTINUATION

BEGIN PROJECT M.P. 0.000
(E SUNRISE BLVD.)
SR. 838

VERTICAL DATUM
ELEVATIONS SHOWN HEREON ARE BASED ON THE
NORTH AMERICAN VERTICAL DATUM OF 1988.
NAVD '88 ELEV. + 1.565' = NGVD '29 ELEVATION

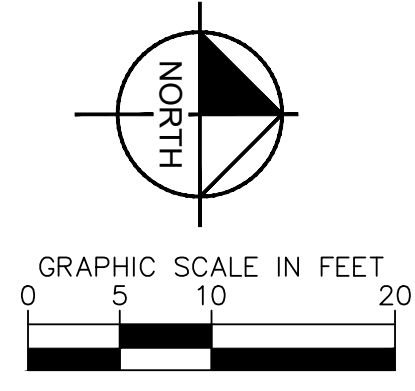
CALL 2 WORKING DAYS
BEFORE YOU DIG

IT'S THE LAW!
DIAL 811

Know what's below.
Call before you dig.

SUNSHINE STATE ONE CALL OF FLORIDA, INC.

Plotted By: Hargrett, Tom Sheet Set: NE 4th Avenue Layout: L0.00 DEMOLITION PLAN June 28, 2022 09:09:19am K:\WPB_LURC\04318\061 - NE 4th AVE FTL\CAD\Plansheets\L0.00 DEMOLITION PLAN.dwg



Kimley»Horn
 1920 WEKIVA WAY #200
 WEST PALM BEACH, FL 33411
 PHONE: 561-845-0665 FAX:
 561-390-2245
 WWW.KIMLEY-HORN.COM
 REGISTRY 696
 © 2022 KIMLEY-HORN AND
 ASSOCIATES, INC.

SEAL:
 JONATHAN D. HAIGH, PLA
 STATE LICENSE NUMBER
 LA #6666795
 06/30/2022

DATE: 07/01/2021
 DRAWN BY: AS
 DESIGNED BY: SHAWN
 CHECKED BY:
 FIELD BOOK:

CITY OF FORT LAUDERDALE
 TRANSPORTATION
 &
 MOBILITY

 290 NE 3RD AVE., FORT LAUDERDALE, FL 33301

REVISIONS		NO.	DATE	BY	DESCRIPTION

PROJECT # 12557
 NE 4TH AVENUE STREETSCAPE PROJECT
 E SUNRISE BLVD TO NE 13TH ST
 FORT LAUDERDALE, FL
 DEMOLITION PLAN

SHEET NO.
L0.01

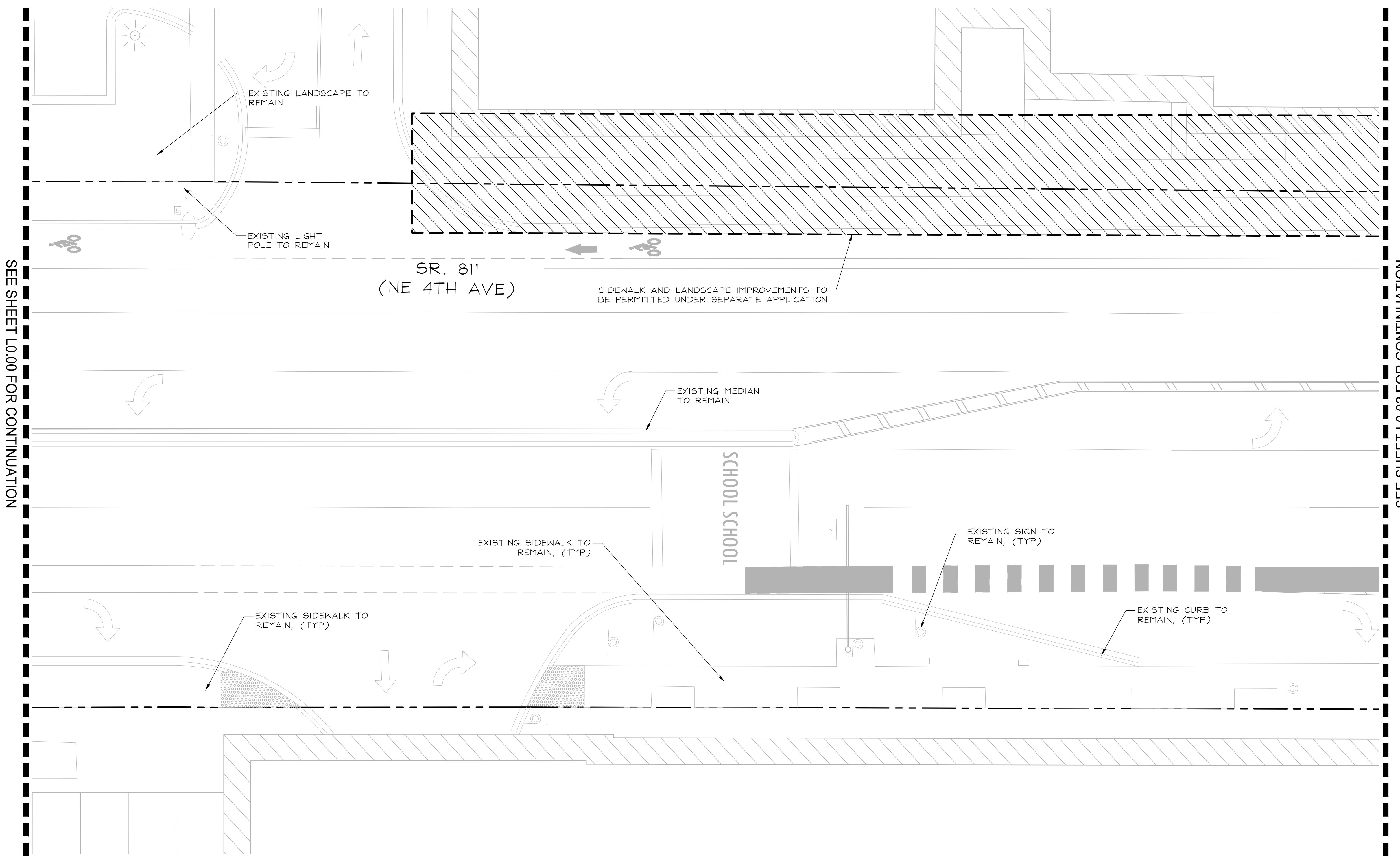
VERTICAL DATUM
 ELEVATIONS SHOWN HEREON ARE BASED ON THE
 NORTH AMERICAN VERTICAL DATUM OF 1988.
 NAVD '88 ELEV. + 1.565' = NGVD '29 ELEVATION

THE PRESENCE OF GROUNDWATER SHOULD BE
 ANTICIPATED. CONTRACTOR'S BID SHALL
 INCLUDE CONSIDERATION FOR ADDRESSING THIS
 ISSUE AND OBTAINING ALL NECESSARY PERMITS.

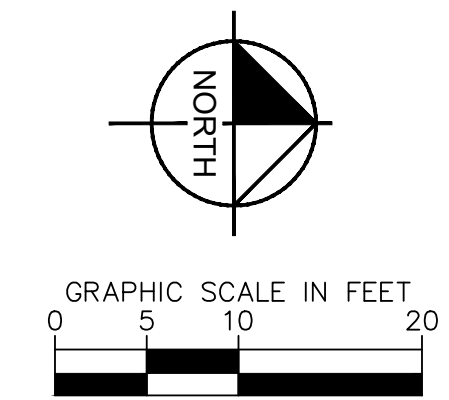
CALL 2 WORKING DAYS
 BEFORE YOU DIG

811
 IT'S THE LAW!
 DIAL 811
 Know what's below.
 Call before you dig.

SUNSHINE STATE ONE CALL OF FLORIDA, INC.



Plotted By: Hargrett, Tom Sheet Set: NE 4th Avenue Layout: L0.01 DEMOLITION PLAN June 29, 2022 09:05:22am K:\WPB_LURC\04318\061 - NE 4th AVE FTL\CAD\Plansheets\L0.00 DEMOLITION PLAN.dwg



Kimley»Horn
1920 WEKIVA WAY #200
WEST PALM BEACH, FL 33411
PHONE: 561-845-0665 FAX:
561-330-2245
WWW.KIMLEY-HORN.COM
REGISTRY 696
© 2022 KIMLEY-HORN AND
ASSOCIATES, INC.

SEAL:
JONATHAN D. HAIGH, PLA
STATE LICENSE NUMBER
LA #6666795
06/30/2022

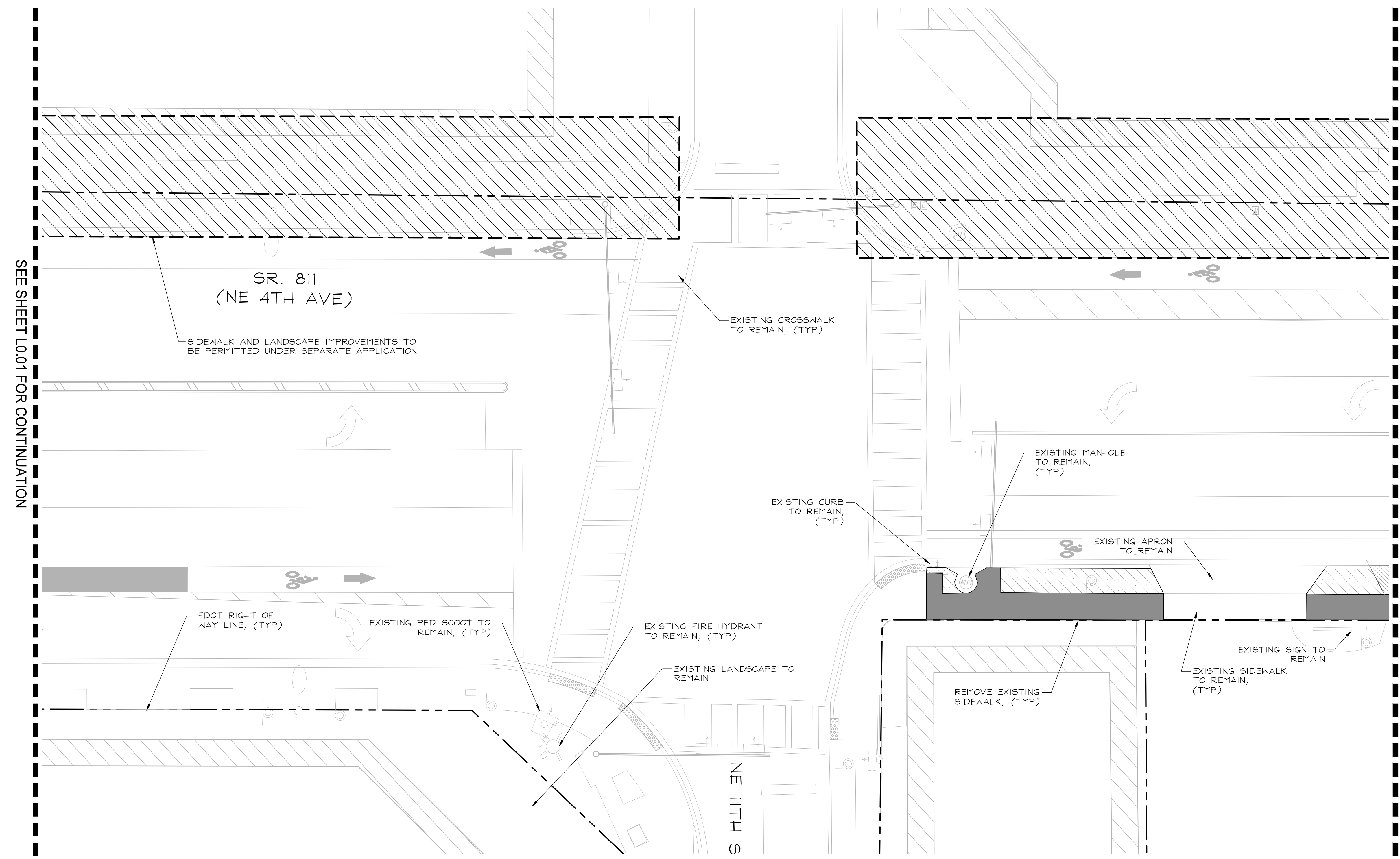
DATE: 07/01/2021
DRAWN BY: AS
DESIGNED BY: SHAWN
CHECKED BY:
FIELD BOOK:

CITY OF FORT LAUDERDALE
TRANSPORTATION
&
MOBILITY

290 NE 3RD AVE, FORT LAUDERDALE, FL 33301

NO.	DATE	BY	REVISIONS	DESCRIPTION

PROJECT # 12557
NE 4TH AVENUE STREETSCAPE PROJECT
E SUNRISE BLVD TO NE 13TH ST
FORT LAUDERDALE, FL
DEMOLITION PLAN
SHEET NO.
L0.02



KEY

- REMOVE EXISTING SIDEWALK
- REMOVE EXISTING SHRUBS/GROUNDCOVERS/TURFGRASS. TREES TO REMAIN. REFER TO TREE DISPOSITION PLANS.
- REMOVE EXISTING CONCRETE APRON

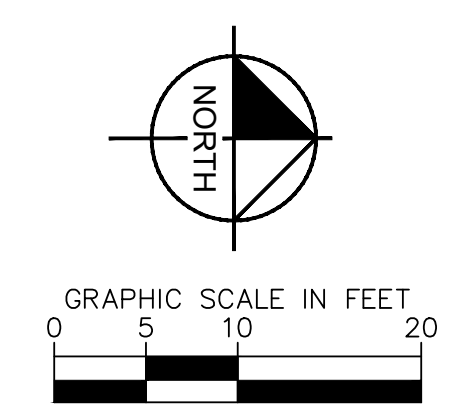
SEE SHEET L0.01 FOR CONTINUATION

SEE SHEET L0.03 FOR CONTINUATION

VERTICAL DATUM
ELEVATIONS SHOWN HEREON ARE BASED ON THE
NORTH AMERICAN VERTICAL DATUM OF 1988.
NAVD '88 ELEV. + 1.565' = NGVD '29 ELEVATION

THE PRESENCE OF GROUNDWATER SHOULD BE
ANTICIPATED. CONTRACTOR'S BID SHALL
INCLUDE CONSIDERATION FOR ADDRESSING THIS
ISSUE AND OBTAINING ALL NECESSARY PERMITS.

CALL 2 WORKING DAYS
BEFORE YOU DIG
811
IT'S THE LAW!
DIAL 811
Know what's below.
Call before you dig.
SUNSHINE STATE ONE CALL OF FLORIDA, INC.



Kimley»Horn
1920 WEKIVA WAY #200
WEST PALM BEACH, FL 33411
PHONE: 561-845-0665 FAX:
561-330-2245
WWW.KIMLEY-HORN.COM
REGISTRY 696
© 2022 KIMLEY-HORN AND
ASSOCIATES, INC.

SEAL:
JONATHAN D. HAIGH, PLA
STATE LICENSE NUMBER
LA #6666795
06/30/2022

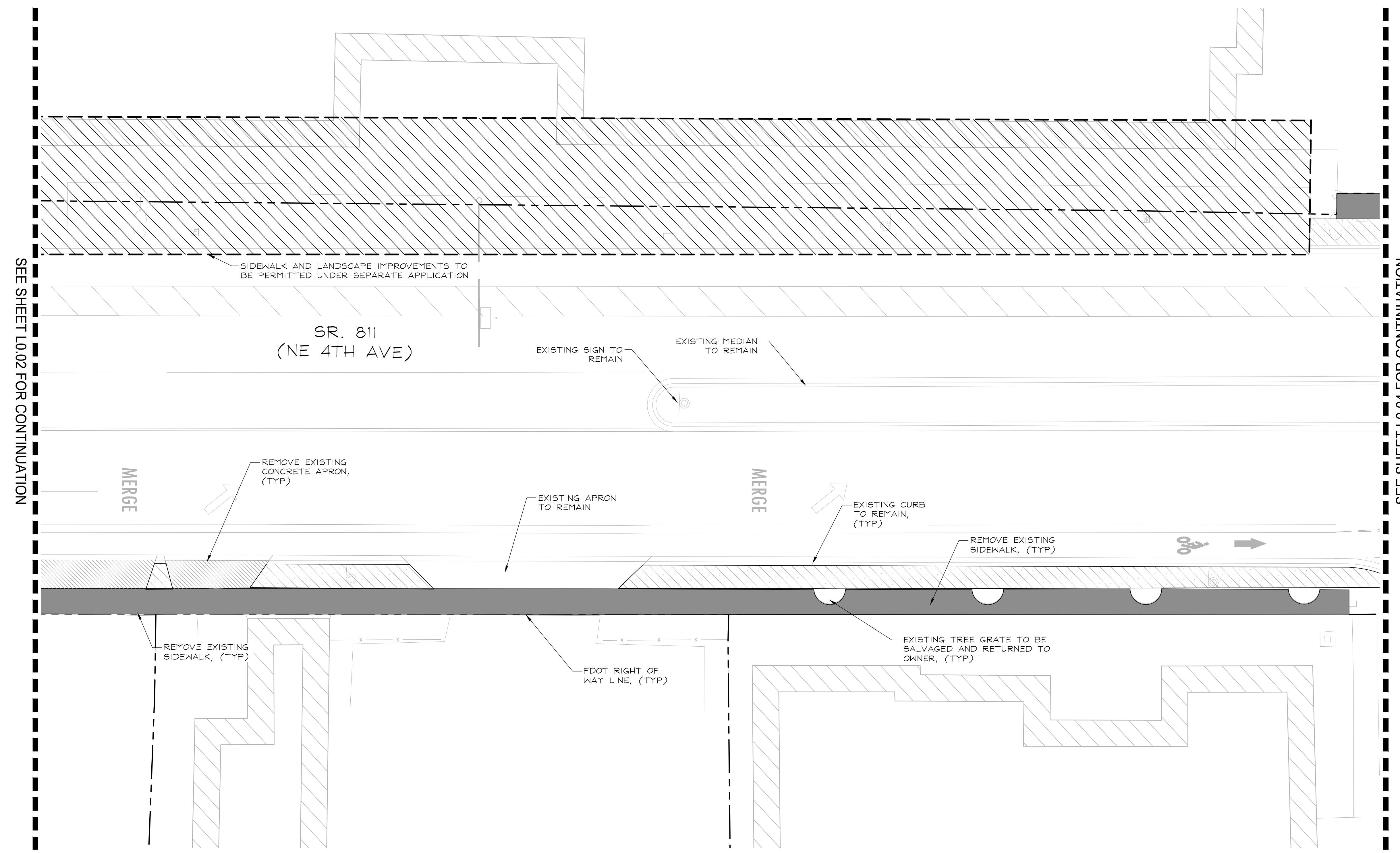
DATE: 07/01/2021
DRAWN BY: AS
DESIGNED BY: SHAWN
CHECKED BY:
FIELD BOOK:

CITY OF FORT LAUDERDALE
TRANSPORTATION
&
MOBILITY

250 NE 3RD AVE., FORT LAUDERDALE, FL 33301

REVISIONS	
NO.	DESCRIPTION

PROJECT # 12557
NE 4TH AVENUE STREETSCAPE PROJECT
E SUNRISE BLVD TO NE 13TH ST
FORT LAUDERDALE, FL
DEMOLITION PLAN
SHEET NO.
L0.03



KEY

REMOVE EXISTING SIDEWALK	
REMOVE EXISTING SHRUBS/GROUNDCOVERS/TURFGRASS. TREES TO REMAIN. REFER TO TREE DISPOSITION PLANS.	
REMOVE EXISTING CONCRETE APRON	

VERTICAL DATUM
ELEVATIONS SHOWN HEREON ARE BASED ON THE
NORTH AMERICAN VERTICAL DATUM OF 1988.
NAVD '88 ELEV. + 1.565' = NGVD '29 ELEVATION

THE PRESENCE OF GROUNDWATER SHOULD BE
ANTICIPATED. CONTRACTOR'S BID SHALL
INCLUDE CONSIDERATION FOR ADDRESSING THIS
ISSUE AND OBTAINING ALL NECESSARY PERMITS.

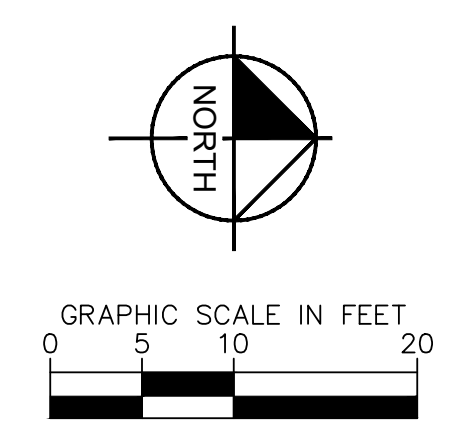
CALL 2 WORKING DAYS
BEFORE YOU DIG

IT'S THE LAW!
DIAL 811

Know what's below.
Call before you dig.

SUNSHINE STATE ONE CALL OF FLORIDA, INC.

Plotted By: Hargrett, Tom Sheet Set: NE 4th Avenue Layout: L0.03 DEMOLITION PLAN June 29, 2022 09:09:31am K:\WPB_LURC\04318\061 - NE 4th AVE FTL\CAD\Plansheets\L0.00 DEMOLITION PLAN.dwg



Kimley»Horn
1920 WEKIVA WAY #200
WEST PALM BEACH, FL 33411
PHONE: 561-845-0665 FAX:
561-330-2245
WWW.KIMLEY-HORN.COM
REGISTRY 696
© 2022 KIMLEY-HORN AND
ASSOCIATES, INC.

SEAL:
JONATHAN D. HAIGH, PLA
STATE LICENSE NUMBER
LA #6666795
06/30/2022

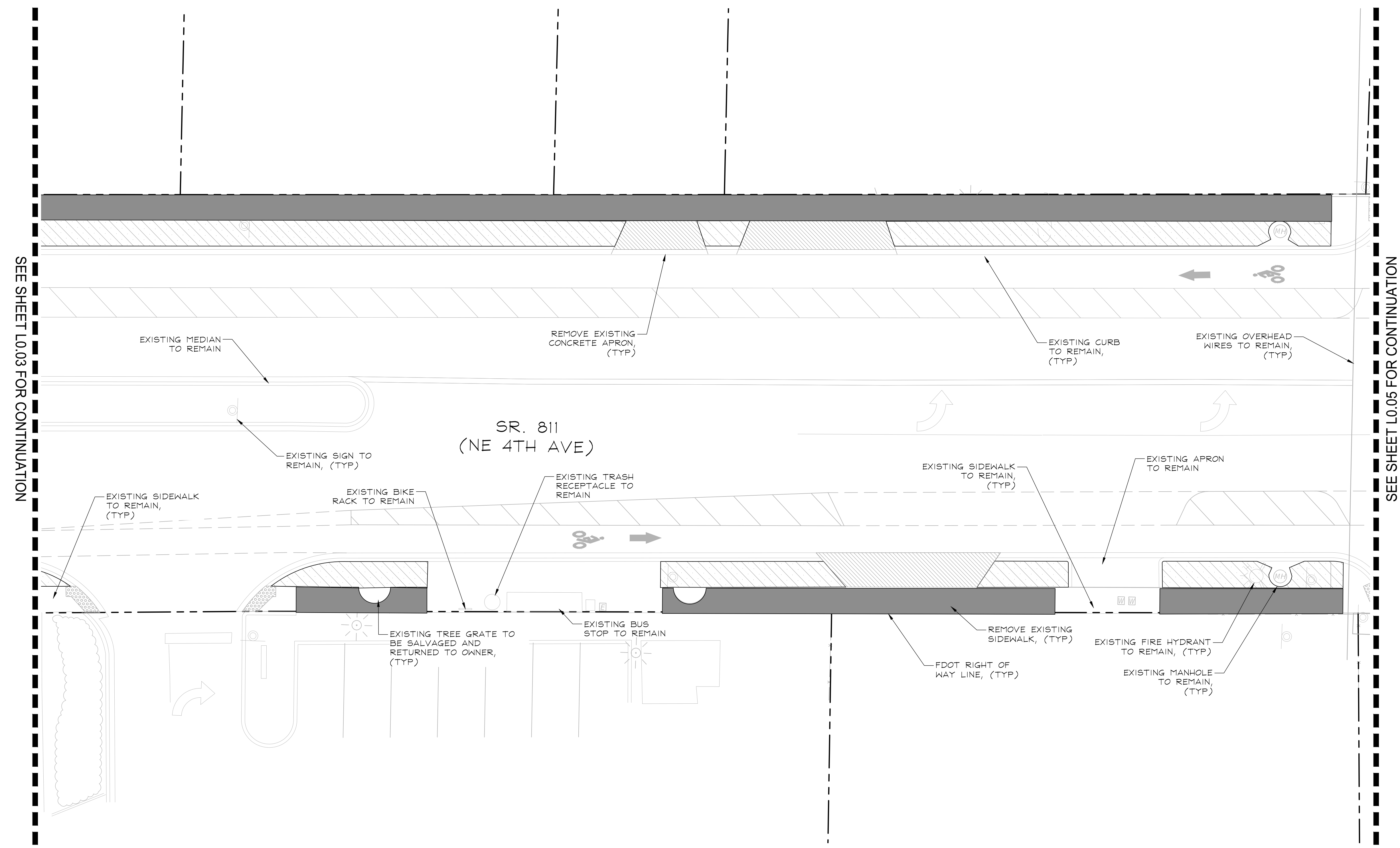
DATE: 07/01/2021
DRAWN BY: AS
DESIGNED BY: AS
CHECKED BY: SHAWN
FIELD BOOK:

CITY OF FORT LAUDERDALE
TRANSPORTATION
&
MOBILITY

290 NE 3RD AVE., FORT LAUDERDALE, FL 33301

NO.	DATE	BY	REVISIONS	DESCRIPTION

PROJECT # 12557
NE 4TH AVENUE STREETSCAPE PROJECT
E SUNRISE BLVD TO NE 13TH ST
FORT LAUDERDALE, FL
DEMOLITION PLAN
SHEET NO.
L0.04



SEE SHEET L0.03 FOR CONTINUATION

SEE SHEET L0.05 FOR CONTINUATION

KEY

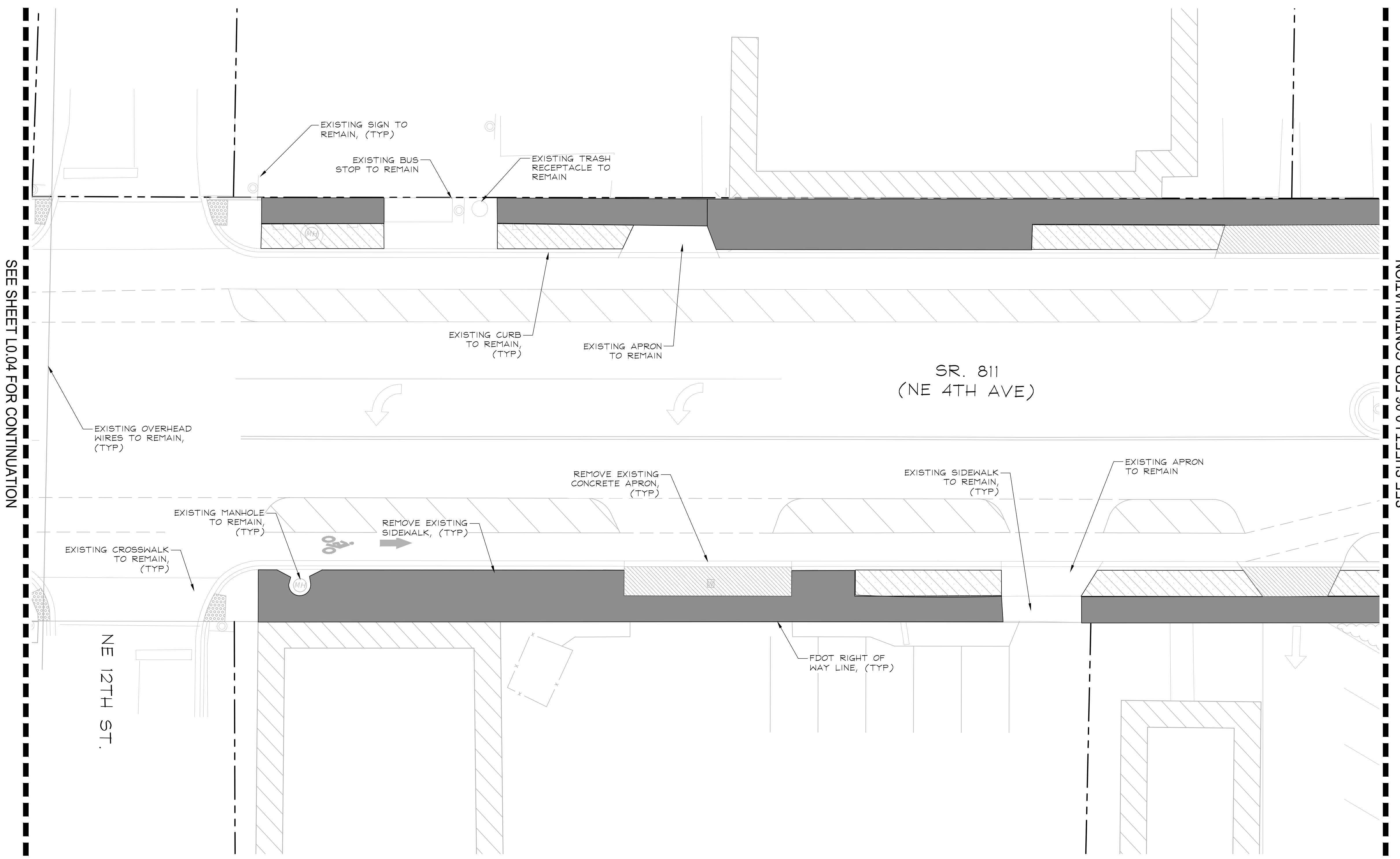
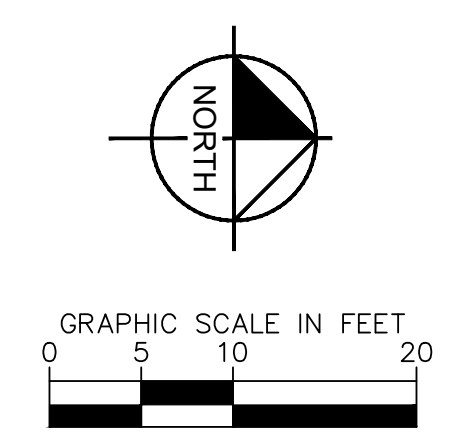
- REMOVE EXISTING SIDEWALK
- REMOVE EXISTING SHRUBS/GROUNDCOVERS/ TURFGRASS. TREES TO REMAIN. REFER TO TREE DISPOSITION PLANS.
- REMOVE EXISTING CONCRETE APRON

VERTICAL DATUM
ELEVATIONS SHOWN HEREON ARE BASED ON THE NORTH AMERICAN VERTICAL DATUM OF 1988.
NAVD '88 ELEV. + 1.565' = NGVD '29 ELEVATION

THE PRESENCE OF GROUNDWATER SHOULD BE ANTICIPATED. CONTRACTOR'S BID SHALL INCLUDE CONSIDERATION FOR ADDRESSING THIS ISSUE AND OBTAINING ALL NECESSARY PERMITS.

CALL 2 WORKING DAYS BEFORE YOU DIG **811**
IT'S THE LAW! DIAL 811 **Know what's below. Call before you dig.**
SUNSHINE STATE ONE CALL OF FLORIDA, INC.

Plotted By: Hargrett, Tom Sheet Set: NE 4th Avenue Layout: L0.04 DEMOLITION PLAN June 29, 2022 09:09:36am K:\WPB_LURC\CAD\Drawings\LD.00 DEMOLITION PLAN.dwg



SEE SHEET L0.04 FOR CONTINUATION

SEE SHEET L0.06 FOR CONTINUATION

KEY

REMOVE EXISTING SIDEWALK	
REMOVE EXISTING SHRUBS/GROUNDCOVERS/ TURFGRASS. TREES TO REMAIN. REFER TO TREE DISPOSITION PLANS.	
REMOVE EXISTING CONCRETE APRON	

Kimley»Horn
 1920 WEKIVA WAY #200
 WEST PALM BEACH, FL 33411
 PHONE: 561-845-0665 FAX: 561-390-2245
 WWW.KIMLEY-HORN.COM
 REGISTRY 696
 © 2022 KIMLEY-HORN AND ASSOCIATES, INC.

SEAL:
 JONATHAN D. HAIGH, PLA
 STATE LICENSE NUMBER
 LA #6666795
 06/30/2022

DATE: 07/01/2021
 DRAWN BY: AS SHOWN
 DESIGNED BY: AS SHOWN
 CHECKED BY:
 FIELD BOOK:

CITY OF FORT LAUDERDALE
 TRANSPORTATION & MOBILITY

 290 NE 3RD AVE, FORT LAUDERDALE, FL 33301

REVISIONS		DESCRIPTION
NO.	DATE	BY (IWD)

PROJECT # 12557
 NE 4TH AVENUE STREETSCAPE PROJECT
 E SUNRISE BLVD TO NE 13TH ST
 FORT LAUDERDALE, FL
 DEMOLITION PLAN

SHEET NO.
L0.05

VERTICAL DATUM
 ELEVATIONS SHOWN HEREON ARE BASED ON THE NORTH AMERICAN VERTICAL DATUM OF 1988.
 NAVD '88 ELEV. + 1.565' = NGVD '29 ELEVATION

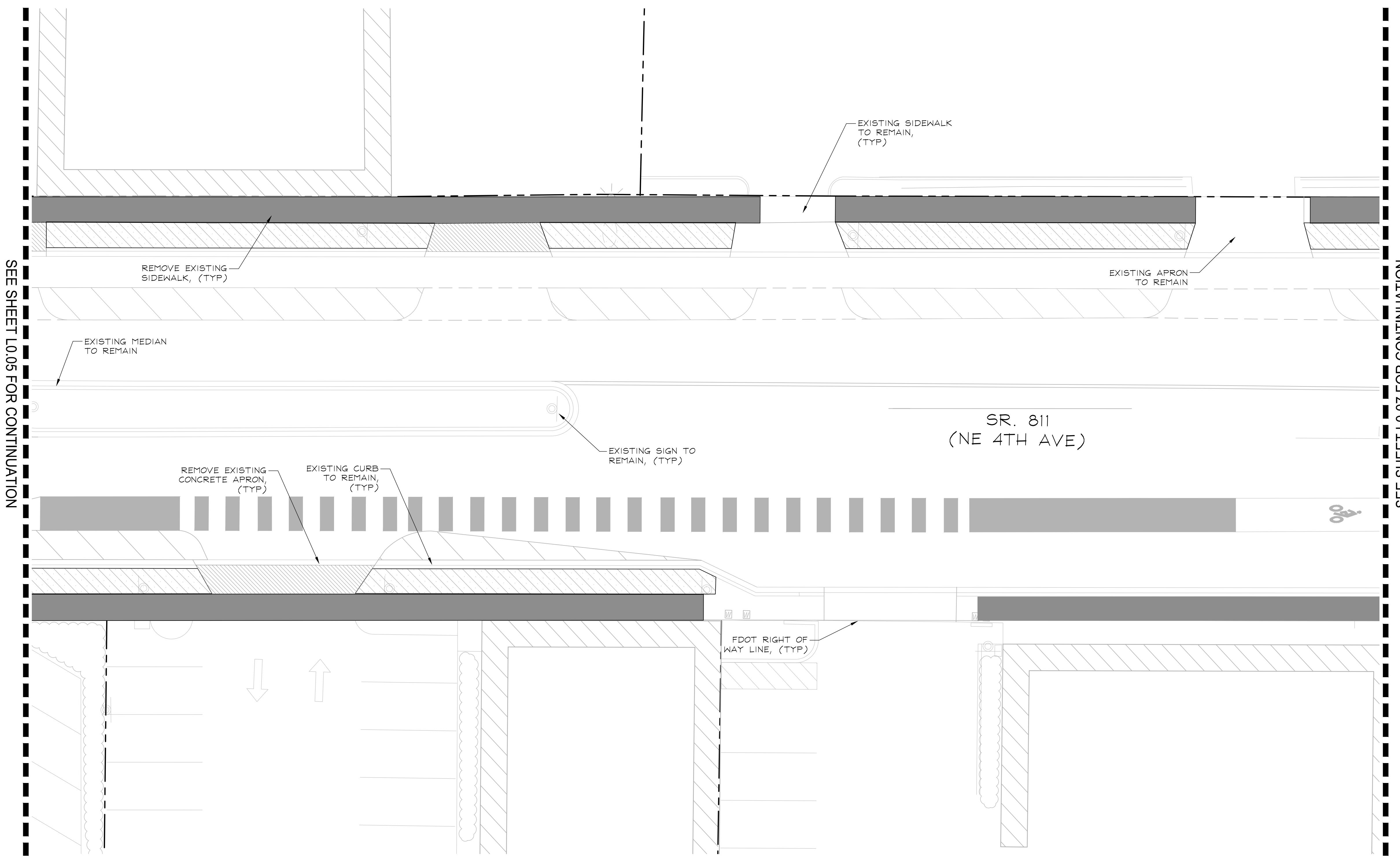
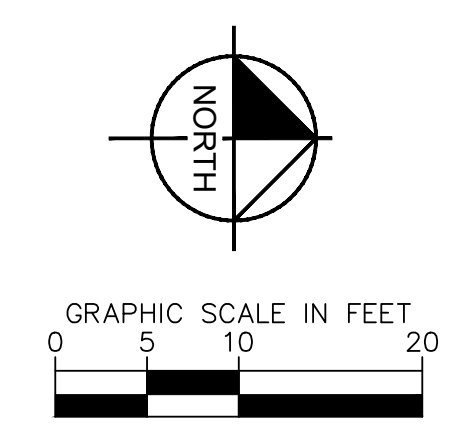
THE PRESENCE OF GROUNDWATER SHOULD BE ANTICIPATED. CONTRACTOR'S BID SHALL INCLUDE CONSIDERATION FOR ADDRESSING THIS ISSUE AND OBTAINING ALL NECESSARY PERMITS.

CALL 2 WORKING DAYS BEFORE YOU DIG

IT'S THE LAW!
 DIAL 811

Know what's below.
 Call before you dig.

SUNSHINE STATE ONE CALL OF FLORIDA, INC.



SEE SHEET L0.05 FOR CONTINUATION

SEE SHEET L0.07 FOR CONTINUATION

KEY

REMOVE EXISTING SIDEWALK	
REMOVE EXISTING SHRUBS/GROUNDCOVERS/TURFGRASS. TREES TO REMAIN. REFER TO TREE DISPOSITION PLANS.	
REMOVE EXISTING CONCRETE APRON	

Kimley»Horn
 1920 WEKIVA WAY #200
 WEST PALM BEACH, FL 33411
 PHONE: 561-845-0665 FAX:
 561-330-2245
 WWW.KIMLEY-HORN.COM
 REGISTRY 696
 © 2022 KIMLEY-HORN AND
 ASSOCIATES, INC.

SEAL:
 JONATHAN D. HAIGH, PLA
 STATE LICENSE NUMBER
 LA #6666795
 06/30/2022

DATE: 07/01/2021
 DRAWN BY: AS
 DESIGNED BY: AS
 CHECKED BY: SHAWN
 FIELD BOOK:

CITY OF FORT LAUDERDALE
 TRANSPORTATION & MOBILITY

 290 NE 3RD AVE., FORT LAUDERDALE, FL 33301

REVISIONS		NO.	DATE	BY	DESCRIPTION

PROJECT # 12557
 NE 4TH AVENUE STREETSCAPE PROJECT
 E SUNRISE BLVD TO NE 13TH ST
 FORT LAUDERDALE, FL
 DEMOLITION PLAN

SHEET NO.
L0.06

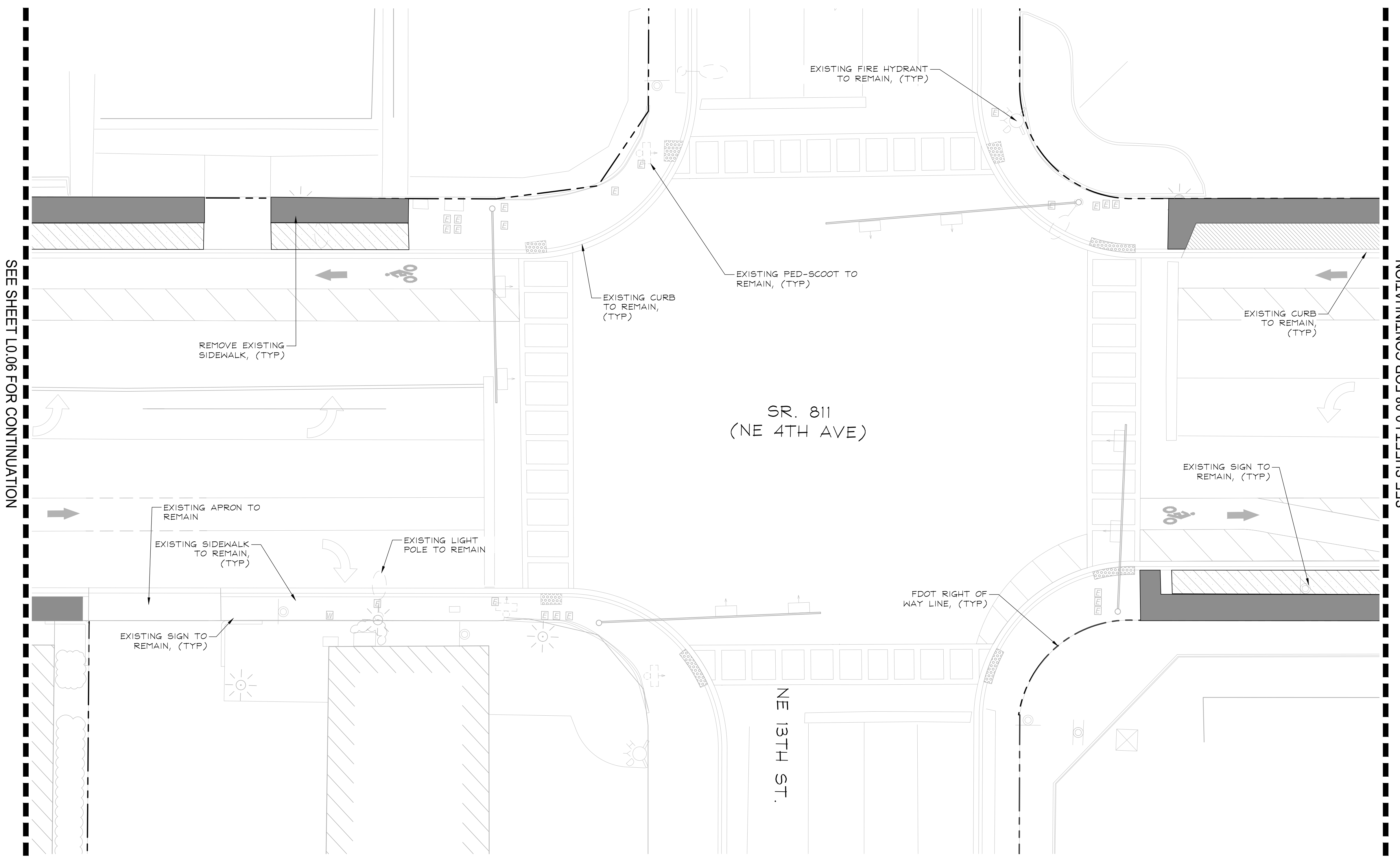
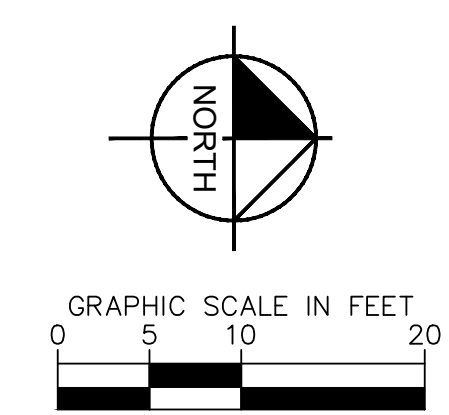
VERTICAL DATUM
 ELEVATIONS SHOWN HEREON ARE BASED ON THE
 NORTH AMERICAN VERTICAL DATUM OF 1988.
 NAVD '88 ELEV. + 1.565' = NGVD '29 ELEVATION

THE PRESENCE OF GROUNDWATER SHOULD BE
 ANTICIPATED. CONTRACTOR'S BID SHALL
 INCLUDE CONSIDERATION FOR ADDRESSING THIS
 ISSUE AND OBTAINING ALL NECESSARY PERMITS.

CALL 2 WORKING DAYS
 BEFORE YOU DIG

811
 IT'S THE LAW!
 DIAL 811
 Know what's below.
 Call before you dig.

SUNSHINE STATE ONE CALL OF FLORIDA, INC.



SEE SHEET L0.06 FOR CONTINUATION

SEE SHEET L0.08 FOR CONTINUATION

KEY

REMOVE EXISTING SIDEWALK	
REMOVE EXISTING SHRUBS/GROUNDCOVERS/ TURFGRASS. TREES TO REMAIN. REFER TO TREE DISPOSITION PLANS.	
REMOVE EXISTING CONCRETE APRON	

Kimley»Horn
 1920 WEKIVA WAY #200
 WEST PALM BEACH, FL 33411
 PHONE: 561-845-0665 FAX: 561-330-2245
 WWW.KIMLEY-HORN.COM
 REGISTRY 696
 © 2022 KIMLEY-HORN AND ASSOCIATES, INC.

SEAL:
 JONATHAN D. HAIGH, PLA
 STATE LICENSE NUMBER
 LA #6666795
 06/30/2022

DATE: 07/01/2021
 DESIGNED BY: JAS
 CHECKED BY: SHAWN
 FIELD BOOK:

CITY OF FORT LAUDERDALE
 TRANSPORTATION & MOBILITY

 290 NE 3RD AVE, FORT LAUDERDALE, FL 33301

REVISIONS		DESCRIPTION
NO.	DATE	BY (REV)

PROJECT # 12557
 NE 4TH AVENUE STREETSCAPE PROJECT
 E SUNRISE BLVD TO NE 13TH ST
 FORT LAUDERDALE, FL
 DEMOLITION PLAN

SHEET NO.
L0.07

VERTICAL DATUM
 ELEVATIONS SHOWN HEREON ARE BASED ON THE NORTH AMERICAN VERTICAL DATUM OF 1988.
 NAVD '88 ELEV. + 1.565' = NGVD '29 ELEVATION

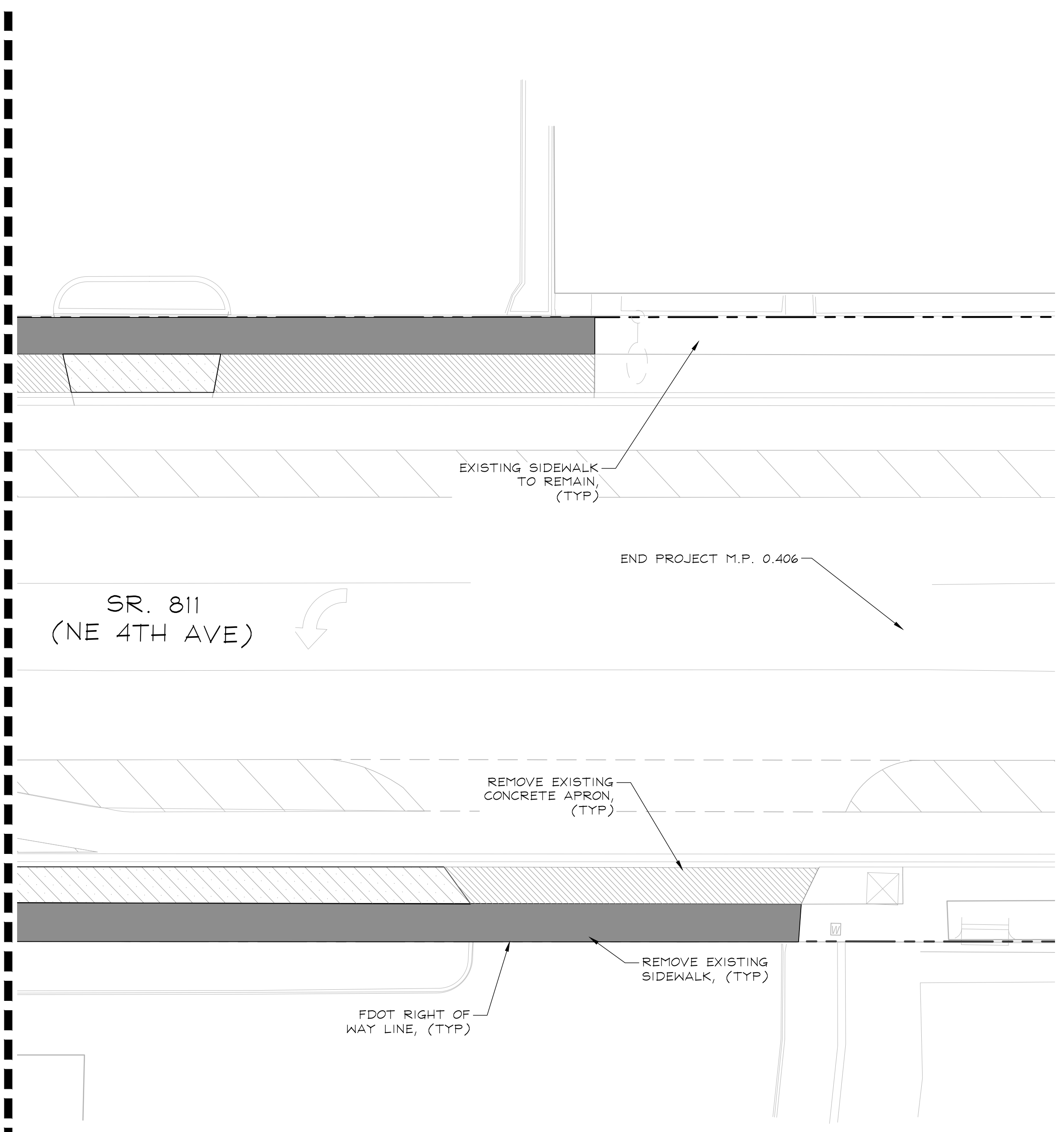
THE PRESENCE OF GROUNDWATER SHOULD BE ANTICIPATED. CONTRACTOR'S BID SHALL INCLUDE CONSIDERATION FOR ADDRESSING THIS ISSUE AND OBTAINING ALL NECESSARY PERMITS.

CALL 2 WORKING DAYS BEFORE YOU DIG

IT'S THE LAW!
 DIAL 811
 Know what's below.
 Call before you dig.

SUNSHINE STATE ONE CALL OF FLORIDA, INC.

SEE SHEET L0.07 FOR CONTINUATION

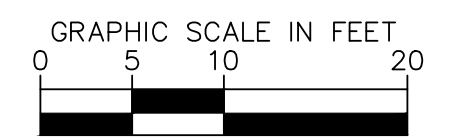
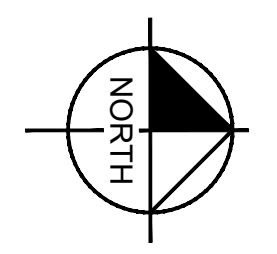


KEY

REMOVE EXISTING SIDEWALK	
REMOVE EXISTING SHRUBS/GROUNDCOVERS/TURFGRASS. TREES TO REMAIN. REFER TO TREE DISPOSITION PLANS.	
REMOVE EXISTING CONCRETE APRON	

DEMOLITION NOTES

1. ANY ITEMS TO REMAIN THAT ARE DAMAGED BY THE CONTRACTOR SHALL BE REPLACED TO THE EXISTING CONDITION OR BETTER AT THE CONTRACTOR'S EXPENSE.
2. REFER TO LANDSCAPE PLANS FOR TREE REMOVAL, RELOCATION, AND PROTECTION INFORMATION. ANY AREAS FOR LANDSCAPING SHALL HAVE ALL BASE AND SUBGRADE MATERIAL REMOVED TO A DEPTH OF 3 FEET.
3. ALL VALVE BOXES, MANHOLES, CATCH BASINS, AND OTHER ITEMS TO REMAIN SHALL BE ADJUSTED TO PROPOSED GRADE.
4. THE INTENT OF THE DEMOLITION PLAN IS TO DEPICT EXISTING FEATURES THAT ENCUMBER THE PROPOSED CONSTRUCTION AREA AND ARE SCHEDULED FOR REMOVAL. SOME INCIDENTAL ITEMS MAY HAVE BEEN INADVERTENTLY OMITTED FROM THE PLAN. THE CONTRACTOR IS ENCOURAGED TO THOROUGHLY INSPECT THE SITE AS WELL AS REVIEW THE PLANS AND SPECIFICATIONS PRIOR TO SUBMITTING PRICING. CONTRACTOR WILL NOT RECEIVE ADDITIONAL COMPENSATION FOR INCIDENTAL ITEMS NOT SHOWN ON THIS DEMOLITION PLAN.
5. THIS DEMOLITION PLAN IS BASED ON AVAILABLE UTILITY INFORMATION AND MAY OR MAY NOT BE ALL INCLUSIVE FOR THIS SITE. ANY UTILITIES ENCOUNTERED DURING DEMOLITION THAT ARE NOT DEPICTED/ADDRESSED ON THIS DRAWING SHOULD BE BROUGHT TO THE ATTENTION OF THE PROJECT ENGINEER IMMEDIATELY.
6. CONTRACTOR IS REQUIRED TO OBTAIN ALL DEMOLITION AND DEWATERING PERMITS, IF APPLICABLE.
7. ALL FEATURES IDENTIFIED ON THIS PLAN WHICH ARE LISTED TO BE DEMOLISHED ARE TO BE REMOVED FROM THE SITE.
8. CONTRACTOR SHALL LIMIT ALL DEMOLITION ACTIVITIES TO THOSE AREAS DELINEATED ON THE CONSTRUCTION DRAWINGS UNLESS OTHERWISE DIRECTED BY THE DEVELOPER OR AS REQUIRED FOR CONSTRUCTION OF IMPROVEMENTS.
9. CONTRACTOR IS RESPONSIBLE FOR CONTROLLING AIRBORNE DUST AND POLLUTANTS BY USING WATER SPRINKLING OR OTHER SUITABLE MEANS OF CONTROL.
10. CONTRACTOR TO USE CARE IN HANDLING DEBRIS FROM SITE TO ENSURE THE SAFETY OF THE PUBLIC. HAUL ROUTE TO BE CLOSELY MONITORED FOR DEBRIS OR MATERIALS TRACKED ONTO ADJOINING ROADWAYS, SIDEWALKS, ETC. ROADWAYS AND WALKWAYS TO BE CLEARED DAILY OR AS NECESSARY TO MAINTAIN PUBLIC SAFETY.
11. ALL ASPHALT TO BE REMOVED SHALL BE SAW CUT ADJACENT TO REMAINING IMPROVEMENTS.
12. WHERE REMAINING, INLETS, MANHOLE COVERS, AND VALVE COVERS TO BE PROTECTED IN PAVEMENT REMOVAL AREAS. CONTRACTOR SHALL REPLACE DAMAGED STRUCTURES AT THEIR EXPENSE.
13. CONTRACTOR MUST PROTECT THE PUBLIC AT ALL TIMES WITH FENCING, BARRICADES, ENCLOSURES, ETC. AS APPROVED BY THE CITY OF DELRAY BEACH AND CONSTRUCTION MANAGER.
14. CONTINUOUS ACCESS SHALL BE MAINTAINED FOR SURROUNDING PROPERTIES AT ALL TIMES DURING DEMOLITION OF EXISTING FACILITIES AND CONSTRUCTION OF NEW FACILITIES. SIGNAGE SHALL BE POSTED TO DIRECT THE PUBLIC TO THE PATH OF TRAVEL.
15. ALL MATERIAL REMOVED FROM THIS SITE BY THE CONTRACTOR SHALL BE DISPOSED OF BY THE CONTRACTOR IN A LEGAL MANNER.
16. REFER TO THE TOPOGRAPHIC SURVEY FOR ADDITIONAL DETAILS OF EXISTING STRUCTURES, ETC., LOCATED WITHIN THE PROJECT SITE. UNLESS OTHERWISE NOTED, ALL EXISTING BUILDINGS, STRUCTURES, SLABS, CONCRETE, ASPHALT, DEBRIS PILES, SIGNS, AND ALL APPURTENANCES ARE TO BE REMOVED FROM THE SITE BY THE CONTRACTOR AND PROPERLY DISPOSED OF IN A LEGAL MANNER AS PART OF THIS CONTRACT. SOME ITEMS TO BE REMOVED MAY NOT BE DEPICTED ON THE TOPOGRAPHIC SURVEY. IT IS THE CONTRACTOR'S RESPONSIBILITY TO VISIT THE SITE AND DETERMINE THE FULL EXTENT OF ITEMS TO BE REMOVED. IF ANY ITEMS ARE IN QUESTION, THE CONTRACTOR SHALL CONTACT THE OWNER PRIOR TO REMOVAL OF SAID ITEMS.
17. ALL TREES NOT SPECIFICALLY SHOWN TO BE PRESERVED OR RELOCATED SHALL BE REMOVED AS A PART OF THIS CONTRACT. TREE PROTECTION FENCING SHALL BE INSTALLED PRIOR TO ANY DEMOLITION.
18. CONTRACTOR MUST COORDINATE THE LIMITS OF UTILITY DEMOLITION WITH PROPOSED PLANS.



VERTICAL DATUM
 ELEVATIONS SHOWN HEREON ARE BASED ON THE NORTH AMERICAN VERTICAL DATUM OF 1988.
 NAVD '88 ELEV. + 1.565' = NGVD '29 ELEVATION

THE PRESENCE OF GROUNDWATER SHOULD BE ANTICIPATED. CONTRACTOR'S BID SHALL INCLUDE CONSIDERATION FOR ADDRESSING THIS ISSUE AND OBTAINING ALL NECESSARY PERMITS.

CALL 2 WORKING DAYS BEFORE YOU DIG **811**

IT'S THE LAW!
 DIAL 811

Know what's below.
 Call before you dig.

SUNSHINE STATE ONE CALL OF FLORIDA, INC.

Kimley»Horn
 1920 WEKIVA WAY #200
 WEST PALM BEACH, FL 33411
 PHONE: 561-845-0665 FAX: 561-330-3245
 WWW.KIMLEY-HORN.COM
 REGISTRY 696
 © 2022 KIMLEY-HORN AND ASSOCIATES, INC.

SEAL:
 JONATHAN D. HAIGH, PLA
 STATE LICENSE NUMBER
 LA #6666795
 06/30/2022

DATE: 07/01/2021
 DRAWN BY: [blank]
 DESIGNED BY: [blank]
 CHECKED BY: [blank]
 FIELD BOOK: [blank]

CITY OF FORT LAUDERDALE
 TRANSPORTATION & MOBILITY

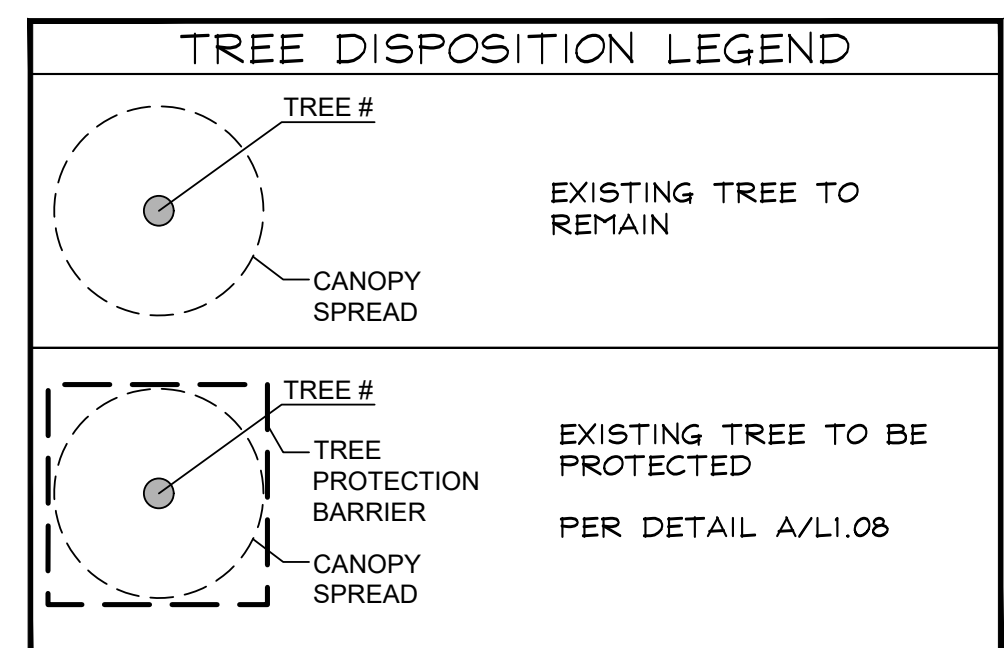
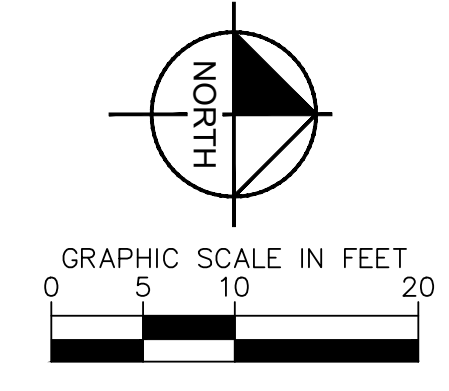
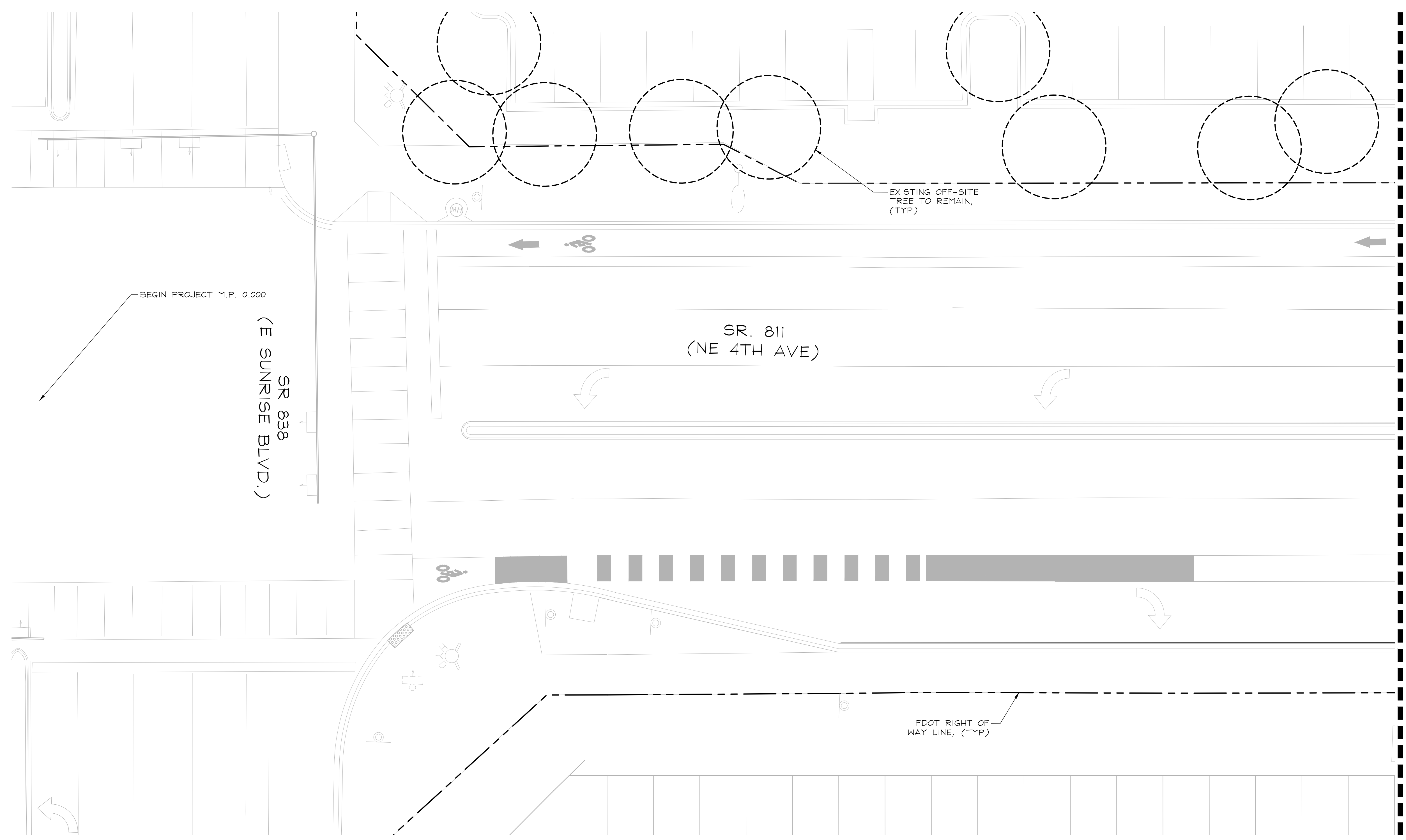
 290 NE 3RD AVE, FORT LAUDERDALE, FL 33301

NO.	DATE	BY	DESCRIPTION

PROJECT # 12557
 NE 4TH AVENUE STREETSCAPE PROJECT
 E SUNRISE BLVD TO NE 13TH ST
 FORT LAUDERDALE, FL
 DEMOLITION PLAN

SHEET NO.
L0.08

Plotted By: Hargrett, Tom Sheet Set: NE 4th Avenue Layout: L1.00 TREE DISPOSITION PLAN June 29, 2022 09:09:58am K:\WPB_LRG\04-3184061 - NE 4th Ave FTL\CAD\Plansheets\L1.00 TREE DISPOSITION.dwg




SEE SHEET L1.01 FOR CONTINUATION

Kimley»Horn
 1920 WEKIVA WAY #200
 WEST PALM BEACH, FL 33411
 PHONE: 561-845-0665 FAX:
 561-330-2245
 WWW.KIMLEY-HORN.COM
 REGISTRY 696
 © 2022 KIMLEY-HORN AND
 ASSOCIATES, INC.

SEAL:
 JONATHAN D. HAIGH, PLA
 STATE LICENSE NUMBER
 LA #6666795
 06/30/2022

DATE: 07/01/2021
 DRAWN BY: AS
 DESIGNED BY: AS
 CHECKED BY: SHAWN
 FIELD BOOK:

CITY OF FORT LAUDERDALE
 TRANSPORTATION
 &
 MOBILITY

 250 NE 3RD AVE, FORT LAUDERDALE, FL 33301

NO.	DATE	BY	DESCRIPTION

PROJECT # 12557
 NE 4TH AVENUE STREETSCAPE PROJECT
 E SUNRISE BLVD TO NE 13TH ST
 FORT LAUDERDALE, FL
 TREE DISPOSITION PLAN

SHEET NO.
L1.00

VERTICAL DATUM
 ELEVATIONS SHOWN HEREON ARE BASED ON THE
 NORTH AMERICAN VERTICAL DATUM OF 1988.
 NAVD '88 ELEV. + 1.565' = NGVD '29 ELEVATION

THE PRESENCE OF GROUNDWATER SHOULD BE
 ANTICIPATED. CONTRACTOR'S BID SHALL
 INCLUDE CONSIDERATION FOR ADDRESSING THIS
 ISSUE AND OBTAINING ALL NECESSARY PERMITS.

CALL 2 WORKING DAYS
 BEFORE YOU DIG

811
 IT'S THE LAW!
 DIAL 811
 Know what's below.
 Call before you dig.

SUNSHINE STATE ONE CALL OF FLORIDA, INC.