

# BEACH BUSINESS IMPROVEMENT DISTRICT (BID)

## FUNDING REQUEST APPLICATION

(Applications Should be Submitted at Least 120 Prior to the Project Date)

**(1) Name of Project:**

A1A Streetscape Improvements

---

**(2) Location of Project – Please provide a location map:**

West side of A1A from Alhambra Street north to Sunrise Boulevard.

---

**(3) Date(s) of Project:**

Design: May 2016- October 2016

Construction: April 2017-November 2017

---

**(4) Hours of Operation:**

Not Applicable

---

**(6) Project Summary:**

Install new pedestrian light poles on the west side of A1A from Alhambra Street to Sunrise Boulevard. This will provide consistent pedestrian lighting on the west side of A1A from North of Sunrise to the South Beach Park entrance.

---

**(7) Provide a detail plan that explains how the money will be spent. Attach a narrative, if necessary.**

The BID dollars will pay for design and construction bid documents for the proposed pedestrian lighting. The City will enter into a Joint Participation Agreement (JPA) with the Florida Department of Transportation (FDOT) to pay for the construction of the pedestrian lights.

---

**(8) Explain in detail the positive economic impact the proposed project will have for the BID and Beach Business. Discuss how these impacts will be measured and**

**reported to the BID Committee upon completion of the event. Attach a narrative if necessary.**

The proposed pedestrian lights will provide consistent sidewalk lighting along A1A. This will increase pedestrian safety and encourage more sidewalk foot traffic.

---

**(9) Explain in detail how the proposed project will aid in the BID's efforts to identity or brand the beach as a world-class destination. Attach a narrative if necessary.**

Providing additional lighting on the beach enhances pedestrian and vehicular safety thus improving the experience for the visitors and residents.

---

**(10) BID funding, if approved, shall only be "seed" money, with contributions reduced in subsequent years. Provide a business plan detailing how the proposed event will become self-sustaining within 3 to 5 years. Attach a narrative if necessary.**

Not Applicable.

---

**(11) Total Cost of Project:**

Design: \$71,531

Construction: \$1,500,000

---

**(12) Revenue Sources (other than amount requested from BID):**

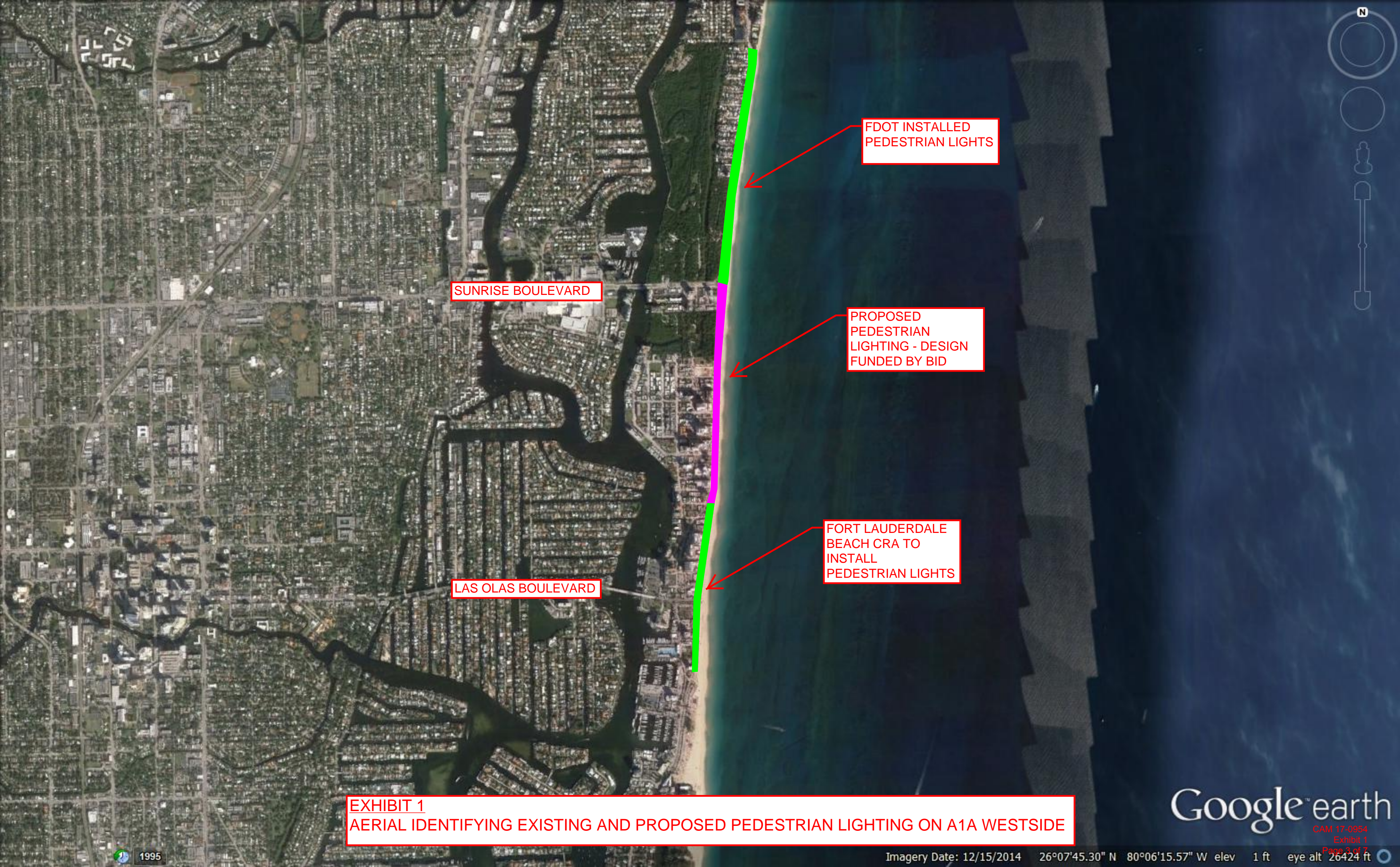
Florida Department of Transportation (FDOT) to pay for construction costs.

---

**(13) Amount Requested from BID:**

\$71,531

---



FDOT INSTALLED  
PEDESTRIAN LIGHTS

SUNRISE BOULEVARD

PROPOSED  
PEDESTRIAN  
LIGHTING - DESIGN  
FUNDED BY BID

FORT LAUDERDALE  
BEACH CRA TO  
INSTALL  
PEDESTRIAN LIGHTS

LAS OLAS BOULEVARD

**EXHIBIT 1**  
AERIAL IDENTIFYING EXISTING AND PROPOSED PEDESTRIAN LIGHTING ON A1A WESTSIDE

**Project Name:** SR A1A (Alhambra St. to Sunrise Blvd) Street Lighting  
**Project Number:** \_\_\_\_\_  
**Date Prepared:** 3/24/2016  
**Estimated By:** MM - Kimley-Horn and Associates, Inc.

	PM / Principal	Senior Prof / Sr. Spec	Prof / Senior Designr	Engineer	Pricipal Traffic / Lighting Engr			Support Staff
<b>Hourly Rate to use in Work Plan*</b>	\$210	\$180	\$145	\$113	\$205	\$0	\$0	\$50

Decorative Street Lighting Fee **\$58,351.00**

Total Fee including Subconsultants \$71,351.00

**Subconsultant Quotes:**

Subconsultant	Quoted Fee
Keith and Associates SUE	\$13,000.00
Survey Services	NA
Tierra S FL Geotechnical	NA

ATTACHMENT A

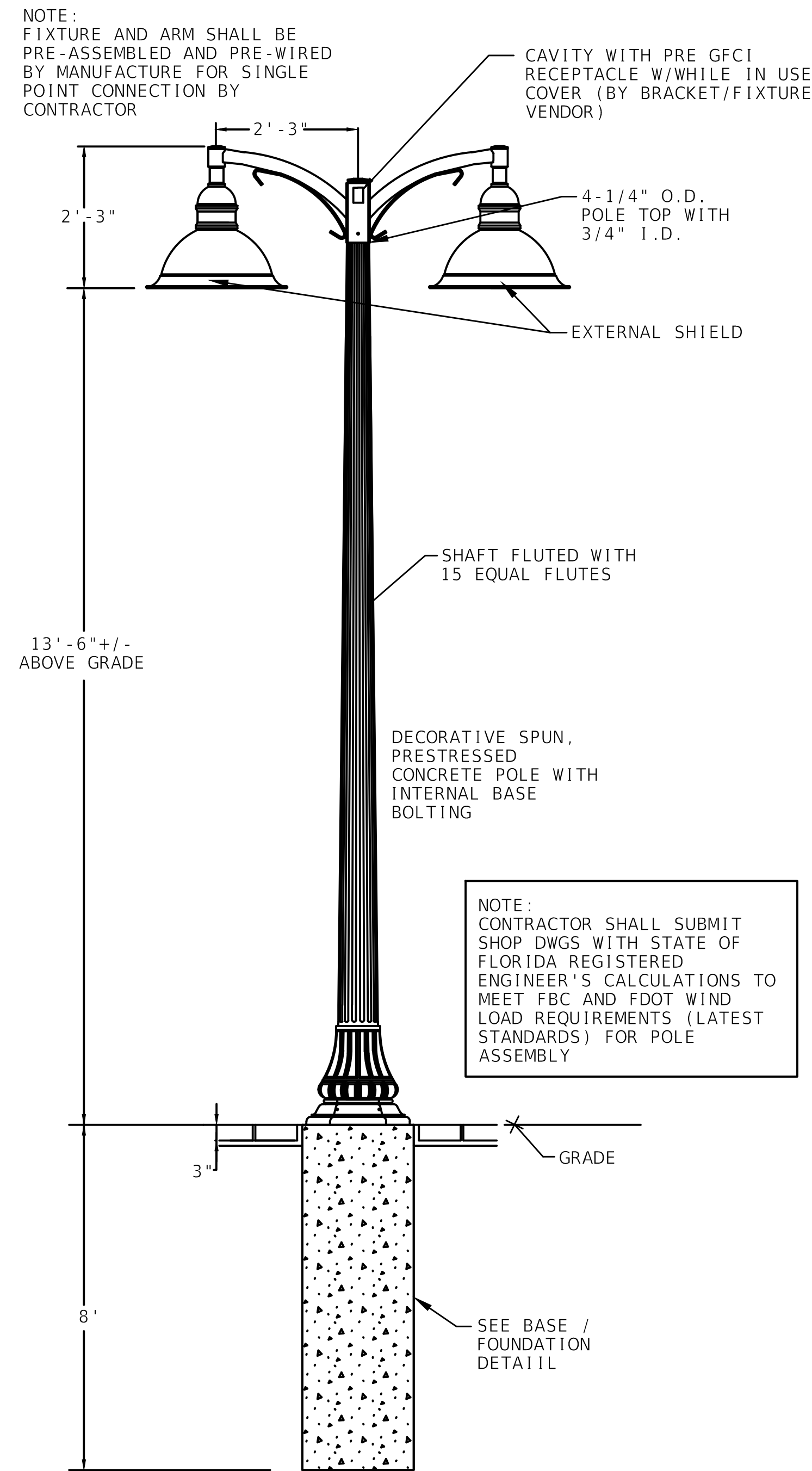
Project Name: SR A1A (Alhambra St. to Sunrise Blvd) Street Lighting  
 Project Number: 0  
 Date Prepared: 3/24/2016  
 Estimated Budget: MM - Kimley-Horn and Associates, Inc.

Estimated Project Duration:  
 Planning, Permitting, & Bidding: months  
 Construction: months  
 Total: months

Subtask ID Number	KHA Task Name Subtask Name/Description	Direct Labor (Person-Hours)					KHA Labor Total	Misc. Direct Expense (\$)
		PM / Principal	Senior Prof / Sr. Spec	Prof / Senior Designr	Engineer	Principal Traffic / Lighting Engr		
<b>Task 1</b>	<b>Concept Development and 30% Design for SR A1A</b>							
	Project setup - Establish project folder, contracts, etc							
	Establish project's schedule, team review; provide to City, revise & update	1		2				
	Request and receive info from City any development plans along corridor			2				
	Project kick-off meeting with City Staff-coordinate							
	<b>Review of Existing data/Collection of additional base data</b>							
	Review existing data provided by City. Draw utilities in CADD		1	2	4			
	Conduct field reviews-verify survey, utilities, etc.			4	4			
	Obtain FDOT record plans and ROW maps & reiew against survey							
	Initial FDOT coordination	1		2				
	Establish design criteria; prepare technical design criteria			1	2			
	Utility Coord-establish contacts & status matrix			2	2			
	-transmit & receive marked up plans, files, review & draw in CAD				4			
	Prepare and refine a base map of project, CADD drawing			2	6			
	Street Lighting Design- fixtures, photometric analysis, location			24	12	8		
	Street lighting FDOT style analysis report			20	20	8		
	FDOT design variance / critieria	1		4		8		
	Lighting meeting with FDOT, revise analysis & report based on comments	2		4		6		
	<b>Utility Coordination Process for all Agencies:</b>							
	Prepare submittals to UAOs			4	4			
	Prepare and invite for pre-design utility mtg of all UAOs			4	4			
	Prepare and invite for conflict resolution utility mtg. of all UAOs			4	4			
	<b>Design analysis and plans</b>							
	Cover Sheet				4			
	Legend & General Notes				4			
	Lighting Photometric layout	1		4		4		
	Lighting Plans			8	16	2		
	Review & revise Plans based on City review comments	1		4	4			
	<b>Permitting Coordination</b>							
	FDOT	1	4	4				
	FWC	1	4					
	<b>Opinions of Probable Construction Cost Estimates (OPC)</b>							
	Prepare OPC			2	2			
	<b>Subtotal (Hours)</b>	9	9	103	96	36		\$0
	<b>Task Total (Dollars)</b>	\$1,890	\$1,620	\$14,935	\$10,848	\$7,380	\$36,673	\$0
<b>Task 2</b>	<b>Construction Documents (90% / Permit Plans, Final Phases)</b>							
	Revise Plans based on City comments			8				
	Review/respond to FDOT comments	1	2	8				
	Utility Coordination Meeting & follow up			4	4			
	Lighting Plans	2		16	40	4		
	SUE Tabulation Sheet			2	4			
	Specifications / Notes	1	4	2				
	<b>Permit Packages&amp; RAI's</b>							
	Address final comments from permitting agencies below:							
	FDOT	2	1	8				
	City of Ft. Lauderdale Engineering	2	1	4				
	FWC/USFWS	2		16	16			
	<b>Opinions of Probable Construction Cost Estimates</b>							
	update OPC				2			

Subtask ID Number	KHA Task Name Subtask Name/Description	Direct Labor (Person-Hours)						Misc. Direct Expense (\$)
		PM / Principal	Senior Prof / Sr. Spec	Prof / Senior Designr	Engineer	Principa Traffic / Lighting Engr	KHA Labor Total	
	<b>Subtotal (Hours)</b>	10	8	68	66	4		\$0
	<b>Task Total (Dollars)</b>	\$2,100	\$1,440	\$9,860	\$7,458	\$820	<b>\$21,678</b>	<b>\$0</b>
	<b>Bidding Phase Services</b>							
	Project Manual preparation:							
	Submit final bid plans in pdf to City; provide sets of 11 x 17/CD/DVD							
	Boilerplate-review & fill in proj info, specs							
	Bid items-Coordinate/provide City with list of bid items							
	Review by City Staff-submit bid document to City for review							
	RFI assistance-Review/respond up to 5 RFIs							
	Pre-bid Meeting-attend 1 mtg with City staff to answer questions							
	Review bids and tabulate them							
	Review for inconsistencies, provide City w/recommendations							
	Attend 2 coord. Meetings with City and 1 with selected contractor							
		0	0	0	0	0		\$0
	<b>Task Total (Dollars)</b>						<b>\$0</b>	<b>\$0</b>

Plotted By: Muholland, Kara Sheet Set: A1A Layout: C607 LIGHTING DETAILS September 17, 2015 06:09:16pm K:\BCD\_Roadway\043184032\_FTL A1A\KHA\_FILES\CADD\PlanSheets\A1A\11681-C600-LIGHT.dwg  
 This document, together with the concepts and designs presented herein, is intended only for the specific purpose and client for which it was prepared. Reuse of and improper reliance on this document without written authorization and adaptation by Kimley-Horn and Associates, Inc. shall be without liability to Kimley-Horn and Associates, Inc.

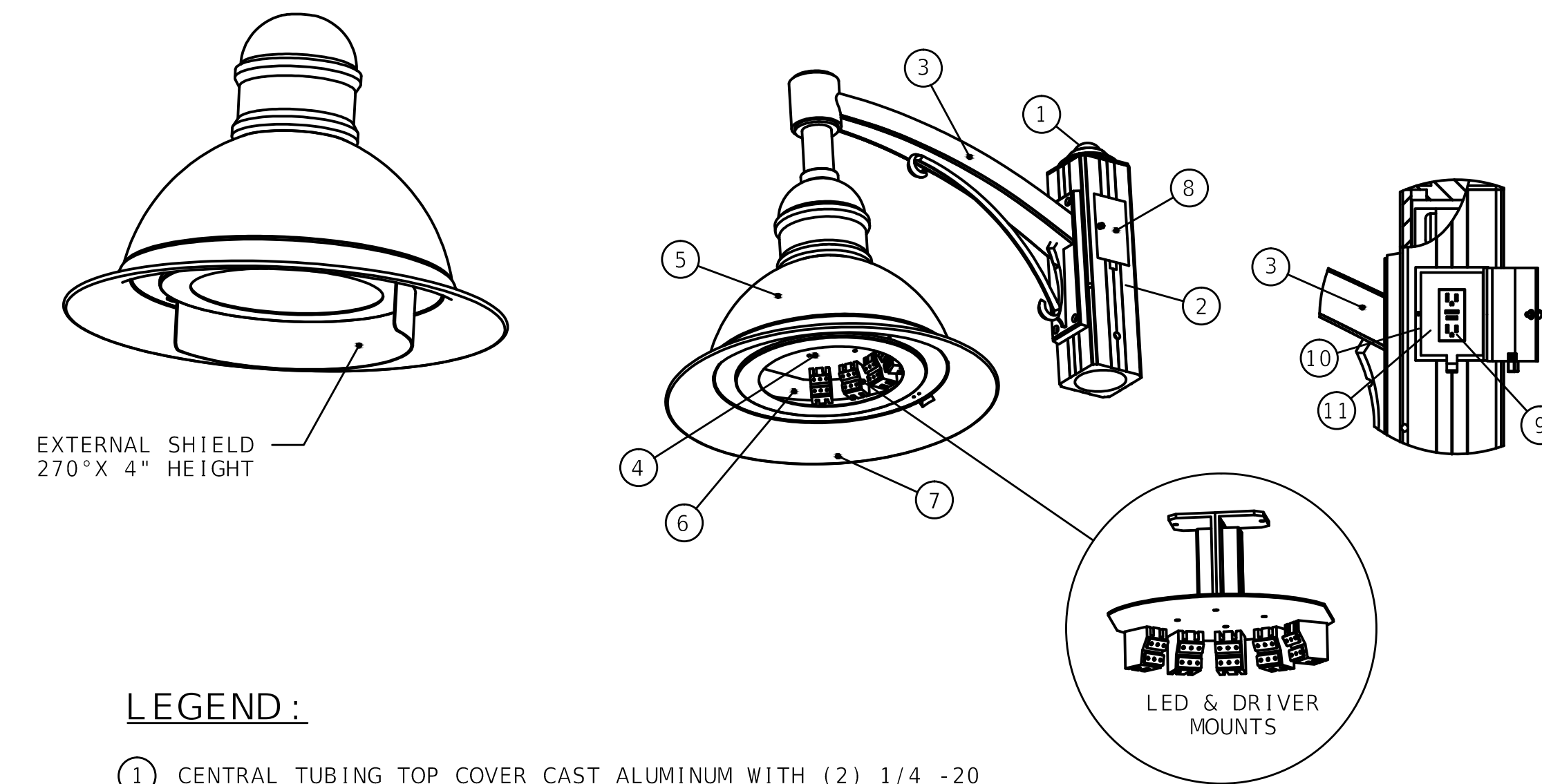
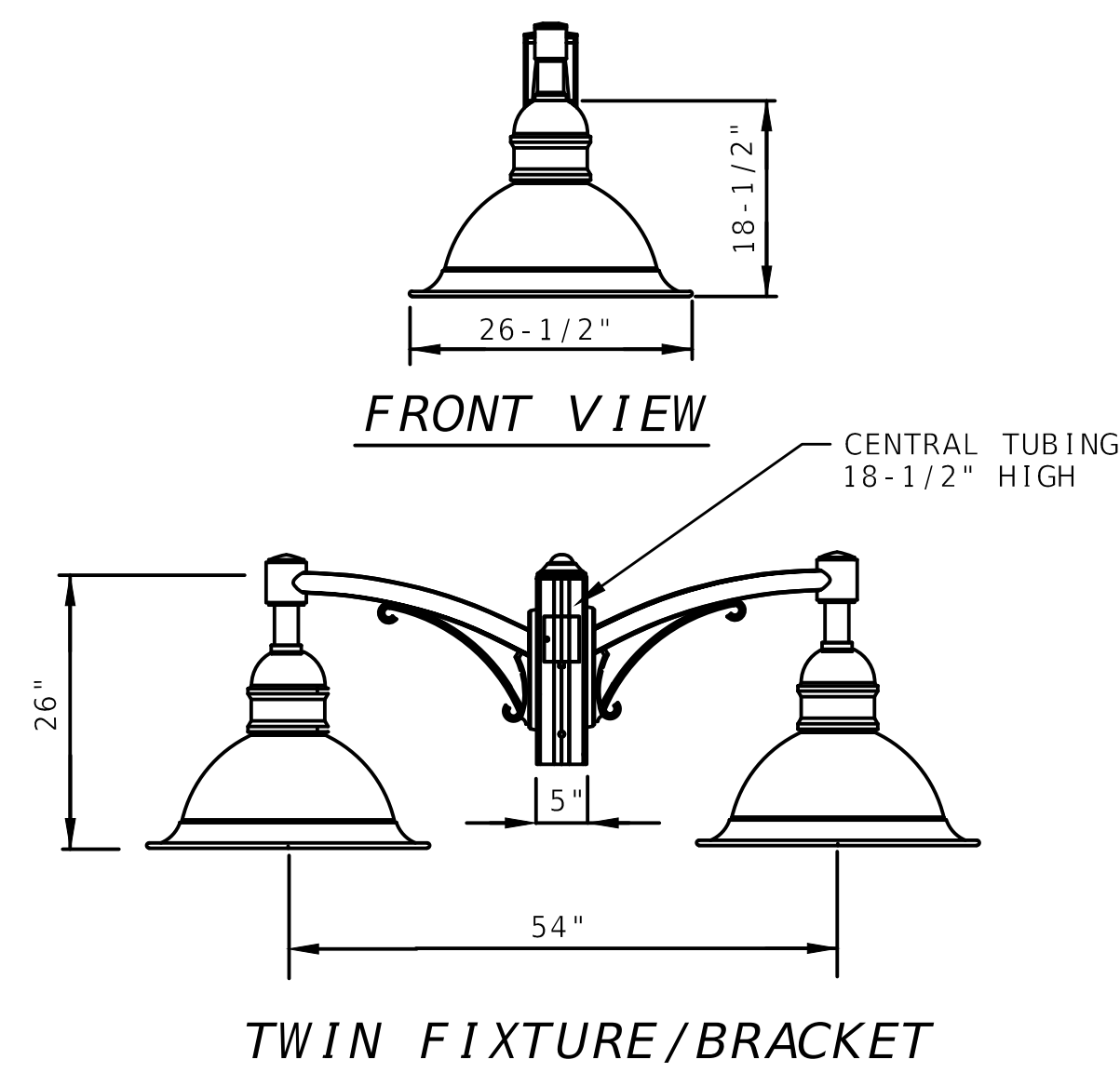


**LIGHT POLE DETAIL**  
N.T.S.

SPUNCAST PRESTRESSED WASHINGTON STYLE INTERNAL BASE PLATE CONCRETE POLE BY AMERON POLE PRODUCTS

POLES SHALL BE FORMED AS SINGLE PIECE POLE CONSISTING OF A TAPERED 4-1/4" TO 7" FIFTEEN FLUTE SHAFT AND A 21" DIAMETER BY 24" HIGH DECORATIVE BASE TO AN OVERALL LENGTH OF 14'-6". THE POLE SHALL BE MOUNTED TO A CONCRETE FOUNDATION WITH (4) STAINLESS STEEL BOLTS ON A 9" BOLT PATTERN TO A STAINLESS STEEL INTERNAL POLE ADJUSTER PLATE. THE POLE BASE ACCESSIBLE BY A CONCRETE HAND HOLE COVER. THE POLE SHALL BE FORMED WITH BLACK EXPOSED AGGREGATES WITH AMERSHIELD ANTI-GRAFFITI COATING APPLIED.

POLE DESIGNATION: 26ST14(1231)SPECIAL (WITH TENON)  
POLE WEIGHT: 480 LBS



**LEGEND :**

- 1 CENTRAL TUBING TOP COVER CAST ALUMINUM WITH (2) 1/4 -20 SS SET SCREWS
- 2 CAST ALUMINUM SQUARE CENTRAL TUBING TO FIT POLE TOP TENON 4" DIA. X 8". (4) 3/8-16 SS SET SCREWS & (1) 1/2"-13 X 5" SS MACHINE SCREW THREADED TO CENTRAL TUBING FOR TORSION ROTATION- CONTRACTOR SHALL DRILL TENON PER TEMPLATE PROVIDED BY VERTEX ILLUMINATION OF AMERICA
- 3 CAST ALUMINUM ARM WITH DECORATIVE SCROLL BOLTED TO CAST CENTRAL TUBING & 1-1/4" SS NIPPLE THREADED INTO ARM AND SECURED WITH LOCKNUT INSIDE FIXTURE HOUSING
- 4 LED DRIVERS MOUNT INSIDE ELECTRICAL COMPARTMENT INDEPENDENT FROM LED LIGHT ENGINE CAN BE REPLACED OR UPGRADED; VOLTAGE 120-277 V
- 5 FORMED ALUMINUM HOUSING-HOUSES TWO TIER LED ARRAYS, VERTICAL AND HORIZONTAL AIMING ANGLES, ASSYMMETRICAL DISTRIBUTION WITH NO LIGHT DIRECTED TOWARDS THE HOUSE SIDE - LED ARRAY CREE XP-E-AMBER COLOR
- 6 TEMPERED FLAT FROSTED GLASS LENS
- 7 CAST ALUMINUM LOWER FRAME
- 8 CAST ALUMINUM IN-USE DOOR FOR GFCI WITH FULL NYLON HINGE AND HEX HEAD NYLON SCREW AND RUBBER GASKET
- 9 DUPLEX GFCI RECEPTACLE-125VA-15A
- 10 JUNCTION BOX FOR GFCI
- 11 PROVIDE AND INSTALL A 3A IN-LINE FUSE AND FUSE HOLDER WITHIN THE JUNCTION BOX FOR THE GFCI RECEPTACLE.

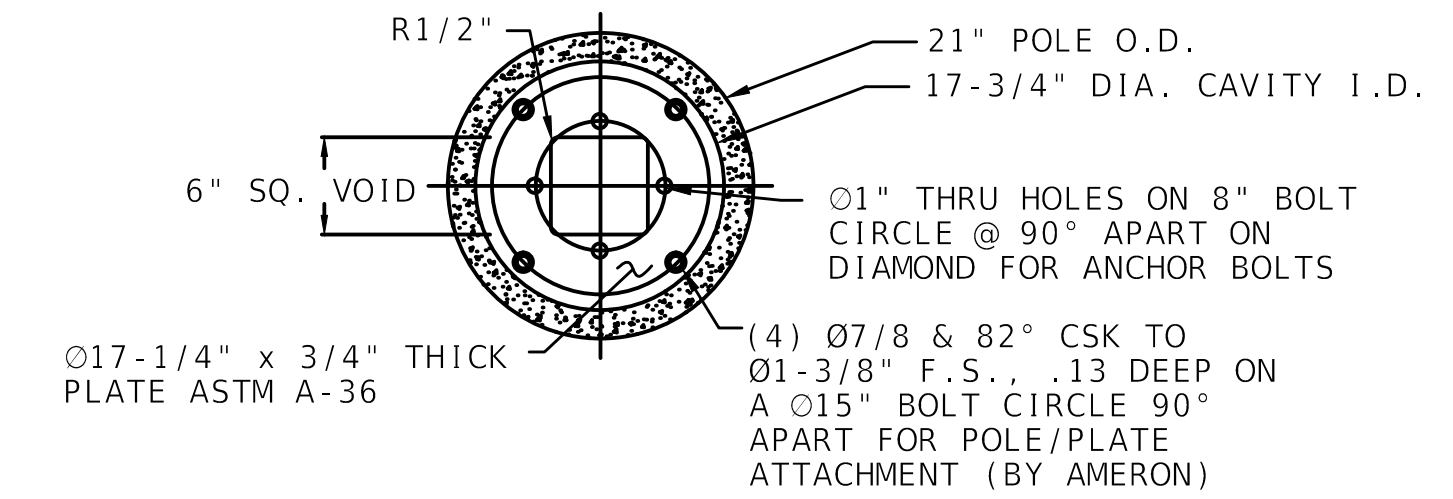
**FIXTURE NOTES :**

FIXTURES/BRACKETS BY VERTEX ILLUMINATIONS OF AMERICA (VIA) UTILIZING GLOSS BLACK FINISH, DARK SKY/TURTLE FRIENDLY FULL CUTOFF OPTICS

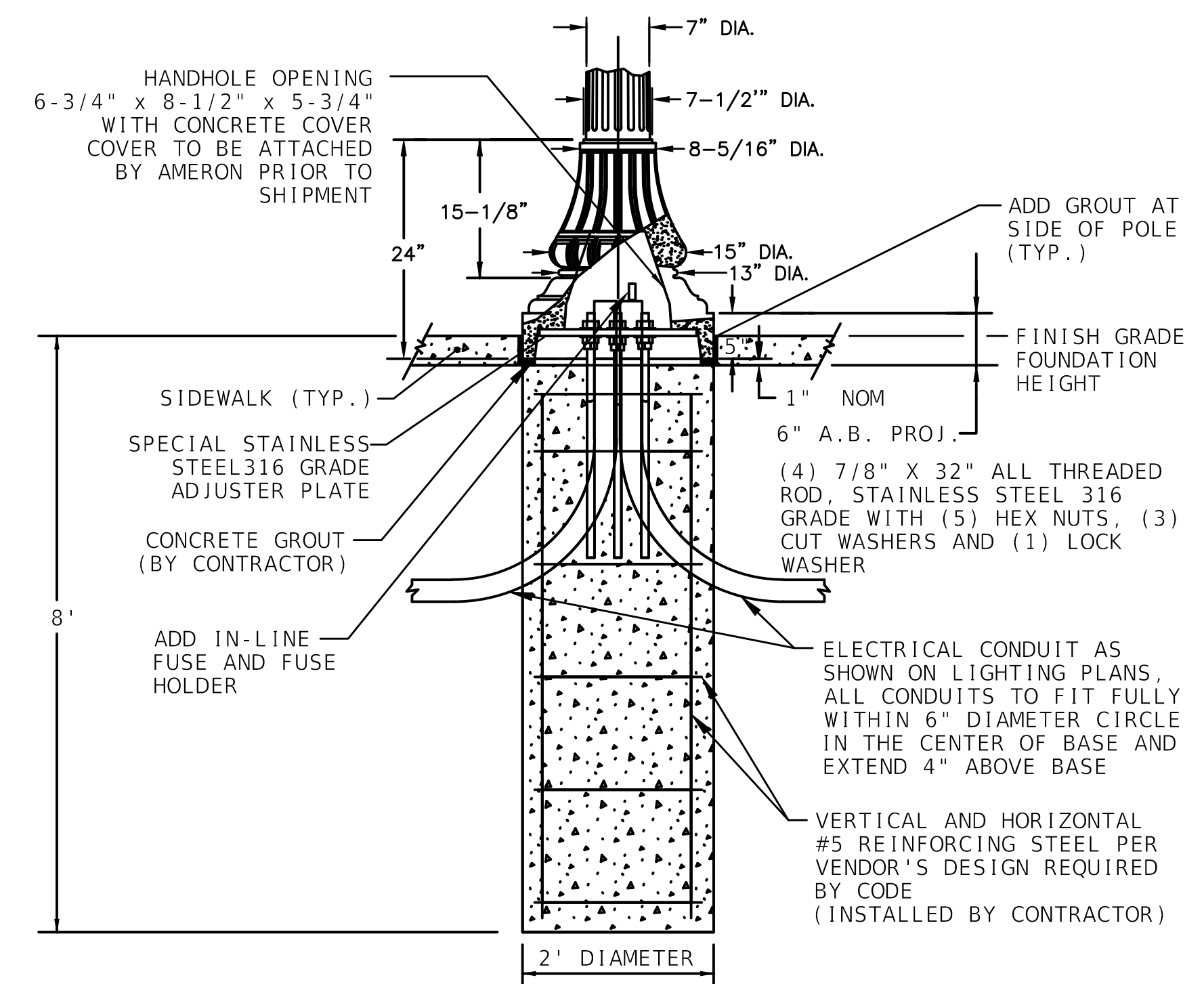
THE ENTIRE BRACKET/FIXTURE ASSEMBLY IS PRE-WIRED FOR EASY ONE POINT CONNECTION AT BOTTOM OF CENTRAL TUBING

WEST SIDE  
TWIN FIXTURE AND TWIN BRACKET ASSEMBLY:  
FIXTURE: CITTA-FLL-72W LED AMBER-TRLE-240V-GLOSS-BLACK  
BRACKET: FCL-FLL-BR2-27-BKTX  
EXTERNAL 270 DEGREE SHIELD: CAT. #CITTA 270S-4-GLOSS-BLACK  
EPA ASSEMBLY: 5.25 SQ FT; WEIGHT ASSEMBLY: 164 LBS

EAST SIDE  
RELAMP EXISTING FIXTURES  
FIXTURE: CITTA-FLL-100W LED AMBER-TRLE-240V-GLOSS-BLACK



**BOTTOM VIEW WITH SPECIAL ADJUSTER PLATE**



**BASE / FOUNDATION DETAIL**  
N.T.S.

SEAL:  
Marwan Mufleh, P.E.  
45329

KHA PROJ #: 043184032

DATE: 09/18/2015  
DRAWN BY: JJ  
DESIGNED BY: JJ  
CHECKED BY: MHM  
FIELD BOOK:

**CITY OF FORT LAUDERDALE**  
**PUBLIC WORKS DEPARTMENT**  
**ENGINEERING & ARCHITECTURE**  
100 North Andrews Avenue, Fort Lauderdale, Florida 33301

NO.	DATE	BY	CHK'D	DESCRIPTION

**PROJECT # P11681**  
**A1A STREETScape**  
**FORT LAUDERDALE, FL**  
**LIGHTING DETAILS**

SHEET NO.  
**C607** X OF XX  
DRAWING FILE

**30% SCHEMATIC DESIGN**