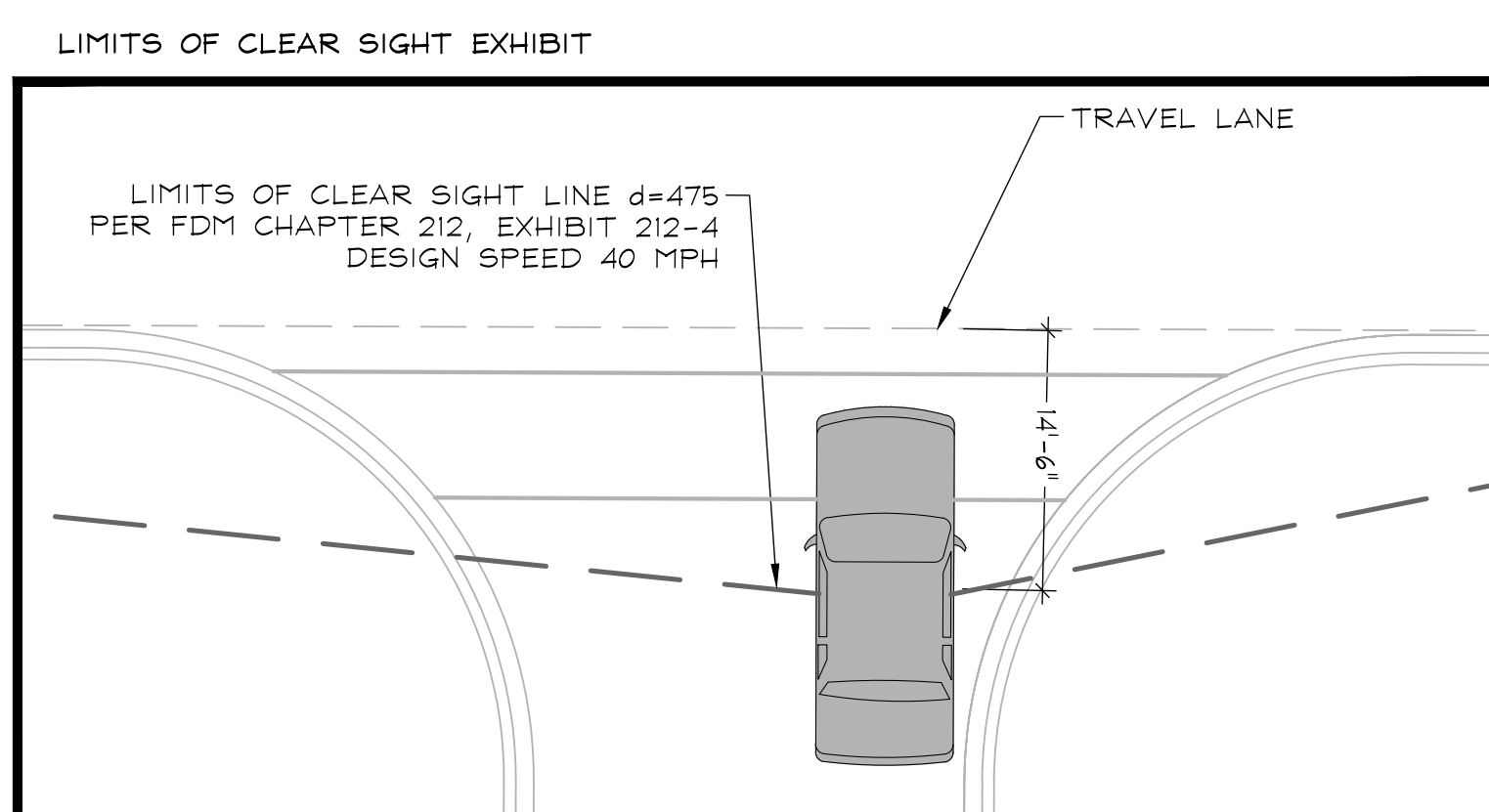


SEE SHEET L3.05 FOR CONTINUATION

SEE SHEET L3.07 FOR CONTINUATION



NOTE:
ALL LIMITS OF CLEAR SIGHT ORIGIN AT 14.5' BEHIND THE TRAVEL LANE PER FDOT DESIGN MANUAL SEC. 212.11

NOTE: EXISTING SHRUB AND GROUND COVER PLANTINGS LOCATED WITHIN CLEAR SIGHT LIMIT INDICATED TO REMAIN SHALL BE TRIMMED 12" FROM BACK OF CURB AND MAINTAINED HEIGHT NOT TO EXCEED 18". ALL TREES AND PALMS TO BE MAINTAINED WITH 8' OF CLEAR TRUNK.

NOTE: THE FDOT REQUIRES A 14.5' VERTICAL CLEARANCE ABOVE ROADWAYS AND ALSO REQUIRES AN 8.5' VERTICAL CLEARANCE ABOVE WALKWAYS.

NOTE: SECTION 7-1.4: COMPLIANCE WITH FEDERAL ENDANGERED SPECIES ACT AND OTHER WILDLIFE REGULATIONS OF THE FDOT STANDARD SPECIFICATIONS FOR ROAD AND BRIDGE CONSTRUCTION MANUAL SHOULD BE ADHERED TO FOR WILDLIFE INVOLVEMENT DURING CONSTRUCTION.

PLANT SCHEDULE

TREES	COMMON NAME
LA	Muskogee Crape Myrtle 8' CT, Standard
LD	Natchez Crape Myrtle 8' CT, Standard
QV	High Rise Live Oak 8' CT
VA	Montgomery Palm Single Trunk, 10' GW MIN.

VERTICAL DATUM
ELEVATIONS SHOWN HEREON ARE BASED ON THE NORTH AMERICAN VERTICAL DATUM OF 1988.
NAVD '88 ELEV. + 1.565' = NGVD '29 ELEVATION

THE PRESENCE OF GROUNDWATER SHOULD BE ANTICIPATED. CONTRACTOR'S BID SHALL INCLUDE CONSIDERATION FOR ADDRESSING THIS ISSUE AND OBTAINING ALL NECESSARY PERMITS.

CALL 2 WORKING DAYS BEFORE YOU DIG

IT'S THE LAW!
DIAL 811

Know what's below.
Call before you dig.

SUNSHINE STATE ONE CALL OF FLORIDA, INC.

Kimley»Horn
1920 WEKIVA WAY #200
WEST PALM BEACH, FL 33411
PHONE: 561-845-0665 FAX: 561-330-3245
WWW.KIMLEY-HORN.COM
REGISTRY 696
© 2022 KIMLEY-HORN AND ASSOCIATES, INC.

SEAL:
JONATHAN D. HAIGH, PLA
STATE LICENSE NUMBER
LA #6666795
06/30/2022

DATE: 07/01/2021
DESIGNED BY: JAS
CHECKED BY: SHAWN
FIELD BOOK:

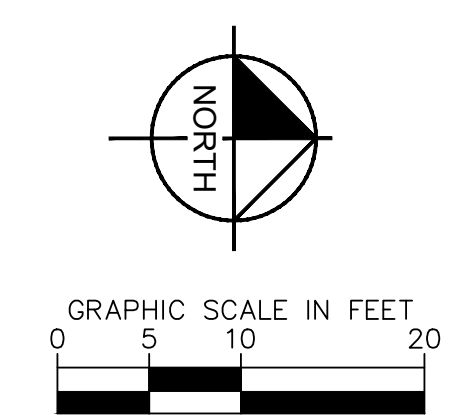
CITY OF FORT LAUDERDALE
TRANSPORTATION & MOBILITY

290 NE 3RD AVE., FORT LAUDERDALE, FL 33301

NO.	DATE	BY	DESCRIPTION

PROJECT # 12557
NE 4TH AVENUE STREETSCAPE PROJECT
E SUNRISE BLVD TO NE 13TH ST
FORT LAUDERDALE, FL
LANDSCAPE PLAN

SHEET NO.
L3.06



Kimley»Horn
 1920 WEKIVA WAY #200
 WEST PALM BEACH, FL 33411
 PHONE: 561-845-0665 FAX: 561-390-3245
 WWW.KIMLEY-HORN.COM
 REGISTRY 696
 © 2022 KIMLEY-HORN AND ASSOCIATES, INC.

SEAL:
 JONATHAN D. HAIGH, PLA
 STATE LICENSE NUMBER
 LA #6666795
 06/30/2022

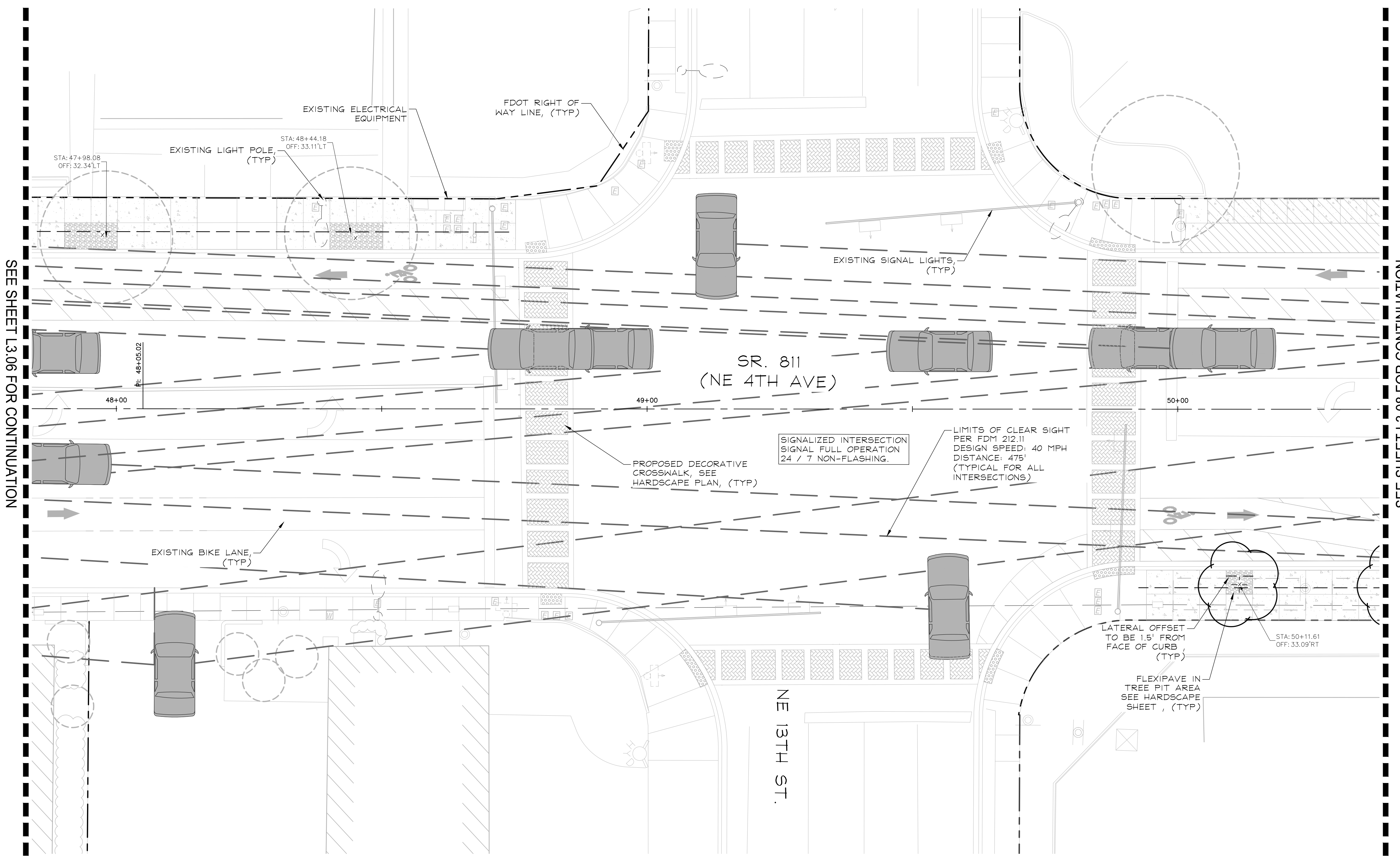
DATE: 07/01/2021
 DRAWN BY: AS
 DESIGNED BY: AS
 CHECKED BY: SHAWN
 FIELD BOOK:

CITY OF FORT LAUDERDALE
 TRANSPORTATION & MOBILITY

 290 NE 3RD AVE, FORT LAUDERDALE, FL 33301

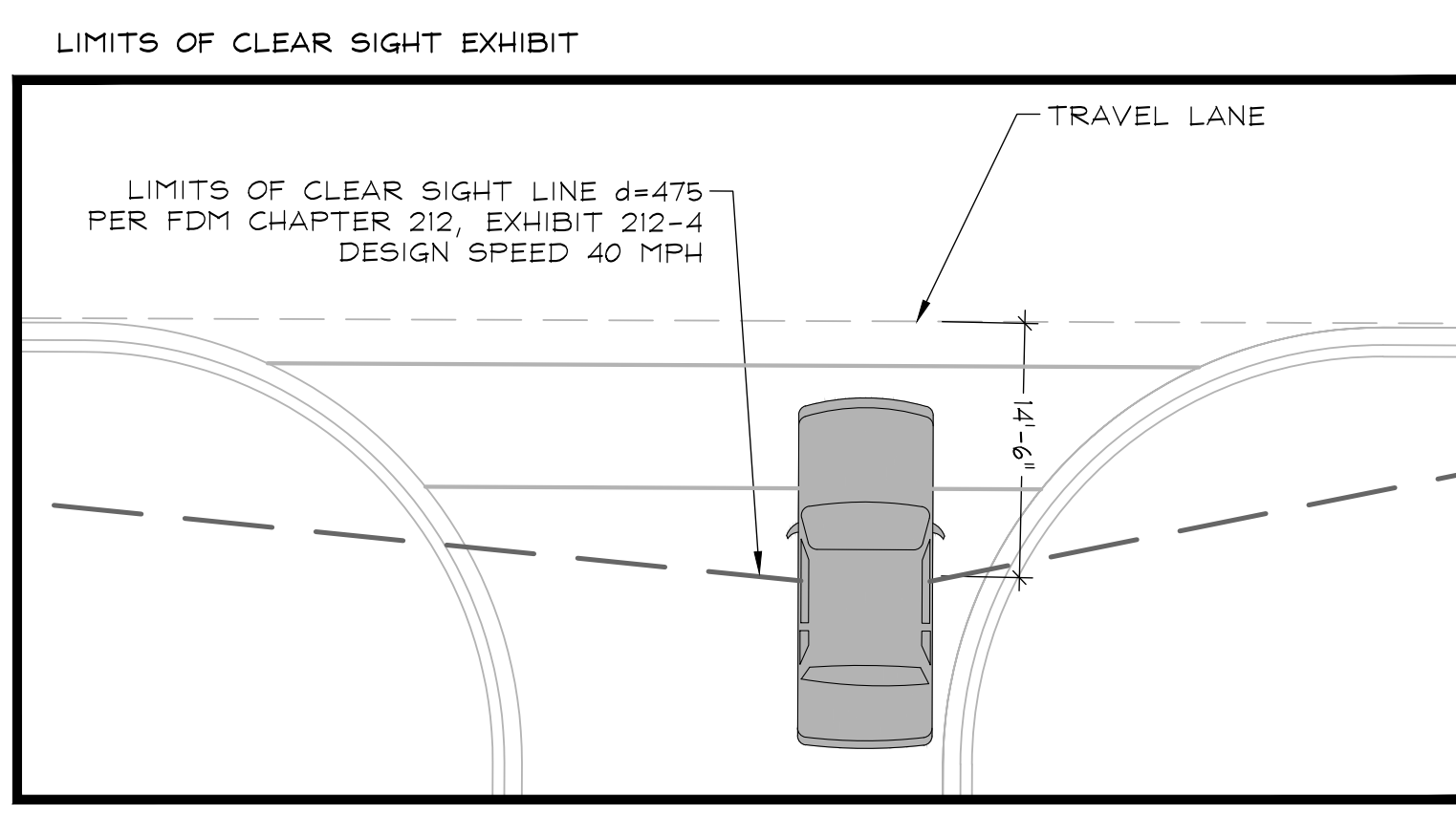
NO.	DATE	BY	DESCRIPTION

PROJECT # 12557
 NE 4TH AVENUE STREETSCAPE PROJECT
 E SUNRISE BLVD TO NE 13TH ST
 FORT LAUDERDALE, FL
 LANDSCAPE PLAN
 SHEET NO.
L3.07



SEE SHEET L3.06 FOR CONTINUATION

SEE SHEET L3.08 FOR CONTINUATION



NOTE:
 ALL LIMITS OF CLEAR SIGHT ORIGIN AT 14.5' BEHIND THE TRAVEL LANE PER FDOT DESIGN MANUAL SEC. 212.11

NOTE: EXISTING SHRUB AND GROUND COVER PLANTINGS LOCATED WITHIN CLEAR SIGHT LIMIT INDICATED TO REMAIN SHALL BE TRIMMED 12" FROM BACK OF CURB AND MAINTAINED HEIGHT NOT TO EXCEED 18". ALL TREES AND PALMS TO BE MAINTAINED WITH 8' OF CLEAR TRUNK.

NOTE: THE FDOT REQUIRES A 14.5' VERTICAL CLEARANCE ABOVE ROADWAYS AND ALSO REQUIRES AN 8.5' VERTICAL CLEARANCE ABOVE WALKWAYS.

NOTE: SECTION 7-1.4: COMPLIANCE WITH FEDERAL ENDANGERED SPECIES ACT AND OTHER WILDLIFE REGULATIONS OF THE FDOT STANDARD SPECIFICATIONS FOR ROAD AND BRIDGE CONSTRUCTION MANUAL SHOULD BE ADHERED TO FOR WILDLIFE INVOLVEMENT DURING CONSTRUCTION.

PLANT SCHEDULE

TREES	COMMON NAME
LA	Muskogee Crape Myrtle 8' CT, Standard
LD	Natchez Crape Myrtle 8' CT, Standard
QV	High Rise Live Oak 8' CT
VA	Montgomery Palm Single Trunk, 10' GW MIN.

VERTICAL DATUM
 ELEVATIONS SHOWN HEREON ARE BASED ON THE NORTH AMERICAN VERTICAL DATUM OF 1988.
 NAVD '88 ELEV. + 1.565' = NGVD '29 ELEVATION


THE PRESENCE OF GROUNDWATER SHOULD BE ANTICIPATED. CONTRACTOR'S BID SHALL INCLUDE CONSIDERATION FOR ADDRESSING THIS ISSUE AND OBTAINING ALL NECESSARY PERMITS.

CALL 2 WORKING DAYS BEFORE YOU DIG
811
 IT'S THE LAW!
 DIAL 811
 Know what's below.
 Call before you dig.
 SUNSHINE STATE ONE CALL OF FLORIDA, INC.

Kimley»Horn
 1920 WEKIVA WAY #200
 WEST PALM BEACH, FL 33411
 PHONE: 561-845-0665 FAX:
 561-390-2245
 WWW.KIMLEY-HORN.COM
 REGISTRY 696
 © 2022 KIMLEY-HORN AND
 ASSOCIATES, INC.

SEAL:
 JONATHAN D. HAIGH, PLA
 STATE LICENSE NUMBER
 LA #6666795
 06/30/2022

DATE: 07/01/2021
 DRAWN BY: AS SHOWN
 DESIGNED BY: AS SHOWN
 CHECKED BY:
 FIELD BOOK:

CITY OF FORT LAUDERDALE
 TRANSPORTATION
 &
 MOBILITY

 290 NE 3RD AVE., FORT LAUDERDALE, FL 33301

REVISIONS		DESCRIPTION
NO.	DATE	BY (REV)

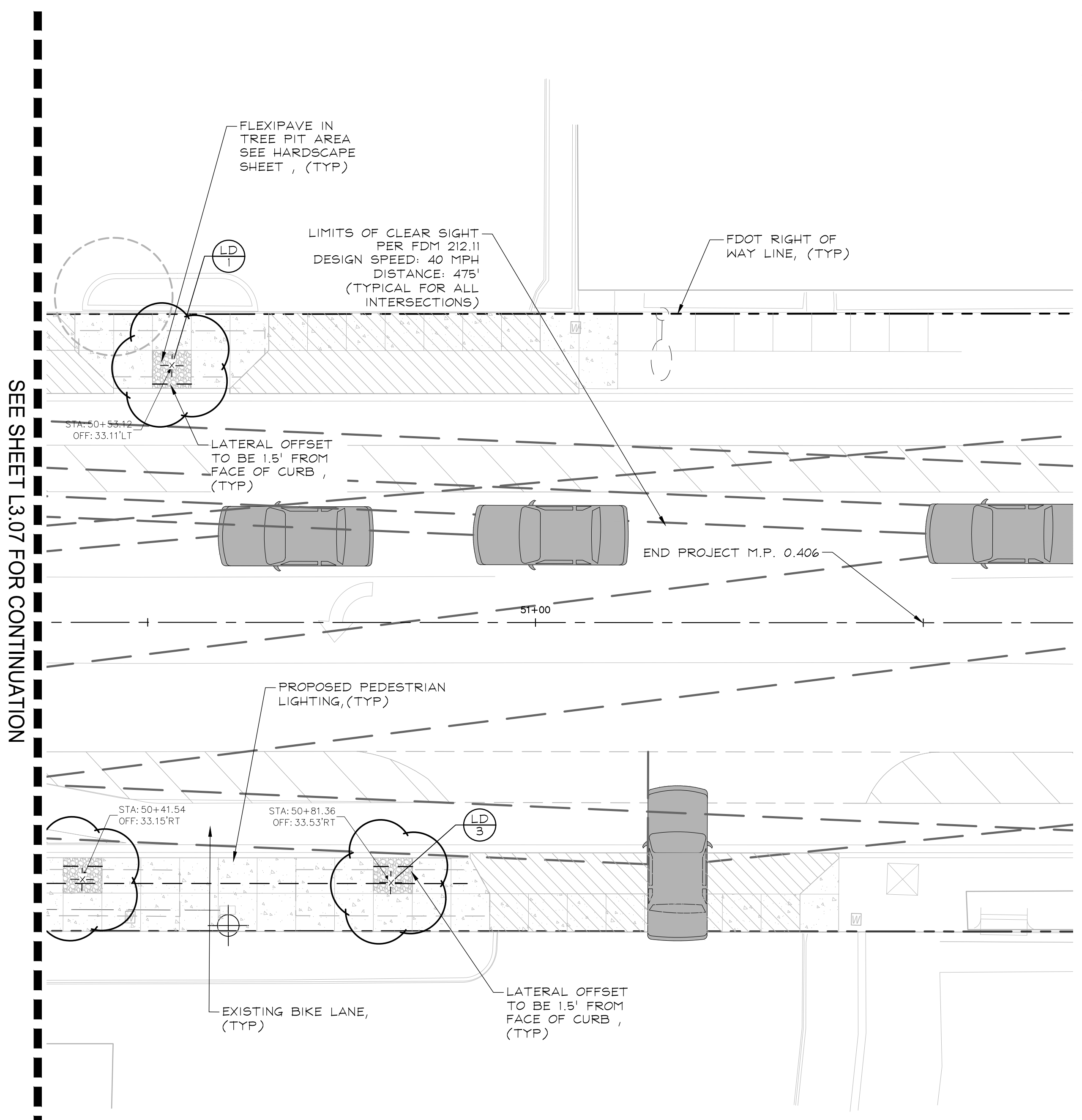
PROJECT # 12557
 NE 4TH AVENUE STREETSCAPE PROJECT
 E SUNRISE BLVD TO NE 13TH ST
 FORT LAUDERDALE, FL
 LANDSCAPE PLAN
 SHEET NO.
L3.08

PLANT SCHEDULE

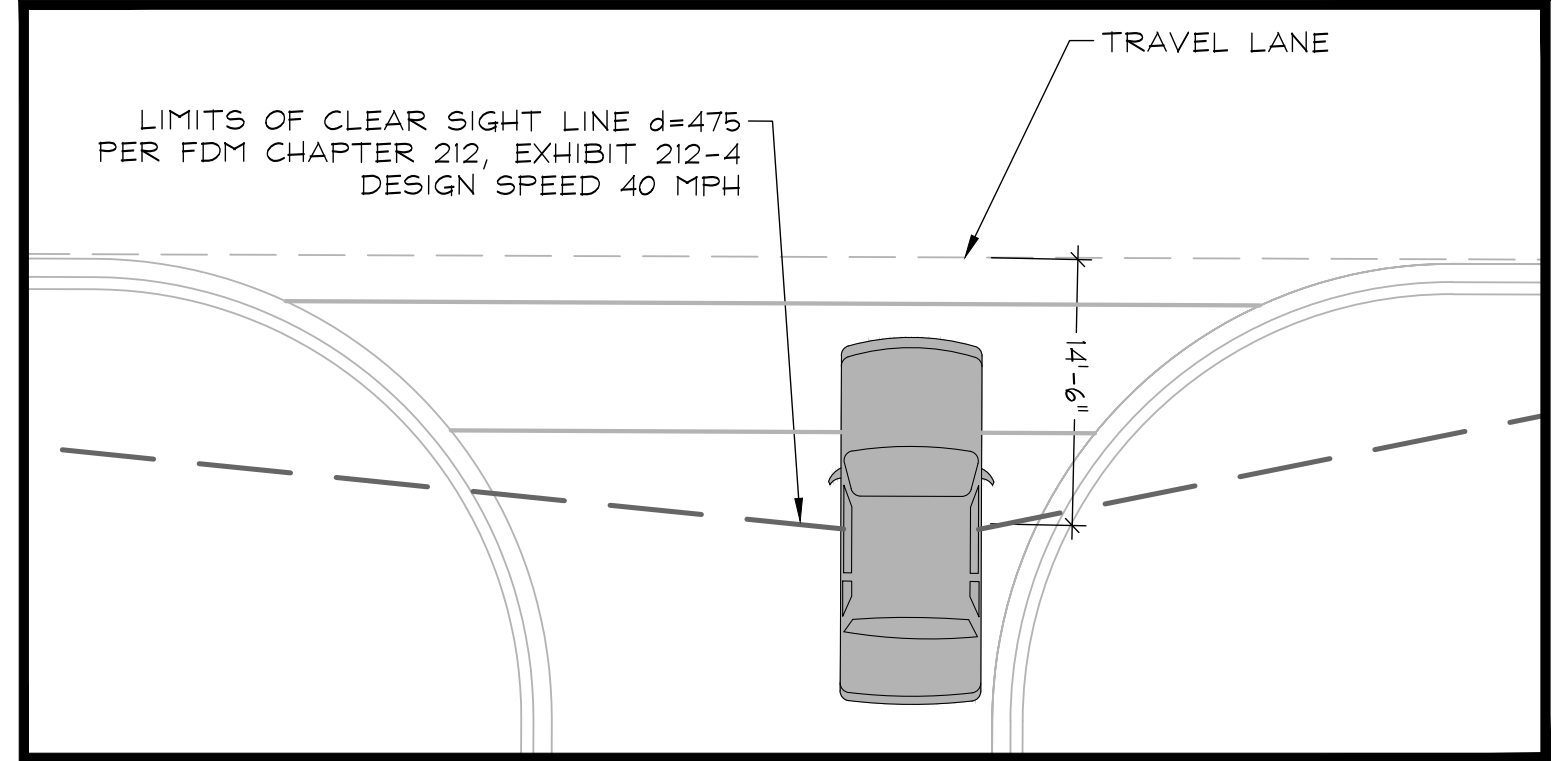
TREES	BOTANICAL NAME	COMMON NAME	CONT.	CAL.	SIZE	QTY
LA	Lagerstroemia 'Muskogee' 8' CT, Standard	Muskogee Grape Myrtle	Cont.	4" Cal.	18' HT x 7' SPR	2
LD	Lagerstroemia 'Natchez' 8' CT, Standard	Natchez Grape Myrtle	Cont.	4" Cal.	18' HT x 7' SPR	5
QV	Quercus virginiana 'High Rise' 8' CT	High Rise Live Oak	B # B / CONT.	8" Cal.	22' HT x 10' SPR	6
VA	Veitchia arecina Single Trunk, 10' GW MIN.	Montgomery Palm	F.G.		18' GW	3

PLANTING NOTES:

- CONTRACTOR SHALL REFER TO THE FDOT NOTES ON SHEET C0.01 AND ALL CONTRACT DOCUMENTS FOR FURTHER AND COMPLETE INSTRUCTIONS.
- PLANT LIST QUANTITIES ARE PROVIDED FOR CONVENIENCE. IN THE EVENT OF QUANTITY DISCREPANCIES THE DRAWING SHALL TAKE PRECEDENCE. ANY DISCREPANCIES SHALL BE BROUGHT TO THE ATTENTION OF THE LANDSCAPE ARCHITECT PRIOR TO BIDDING.
- PLANT SIZES LISTED ARE THE MINIMUM SIZE THAT WILL BE ACCEPTED FOR THAT PLANT.
- ANY SUBSTITUTION IN SIZE AND/OR PLANT MATERIAL MUST BE APPROVED BY THE LANDSCAPE ARCHITECT IN WRITING. ALL PLANTS WILL BE SUBJECT TO APPROVAL BY LANDSCAPE ARCHITECT AND/OR OWNERS REPRESENTATIVE BEFORE PLANTING CAN BEGIN.
- CONTRACTOR SHALL FIELD ADJUST LOCATION OF PLANT MATERIAL AS NECESSARY TO AVOID DAMAGE TO EXISTING UNDERGROUND UTILITIES AND/OR INTERFERE WITH EXISTING ABOVE GROUND ELEMENTS. ALL CHANGES REQUIRED SHALL BE COMPLETED AT THE CONTRACTOR'S EXPENSE AND SHALL BE COORDINATED WITH THE OWNER'S REPRESENTATIVE AND THE LANDSCAPE ARCHITECT.
- THE CONTRACTOR SHALL BEAR ALL COSTS OF TESTING OF SOILS, AMENDMENTS, ETC. ASSOCIATED WITH THE WORK AND INCLUDED IN THE SPECIFICATIONS.
- CONTRACTOR SHALL FAMILIARIZE HIM/HERSELF WITH THE LIMITS OF WORK AND EXISTING CONDITIONS AND VERIFY ALL INFORMATION. IF DISCREPANCIES EXIST, CONTRACTOR SHALL NOTIFY OWNER'S REPRESENTATIVE IN WRITING WITHIN SEVEN CALENDAR DAYS OF NOTICE TO PROCEED.
- REFER TO DETAIL 1/L2.08 FOR TREE INSTALLATION, AS WELL AS UNDERGROUND BRACING PER FDOT INDEX 580-001.



LIMITS OF CLEAR SIGHT EXHIBIT



NOTE:
 ALL LIMITS OF CLEAR SIGHT ORIGIN AT 14.5' BEHIND THE TRAVEL LANE PER FDOT DESIGN MANUAL SEC: 212.11


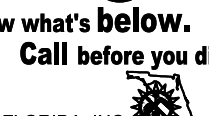
NOTE: EXISTING SHRUB AND GROUND COVER PLANTINGS LOCATED WITHIN CLEAR SIGHT LIMIT INDICATED TO REMAIN SHALL BE TRIMMED 12" FROM BACK OF CURB AND MAINTAINED HEIGHT NOT TO EXCEED 18". ALL TREES AND PALMS TO BE MAINTAINED WITH 8' OF CLEAR TRUNK.

NOTE: THE FDOT REQUIRES A 14.5' VERTICAL CLEARANCE ABOVE ROADWAYS AND ALSO REQUIRES AN 8.5' VERTICAL CLEARANCE ABOVE WALKWAYS.

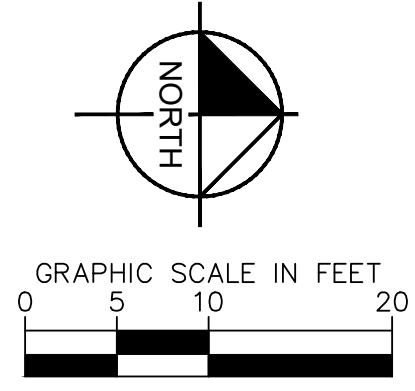
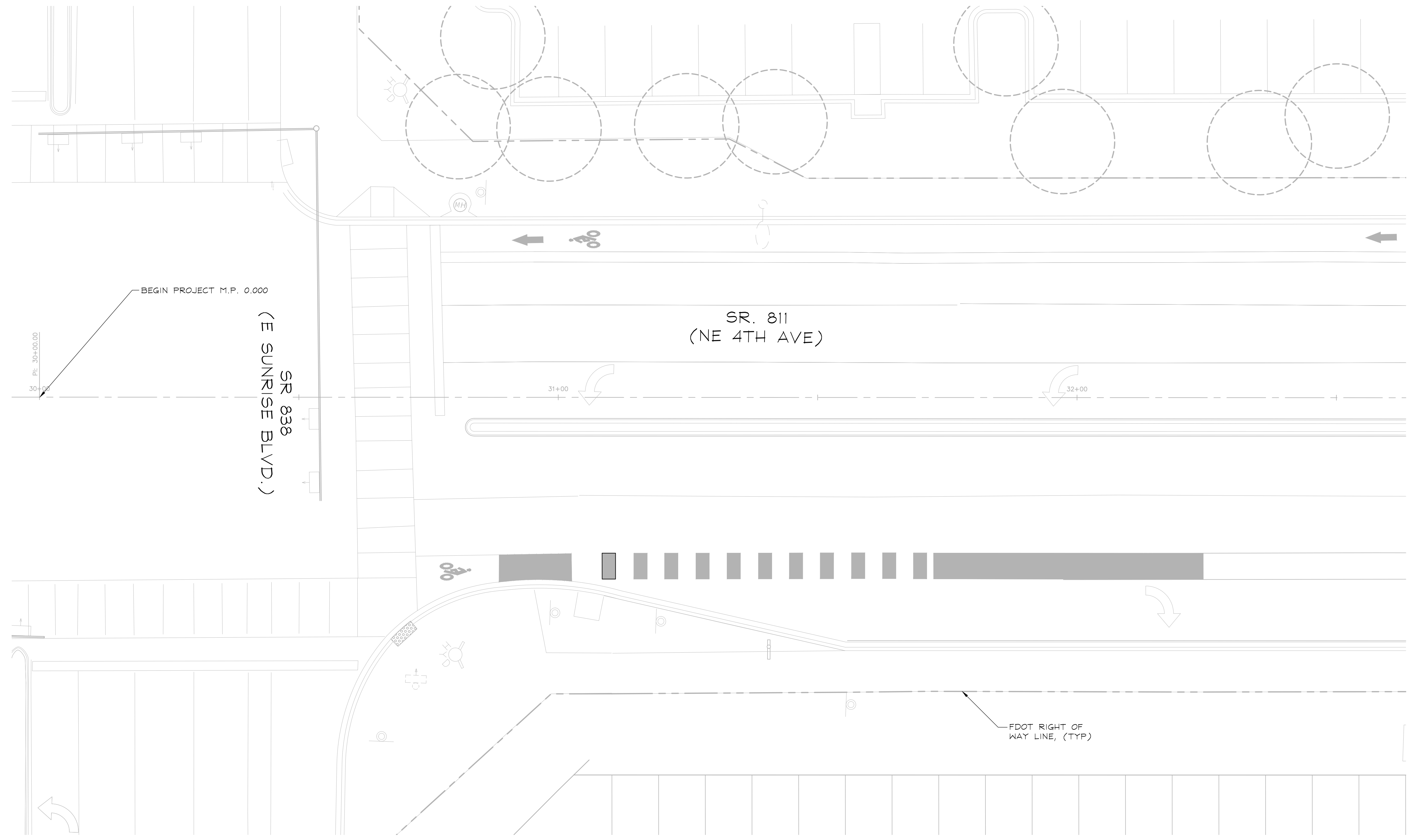
NOTE: SECTION 7-1.4: COMPLIANCE WITH FEDERAL ENDANGERED SPECIES ACT AND OTHER WILDLIFE REGULATIONS OF THE FDOT STANDARD SPECIFICATIONS FOR ROAD AND BRIDGE CONSTRUCTION MANUAL SHOULD BE ADHERED TO FOR WILDLIFE INVOLVEMENT DURING CONSTRUCTION.

VERTICAL DATUM
 ELEVATIONS SHOWN HEREON ARE BASED ON THE NORTH AMERICAN VERTICAL DATUM OF 1988.
 NAVD '88 ELEV. + 1.565' = NGVD '29 ELEVATION

THE PRESENCE OF GROUNDWATER SHOULD BE ANTICIPATED. CONTRACTOR'S BID SHALL INCLUDE CONSIDERATION FOR ADDRESSING THIS ISSUE AND OBTAINING ALL NECESSARY PERMITS.

CALL 2 WORKING DAYS BEFORE YOU DIG 
 IT'S THE LAW! DIAL 811 
 Know what's below. Call before you dig.
 SUNSHINE STATE ONE CALL OF FLORIDA, INC.

Plotted By: Hargrett, Tom Sheet Set: NE 4th Avenue Layout: L2.08 LANDSCAPE PLAN June 29, 2022 09:13:15am K:\WPB_LURC\04318\061 - NE 4th AVE FTL\CAD\Plansheets\L3.00 LANDSCAPE PLAN.dwg



SEE SHEET L4.01 FOR CONTINUATION


NO PROPOSED IMPROVEMENTS, THIS SHEET

Plotted By: Hargrett, Tom Sheet Set: NE 4th Avenue Layout: L4.00 IRRIGATION PLAN June 29, 2022 09:13:41am K:\WPB_URG\043184061 - NE 4th AVE FTL\CAD\Plon\sheet\4.00 IRRIGATION PLAN.dwg

Kimley»Horn
 1920 WEKIVA WAY #200
 WEST PALM BEACH, FL 33411
 PHONE: 561-845-0665 FAX: 561-390-3245
 WWW.KIMLEY-HORN.COM
 REGISTRY 696
 © 2022 KIMLEY-HORN AND ASSOCIATES, INC.

SEAL:
 JONATHAN D. HAIGH, PLA
 STATE LICENSE NUMBER
 LA #6666795
 06/30/2022

DATE:	07/01/2021
DRAWN BY:	AS SHOWN
DESIGNED BY:	AS SHOWN
CHECKED BY:	AS SHOWN
FIELD BOOK:	

CITY OF FORT LAUDERDALE
 TRANSPORTATION & MOBILITY

 250 NE 3RD AVE, FORT LAUDERDALE, FL 33301

REVISIONS		NO.	DATE	BY	DESCRIPTION


PROJECT # 12557
 NE 4TH AVENUE STREETSCAPE PROJECT
 E SUNRISE BLVD TO NE 13TH ST
 FORT LAUDERDALE, FL
 IRRIGATION PLAN

SHEET NO.	L4.00
-----------	-------

VERTICAL DATUM
 ELEVATIONS SHOWN HEREON ARE BASED ON THE
 NORTH AMERICAN VERTICAL DATUM OF 1988.
 NAVD '88 ELEV. + 1.565' = NGVD '29 ELEVATION

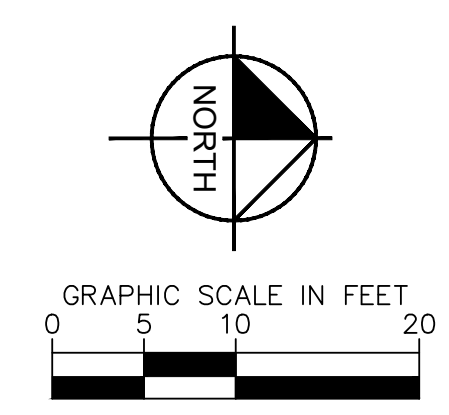
THE PRESENCE OF GROUNDWATER SHOULD BE
 ANTICIPATED. CONTRACTOR'S BID SHALL
 INCLUDE CONSIDERATION FOR ADDRESSING THIS
 ISSUE AND OBTAINING ALL NECESSARY PERMITS.

CALL 2 WORKING DAYS BEFORE YOU DIG



IT'S THE LAW!
 DIAL 811
 Know what's below.
 Call before you dig.

SUNSHINE STATE ONE CALL OF FLORIDA, INC.



Kimley»Horn
 1920 WEKIVA WAY #200
 WEST PALM BEACH, FL 33411
 PHONE: 561-845-0665 FAX: 561-330-2245
 WWW.KIMLEY-HORN.COM
 REGISTRY 696
 © 2022 KIMLEY-HORN AND ASSOCIATES, INC.

SEAL:
 JONATHAN D. HAIGH, PLA
 STATE LICENSE NUMBER
 LA #6666795
 06/30/2022

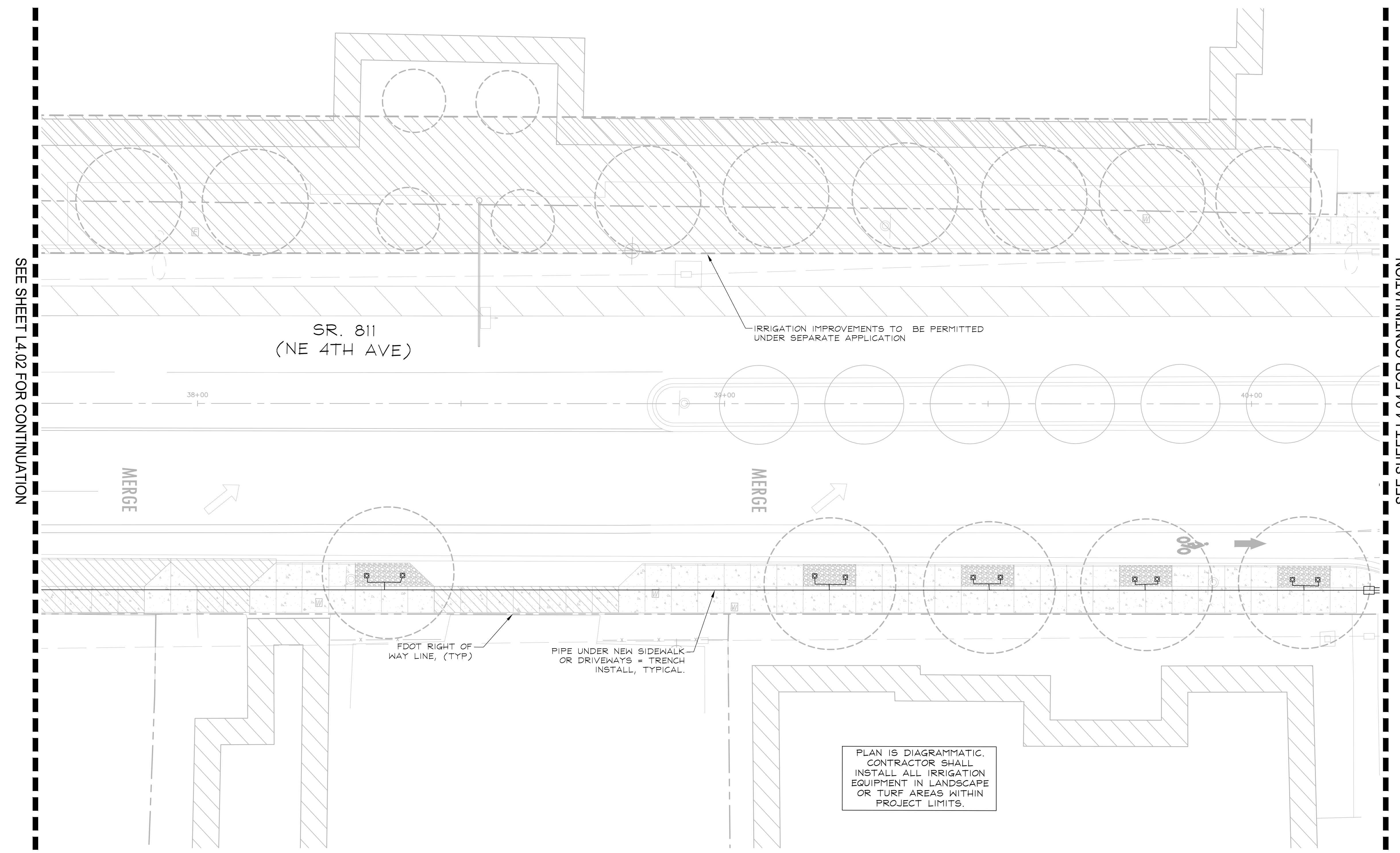
DATE: 07/01/2021
 DRAWN BY: AS
 DESIGNED BY: AS
 CHECKED BY: SHAWN
 FIELD BOOK:

CITY OF FORT LAUDERDALE
 TRANSPORTATION & MOBILITY
 290 NE 3RD AVE., FORT LAUDERDALE, FL 33301

NO.	DATE	BY	DESCRIPTION

PROJECT # 12557
 NE 4TH AVENUE STREETSCAPE PROJECT
 E SUNRISE BLVD TO NE 13TH ST
 FORT LAUDERDALE, FL
 IRRIGATION PLAN

SHEET NO.
L4.03



PLAN IS DIAGRAMMATIC.
 CONTRACTOR SHALL
 INSTALL ALL IRRIGATION
 EQUIPMENT IN LANDSCAPE
 OR TURF AREAS WITHIN
 PROJECT LIMITS.

IRRIGATION SCHEDULE

SYMBOL	MANUFACTURER/MODEL
▲	Rain Bird RWS-B-C 1401
△	Rain Bird PESB
□	Backflow Preventer 1"
○	Backflow Preventer 1"
○	Backflow Preventer 1"
○	Backflow Preventer 1"
□	K-Rain BL-KRI
—	Irrigation Lateral Line: PVC Schedule 40
—	Irrigation Mainline: PVC Schedule 40
---	Pipe Sleeve: See Sleeve Legend

SLEEVE LEGEND:

HDD	= HORIZONTAL DIRECTIONAL DRILL (HDPE PIPE)
TR	= REMOVE AND REPLACE SIDEWALK, TRENCH SLEEVES IN PLACE (PVC SCH 40)
JET	= MISSILE BORE OR WATER JET SLEEVE UNDER SIDEWALK (PVC SCH 40)
(X) X" XXX	SLEEVE TYPE (SEE ABOVE)
---	SLEEVE SIZE
---	NUMBER OF SLEEVES

FDOT IRRIGATION NOTES:

- REFER TO SHEET C0.01 FOR FDOT IRRIGATION NOTES.

VERTICAL DATUM
 ELEVATIONS SHOWN HEREON ARE BASED ON THE
 NORTH AMERICAN VERTICAL DATUM OF 1988.
 NAVD '88 ELEV. + 1.565' = NGVD '29 ELEVATION

THE PRESENCE OF GROUNDWATER SHOULD BE
 ANTICIPATED. CONTRACTOR'S BID SHALL
 INCLUDE CONSIDERATION FOR ADDRESSING THIS
 ISSUE AND OBTAINING ALL NECESSARY PERMITS.

CALL 2 WORKING DAYS
 BEFORE YOU DIG

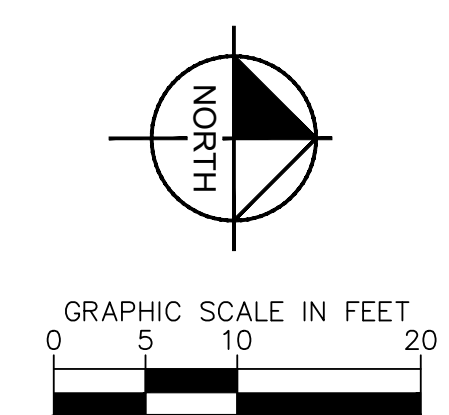
811

IT'S THE LAW!
 DIAL 811

Know what's below.
 Call before you dig.

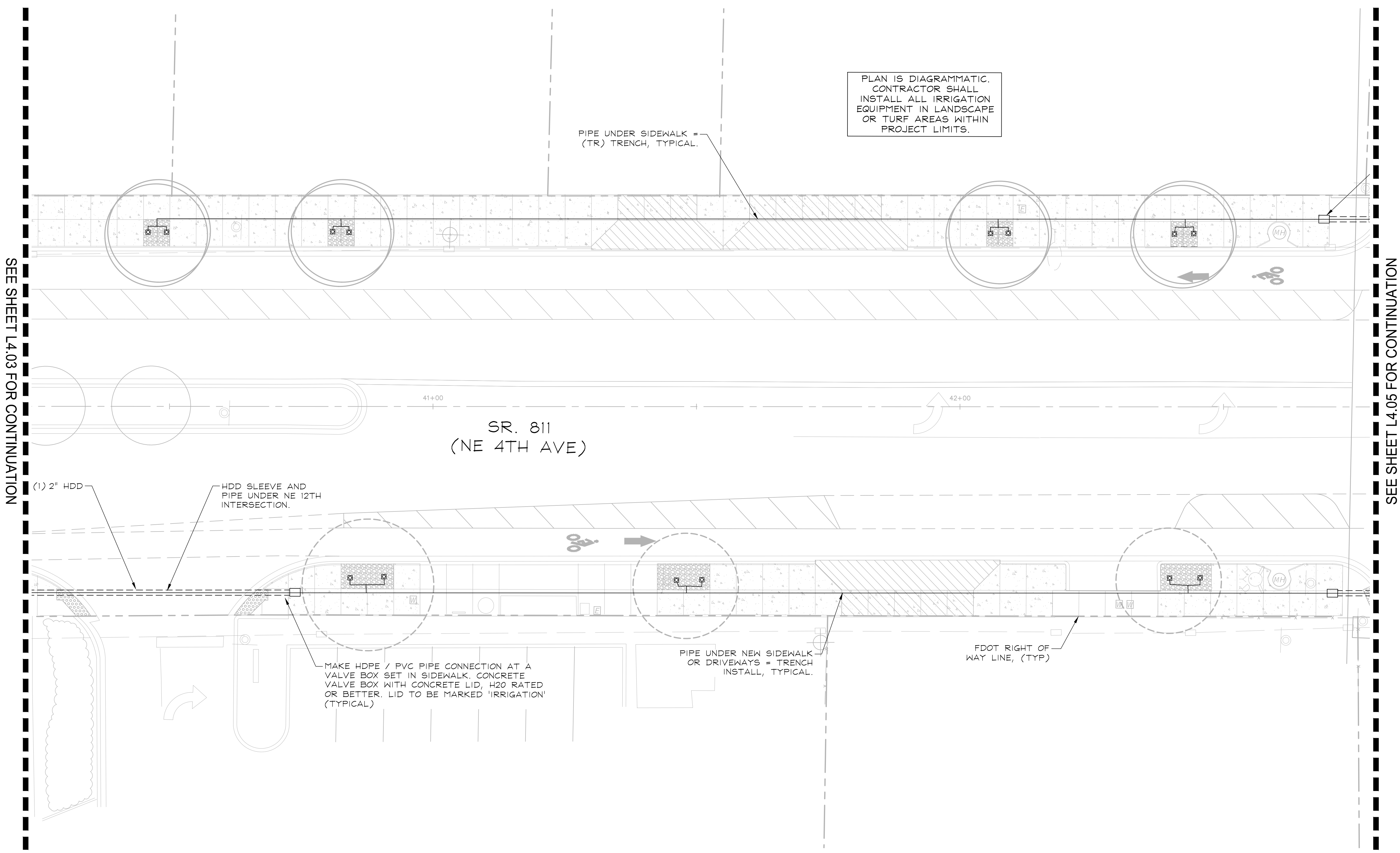
SUNSHINE STATE ONE CALL OF FLORIDA, INC.

Plotted By: Hargrett, Tom Sheet Set: NE 4th Avenue Layout: L4.03 IRRIGATION PLAN June 29, 2022 09:14:06am K:\WPB_URC\043184061 - NE 4th Ave FTL\CAD\Pion\sheet\L4.00 IRRIGATION PLAN.dwg



PLAN IS DIAGRAMMATIC.
CONTRACTOR SHALL
INSTALL ALL IRRIGATION
EQUIPMENT IN LANDSCAPE
OR TURF AREAS WITHIN
PROJECT LIMITS.

PIPE UNDER SIDEWALK =
(TR) TRENCH, TYPICAL.



SEE SHEET L4.03 FOR CONTINUATION

SEE SHEET L4.05 FOR CONTINUATION

IRRIGATION SCHEDULE

SYMBOL	MANUFACTURER/MODEL
▲ □ △ □	Rain Bird RWS-B-C 1401
1401 1402 1404 1408	
SYMBOL	MANUFACTURER/MODEL
☉	Rain Bird PESB
⊕	Backflow Preventer 1"
⊕	Backflow Preventer 1"
⊕	Backflow Preventer 1"
⊕	Backflow Preventer 1"
⊕	K-Rain BL-KRI
—	Irrigation Lateral Line: PVC Schedule 40
—	Irrigation Mainline: PVC Schedule 40
---	Pipe Sleeve: See Sleeve Legend

SLEEVE LEGEND:

HDD = HORIZONTAL DIRECTIONAL DRILL (HDPE PIPE)

TR = REMOVE AND REPLACE SIDEWALK, TRENCH SLEEVES IN PLACE (PVC SCH 40)

JET = MISSILE BORE OR WATER JET SLEEVE UNDER SIDEWALK (PVC SCH 40)

(X) X" XXX

— SLEEVE TYPE (SEE ABOVE)

— SLEEVE SIZE

— NUMBER OF SLEEVES

FDOT IRRIGATION NOTES:

1. REFER TO SHEET C0.01 FOR FDOT IRRIGATION NOTES.

VERTICAL DATUM
ELEVATIONS SHOWN HEREON ARE BASED ON THE
NORTH AMERICAN VERTICAL DATUM OF 1988.
NAVD '88 ELEV. + 1.565' = NGVD '29 ELEVATION

THE PRESENCE OF GROUNDWATER SHOULD BE
ANTICIPATED. CONTRACTOR'S BID SHALL
INCLUDE CONSIDERATION FOR ADDRESSING THIS
ISSUE AND OBTAINING ALL NECESSARY PERMITS.

CALL 2 WORKING DAYS
BEFORE YOU DIG

IT'S THE LAW!
DIAL 811

Know what's below.
Call before you dig.

SUNSHINE STATE ONE CALL OF FLORIDA, INC.

Kimley»Horn
1920 WEKIVA WAY #200
WEST PALM BEACH, FL 33411
PHONE: 561-845-0665 FAX:
561-330-2245
WWW.KIMLEY-HORN.COM
REGISTRY 696
© 2022 KIMLEY-HORN AND
ASSOCIATES, INC.

SEAL:
JONATHAN D. HAIGH, PLA
STATE LICENSE NUMBER
LA #6666795
06/30/2022

DATE: 07/01/2021
DRAWN BY: AS
DESIGNED BY: AS
CHECKED BY: SHAWN
FIELD BOOK:

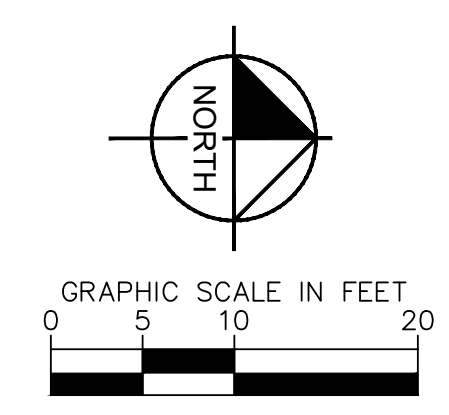
CITY OF FORT LAUDERDALE
TRANSPORTATION
&
MOBILITY

290 NE 3RD AVE., FORT LAUDERDALE, FL 33301

REVISIONS		DESCRIPTION
NO.	DATE	BY (REV)

PROJECT # 12557
NE 4TH AVENUE STREETSCAPE PROJECT
E SUNRISE BLVD TO NE 13TH ST
FORT LAUDERDALE, FL
IRRIGATION PLAN

SHEET NO.
L4.04



Kimley»Horn
 1920 WEKIVA WAY #200
 WEST PALM BEACH, FL 33411
 PHONE: 561-845-0665 FAX: 561-330-2245
 WWW.KIMLEY-HORN.COM
 REGISTRY 696
 © 2022 KIMLEY-HORN AND ASSOCIATES, INC.

SEAL:
 JONATHAN D. HAIGH, PLA
 STATE LICENSE NUMBER
 LA #6666795
 06/30/2022

DATE: 07/01/2021
 DESIGNED BY: JAS
 CHECKED BY: SHAWN
 FIELD BOOK:

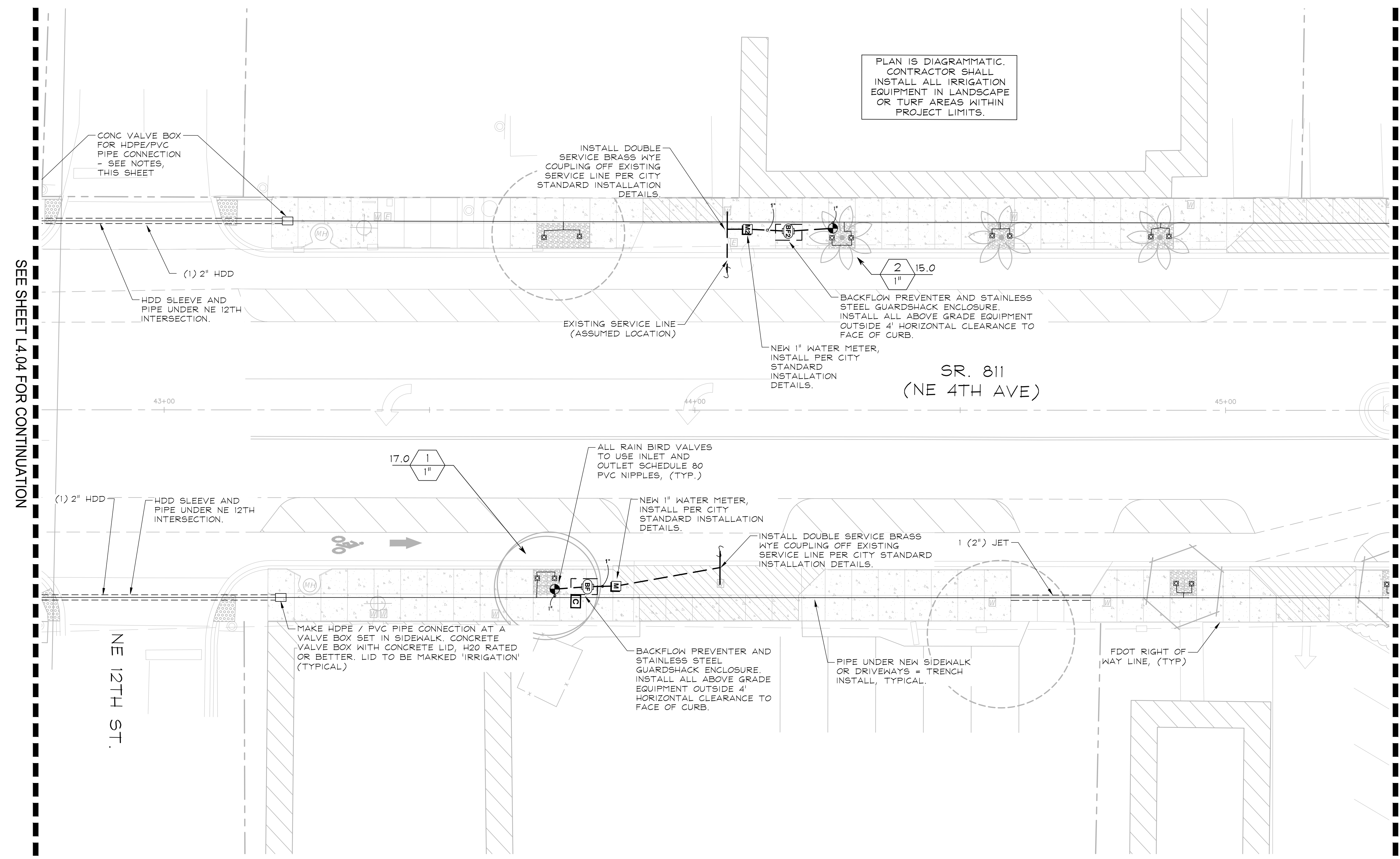
CITY OF FORT LAUDERDALE
 TRANSPORTATION & MOBILITY

 290 NE 3RD AVE, FORT LAUDERDALE, FL 33301

NO.	DATE	BY	DESCRIPTION

PROJECT # 12557
 NE 4TH AVENUE STREETSCAPE PROJECT
 E SUNRISE BLVD TO NE 13TH ST
 FORT LAUDERDALE, FL
 IRRIGATION PLAN

SHEET NO.
L4.05



PLAN IS DIAGRAMMATIC.
 CONTRACTOR SHALL
 INSTALL ALL IRRIGATION
 EQUIPMENT IN LANDSCAPE
 OR TURF AREAS WITHIN
 PROJECT LIMITS.

SEE SHEET L4.04 FOR CONTINUATION

SEE SHEET L4.06 FOR CONTINUATION

IRRIGATION SCHEDULE

SYMBOL	MANUFACTURER/MODEL
▲ □ △ □	Rain Bird RWS-B-C 1401
▲ □ △ □	1401 1402 1404 1408
SYMBOL	MANUFACTURER/MODEL
	Rain Bird PESB
	Backflow Preventer 1"
	Backflow Preventer 1"
	Backflow Preventer 1"
	K-Rain BL-KRI
---	Irrigation Lateral Line: PVC Schedule 40
---	Irrigation Mainline: PVC Schedule 40
---	Pipe Sleeve: See Sleeve Legend

SLEEVE LEGEND:
 HDD = HORIZONTAL DIRECTIONAL DRILL (HDPE PIPE)
 TR = REMOVE AND REPLACE SIDEWALK, TRENCH SLEEVES IN PLACE (PVC SCH 40)
 JET = MISSLE BORE OR WATER JET SLEEVE UNDER SIDEWALK (PVC SCH 40)
 (X) X" XXX
 SLEEVE TYPE (SEE ABOVE)
 SLEEVE SIZE
 NUMBER OF SLEEVES

FDOT IRRIGATION NOTES:
 1. REFER TO SHEET C0.01 FOR FDOT IRRIGATION NOTES.

VERTICAL DATUM
 ELEVATIONS SHOWN HEREON ARE BASED ON THE NORTH AMERICAN VERTICAL DATUM OF 1988.
 NAVD '88 ELEV. + 1.565' = NGVD '29 ELEVATION

THE PRESENCE OF GROUNDWATER SHOULD BE ANTICIPATED. CONTRACTOR'S BID SHALL INCLUDE CONSIDERATION FOR ADDRESSING THIS ISSUE AND OBTAINING ALL NECESSARY PERMITS.

CALL 2 WORKING DAYS BEFORE YOU DIG
811
 IT'S THE LAW!
 DIAL 811
 Know what's below.
 Call before you dig.
 SUNSHINE STATE ONE CALL OF FLORIDA, INC.