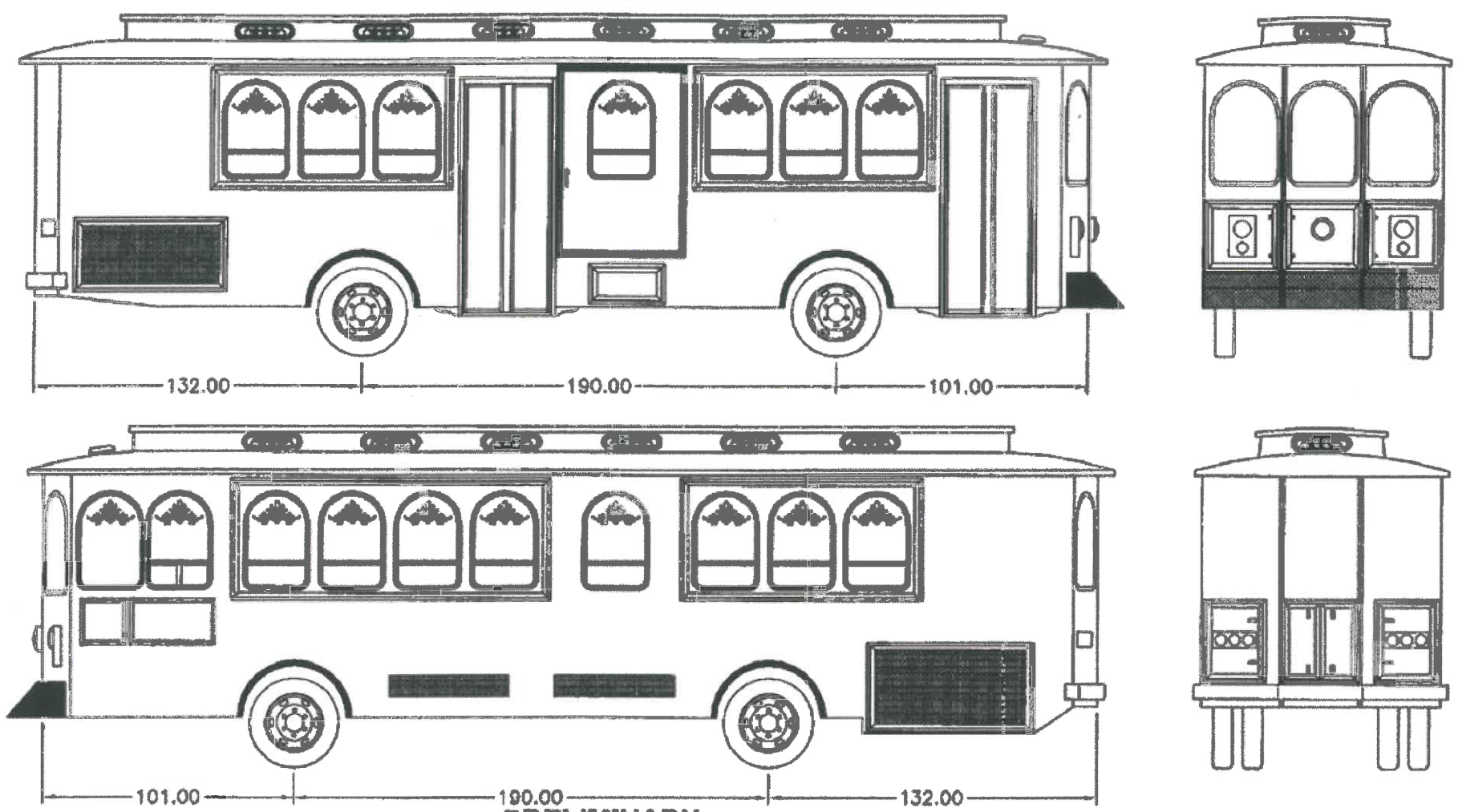


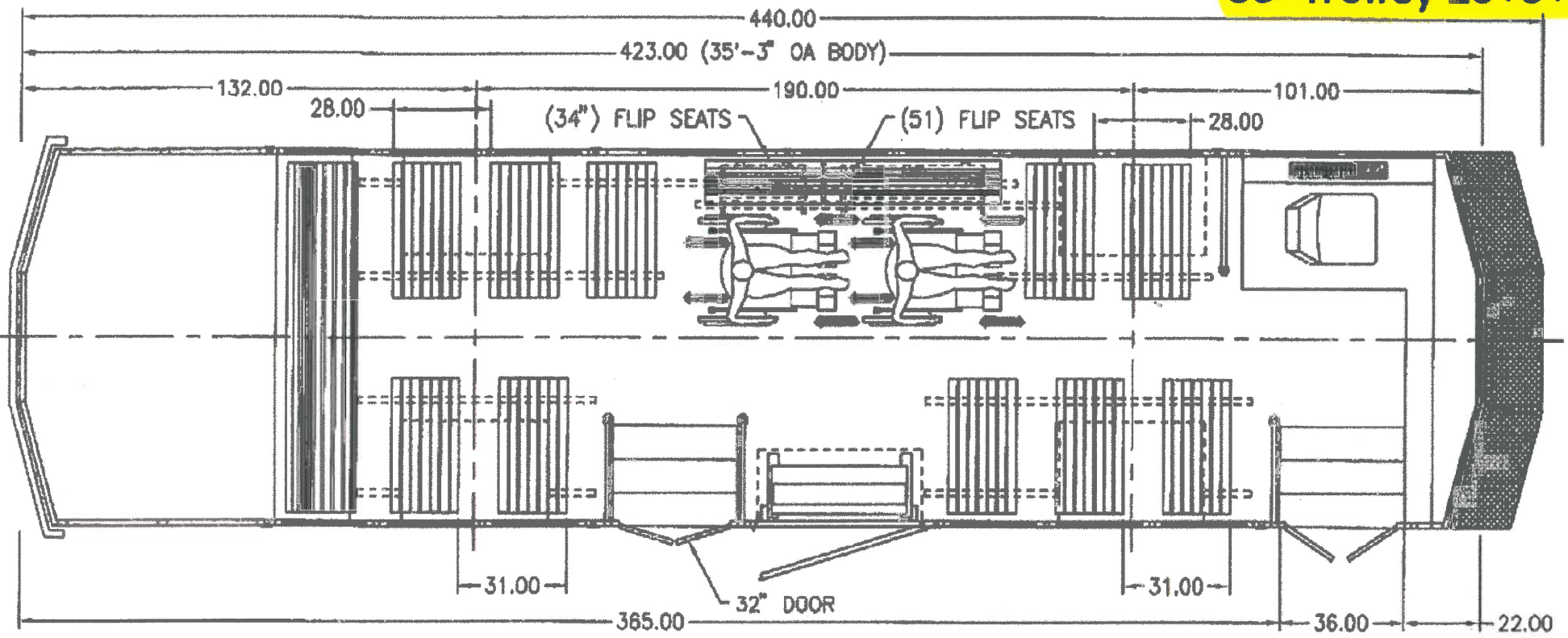
35' Exterior Elevation



PRELIMINARY
NON-PRODUCTION PRINT
FOR R&D USE ONLY
 10/24/14

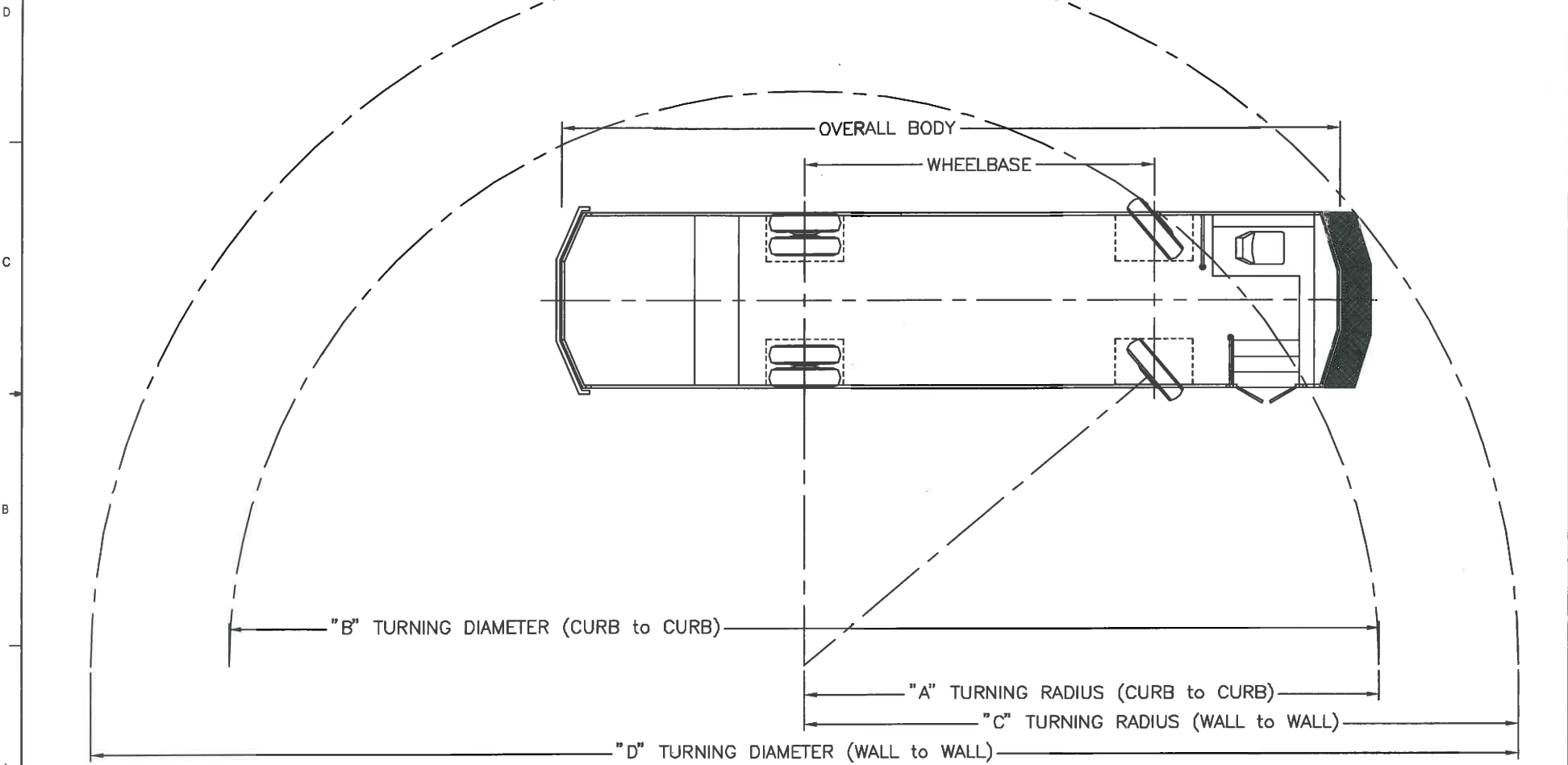
STANDARD TOLERANCE UNLESS OTHERWISE SPECIFIED, DIMENSIONS ARE IN INCHES				CABINET EXTENSION SYSTEMS	
ASSY QTY 1.00 1.00 1.00 1.00 1.00	APPROVED DATE	WEIGHT PART NO.	PRICE \$	TROLLEY SERIES 100	PART NO. 100-100-01
QUOTE			DATE		

35' Trolley 25+5+2



MODEL	BODY	W/B	"A"	"B"	"C"	"D"	REV.	ECN	ECD	DESCRIPTION	DATE	BY
TR33-84	32'-9"	160"	23'-2"	46'-4"	29'-1"	58'-2"	B			UPDATED TO NEW TITLE BLOCK & DWG STD	10-30-14	BW
TR35-84	35'-3"	190"	26'-0"	52'-0"	32'-4"	64'-8"						
TR37-84	36'-9"	208"	27'-11"	55'-10"	34'-3"	68'-6"						

REVISED
10/30/14



STANDARD TOLERANCE UNLESS OTHERWISE SPECIFIED. DIMENSIONS ARE IN INCHES		FC		CUSTOMER: #####	
ASSY DIMS ± 0.13"	DRAWN BW 11/17/08	TITLE: TURNING RADIUS CHART - TROLLEY		#####	
XX ± 0.1"	APPROVED #####	SERIES: TROLLEY SERIES	MODEL: FREIGHTLINER R.E.		
XXX ± 0.05"	WEIGHT #####	SIZE: B	FILE LOC: t:\drawings\production\trolley\misc		
XXX ± 0.063"	FINISH #####	SCALE: 1:20	DWG#: 103192		
ANGULAR ± 1.0°	MATERIAL #####	REV/ECN: B	PART NO: #####	#####	